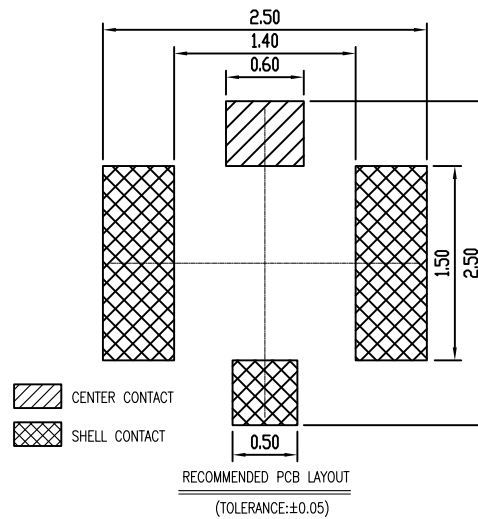
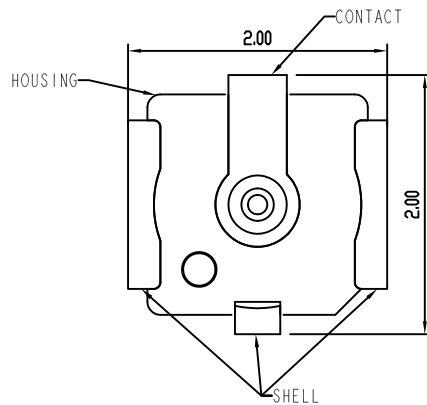
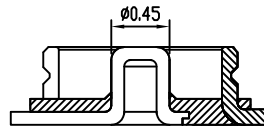
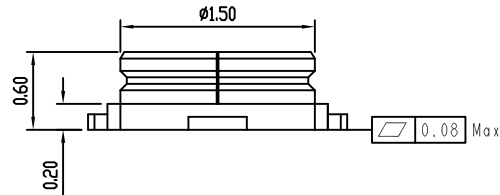
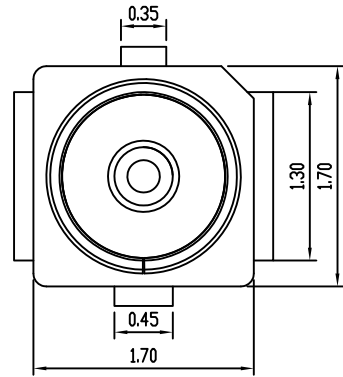


REV	ECR#	DESCRIPTION	DRAWN/DATE	CHECKED/DATE	APPROVED/DATE
A					

NOTES :

- 1.0. RATING :
 - 1.1. VOITAGE :60 VAC (R.M.S.)
 - 1.2. NOMINAL CHARACTERISTIC IMPEDANCE: 50 Ohm
 - 1.3. APPLICABLE FREQUENCY: DC ~ 6GHz
 - 1.4. VSWR: 1.3 MAX. (DC~3GHz), 1.5 MAX. (3~6GHz)
 - 1.5. TEMPERATURE : -40°C TO +85°C
- 2.0. ALL DIMENSIONS SHOULD BE CONTROLLED IN FAI.:
- 3.0. MARKED ∇ SHOULD BE CONTROLLED BY QIP.:
- 4.0. MATERIAL SEE BILL OF MATERIAL :



CONTROL POINT FAI : to	TOLERANCES UNLESS OTHERWISE SPECIFIED GENERAL X ±0.30 XX ±0.20 XXX ±0.10 XXX ±0.05	DRAWING	DATE		
		DESIGN	DATE		
CRITICAL (Cpk & Cp) : DX = Places	ANGLES X ±30° XX ±20° XXX ±10°	CHECK	DATE		TITLE IPEX 内针 四代板端 IPEX4座子
MAJOR (QC CHECKED) : = Places	SCALE 1:1	APPROVED	DATE		SERIES BX-RF3-1.5Z0.6H SIZE A3
TOOL DESIGN DIMENSION : = Places	SHEET 1/1	3D FILE		DRAWING NO	
EVALUATE REPORTES NUMBER	UNIT mm			REV A	