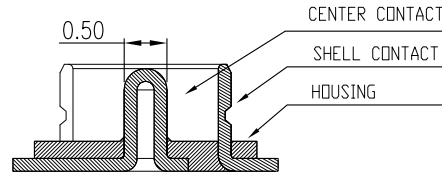
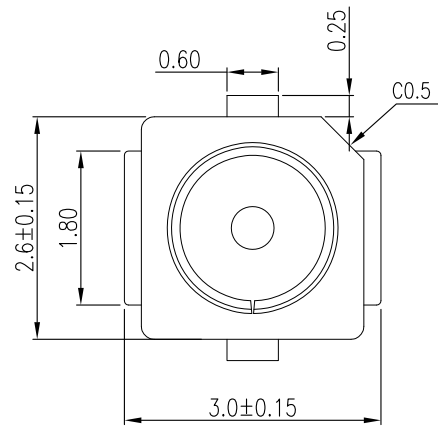


REV	ECR#	DESCRIPTION	DRAWN/DATE	CHECKED/DATE	APPROVED/DATE
A0	~	ADD NEW SPECIFICATIONS			
A1		ADD COLOR OF HOUSING			

A  
B  
C  
D  
E  
F



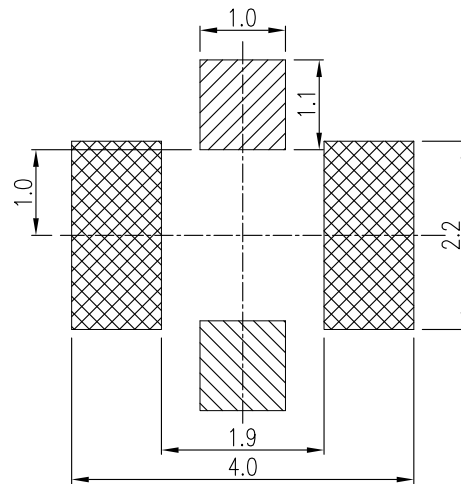
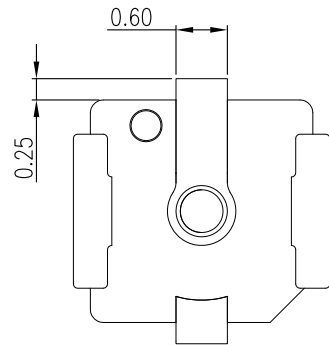
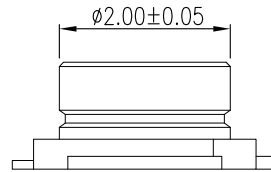
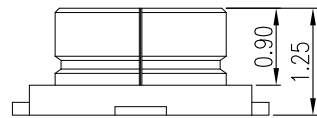
NOTES :

1.0. RATING :

- 1.1. VOITAGE :60 VAC (R.M.S.)
- 1.2. NOMINAL CHARACTERISTIC IMPEDANCE: 50 Ohm
- 1.3. APPLICABLE FREQUENCY: DC ~ 6GHz
- 1.4. VSWR: 1.3 MAX. (DC~3GHz), 1.5 MAX. (3~6GHz)
- 1.5. TEMPERATURE : -40°C TO +85°C
- 1.6. APPLIED TO IR SOLDERING PROCESS

2.0. MATERIAL SEE BILL OF MATERIAL :

- 2.1.HOUSING: THERMOPLASTIC,UL94V-0,
- 2.2.CENTER CONTACT : COPPER ALLOY.
- 2.3.SHELL CONTACT: COPPER ALLOY.



RECOMMENDED PCB LAYOUT  
(TOLERANCE:±0.05)

CENTER CONTACT  
 GROUND CONTACT

PRODUCT SPEC:  
PACKAGE SPEC:

CONTROL POINT FAI : to	TOLERANCES UNLESS OTHERWISE SPECIFIED GENERAL X ±0.30 XX ±0.25 XXX ±0.15 ANGLES X° ±3.0° XX° ±2.0° XXX° ±1.0°	DRAWING	DATE	
		DESIGN	DATE	
CRITICAL (Cpk & Cp) :		CHECK	DATE	
EX) = Places		APPROVED	DATE	
MAJOR (QC CHECKED) :		3D FILE		
▼ = Places				
TOOL DESIGN DIMENSION :	SCALE 1:1			TITLE
[ T DIM ] = Places	SHEET 1/1			IPEX 内针 二代板端 IPEX2座子
EVALUATE REPORTES NUMBER	UNIT mm			SERIES BX-RF2-2Z1.25H
NUMBER				SIZE A3
				DRAWING NO
				REV A1

A  
B  
C  
D  
E  
F