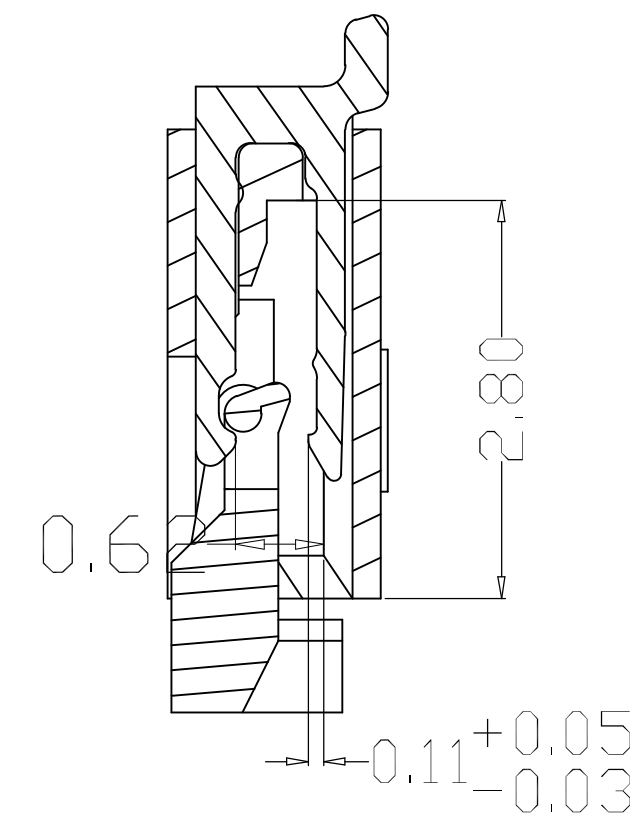
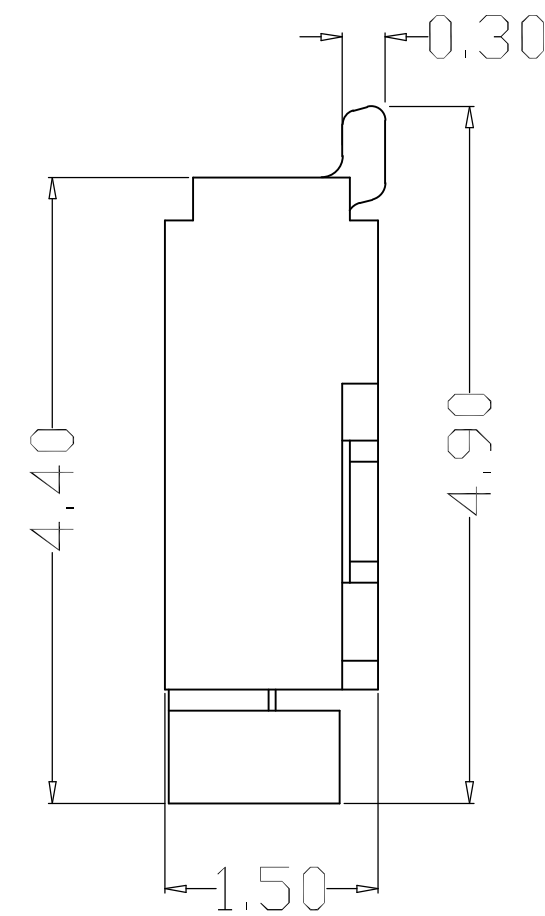
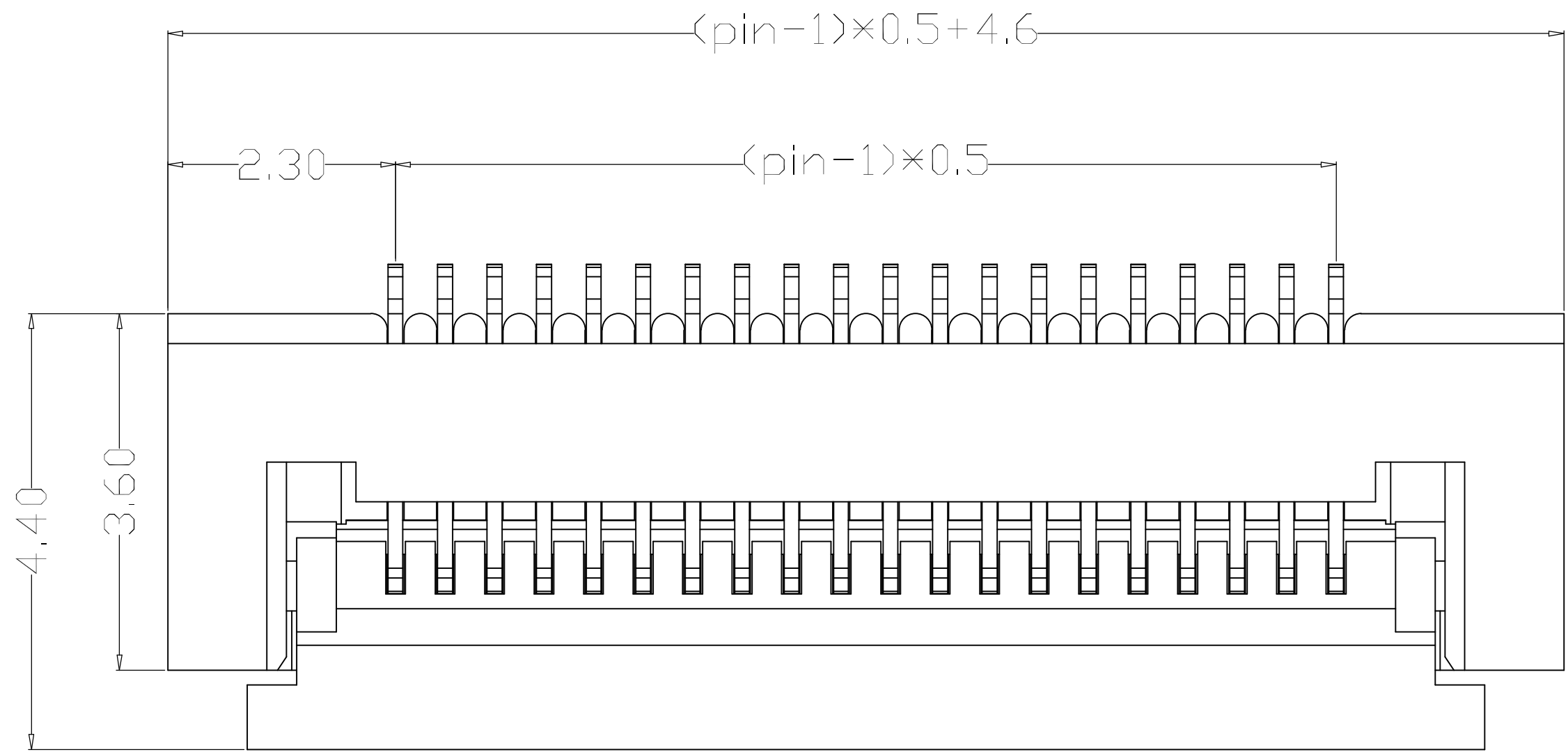
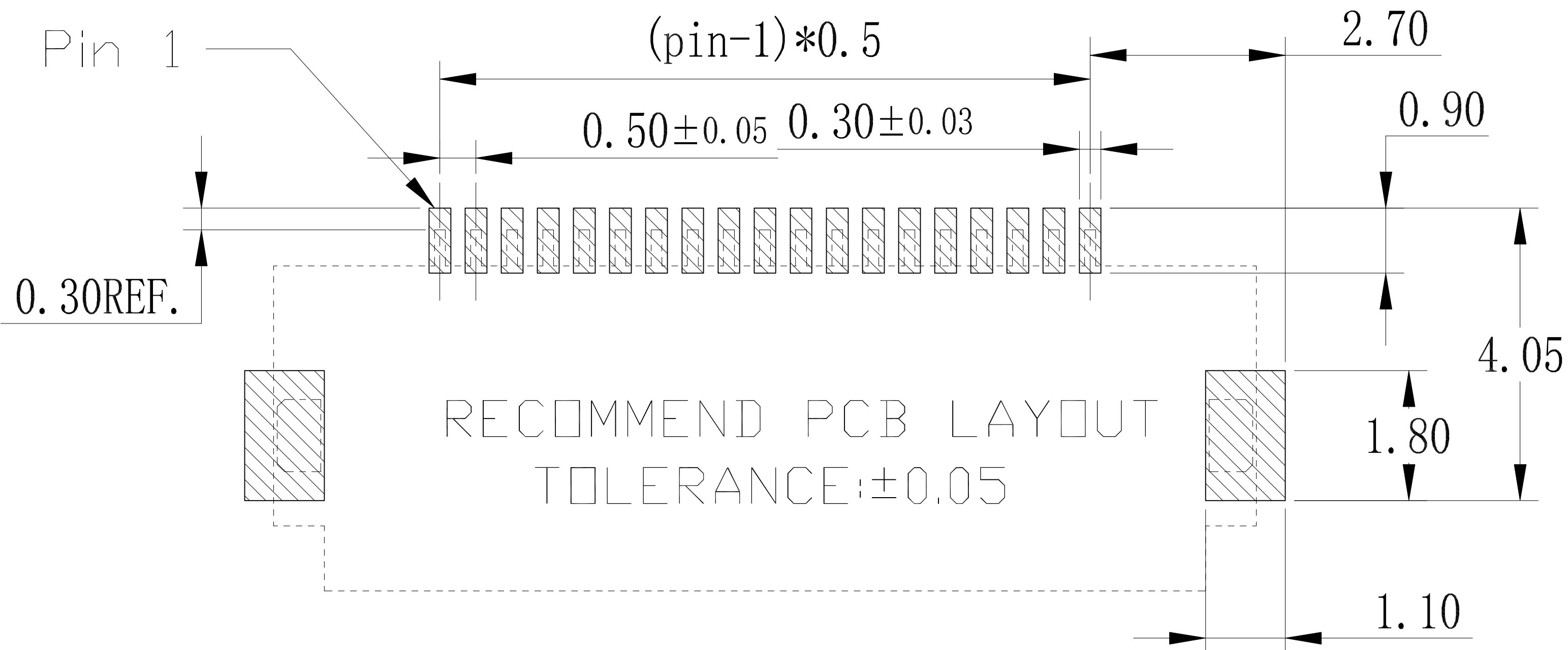
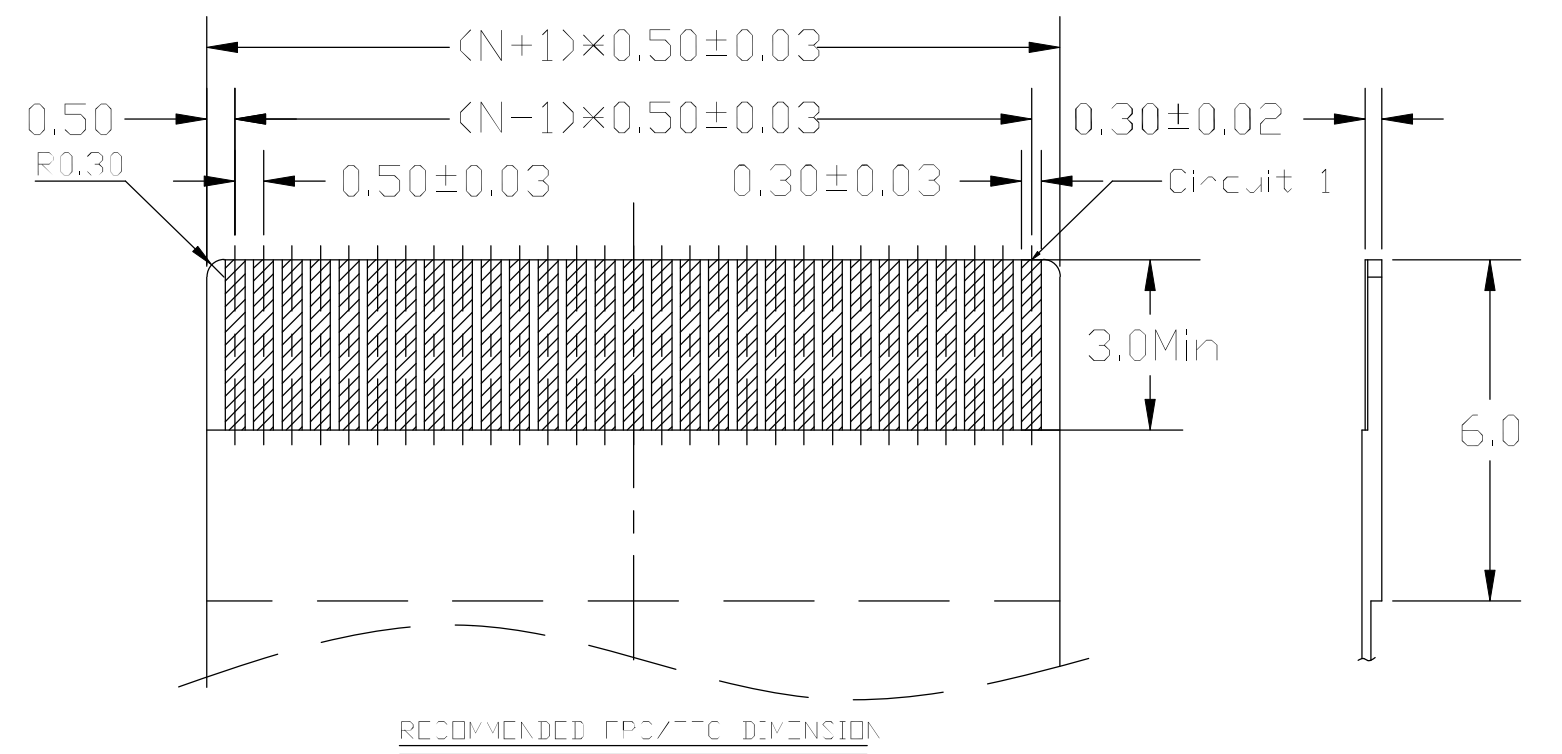
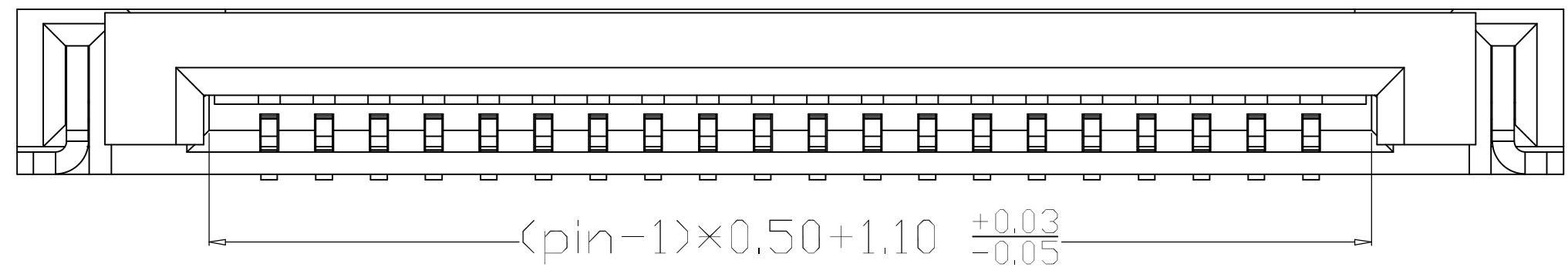


REV.	DESCRIPTION	APPD.	DATE



NOTES:

- MATERIAL:
HOUSING: HIGH TEMPERATURE THERMOPLASTIC
UL94V_0, COLOR:BLACK.
CONTACT: COPPER ALLOYS.
- PLATING:
UNDERPLATE: NICKEL.
CONTACT AREA: TIN OVER NICKEL.
- MULTIMEDIA CARD COMPATIBLE



PART NO:		MATERIAL:		Bossie (博锡)	
LOT NO:		FINISH:			
UNIT: MM	SIZE: A4	COLOR:		TITLE: 0.5mm P数: 30 翻盖式 下接	
TOLERANCES: X. X=±0.35 X. XX=±0.25 X. XXX=±0.15		GENERAL ANGLE: X. X=±3.0° X. XX=±2.0°		DR:	DWG NO: BX-FPC05-1.5H30PX
		CHK: Zhou qi		APP:	REV: C/0
		SCALE: 1:1		SHEET: 1 OF 1	