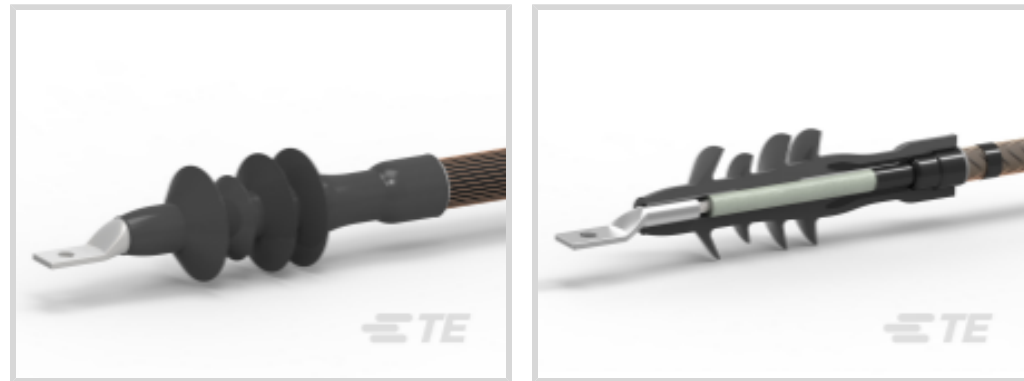




Energy & Power > Power Cable Accessories > Power Cable Terminations > Cold Shrink Terminations



Power Cable Termination Product Availability: **AMERICAS**

Installation Instruction: **English**

Power Cable Termination Technology: **Cold Applied, Cold Shrink**

Power Cable Termination Voltage Class: **≤ 28 kV**

Cable Shield Style: **JCN**

[All Cold Shrink Terminations \(48\)](#)

Features

Product Type Features

Compression Lug Included (Shield)	No
Compression Lug Included (Conductor)	No
Power Cable Termination Technology	Cold Applied, Cold Shrink
Cable Shield Style	JCN
Insulation	Plastic (XLPE)
Mechanical Connectors Included	No

Configuration Features

Number of Cores	1
-----------------	---

Electrical Characteristics

Power Cable Termination Voltage Class	≤ 28 kV
---------------------------------------	---------

Dimensions

	2 – 4/0 AWG/kcmil
Power Cable Termination Insulation Diameter	16.5 – 27 mm[.65 – 1.062 in]
Shed Inside Diameter	73.66 mm[2.9 in]
Sheath Outside Diameter	27.94 mm[1.1 in]
Length (Installed)	320.04 mm[12.6 in]



Operation/Application

Application Type	Outdoor
------------------	---------

Industry Standards

Design Specification	HD CENELEC 629.1, IEEE 48
----------------------	---------------------------

Product Availability

Power Cable Termination Product Availability	AMERICAS
--	----------

Other

Installation Instruction	English
--------------------------	---------

Product Compliance

[For compliance documentation, visit the product page on TE.com>](#)

EU RoHS Directive 2011/65/EU	Compliant
EU ELV Directive 2000/53/EC	Out of Scope
China RoHS 2 Directive MIIT Order No 32, 2016	No Restricted Materials Above Threshold
EU REACH Regulation (EC) No. 1907/2006	Current ECHA Candidate List: JUNE 2023 (235) Candidate List Declared Against: JUN 2016 (169) SVHC > Threshold: Not Yet Reviewed
Halogen Content	Low Halogen - Br, Cl, F, I < 900 ppm per homogenous material. Also BFR/CFR/PVC Free
Solder Process Capability	Not applicable for solder process capability

Product Compliance Disclaimer


This information is provided based on reasonable inquiry of our suppliers and represents our current actual knowledge based on the information they provided. This information is subject to change. The part numbers that TE has identified as EU RoHS compliant have a maximum concentration of 0.1% by weight in homogenous materials for lead, hexavalent chromium, mercury, PBB, PBDE, DBP, BBP, DEHP, DIBP, and 0.01% for cadmium, or qualify for an exemption to these limits as defined in the Annexes of Directive 2011/65/EU (RoHS2). Finished electrical and electronic equipment products will be CE marked as required by Directive 2011/65/EU. Components may not be CE marked. Additionally, the part numbers that TE has identified as EU ELV compliant have a maximum concentration of 0.1% by weight in homogenous materials for lead, hexavalent chromium, and mercury, and 0.01% for cadmium, or qualify for an exemption to these limits as defined in the Annexes of Directive 2000/53/EC (ELV). Regarding the REACH Regulations, TE's information on SVHC in articles for this part number is still based on the European Chemical Agency (ECHA) 'Guidance on requirements for substances in articles' (Version: 2, April 2011), applying the 0.1% weight on weight concentration threshold at the finished product level. TE is aware of the European Court of Justice ruling of September 10th, 2015 also known as O5A (Once An Article Always An Article) stating that, in case of 'complex object', the threshold for a SVHC must be applied to both the product as a whole and simultaneously to each of the articles forming part of its composition. TE has evaluated this ruling based on the new ECHA "Guidance on requirements for substances in articles" (June 2017, version 4.0) and will be updating its statements accordingly.



Compatible Parts




TE Part # CAT-BLMT
Mechanical Lugs: up to 84 kV



TE Part # CAT-CABLE-BREAKOUT
HEAT SHRINK HALOGEN-FREE
CABLE BREAKOUTS

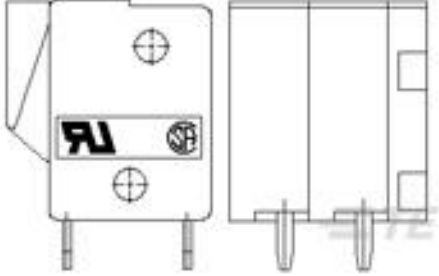
TE Part # CAT-ALROC-TOOLING
ALROC Cable Preparation Tooling

Also in the Series | RAYCHEM CSTO

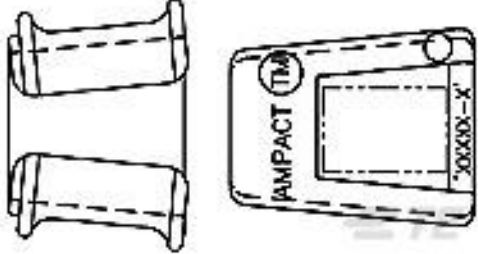


Power Cable Terminations(30)

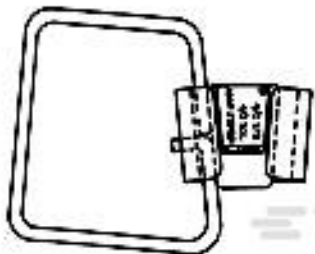
Customers Also Bought



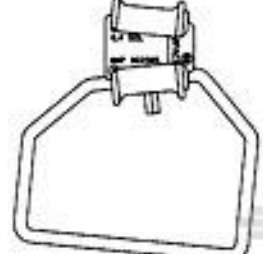
TE Part #1776259-8
Bd Mt Screwless, 5.0mm Top Wir



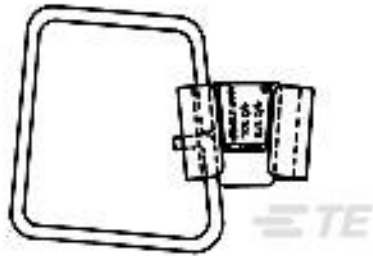
TE Part #1-602031-6
AMPACT Tap 477-4/0,556.5-2/0



TE Part #600474
STIRRUP 1/0AWG YL CD AMPACT

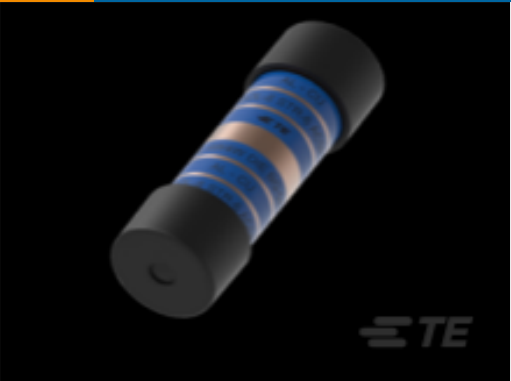


TE Part #602586
STIRRUP #2 TYPE II AMPACT



TE Part #600468
AMPACT STIRRUP ASSY

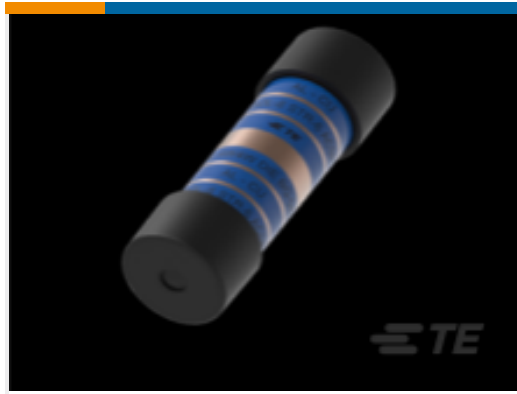
TE Part #EN3750-019
TATL2-4/0-1/2-U



TE Part #EN3750-577
TIL-4W6W



TE Part #EN3750-583
TIL-2R4W



TE Part #EN3750-584
TIL-2R2W

Documents

Product Drawings

[CSTO-282J](#)

English

Datasheets & Catalog Pages

[TE's Raychem Cold Shrink Terminations CST Data Sheet - IEEE404](#)

English