

PART NO.	ENGINEERING NO.	FINISHED LENGTH
1201080574	E16A06017M005	0.5M [19.7"]
1201080575	E16A06017M010	1.0M [3'3"]
1201080661	E16A06017M100	10.0M [32'10"]

CABLE LENGTH TOLERANCES

>.3M [1FT]: +19mm-0 [+0.75in-0]

.3 - .9M [1 - 3FT]: +44.5mm-0 [+1.75in-0]

.9 - 1.8M [3 - 6FT]: +55.6mm-0 [+2.19in-0]

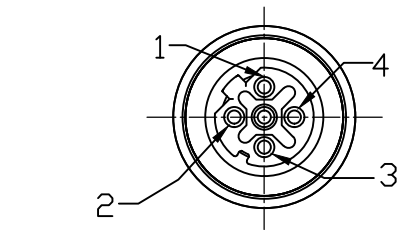
1.8 - 3.7M [6 - 12FT]: +88.9mm-0 [+3.50in-0]

3.7 - 7.3M [12 - 24FT]: +165.1mm-0 [+6.50in-0]

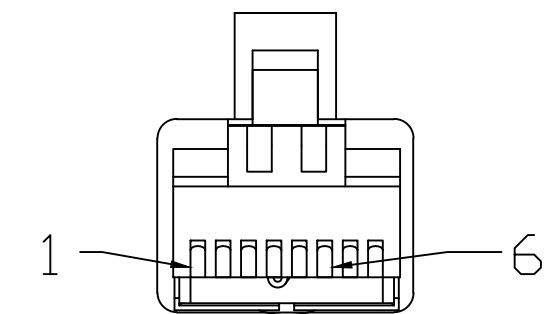
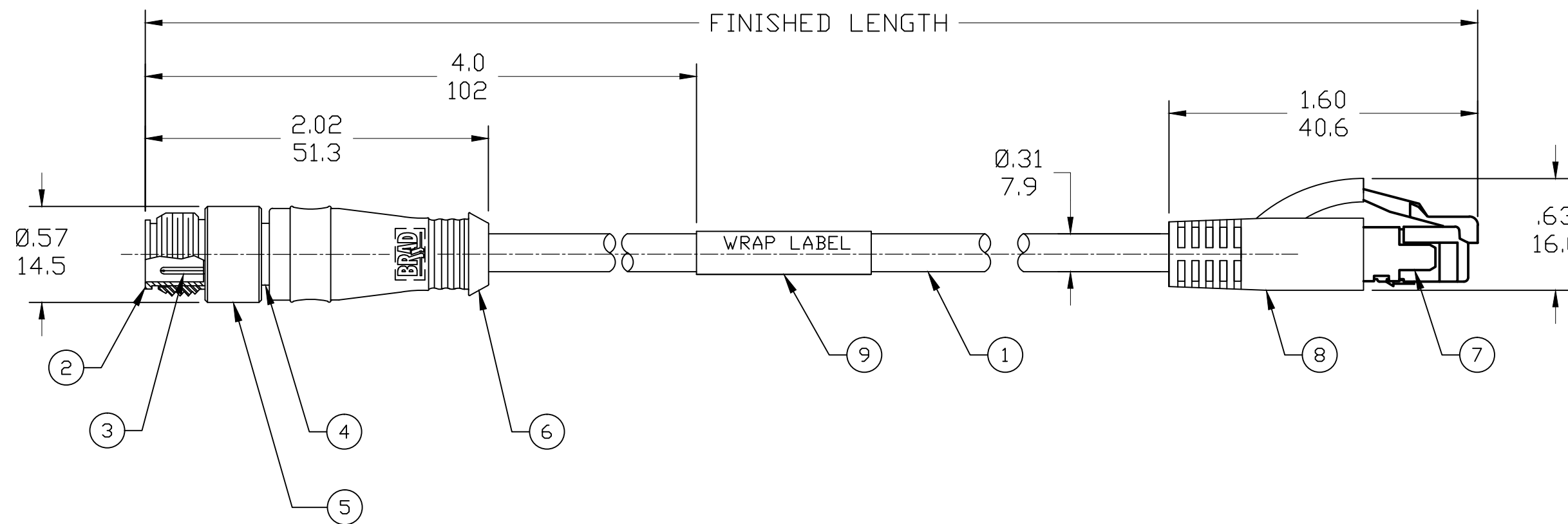
7.3-14.6M [24 - 48FT]: +317.5mm-0 [+12.50in-0]

14.6 - 30.5M [48-100FT]: +622.3mm-0 [+24.50in-0]

OVER 30M [100FT] +2% OF FINISHED LENGTH

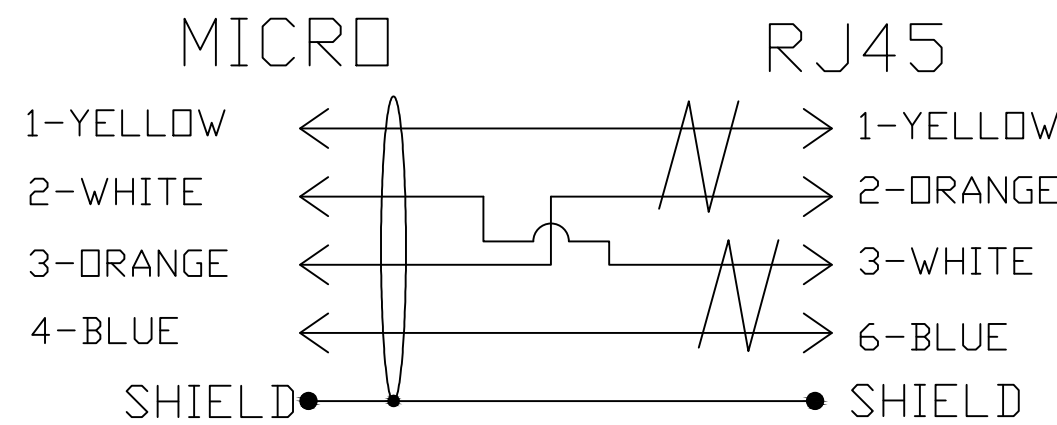


FACE VIEW - MALE M12



FACE VIEW - MALE RJ45
SCALE: 2X

- NOTES:**
- MATERIAL: AS NOTED
 - FINISH: AS NOTED
 - ELECTRICAL:
VOLTAGE: 125V
CURRENT: 1.5A
 - TEMP RATING: -20° TO +75°C
 - PROTECTION: IP67 (WHEN MATED)
 - COUPLING THREAD: M12 X 1
 - UL CERTIFIED FILE: E200650
 - ALL DIMS ARE FOR REFERENCE UNLESS NOTED OTHERWISE



WIRING DIAGRAM

PART NUMBER LEGEND

E16A06017M005

FINISHED LENGTH:
M005= 0.5 METER
M010= 1 METER
M100= 10 METER

REF. THIS DRAWING SUPERSEDES CO-CREATE DRAWING SD-120108-091 REV-B

ITEM	DESCRIPTION	MATERIAL	FINISH
9	WRAP LABEL	VINYL	BLACK/YELLOW
8	RJ-45 BOOT	PVC	BLACK
7	RJ-45 PLUG	POLYCARBONATE	CLEAR
6	OVERMOLD	PBT	GRAY
5	COUPLING NUT	BRASS	NICKEL PLATED
4	SHIELD HOUSING	BRASS	NICKEL PLATED
3	CONTACT PIN	COPPER ALLOY	GOLD PLATED
2	MALE INSERT, D-CODE	PUR	BLACK
1	CABLE, 2 PAIR, 22AWG, SHLD	TPE JACKET	GREEN

REVISED PER LATEST STD EC NO: ICG2019-0171 DRWN: RSTONE 2018/10/15 CHKD: C CHRAST 2018/10/22 APPR: BWOODMAN	QUALITY SYMBOL ▽=0 ▽=0	GENERAL TOLERANCES (UNLESS SPECIFIED)		DIMENSION STYLE IN/MM		SCALE NTS	DESIGN UNITS INCH	THIRD ANGLE PROJECTION
		4 PLACES	±---	±---	DRAWN BY RSTONE	DATE 2018/10/15	TITLE	
		3 PLACES	±---	±---	CHECKED BY	DATE	M12 TO RJ45 CORDSET 4P MALE M12/RJ45 ST PROFI-NET	
		2 PLACES	±---	±---	C CHRAST	----		
1 PLACE	±---	±---	APPROVED BY	DATE	MOLEX INCORPORATED			
DRAFT WHERE APPLICABLE MUST REMAIN WITHIN DIMENSIONS			MATERIAL NO. SEE P/N CHART		DOCUMENT NO. SD-120108-092	SHEET NO. 1 OF 1		
THIS DRAWING CONTAINS INFORMATION THAT IS PROPRIETARY TO MOLEX INCORPORATED AND SHOULD NOT BE USED WITHOUT WRITTEN PERMISSION								