

CABLINE® - VS

VESA standard connector, Suitable for high-data-rate transfer (20 Gbps/lane), Mechanical locking bar, 0.5 mm pitch, Horizontal mating type micro-coaxial connector

Product Specifications:

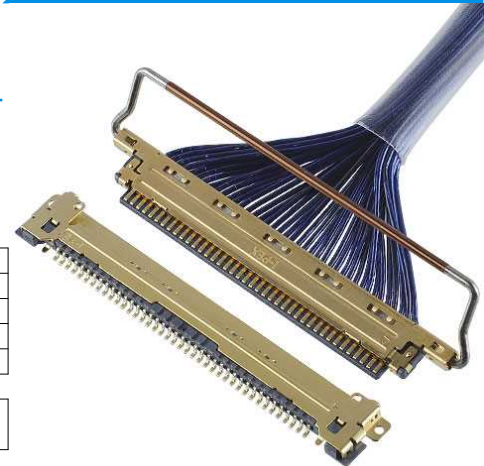
Mating type		Horizontal
Board Pitch (mm)		0.5
Wiping Length (mm)		0.61
Mated size (mm)	Height	1.0 +/- 0.1
	Width	Formula: 7.55 + (0.5*p)
	Depth	5.8
Pin Counts	Range	Up to 50
	Available	20, 30, 40, 50

Applicable Cable Size:

Maximum O.D. (mm)	0.5
Micro-Coaxial for Signal (AWG)	45 ohm: #36 or smaller 50 ohm: #38 or smaller
Twin Coaxial (AWG)	#40
Discrete (AWG)	#32 or smaller

Applicable Standards (Reference Only):

USB4/Thunderbolt 4 (20 Gbps/lane), PCIe (16 GT/s), eDP (8.1 Gbps)



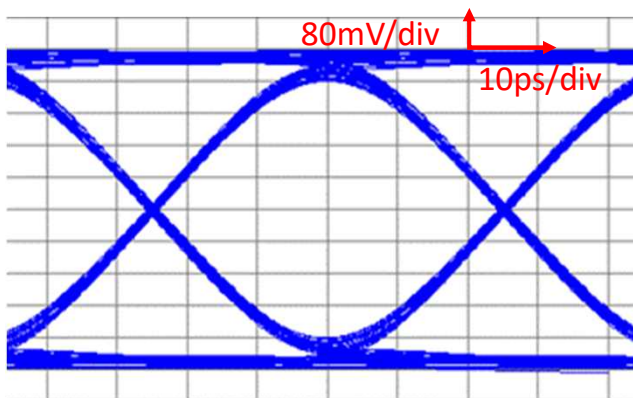
* Please inquire for pin counts not listed or outside of the pin count range.

High-Data-Rate Transfer, Ideal for USB4/Thunderbolt 4 (20 Gbps/lane) Applications

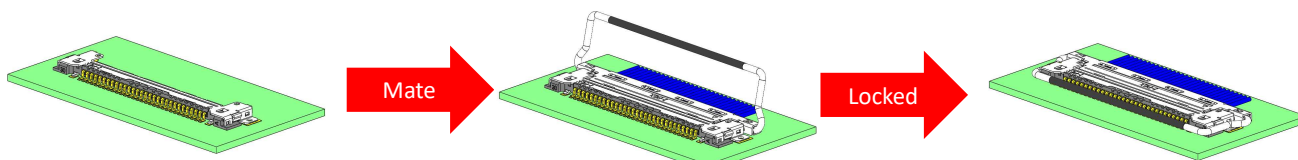
USB4/Thunderbolt 4 (20 Gbps/lane)

Eye pattern (Differential)
Bit rate : 20 Gbps
Rise time : 30ps (10-90%)
Input voltage : 800mVp-p

*Please contact I-PEX Connectors for more test details.

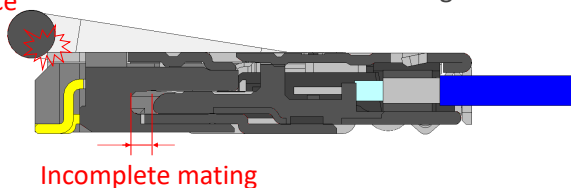


Mechanical Locking Bar Prevents Incomplete Mating and Back-out/Un-mating



Mechanical locking bar can be locked only when plug is fully mated to receptacle.

Interference



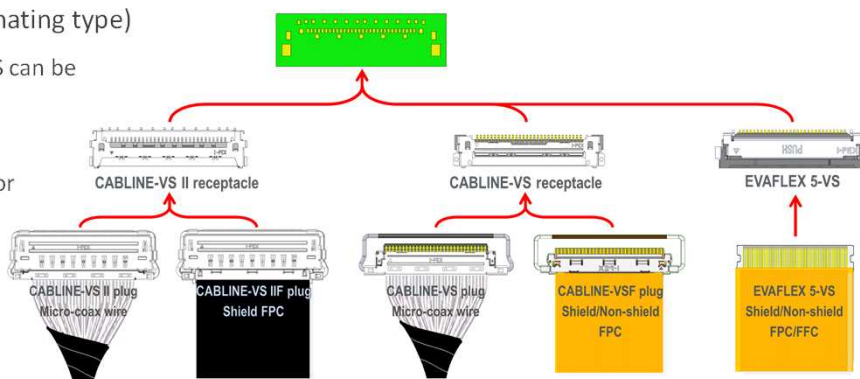
Multiple Connector Options with I-PEX VS Series

I-PEX VS series (0.5 mm pitch, horizontal mating type)

CABLLINE-VS, VS II receptacles and EVAFLEX® 5-VS can be mounted to the same PCB layout.

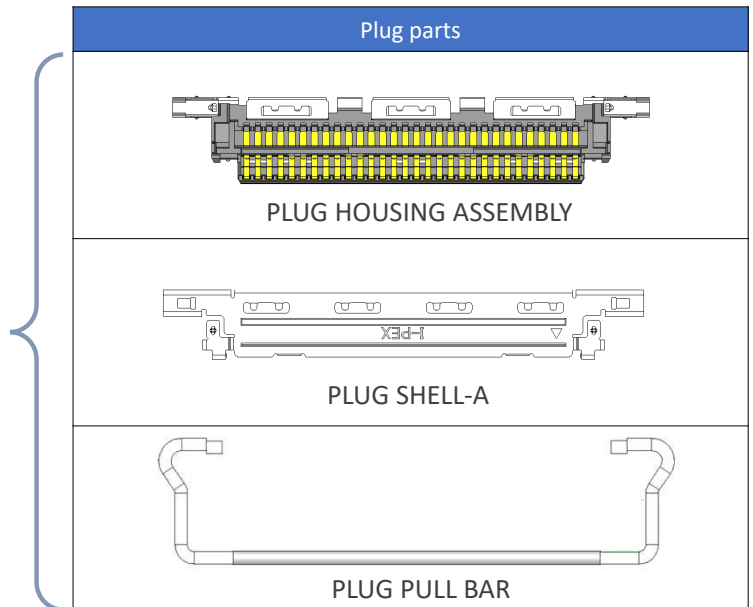
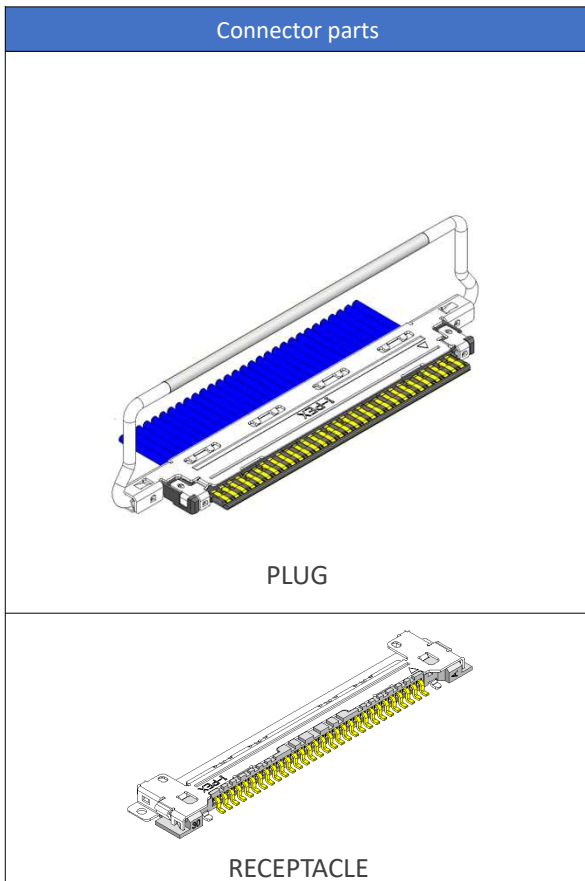
CABLLINE-VS Receptacle:

Has #1 share in the Notebook PC panel connector market as VESA standard connector.



Component Parts Details

Component Parts

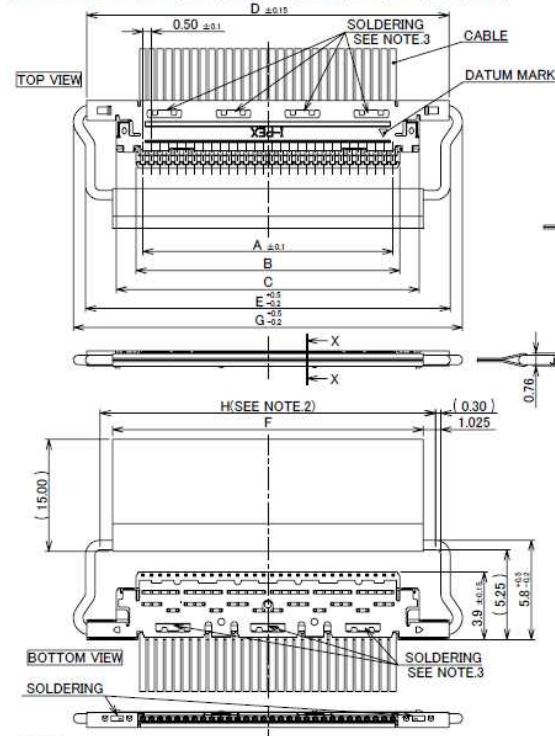


Plug for Cable Assembly

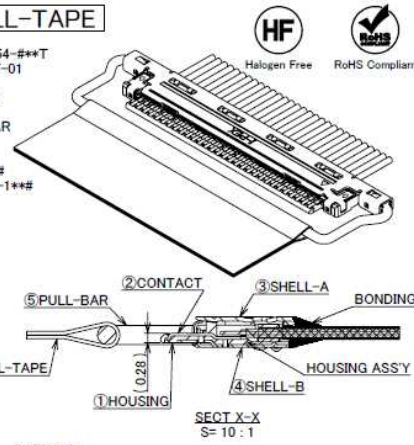
Recommended P/N	20453-2**T-03(20P/30P/40P)	20453-250T-03S(50P)
-----------------	----------------------------	---------------------

PART NO.	Pos.	A	B	C	D	E	F	G	H
20453-#20T-#1	20	9.50	10.30	12.56	16.00	16.15	13.00	17.55	14.45
20453-#30T-#1	30	14.50	15.30	17.56	21.00	21.15	18.00	22.55	19.45
20453-#40T-#1	40	19.50	20.30	22.56	26.00	26.15	23.00	27.55	24.45
20453-#50T-#1S	50	24.50	25.30	27.56	31.00	31.15	28.00	32.55	29.45

WITH PULL-BAR & PULL-TAPE



P/N:20453-#**T-***
 NOTHING : HOUSING ASSY P/N 20454-#**T
 S : HOUSING ASSY P/N 20454-#**T-01
 1 : WITH PULL-BAR P/N 2576-0**
 2 : WITHOUT PULL-BAR
 3 : WITH INSULATION COAT PULL-BAR P/N 2576-1**
 0 : WITH DATUM MARK P/N 2574-0**
 1 : WITHOUT DATUM MARK P/N 2574-1**
 SEE TABLE.1



PART NO.	CABLE ASSY PART NO.	HOUSING ASSY PART NO.	SHELL-A PART NO.	PULL-BAR PART NO.
20453-0**T-#1*	20454-0**T-#*	2574-***	2576-0**	2576-0**
20453-2**T-#1*	20454-2**T-#*	2574-***2	2576-0**	2576-0**

TABLE.1

PART NO.	CONTACT FINISH	SHELL-A FINISH		SHELL-B FINISH	
		TOP SIDE	BOTTOM SIDE	TOP SIDE	BOTTOM SIDE
20453-0**T-***	CONTACT AREA : Au 0.1μm MIN. OVER Ni 1.00μm MIN. SOLDERING AREA : Au 0.02μm MIN. OVER Ni 1.00μm MIN.	Au 0.05μm MIN. OVER Ni 1.00μm MIN.	Au 0.015μm MIN. OVER Ni 1.00μm MIN.	Au 0.015μm MIN. OVER Ni 1.00μm MIN.	Au 0.015μm MIN. OVER Ni 1.00μm MIN.
20453-2**T-***	CONTACT AREA : Au 0.1μm MIN. OVER Ni 1.00μm MIN. SOLDERING AREA : Au 0.02μm MIN. OVER Ni 1.00μm MIN.	Au 0.03μm MIN. OVER Ni 1.00μm MIN.	Ni 1.00μm MIN.(THERE IS THE POSSIBILITY THAT Au ATTACHES RANDOMLY)	Ni 1.00μm MIN.(THERE IS THE POSSIBILITY THAT Au ATTACHES RANDOMLY)	Au 0.02μm MIN. OVER Ni 1.00μm MIN.

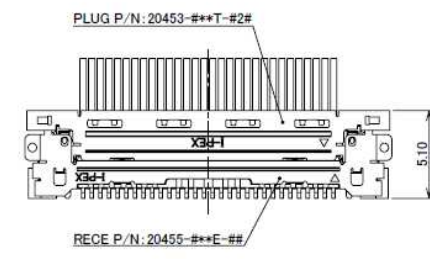
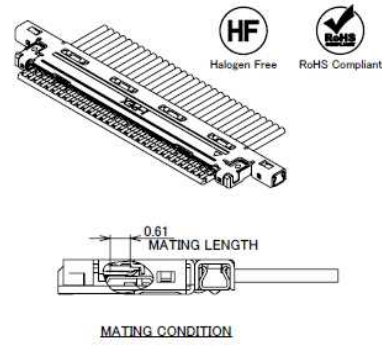
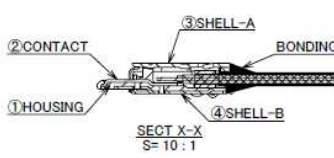
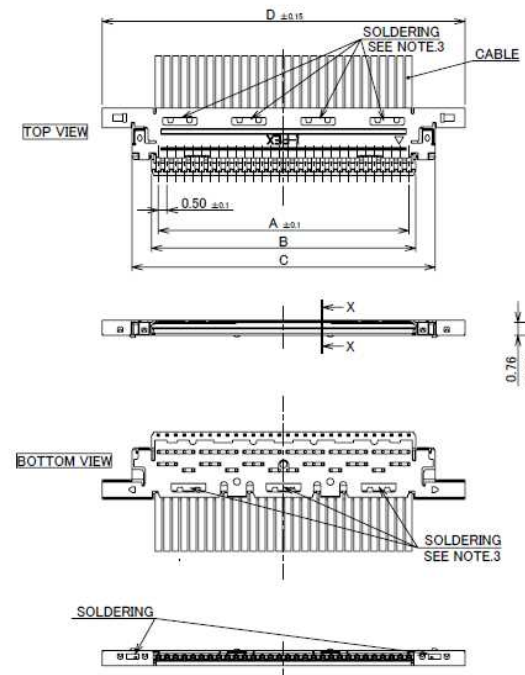
NO.	DISCRPTION	MATERIAL	FINISH . REMARKS
5	PULL-BAR	SUS	
4	SHELL-B	PHOSPHOR BRONZE	SEE ABOVE TABLE.1
3	SHELL-A	PHOSPHOR BRONZE	SEE ABOVE TABLE.1
2	CONTACT	PHOSPHOR BRONZE	SEE ABOVE TABLE.1
1	HOUSING	LCP	UL94V-0, BLACK

NOTES.
 1.RECOMMENDED PULL-TAPE
 PULL-TAPE : TERAOKA's INSULATION TAPE No.650S(#50) t=0.08
 2.PULL-TAPE CAN BE PUT WITHIN THE RANGE OF "H"(STRAIGHT AREA)
 3.SOLDERING IS ONLY A CASE WITH GND-BAR

Rev.33

Recommended P/N	20453-2**T-03(20P/30P/40P)	20453-250T-03S(50P)
-----------------	----------------------------	---------------------

WITHOUT PULL-BAR



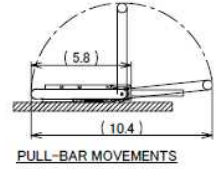
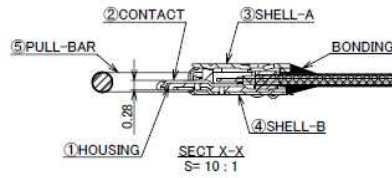
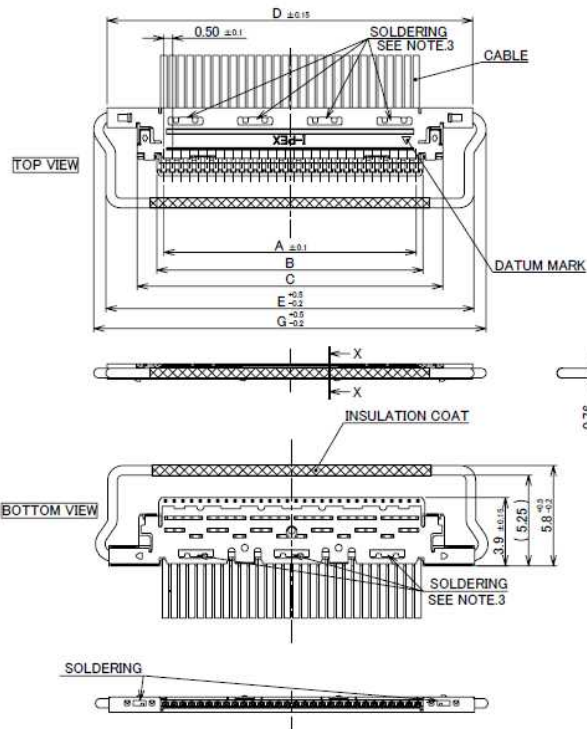
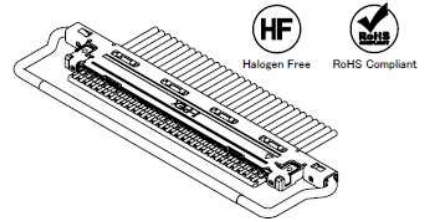
PART NO.	CABLE ASSY PART NO.	HOUSING ASSY PART NO.	SHELL-A PART NO.	PULL-BAR PART NO.
20453-0**T-#2*	20454-0**T-#*	2574-***	2576-0**	-
20453-2**T-#2*	20454-2**T-#*	2574-***2	2576-0**	-

Rev.33

Plug for Cable Assembly

Recommended P/N | 20453-2**T-03(20P/30P/40P) | 20453-250T-03S(50P)

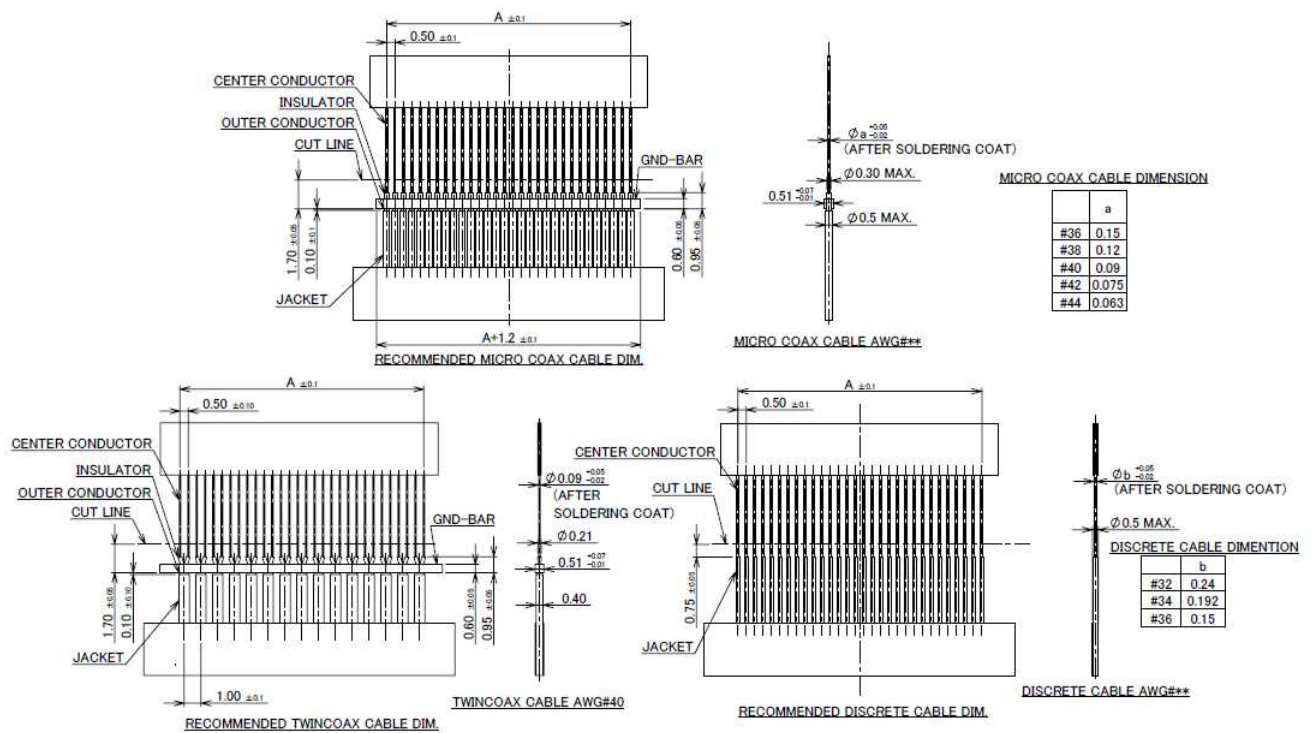
WITH INSULATION COAT PULL-BAR



PART NO.

CABLE ASSY PART NO.	HOUSING ASSY PART NO.	SHELL-A PART NO.	PULL-BAR PART NO.
20453-0**T-3*	20454-0**T-**	2574-***	2576-1**-**
20453-2**T-3*	20454-2**T-**	2574-***2	2576-1**-**

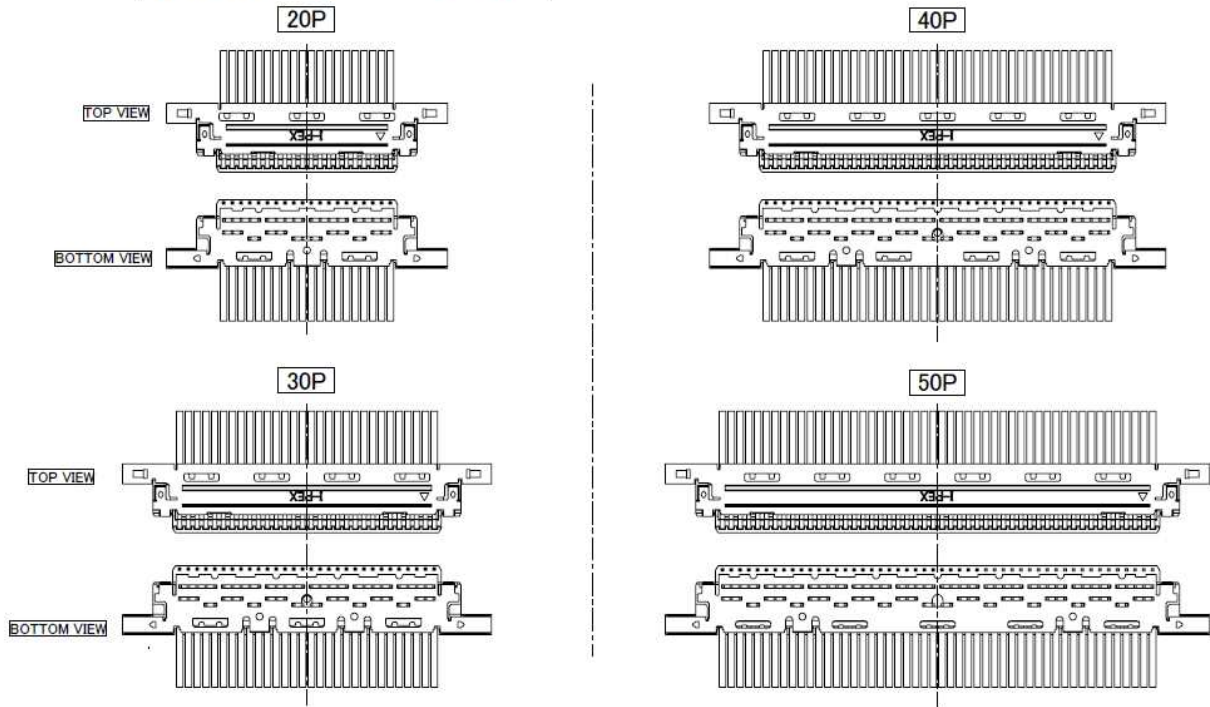
Rev.33



Rev.33

Plug for Cable Assembly

THE EXTERNAL APPEARANCE

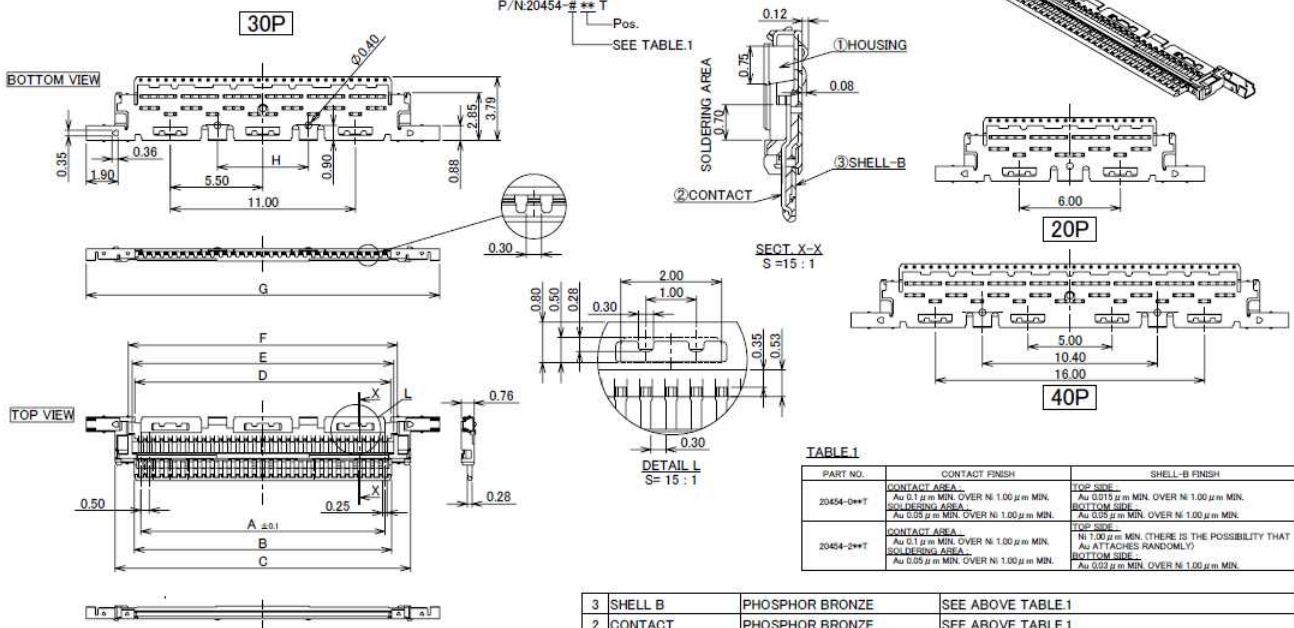


Rev.33

Plug Housing Assembly

Recommended P/N	20454-2**T								
PART NO.	Pos.	A	B	C	D	E	F	G	H
20454-#20T	20	9.50	10.30	12.56	10.20	10.55	11.00	16.00	-
20454-#30T	30	14.50	15.30	17.56	15.20	15.55	16.00	21.00	5.40
20454-#40T	40	19.50	20.30	22.56	20.20	20.55	21.00	26.00	10.40

20454-##**T : STANDARD



PART NO.	CONTACT FINISH	SHELL-B FINISH
20454-0**T	CONTACT AREA Au 0.1 μm MIN. OVER Ni 1.00 μm MIN. SOLDERING AREA Au 0.05 μm MIN. OVER Ni 1.00 μm MIN.	TOP SIDE Au 0.015 μm MIN. OVER Ni 1.00 μm MIN. BOTTOM SIDE Au 0.05 μm MIN. OVER Ni 1.00 μm MIN.
	CONTACT AREA Au 0.1 μm MIN. OVER Ni 1.00 μm MIN. SOLDERING AREA Au 0.05 μm MIN. OVER Ni 1.00 μm MIN.	TOP SIDE Ni 1.00 μm MIN. (THERE IS THE POSSIBILITY THAT Au ATTACHES RANDOMLY) BOTTOM SIDE Au 0.05 μm MIN. OVER Ni 1.00 μm MIN.

NO.	DISCRPTION	MATERIAL	FINISH , REMARKS
3	SHELL B	PHOSPHOR BRONZE	SEE ABOVE TABLE.1
2	CONTACT	PHOSPHOR BRONZE	SEE ABOVE TABLE.1
1	HOUSING	LCP	UL94V-0, BLACK

NOTES.
1. THIS PART IS ASSEMBLED WITH SHELL-A (P/N:2574-##*) AFTER SOLDERED THE CABLE, AND IT BECOMES P/N:20453-##**T-##*.
THIS PART IS ASSEMBLED WITH SHELL-A type-H (P/N:2699-#40) AFTER SOLDERED THE CABLE, AND IT BECOMES P/N:20508-040T-##*.
THIS PART IS ASSEMBLED WITH SHELL-A (P/N:2574-##*) AND ALIGNMENT COVER (P/N:2658-0**) AFTER SOLDERED THE CABLE, AND IT BECOMES P/N:20492-1**T.

Rev.20

Plug Housing Assembly

Recommended P/N		20454-250T-01
PART NO.	Pos.	
20454-#50T-01	50	

20454-#50T-01 : TYPE-i

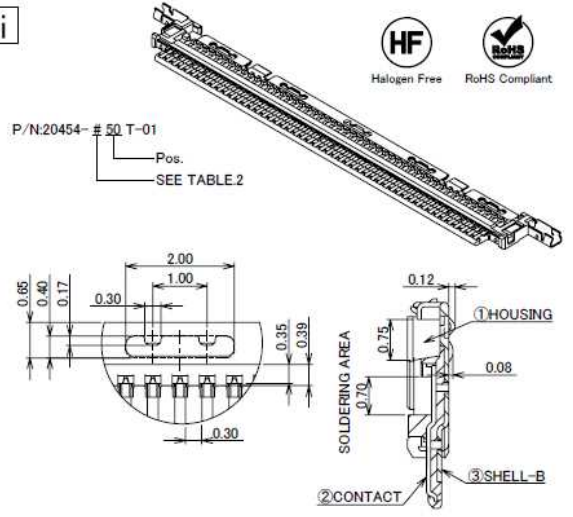
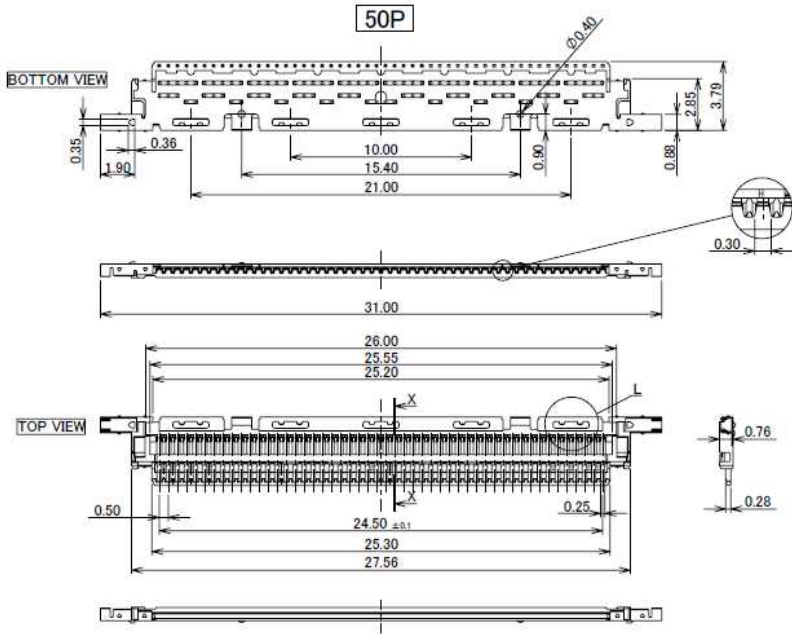


TABLE 2

PART NO.	CONTACT FINISH	SHELL-B FINISH
20454-0**T-01	CONTACT AREA : Au 0.1 μm MIN. OVER Ni 1.00 μm MIN. SOLDERING AREA : Au 0.05 μm MIN. OVER Ni 1.00 μm MIN.	TOP SIDE : Au 0.015 μm MIN. OVER Ni 1.00 μm MIN. BOTTOM SIDE : Au 0.05 μm MIN. OVER Ni 1.00 μm MIN.
20454-2**T-01	CONTACT AREA : Au 0.1 μm MIN. OVER Ni 1.00 μm MIN. SOLDERING AREA : Au 0.05 μm MIN. OVER Ni 1.00 μm MIN.	TOP SIDE : Ni 1.00 μm MIN. (THERE IS THE POSSIBILITY THAT Au ATTACHES RANDOMLY) BOTTOM SIDE : Au 0.05 μm MIN. OVER Ni 1.00 μm MIN.

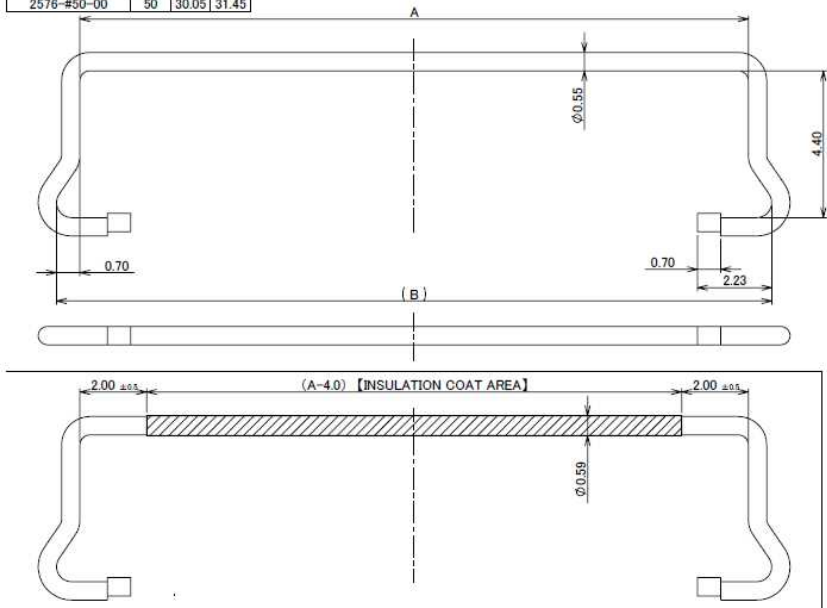
NO.	DISCRIPTION	MATERIAL	FINISH , REMARKS
3	SHELL B	PHOSPHOR BRONZE	SEE ABOVE TABLE 2
2	CONTACT	PHOSPHOR BRONZE	SEE ABOVE TABLE 2
1	HOUSING	LCP	UL94V-0, BLACK

Rev.20

Pull Bar

Recommended P/N		2576-1**-00	
PART NO.	Pos.	A	B
2576-#20-00	20	15.05	16.45
2576-#30-00	30	20.05	21.45
2576-#40-00	40	25.05	26.45
2576-#50-00	50	30.05	31.45

2576-0**-00



2576-1**-00



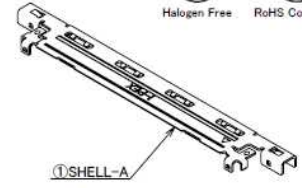
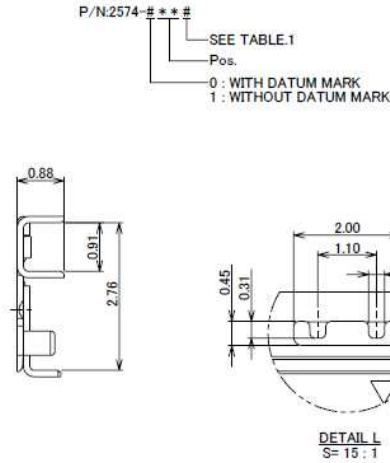
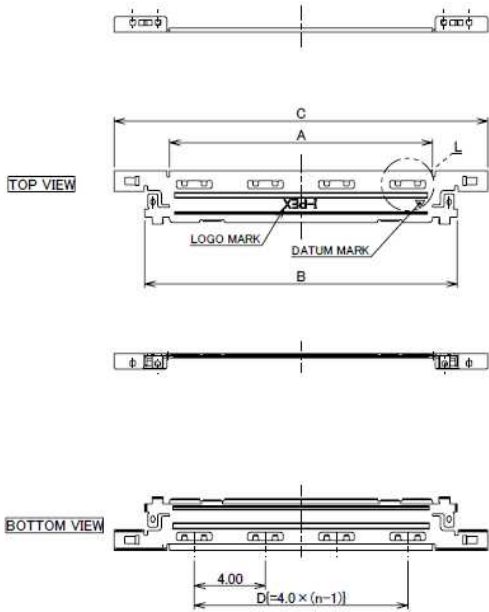
P/N: 2576-#**-00
Pos.
0 : WITHOUT INSULATION COAT
1 : WITH INSULATION COAT

NO.	DISCRIPTION	MATERIAL	FINISH , REMARKS
1	PULL BAR	SUS	-

Rev.15

Shell-A

Recommended P/N		2574-0**2			
PART NO.	Pos.	A	B	C	D
2574-#20#	20	9.78	12.56	16.00	8.00 [= 4.0 × (3-1)]
2574-#30#	30	14.78	17.56	21.00	12.00 [= 4.0 × (4-1)]
2574-#40#	40	19.78	22.56	26.00	16.00 [= 4.0 × (5-1)]
2574-#50#	50	24.78	27.56	31.00	20.00 [= 4.0 × (6-1)]



P/N:2574-#***#
 SEE TABLE.1
 Pos.
 0 : WITH DATUM MARK
 1 : WITHOUT DATUM MARK

TABLE 1

PART NO.	SHELL-A FINISH
2574-***	TOP SIDE : Au 0.05 μm MIN. OVER Ni 1.00 μm MIN. BOTTOM SIDE : Au 0.015 μm MIN. OVER Ni 1.00 μm MIN.
2574-***2	TOP SIDE : Au 0.05 μm MIN. OVER Ni 1.00 μm MIN. BOTTOM SIDE : Ni 1.00 μm MIN. (THERE IS THE POSSIBILITY THAT Au ATTACHES RANDOMLY)

NO.	DISCRIPTION	MATERIAL	FINISH , REMARKS
1	SHELL A	PHOSPHOR BRONZE	SEE ABOVE TABLE.1

Rev.15

Receptacle Assembly

Recommended P/N		20455-0**E-76 (30P/40P/50P)				20455-A20E-76 (20P)	
PART NO.	Pos.	A	B	C	D	P/N:20455-0**E-##	
20455-020E-#2	20	9.50	11.30	16.25	14.47	SEE TABLE.1	
20455-030E-##	30	14.50	16.30	21.25	19.47	Pos.	
20455-040E-##	40	19.50	21.30	26.25	24.47		
20455-050E-##	50	24.50	26.30	31.25	29.47		

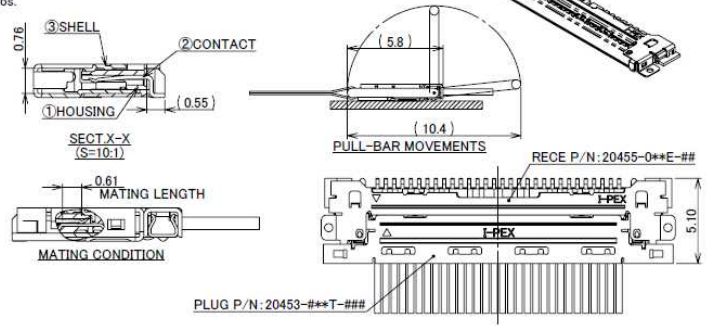
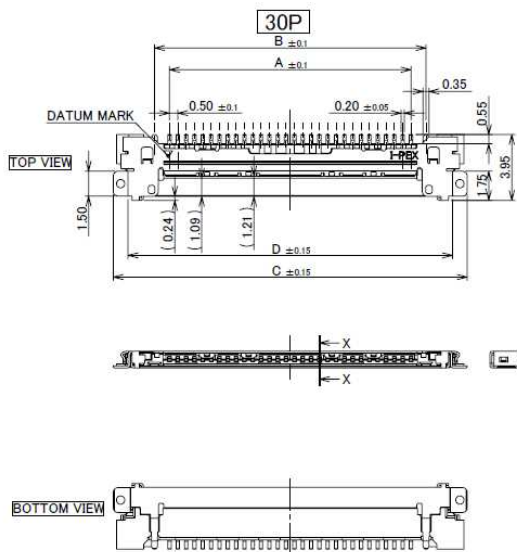


TABLE.1

PART NO.	DATUM MARK	CONTACT FINISH	SHELL FINISH
20455-0**E-02	WITH	CONTACT AREA : Au 0.1 μm MIN. OVER Ni 1.00 μm MIN. SOLDERING AREA : Au 0.05 μm MIN. OVER Ni 1.00 μm MIN.	Au 0.02 μm MIN. OVER Ni 1.00 μm MIN.
20455-0**E-12	WITHOUT	CONTACT AREA : Au 0.1 μm MIN. OVER Ni 1.00 μm MIN. SOLDERING AREA : Au 0.05 μm MIN. OVER Ni 1.00 μm MIN.	Au 0.01 μm MIN. OVER Ni 1.00 μm MIN.
20455-0**E-66	WITH	CONTACT AREA : Au 0.1 μm MIN. OVER Ni 1.00 μm MIN. SOLDERING AREA : Au 0.05 μm MIN. OVER Ni 1.00 μm MIN.	Au 0.01 μm MIN. OVER Ni 1.00 μm MIN.
20455-0**E-76	WITHOUT	CONTACT AREA : Au 0.1 μm MIN. OVER Ni 1.00 μm MIN. SOLDERING AREA : Au 0.05 μm MIN. OVER Ni 1.00 μm MIN.	Au 0.01 μm MIN. OVER Ni 1.00 μm MIN.

NO.	DISCRIPTION	MATERIAL	FINISH , REMARKS
3	SHELL	PHOSPHOR BRONZE	SEE ABOVE TABLE.1
2	CONTACT	PHOSPHOR BRONZE	SEE ABOVE TABLE.1
1	HOUSING	LCP	UL94V-0, BLACK

Rev.30

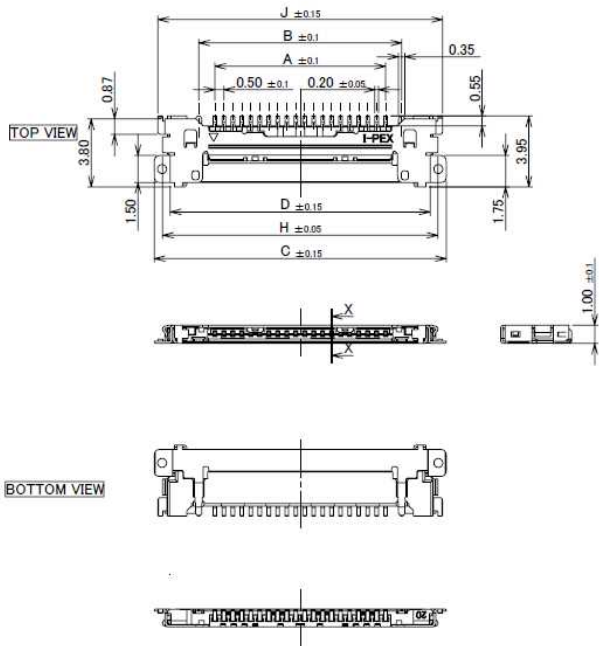


Receptacle Assembly

Recommended P/N 20455-0**E-76 (30P/40P/50P) 20455-A20E-76 (20P)

PART NO.	Pos.	A	B	C	D	H	J
20455-A20E-##	20	9.50	11.30	16.25	14.47	15.32	15.84

TYPE-A



P/N:20455-A20E-##
A: TYPE-A
SEE TABLE 2

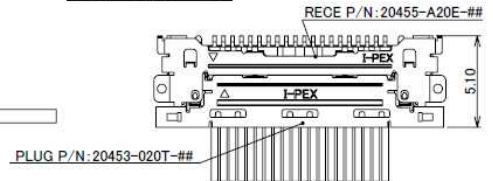
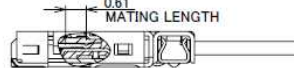
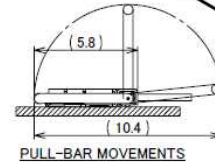
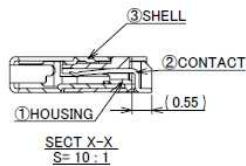


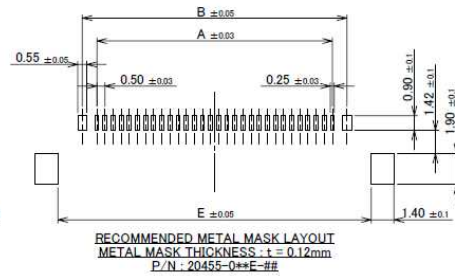
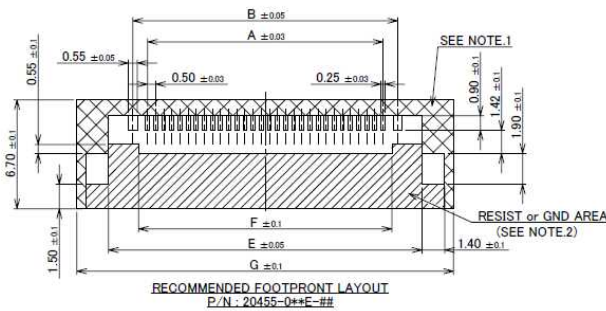
TABLE 2

PART NO.	DATUM MARK	CONTACT FINISH	SHELL FINISH
20455-A20E-02	WITH	CONTACT AREA Au 0.1 μm MIN. OVER Ni 1.00 μm MIN. SOLDERING AREA Au 0.05 μm MIN. OVER Ni 1.00 μm MIN.	Au 0.02 μm MIN. OVER Ni 1.00 μm MIN.
20455-A20E-12	WITHOUT	CONTACT AREA Au 0.1 μm MIN. OVER Ni 1.00 μm MIN. SOLDERING AREA Au 0.05 μm MIN. OVER Ni 1.00 μm MIN.	Au 0.01 μm MIN. OVER Ni 1.00 μm MIN.
20455-A20E-66	WITH	CONTACT AREA Au 0.1 μm MIN. OVER Ni 1.00 μm MIN. SOLDERING AREA Au 0.05 μm MIN. OVER Ni 1.00 μm MIN.	Au 0.01 μm MIN. OVER Ni 1.00 μm MIN.
20455-A20E-76	WITHOUT	CONTACT AREA Au 0.1 μm MIN. OVER Ni 1.00 μm MIN. SOLDERING AREA Au 0.05 μm MIN. OVER Ni 1.00 μm MIN.	Au 0.01 μm MIN. OVER Ni 1.00 μm MIN.

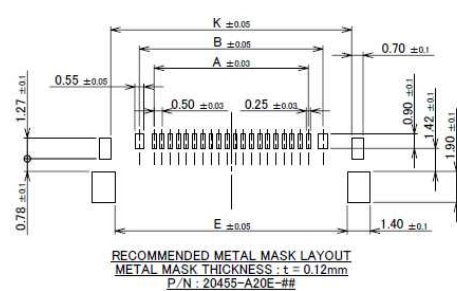
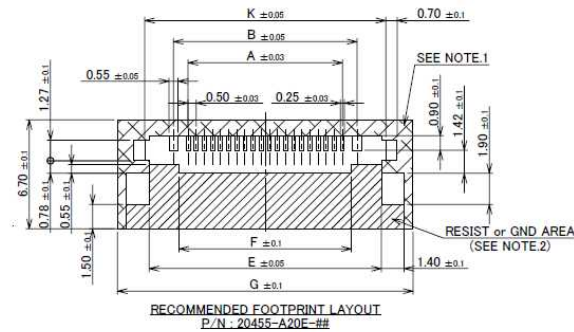
NO.	DISCRIPTION	MATERIAL	FINISH ; REMARKS
3	SHELL	PHOSPHOR BRONZE	SEE ABOVE TABLE 1
2	CONTACT	PHOSPHOR BRONZE	SEE ABOVE TABLE 1
1	HOUSING	LCP	UL94V-0, BLACK

Rev.30

PART NO.	Pos.	A	B	E	F	G	H	J	K
20455-#20E-##	20	9.50	11.30	14.30	10.60	18.20	15.32	15.84	14.84
20455-#30E-##	30	14.50	16.30	19.30	15.60	23.20	-	-	-
20455-#40E-##	40	19.50	21.30	24.30	20.60	28.20	-	-	-
20455-#50E-##	50	24.50	26.30	29.30	25.60	33.20	-	-	-



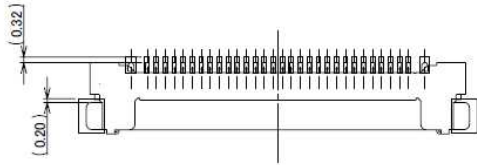
TYPE-A



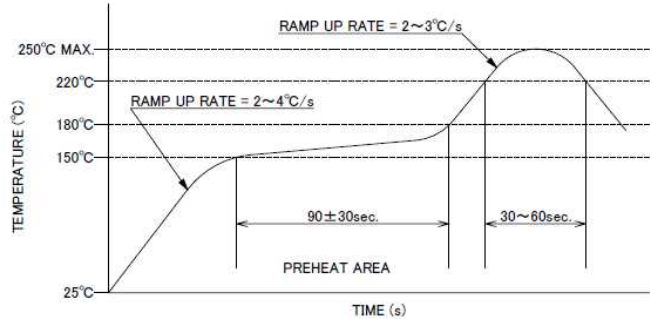
- NOTES.
1. IN CASE OF PLUG WITH PULL-BAR, THIS AREA CANNOT MOUNT ANOTHER COMPONENTS.
2. SOLDER RESIST SHALL BE APPLIED TO PREVENT SHORT CIRCUITS WHEN PLACING SIGNAL LINES ON GROUND AREA.

Rev.30

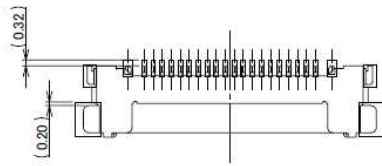
Receptacle Assembly



CONNECTOR ON RECOMMENDED FOOTPRINT PATTERN
P/N : 20455-0**E-##



TYPE-A



CONNECTOR ON RECOMMENDED FOOTPRINT PATTERN
P/N : 20455-A20E-##

Rev.30

ITEMS	SPECIFICATION
APPLICABLE CABLE	MICRO COAX : AWG# 44, 42, 40, 38, 36 DISCRETE : AWG# 36, 34, 32 TWINCOAX : AWG# 40
RATING VOLTAGE	100V AC (PER CONTACT PIN)
RATING AMPERAGE (FOR CONTACT)	0.1A AC/DC [AWG#44] PER CONTACT PIN/UP TO 50 CONTACTS 0.24A AC/DC [AWG#42] PER CONTACT PIN/UP TO 50 CONTACTS 0.3A AC/DC [AWG#40] PER CONTACT PIN/UP TO 50 CONTACTS 0.5A AC/DC [AWG#38] PER CONTACT PIN/UP TO 14 CONTACTS 0.8A AC/DC [AWG#36] PER CONTACT PIN/UP TO 10 CONTACTS 1.0A AC/DC [AWG#34] PER CONTACT PIN/UP TO 6 CONTACTS 1.0A AC/DC [AWG#32] PER CONTACT PIN/UP TO 6 CONTACTS TESTING BY A REAL MACHINE IS RECOMMENDED BECAUSE TEMPURECHER RISE MAY AFFECTED BY ACTUAL SITUATION.
OPERATING TEMPERATURE	233~358K(-40°C~+85°C)
OPERATING HUMIDITY	85% R.H. MAX.(NON-CONDENSING)
CONTACT RESISTANCE	INITIAL : 140mohm MAX.(AWG#32) / AFTER TEST : \triangleleft40mohm MAX. 180mohm MAX.(AWG#34) 275mohm MAX.(AWG#36) 360mohm MAX.(AWG#38) 600mohm MAX.(AWG#40) 700mohm MAX.(AWG#42) 1080mohm MAX.(AWG#44)
GROUND SHELL RESISTANCE	INITIAL : 50mohm MAX. / AFTER TEST : \triangleleft40mohm MAX.
INSULATION RESISTANCE	INITIAL : 1000Mohm MIN. / AFTER TEST : 500Mohm MIN.
DIELECTRIC WITHSTANDING VOLTAGE	AC250V 1min
DURABILITY	30 CYCLES
MATING FORCE (INITIAL / AFTER TEST)	20P : 9.45N MAX. 30P : 12.15N MAX. 40P : 16.20N MAX. 50P : 20.25N MAX.
UNMATING FORCE (INITIAL / AFTER TEST)	20P : 2.0N MIN. 30P : 3.0N MIN. 40P : 4.0N MIN. 50P : 5.0N MIN.
CABLE RETENTION FORCE	20P : 9.80N MIN. 30P : 14.70N MIN. 40P : 19.60N MIN. 50P : 24.50N MIN.
COPLANARITY	0.10 MAX.
PRODUCT SPECIFICATION	PRS-1427
TEST REPORT	TR-08047 (20455-##*E-#2) TR-13084 (20455-##*E-#6, 20455-0**E-#8)
PACKING STANDARD	300-643
INSTRUCTION MANUAL	HIM-08004
APPEARANCE CRITERIA NO.	QLS-A***

Rev.30

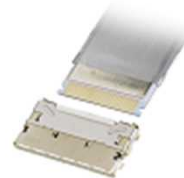
Board to Board



High-Density



Autolocking FPC/FFC



High-Density



FPC/FFC



Micro-Coaxial / Discrete Cable



High-Speed



RF



High-Frequency



Optical Module



High-Speed



Power



High-Power



I/O (Input/Output)



Quick charge

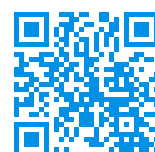


Effector



Custom Connectors Available

Inquiry



I-PEX, MHF, CABLINE, NOVASTACK, EVAFLEX, MINIFLEX, ISH, IARPB, IASLP, ESTORQ, ISFIT, i-Fit and ZenShield are registered trademarks of I-PEX Inc. Please note that the contents in the catalog might be changed without prior notification. I-PEX Inc. assumes no responsibility for any inaccuracies or obligation to update information on these documents. Please be sure to read and understand the latest "Precautions for Use" and "Instruction Manual" before you use our products. We shall not be responsible for any defects, damages or troubles in case you use our products without following the precautions for use. Please feel free to contact our sales representatives when you use our products for any applications that require very high reliability and safety, or that relate to human life (ex. nuclear power control, aerospace, transportation, medical equipment, safety equipment etc.).

Contact your sales representative or more detailed information.

www.i-pex.com



I-PEX

© I-PEX Inc. 2022
All rights reserved.