

GELWRAP-18/4-200UL(B6) ✓ ACTIVE

RAYCHEM | RAYCHEM GelWrap

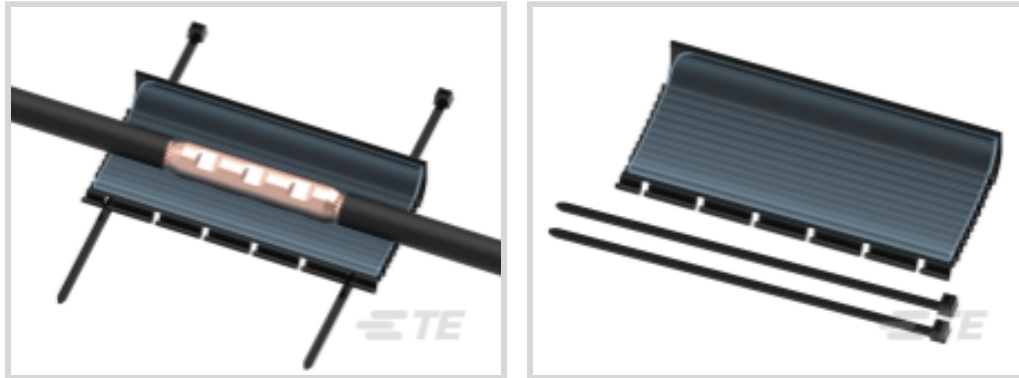
TE Internal #: CB2011-000

Joints & Splices, EMEA, Cold Applied, ≤ 1 kV, Inline, LV GelWrap, Cross-Section 4 – 95 mm² [#14 – 4/0 AWG/kcmil], Various LV, RAYCHEM GelWrap

[View on TE.com >](#)



Energy & Power > Power Cable Accessories > Joints & Splices



Joints & Splice Product Availability: EMEA

Installation Instruction: [English](#)

Joints & Splice Technology: Cold Applied

Joints & Splice Voltage Class: ≤ 1 kV

Joint & Splice Application Type: Inline

Features

Product Type Features

Shelf Life	Unlimited
Filler	PowerGel
Component Design	PowerGel Sealing Gel
Cable Seal	Gel
Joints & Splice Technology	Cold Applied
Joints & Splice Product Type	LV GelWrap
Cable Shield Style	Various LV
Closing Method	Snap
Product Family	GelWrap

Configuration Features

Number of Main Wires (Max)	1
----------------------------	---

Electrical Characteristics

Joints & Splice Voltage Class	≤ 1 kV
-------------------------------	-------------

Body Features

Flexibility	Semi-Flexible
Color	Black

Dimensions



Sleeve Length	200 mm[8 in]
Cross-Section Range	4 – 95 mm ² [#14 – 4/0 AWG/kcmil]
Joints & Splice Insulation Diameter	4 – 18 mm [.15 – .7 in]

Usage Conditions

Environmental Resistance	Yes
Operating Temperature Range	-40 – 90 °C
Chemical Resistance	Motor Oil, Hydrochloric Acid, Sodium Chloride, Sodium Hydroxide

Operation/Application

Emission Free Label-Free Acc (REACH & CLP)	Yes
Halogen Free	Yes
Mechanical Resistance	Against Mechanical Impact
UV-Stabilized	Yes
Joint & Splice Application Type	Inline
Free of Lead, Cadmium, Heavy Metals	Yes

Industry Standards

Standards	ANSI C119.1
UL Rating	Yes

Product Availability

Joints & Splice Product Availability	EMEA
--------------------------------------	------

Packaging Features

Standard Pack	6
---------------	---

Other

Product Use	PowerGel-filled wraparound for LV splices and cable jacket repair
Installation Instruction	English

Product Compliance

[For compliance documentation, visit the product page on TE.com>](#)

EU RoHS Directive 2011/65/EU	Compliant
EU ELV Directive 2000/53/EC	Compliant
China RoHS 2 Directive MIIT Order No 32, 2016	No Restricted Materials Above Threshold
EU REACH Regulation (EC) No. 1907/2006	



Current ECHA Candidate List: JUNE 2023
(235)
Candidate List Declared Against: JUN 2016
(169)
Does not contain REACH SVHC

Halogen Content
Low Halogen - Br, Cl, F, I < 900 ppm per homogenous material. Also BFR/CFR/PVC Free

Solder Process Capability
Not applicable for solder process capability

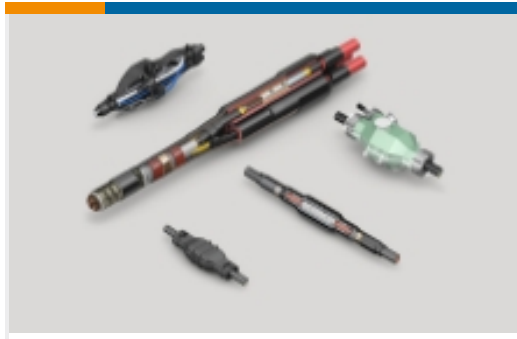
Product Compliance Disclaimer

This information is provided based on reasonable inquiry of our suppliers and represents our current actual knowledge based on the information they provided. This information is subject to change. The part numbers that TE has identified as EU RoHS compliant have a maximum concentration of 0.1% by weight in homogenous materials for lead, hexavalent chromium, mercury, PBB, PBDE, DBP, BBP, DEHP, DIBP, and 0.01% for cadmium, or qualify for an exemption to these limits as defined in the Annexes of Directive 2011/65/EU (RoHS2). Finished electrical and electronic equipment products will be CE marked as required by Directive 2011/65/EU. Components may not be CE marked. Additionally, the part numbers that TE has identified as EU ELV compliant have a maximum concentration of 0.1% by weight in homogenous materials for lead, hexavalent chromium, and mercury, and 0.01% for cadmium, or qualify for an exemption to these limits as defined in the Annexes of Directive 2000/53/EC (ELV). Regarding the REACH Regulation, the information TE provides on SVHC in articles for this part number is based on the latest European Chemicals Agency (ECHA) 'Guidance on requirements for substances in articles' posted at this URL: <https://echa.europa.eu/guidance-documents/guidance-on-reach>

Compatible Parts

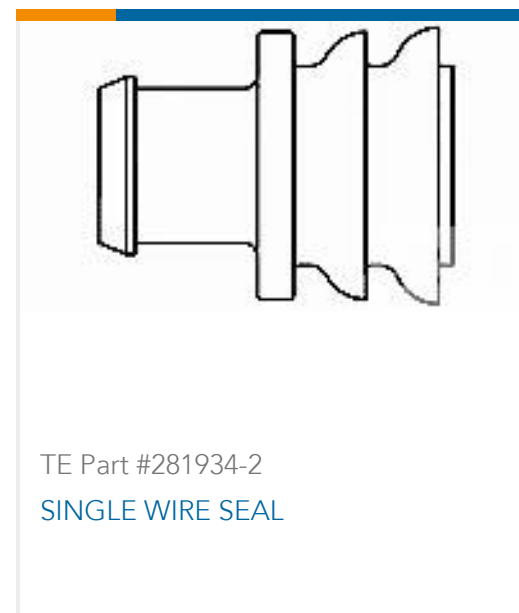


Also in the Series | **RAYCHEM GelWrap**



Joints & Splices(24)

Customers Also Bought



Documents

Product Drawings

[GELWRAP-18/4-200UL\(B6\)](#)

English

Datasheets & Catalog Pages

[GELWRAP-WRAPAROUND-SLEEVE-CABLE-ACCESSORIES](#)

English

Agency Approvals

[UL Report](#)

English