

NOTE:
 ▲ PRODUCTION DATE (YYMMDD);
 ▲ ASSEMBLY P/N MARKING;
 ▲ TPA IS AT PRE-LOCK POSITION;
 ▲ COUNTERPART INFO:
 1) SINGLE CORE PLUG NO. X-2371035-X; MULTI CORE PLUG NO. X-2392519-X;
 2) USED Ø4mm PIN CONTACTS:

USED CABLE	2.5mm ² /3mm ²	4mm ²	6mm ²
PIN CONTACT	2349180-1 (Ag)	1-2349180-1 (SnAg)	2349180-2 (Ag)
			1-2349180-2 (SnAg)
			2349180-3 (Ag)
			1-2349180-3 (SnAg)

3) USED HVIL TERMINAL:

HVIL TERMINAL PN	PRODUCT GROUP DRAWING	APPLICABLE WIRE SIZE
5-1418758-3	1418754	0.35mm ²
5-1418760-3	1418754	0.5mm ²

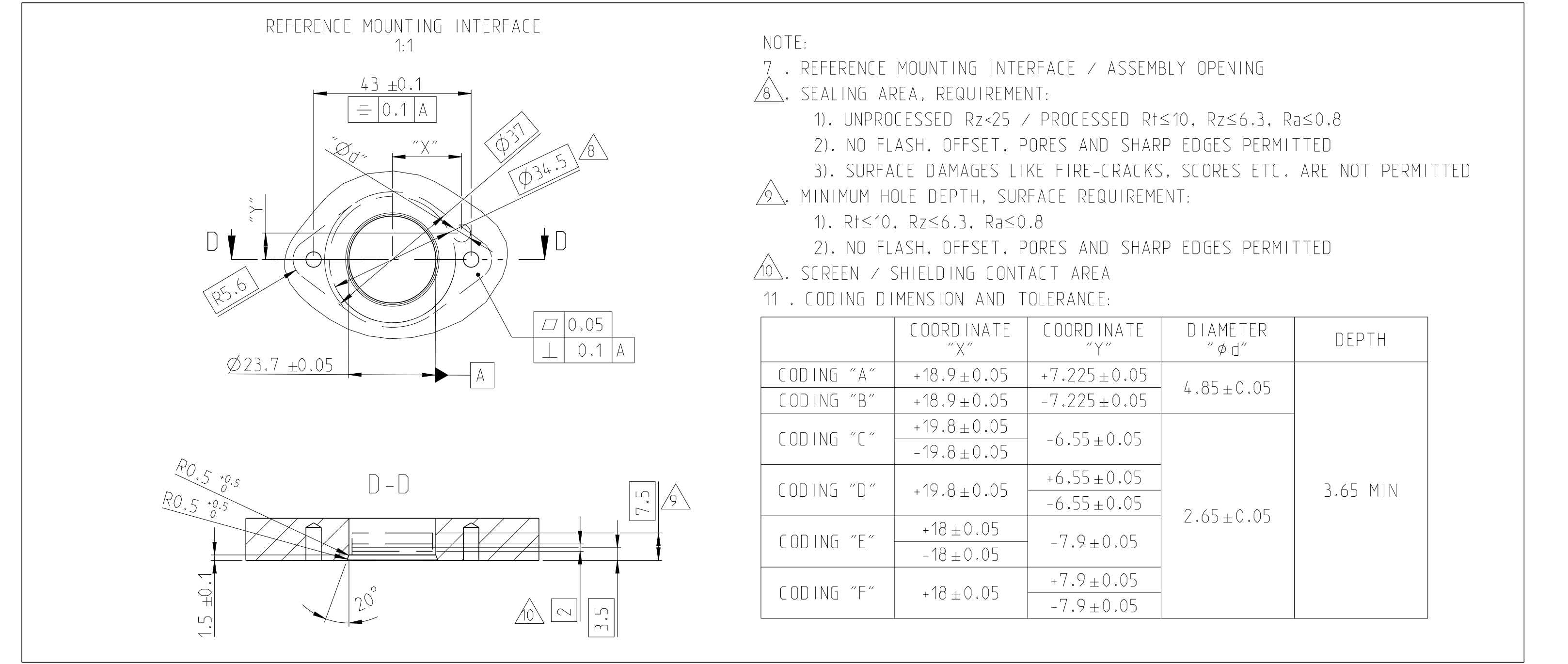
5. GENERAL SPEC:
 1) WORKING TEMP: -40~140°C;
 2) WORKING VOLTAGE: 1000VDC;
 3) DEGREE OF PROTECTION: IPXXB, IP6K9K, IP67;
 4) FLAMMABILITY: UL94 V-0;
 ▲ HEADER ASSEMBLED TO THE AGGREGATE WITH 2 PIECES M5 SCREW. THE SCREW HEAD DIAMETER < 9mm, THE DIAMETER OF WASHER 9-11mm; RECOMMENDED TIGHTENING TORQUE IS 6±0.5NM;

Q'TY	1	1	1	1	1	1	TPA	PA66-GF30 V0	RED	5	
	1	-	-	-	-	-	INNER HOUSING 3 POS	PA66-GF30 V0	BROWN	4	
	-	1	-	-	-	PA66-GF30 V0		GREEN			
	-	-	1	-	-	PA66-GF30 V0		PURPLE			
	-	-	-	1	-	PA66-GF30 V0		BLUE			
	-	-	-	-	1	PA66-GF30 V0		WHITE			
	-	-	-	-	-	PA66-GF30 V0		BLACK			
	1	1	1	1	1	SHIELDING	COPPER ALLOY	-	(24.7)	3	
	1	1	1	1	1	FACIAL SEAL	VMQ	GREEN		2	
	-	-	-	-	-	OUTER HOUSING WITH CODING	PA66-GF30 V0	ORANGE	1		
	-	1	-	-	-						
	-	-	1	-	-						
	-	-	-	1	-						
	-	-	-	-	1						
	-	-	-	-	-						
	F	E	D	C	B	A	DESCRIPTION	MATERIAL	COLOR	WEIGHT(g)	ITEM
	2371113-6	2371113-5	2371113-4	2371113-3	2371113-2	2371113-1	ASSEMBLY P/N				
	C	C	C	C	C	C	REVISION OF ASSEMBLY				
	PART LIST										

Q'TY	1	1	1	1	1	1	TPA	PA66-GF30 V0	RED	5	
	-	-	-	-	-	-	INNER HOUSING 3 POS	PA66-GF30 V0	BROWN	4	
	-	-	-	-	-	PA66-GF30 V0		GREEN			
	-	-	-	-	-	PA66-GF30 V0		PURPLE			
	-	-	-	-	-	PA66-GF30 V0		BLUE			
	1	-	-	-	-	PA66-GF30 V0		WHITE			
	-	-	-	-	-	PA66-GF30 V0		BLACK			
	1	1	1	1	1	SHIELDING	COPPER ALLOY	-	(24.7)	3	
	1	1	1	1	1	FACIAL SEAL	VMQ	GREEN		2	
	1	1	1	1	1	OUTER HOUSING WITHOUT CODING	PA66-GF30 V0	ORANGE		1	
	-	-	-	-	-		DESCRIPTION	MATERIAL	COLOR	WEIGHT(g)	ITEM
	B	A					ASSEMBLY P/N				
	1-2371113-2	1-2371113-1					REVISION OF ASSEMBLY				
	C	C					REVISION OF ASSEMBLY				
	PART LIST										

Q'TY	1	1	1	1	1	1	TPA	PA66-GF30 V0	RED	5	
	1	-	-	-	-	-	INNER HOUSING 2 POS	PA66-GF30 V0	BROWN	4	
	-	1	-	-	-	PA66-GF30 V0		GREEN			
	-	-	1	-	-	PA66-GF30 V0		PURPLE			
	-	-	-	1	-	PA66-GF30 V0		BLUE			
	-	-	-	-	1	PA66-GF30 V0		WHITE			
	-	-	-	-	-	PA66-GF30 V0		BLACK			
	1	1	1	1	1	SHIELDING	COPPER ALLOY	-	(24.5)	3	
	1	1	1	1	1	FACIAL SEAL	VMQ	GREEN		2	
	1	1	1	1	1	OUTER HOUSING WITHOUT CODING	PA66-GF30 V0	ORANGE		1	
	-	-	-	-	-		DESCRIPTION	MATERIAL	COLOR	WEIGHT(g)	ITEM
	C	B	A				ASSEMBLY P/N				
	3-2371113-3	3-2371113-2	3-2371113-1				REVISION OF ASSEMBLY				
	C	C	C				REVISION OF ASSEMBLY				
	PART LIST										

Q'TY	1	1	1	1	1	1	TPA	PA66-GF30 V0	RED	5	
	-	-	-	-	-	-	INNER HOUSING 2 POS	PA66-GF30 V0	BROWN	4	
	-	-	-	-	-	PA66-GF30 V0		GREEN			
	-	-	-	-	-	PA66-GF30 V0		PURPLE			
	-	-	-	-	-	PA66-GF30 V0		BLUE			
	1	-	-	-	-	PA66-GF30 V0		WHITE			
	-	-	-	-	-	PA66-GF30 V0		BLACK			
	1	1	1	1	1	SHIELDING	COPPER ALLOY	-	(24.5)	3	
	1	1	1	1	1	FACIAL SEAL	VMQ	GREEN		2	
	1	1	1	1	1	OUTER HOUSING WITHOUT CODING	PA66-GF30 V0	ORANGE		1	
	-	-	-	-	-		DESCRIPTION	MATERIAL	COLOR	WEIGHT(g)	ITEM
	C	B	A				ASSEMBLY P/N				
	3-2371113-3	3-2371113-2	3-2371113-1				REVISION OF ASSEMBLY				
	C	C	C				REVISION OF ASSEMBLY				
	PART LIST										



NOTE:
 ▲ REFERENCE MOUNTING INTERFACE / ASSEMBLY OPENING
 ▲ SEALING AREA REQUIREMENT:
 1) UNPROCESSED R_z≤25 / PROCESSED R₁≤10, R_z≤6.3, R_a≤0.8
 2) NO FLASH, OFFSET, PORES AND SHARP EDGES PERMITTED
 3) SURFACE DAMAGES LIKE FIRE-CRACKS, SCORES ETC. ARE NOT PERMITTED
 ▲ MINIMUM HOLE DEPTH, SURFACE REQUIREMENT:
 1) R₁≤10, R_z≤6.3, R_a≤0.8
 2) NO FLASH, OFFSET, PORES AND SHARP EDGES PERMITTED
 ▲ SCREEN / SHIELDING CONTACT AREA
 11. CODING DIMENSION AND TOLERANCE:

CODING	COORDINATE "X"	COORDINATE "Y"	DIAMETER "Ø"	DEPTH
CODING "A"	+18.9±0.05	+7.225±0.05	4.85±0.05	3.65 MIN
CODING "B"	+18.9±0.05	-7.225±0.05		
CODING "C"	+19.8±0.05	-6.55±0.05		
CODING "D"	+19.8±0.05	-6.55±0.05		
CODING "E"	+18±0.05	-7.9±0.05		
CODING "F"	+18±0.05	-7.9±0.05		

THIS DRAWING IS A CONTROLLED DOCUMENT. DATE: 07MAY2020
 DIMENSIONS: UNIT: MILLIMETER
 DRAWING NO: 114-160095
 CUSTOMER DRAWING
 DRAWN BY: Y. YANG
 CHECKED BY: J. JIANG
 APPROVED BY: J. JIANG
 PRODUCT SPEC: 108-160170
 APPLICATION SPEC: 114-160095
 WEIGHT: SEE TABLE
 MATERIAL: SEE TABLE
 DATE: 07MAY2020
 NAME: HD400, 2POS / 3POS CONNECTOR
 SIZE: CASE CODE DRAWING NO: A0100779
 SCALE: 1:2
 SHEET: 1 OF 1
 REV: C1