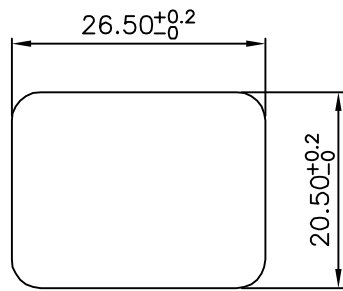
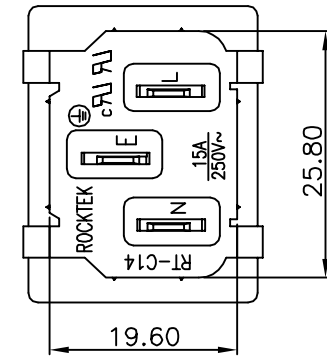
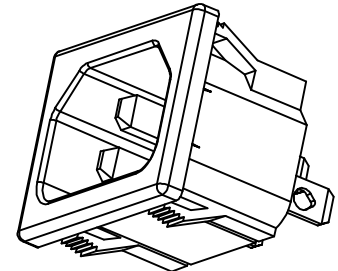
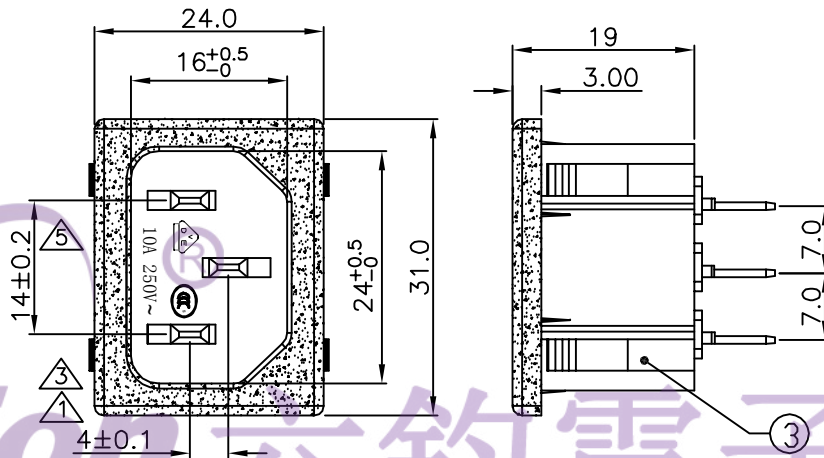
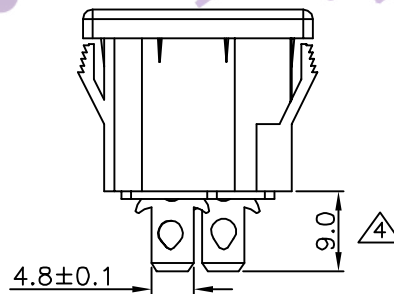


SECTION A-A



PANEL CUTOUT THICKNESS 0.8~1.5mm



NOTES:

1. Electrical rating : 10A 250VAC VDE CCC
15A 250VAC UL CUL
2. Insulation resistance : >100MΩ Min 500VDC
3. Dielectric strength : >1500V 1 minute

电话 : 0769-82310511-867
 邮箱 : hooya89@hooya.hk
 V : hooya89

3	BODY	PA66 UL94V-0 Black	1
2	PIN 2#	C2680 t=2mm Tin-plating 3~5μm	2
1	PIN 1#	C2680 t=2mm Tin-plating 3~5μm	1
NO. PART NAME		MATERIAL	Q'TY

5	增加VDE与CCC安规刻字	10	→	DIMENSIONAL TOLERANCES		APPROVED	CHECKED	DESIGN	DRAWN	ALL SIZE ARE IN	MM	
4	8.40 → 9.0	9	→	RANGE	TOLERANCE				LTB	SCALE	NO	
3	取消北欧四国及3C安规	8	→	X	±0.3					MAT'L	***	
2	新增注释	7	→	X.X	±0.2					MATERIAL NO.	DRAWING NO.	
1	增加4个认证标志 (N S F D)	6	→	X.XX	±0.1					RT-C14A-A1	WIF106005	C2
NO	DESCRIPTION	NO	DESCRIPTION	ANGLES	±1°	LEGION ELECTRONIC & HARDWARE CO., LTD						

4

3

2

1

A

A