

SPECIFICATIONS:

Contact current Rating:
 1.8 Amperes for pin1&pin4.
 0.25 Amperes other contacts

Dielectric Withstanding Voltage:AC 100V (RMS)
 Insulation resistance:100Megohms Minimum.

Contact Resistance:
 30mΩ Max for pin1&pin4
 50mΩMax for other contacts

Mechanical Characteristics:
 Mating Force:35 Newtons. Maximum
 Unmating Force:10 Newtons. Minimum.

MATERIAL: 8N Min After Durability
 Housing: LCP+30%GF 94V-0
 Contact: copper alloy (T=0.20mm)
 Shell: SUS201 1/2H (T=0.30MM)

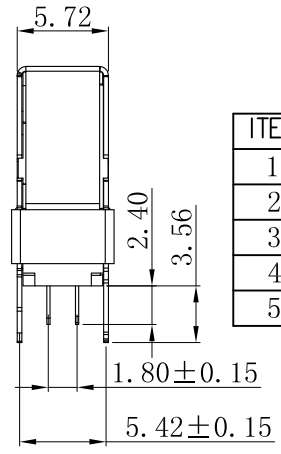
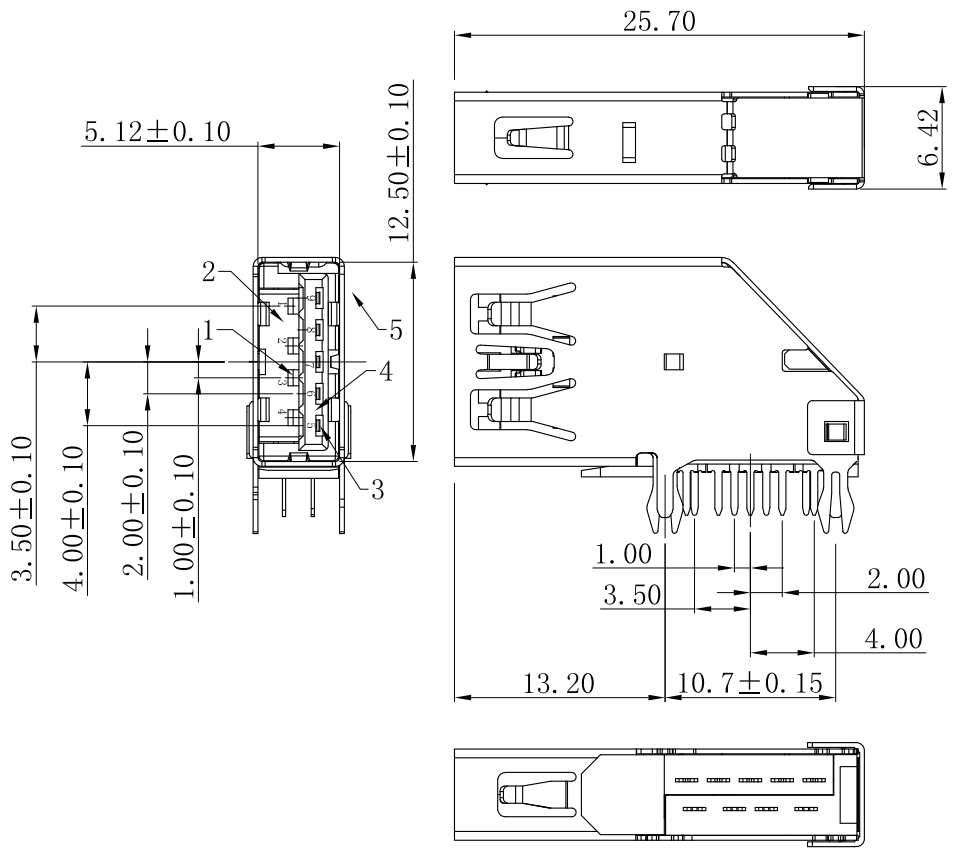
PLATING:
 Contact: Gold Flash Plated on Contact Area,
 80u" Min.Matte Tin Plated on Solder Tails Area,
 50u" Min.Nickel Underplating Over All.
 Shell: 50u" Min.Nickel Underplating Over All.

operating Temperature:-55° to+85°

PCB LAYOUT (TOP VIEW)

Pin Number	Signal Name	Pin Number	Signal Name
1	VBUS	5	SSRX-
2	D-	6	SSRX+
3	D+	7	GND
4	GND	8	SSTX-
Shell	Shield	9	SSRT+

ITEM	PART NAME	Material	Q'TY	REMARK
1	4P Semi-	Housing LCP	1	Blue UL94V-0
2	manufactured Goods	Contact COPPER ALLOY	4	T=0.20 Plating Gild/Tin
3	5P Semi-	Housing LCP	1	Blue UL94V-0
4	manufactured Goods	Contact COPPER ALLOY	5	T=0.20 Plating Gild/Tin
5	Shell	SUS201-1/2H	1	T=0.3



單位 UNIT	MM	*: Inspection Item		HJ-Tech 东莞市皇捷通讯科技有限公司	
比例 SCALE	1:1	©: Cp/Cpk and SPC Control Item		手机: 15015262131 手机: 13714786106	
張數 SHEET	1/1	TOLERANCE UNLESS OTHERWISE SPECIFIED		图号 DWG NO.	2LS00S0023
製圖 DRAWIN	Zwj	.X±0.30	.X'.±6'	名稱 TITLE	USB3.0 AF 90度側插 DIP 魚叉脚无卷边
版本 REV.	NEW	.XX±0.20	.X'±3'	角法 PROJ.	
設變內容 MODIFICATION	日期 DATE	.XXX±0.10	.XX'±2'	核 准 APPROVE	
				修 改 DRAW	
				核 准 APPROVE	
				審 核 CHECKED	