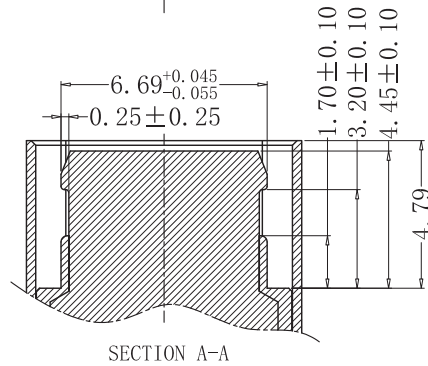
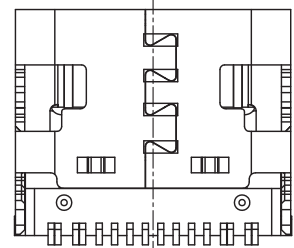
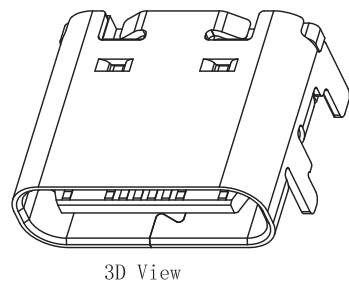
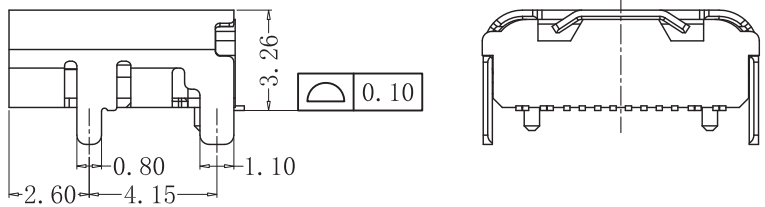
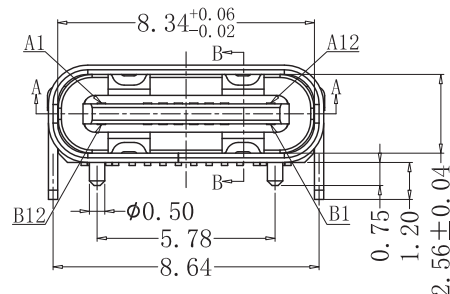
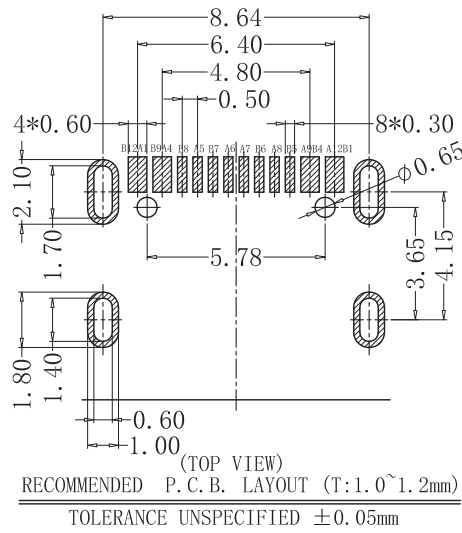
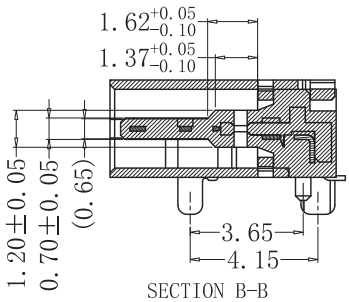
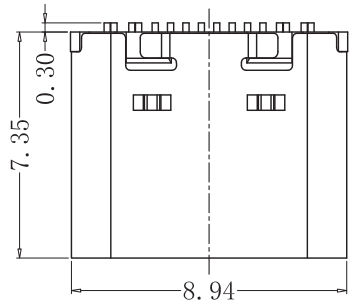


RoHs



| VER | MARK | PR. BY | ECR/ECN | DESCRIPTION | DATE |
|-----|------|--------|---------|-------------|-----------|
| A | | LYX | | NEW RELEASE | 05/19' 21 |

| PIN | SIGNAL | PIN | SIGNAL |
|-----|--------|-----|--------|
| A12 | GND | B1 | GND |
| A11 | | B2 | |
| A10 | | B3 | |
| A9 | VBUS | B4 | VBUS |
| A8 | SBU1 | B5 | CC2 |
| A7 | D- | B6 | D+ |
| A6 | D+ | B7 | D- |
| A5 | CC1 | B8 | SBU2 |
| A4 | VBUS | B9 | VBUS |
| A3 | | B10 | |
| A2 | | B11 | |
| A1 | GND | B12 | GND |

- SPECIFICATION:
- Material:
 - HOUSING&MOLDING:LCP,UL94 V-0
 - CONTACTS:COPPER ALLOY T=0.20mm
 - MIDDLE CLIP:SUS301-1/2H,T=0.15mm
 - SHELL:SUS, T=0.30mm
 - Mechanical:
 - 2.1.Mating force:5~20N;
 - 2.2.Unmating force:6~20N;
 - 2.3.Durability:10000 Cycles;
 - Electrical:
 - 3.1.Current Rating:3A Max.;
 - 3.2.Voltage Rating:20V Max.;
 - 3.3.Dielectric Withstanding voltage:100Vac;
 - 3.4.Contact resistance:40m Ohms Max.;
 - 3.5.Insulation Resistance:100M Ohms Min.;
 - Environmental:
 - 4.1.Operating temperature:-40°C~+85°C;
 - 4.2.Wetting Temperature:265±5°C,5±0.5s

| | | | | | | | |
|--------------|-------------------|--|-------------------------|------------------------|----------------------------|--------------------------|--|
| CUSTOMER | | GENERAL TOLERANCES UNLESS SPECIFIED | | APPROVED BY: WULIBO | TITLE: USB 16PIN 板上卧式贴式 | 东莞市皇捷通讯科技有限公司 | |
| SIZE A4 | UNITS MM[INCH] | X±0.50 .X±0.35 | X°±5.0° .X°±3.0° | CHECKED BY: | PART NO.: 2LS00S0021 | DONGGUAN HJ-TECH CO.,LTD | |
| SCALE 1:1 | REV. C | .XX±0.25 .XXX±0.15 | .XX°±2.5° .XXX°±2.0° | DESIGN BY: LYX | DWG NO.: 1016-FXXXXX | SHEET 1/2 | |