

NOTE:

1. Material:

Housing: Thermoplastics,UL94V-0(LCP,BLACK,Halogen free)
 Contact: C5191,
 Shell: Stainless Steel,

2. FINISH:

Contact: 1u" Gold Plated on Contact Area,
 Gold Flash Plated on Nickel Over All
 50u" Min.Nickel Underplating Over All.
 Shell: 30u" Min.Nickel Underplating Over All.

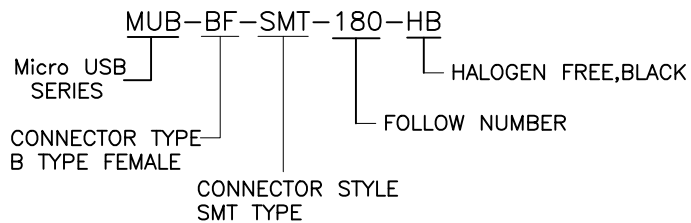
3. Specification:

3.1: Electrical:

Insulation Resistance(EIA-364-21):
 100MΩ Min. at 100V/DC
 Contact Resistance(EIA-364-06): 30 mΩ Max.
 Dielectric Withstanding Voltage(EIA-364-20):
 No discharge, flashover or breakdown at 100V/AC 1Minute
 Current rating:(pin2,3,4):1.0A ,(pin1,5):1.8A.

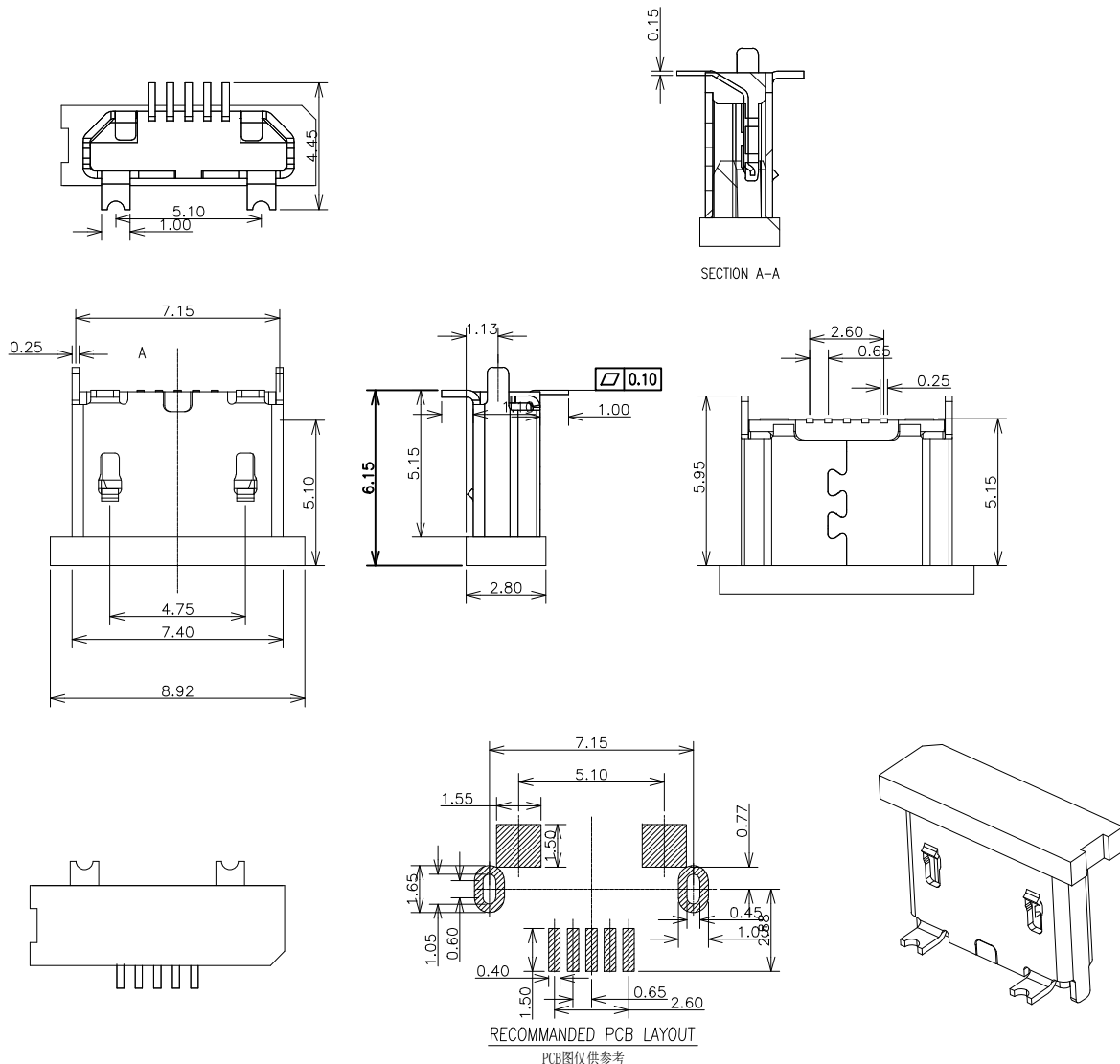
4. Micro USB TID Number:60001810

5. Ordering Information



Pin Assignment

Contact Number	Signal Name	Typical Wiring Assignment
PIN 1	VBUS	Red
PIN 2	D-	White
PIN 3	D+	Green
PIN 4	ID	<Ra_PLUG_ID
PIN 5	GND	Black
SHELL	Shield	Drain Wire



單位 UNIT	MM	☒ Inspection Item	HJ-Tech 东莞市皇捷通讯科技有限公司 手机: 15015282131 手机: 13714786106
比例 SCALE	1:1	* Cp/Cpk and SPC Control Item	圖號 DRAW NO. 2LS00P0013
張數 SHEET	1*1	TOLERANCE UNLESS OTHERWISE SPECIFIED	名稱 TITLE M icr o USB BF SM T 180
製圖 DRAWN	Frank	.X±0.25 .X'±3'	角法 PROJ. 第一角法
版本 REV.	設變內容 MODIFICATION	.XX±0.20 .X'±1'	客戶圖
日期 DATE	修改 DRAW	.XXX±0.10 .XX±	
核准 APPROVE	審核 CHECKED		

AO	NEW ISSUE	20.05.07	Frank	Jason
版本 REV.	設變內容 MODIFICATION	日期 DATE	修改 DRAW	核准 APPROVE