

RoHS Compliant

NOTE:

1. Material:  
Housing: LCP,Black(Halogen free); Thermoplastics,UL94V-0;  
Contact: Copper Alloy  
Shell: Copper Alloy

2. FINISH:  
Contact: Gold Flash Plated on Contact Area,  
80u" Tin Bright Plated on Solder Tails,  
50u" Min.Nickel Underplating Over All.

Shell: 50u" Min.Nickel Underplating Over All.

3. Specification:

3.1: Voltage Current Rating: 1.5Amp. 30V/AC

3.2: Electrical:

Insulation Resistance: 1000MΩ Min.

Contact Resistance: 20mΩ Max.

Dielectric Withstanding Voltage: 750V/AC 1Minute

3.3: MECHANICAL

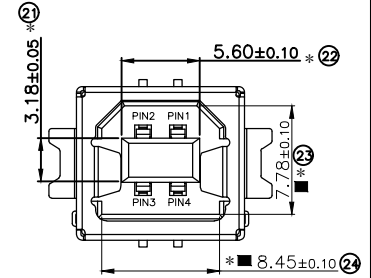
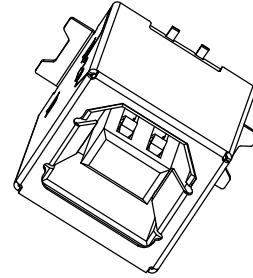
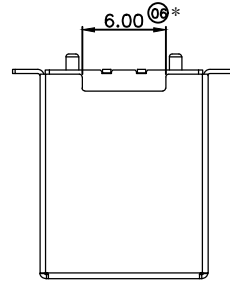
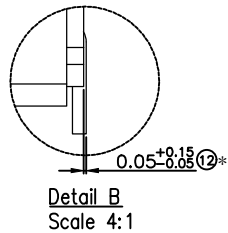
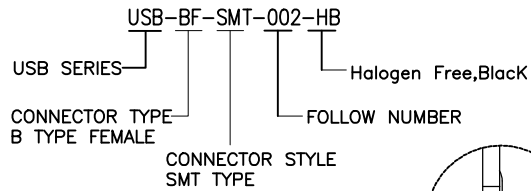
Mating force: 35N Max.

Unmating force:10N Min.

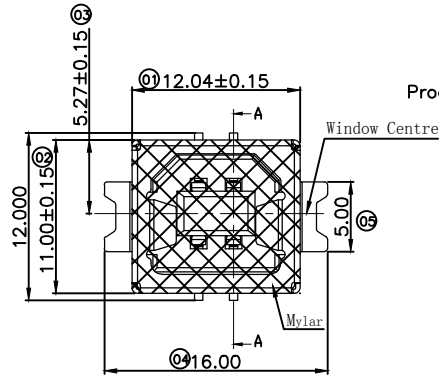
Durability: 1500 cycles Min.

4. 带"⊗" 尺寸为FAI,带"\*"尺寸重点尺寸,带"■" 尺寸为CPK尺寸;

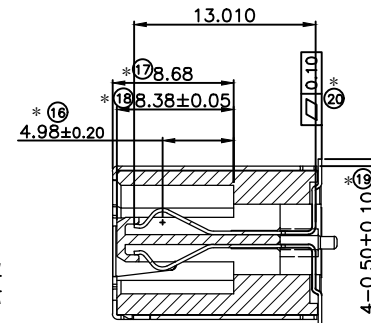
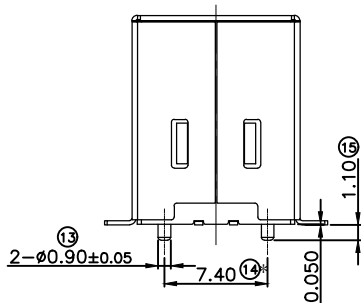
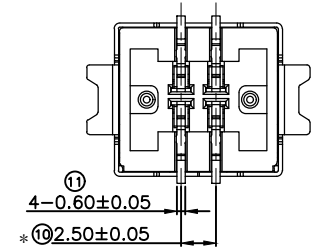
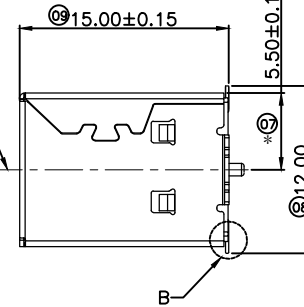
5. Ordering Information



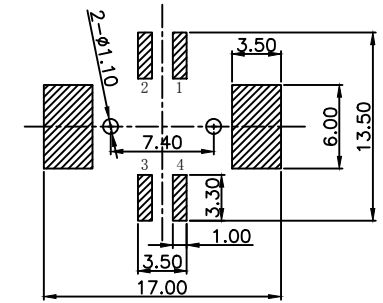
未贴Mylar



Product Center



SECTION A-A'



RECOMMENDED PCB LAYOUT(TOP VIEW)  
GENERAL TOLERANCES: ±0.05

■ PAD AREA

4	Mylar	PL000120006-010	高温唛啦 (W12.0*T0.06mm)	/
3	胶芯	HUB03L-1A3-BX00-H	黑色LCP, 无卤	
2	外壳	GUB165B-1A1-SN12	铜壳镀镍50u" Min.	
1	端子	GUB17P-1C3-NP01	镀半金亮锡G/F	
项次 NO.	品称 NAME	料号 P/N	表面处理 PLATING	备注 REMARK

单位 UNIT	MM	⊗ Inspection Item	HJ-Tech 东莞市皇捷通讯科技有限公司 手机: 15015292131 手机: 13714786106	
张数 SHEET	1/1	* : Cp/Cpk and SPC Control Item	图号 DWG NO.	2LS00P0012
制图 DRAWN		TOLERANCE UNLESS OTHERWISE SPECIFIED	名称 TITLE	USB BF 180度SMT铜黑卷装
审核 CHECKED		.X±0.25 .X±.3"	角法 PROJ.	成品图
版本 REV.		.XX±0.20 .X±1"		
		.XXX±0.15 .XX±		
NEW ISSUE	22.02.19	fozer	wulibo	
设定内容 MODIFICATION	日期 DATE	修改 DRAW	核准 APPROVE	