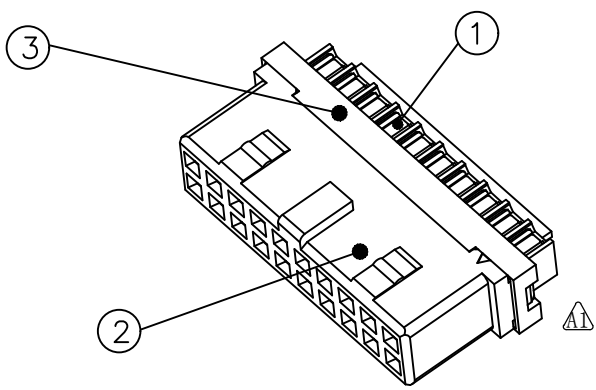
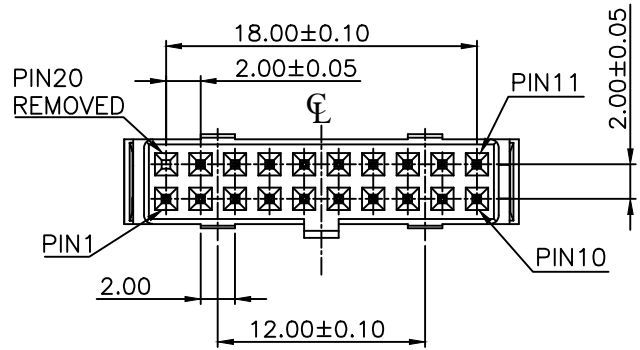
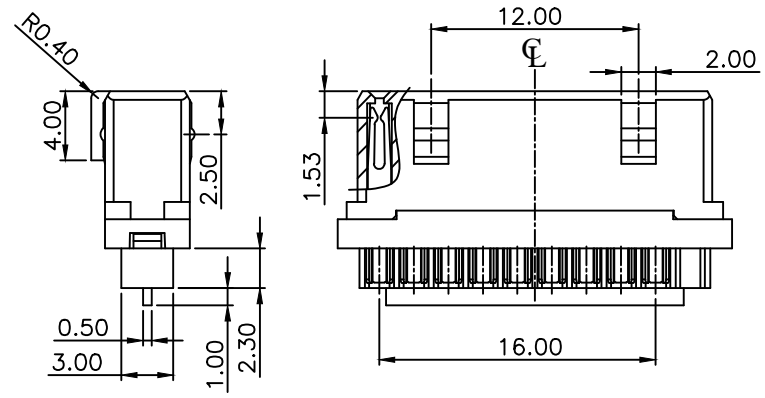
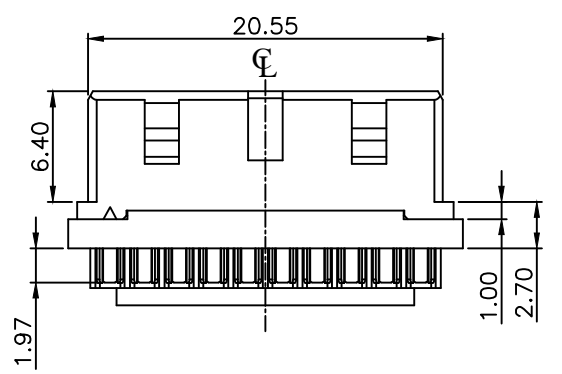


REV.	MODIFICATION	DATE	DRAW	APPROVE
A0	NEW	08.07.12	AVER	VCTOR
A1	修改两侧扣位	10.12.12		



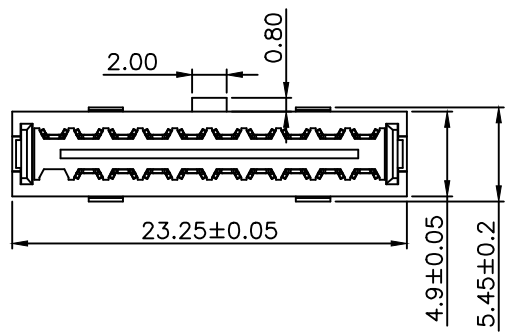
NOTE:
 1. ELECTRICAL:
 1.1 CONTACT RESISTANCE : 30 MILLIOHMS MAX.
 1.2 DIELECTRIC WITHSTANDING VOLTAGE : 500 VAC FOR 1 MINUTE.
 1.3 INSULATION RESISTANCE : 1000 MEGAOHMS MIN.
 1.4 VOLTAGE CURRENT RATING: 1.5 AMP. 30V AC
 2. ENVIRONMENTAL:
 OPERARION TEMPERATURE : -55°C~+85°C



ORDER INFORMATION:

UB 210 F W - 1 T 1
 ① ② ③ ④ ⑤ ⑥ ⑦

- SERES NO. USB
- NUMBER OF CONTACTS 004: 4 POSITIONS
- CONNECTING TYPES: F: FEMALE M: MALE
- BASE COLOR CODE W: BLUE B: BLACK
- CONTACT FINISH
 1: SELECTIVE3 1u" COLD PLATED OVER NICKL
 3: SELECTIVE3 3u" COLD PLATED OVER NICKL
 15: SELECTIVE3 15u" COLD PLATED OVER NICKL
- PACKING T: TRAY B: TUBE R: RELL P: PAG
- SUFFIX NO.



3	CAP	PBT			制图 DRAWN	Jeremy	单位 UNIT	mm	TOLERANCE UNLESS OTHERWISE SPECIFIED		HJ-Tech 东莞市皇捷通讯科技有限公司 手机: 15015262131 手机: 13714786106	
2	HOUSING	PBT			审核 CHECKED		比例 SCALE	1:1	.X±0.25	X'±3'	品名 TITLE	USB 3.0 HEADER PLUG
1	CONTACT	phosphor copper	SEE ORDER INFORMATION		核准 APPROVE		张数 SHEET	1/1	.XX±0.15	.X'±1'	图号 DWG NO.	2LS00P0007
项次 NO.	品名 NAME	材质 MATERIAL	表面处理 PLATING	备注 REMARK	角法 PROJ.				.XXX±0.05	.XX±		