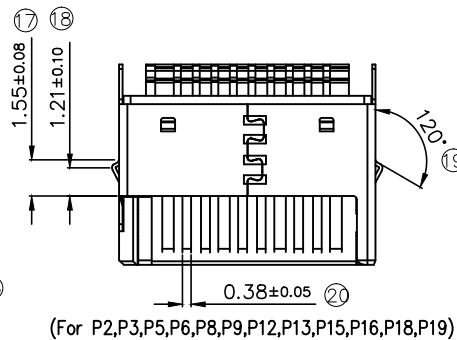
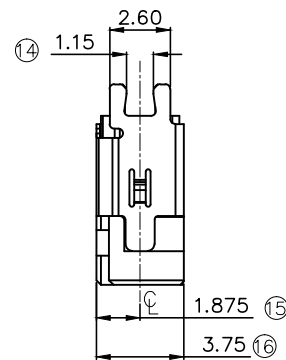
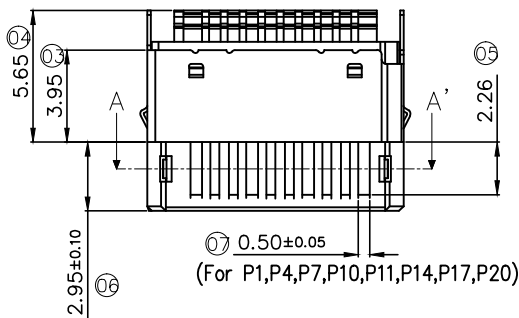
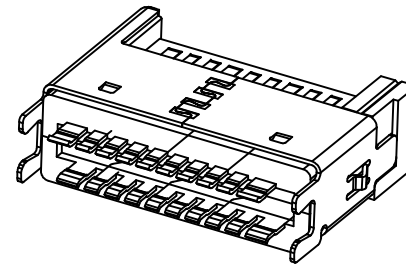
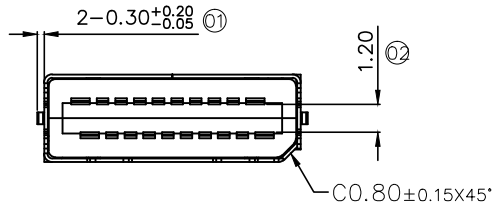
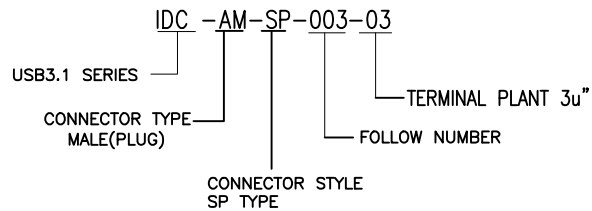


RoHS Compliant

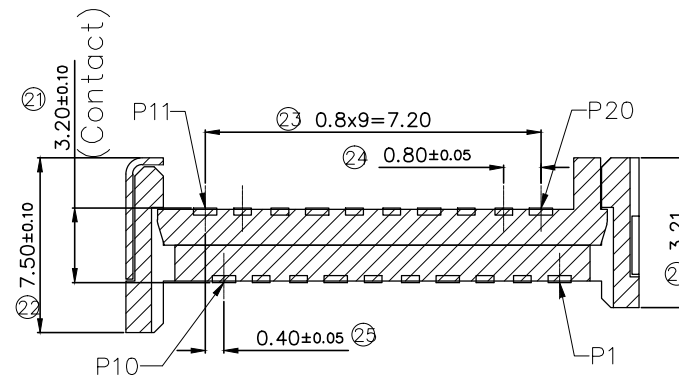
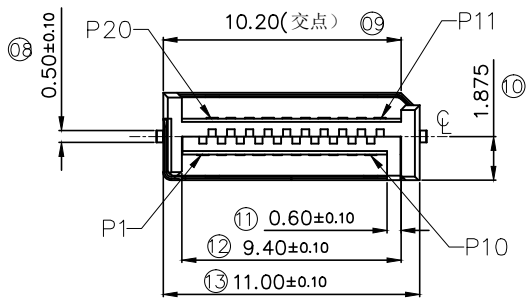
NOTE:

- Material:
 - Housing: LCP Black; Thermoplastics, UL94V-0; (Halogen free)
 - Contact: Copper Alloy (T=0.15mm)
 - Shell: Stainless Steel (T=0.15mm)
- FINISH:
 - Contact: Gold 3u" Plated on Contact Area, 80u" Min. Matte Tin Plated on Solder Tails Area, 50u" Min. Nickel Underplating Over All.
 - Shell: 50u" Min. Nickel Underplating Over All.
- Ordering information



PIN ASSIGNMENT

PIN NUMBER	SIGNAL NAME	PIN NUMBER	SIGNAL NAME
P1	VBUS	P11	VBUS
P2	TX1+	P12	TX2+
P3	TX1-	P13	TX2-
P4	GND	P14	GND
P5	RX1+	P15	RX2+
P6	RX1-	P16	RX2-
P7	VBUS	P17	GND
P8	CC	P18	D-
P9	SBU1	P19	D+
P10	SBU2	P20	VCONN



SECTION A-A'
Scale 2:1

4	Terminal	GUBXXX-1A1-VW03	3u"	2SET
3	Shell	GUBXXU-1A1-VN24	50u Min.	1PCS
2	Down Body	HUBXXL-1B1-BM30-H	LCP,BK	1PCS
1	UP Body	HUBXXL-1A1-BM30-H	LCP,BK	1PCS

單位	mm	◎ Inspection Item	HJ-Tech 东莞市皇捷通讯科技有限公司	
比例	1:1	■ Cp/Cpk and SPC Control Item	手机: 15015262131 手机: 13714786106	
張數	1/1	TOLERANCE UNLESS OTHERWISE SPECIFIED	圖號	2LS00P0005
製圖	EVAN	.XX±0.20	名稱	USB3.1 INTERNAL 20P PLUG CONN.
DATE	17.06.18	.XX±0.15	TITLE	(夾板型1.20MM)
REV.	NEW ISSUE	.XXX±0.10	角法	◎
	設變內容	XX±	PROJ.	客户图
	MODIFICATION			
	DATE			
	DRAW			
	APPROVE			
	CHECKED			