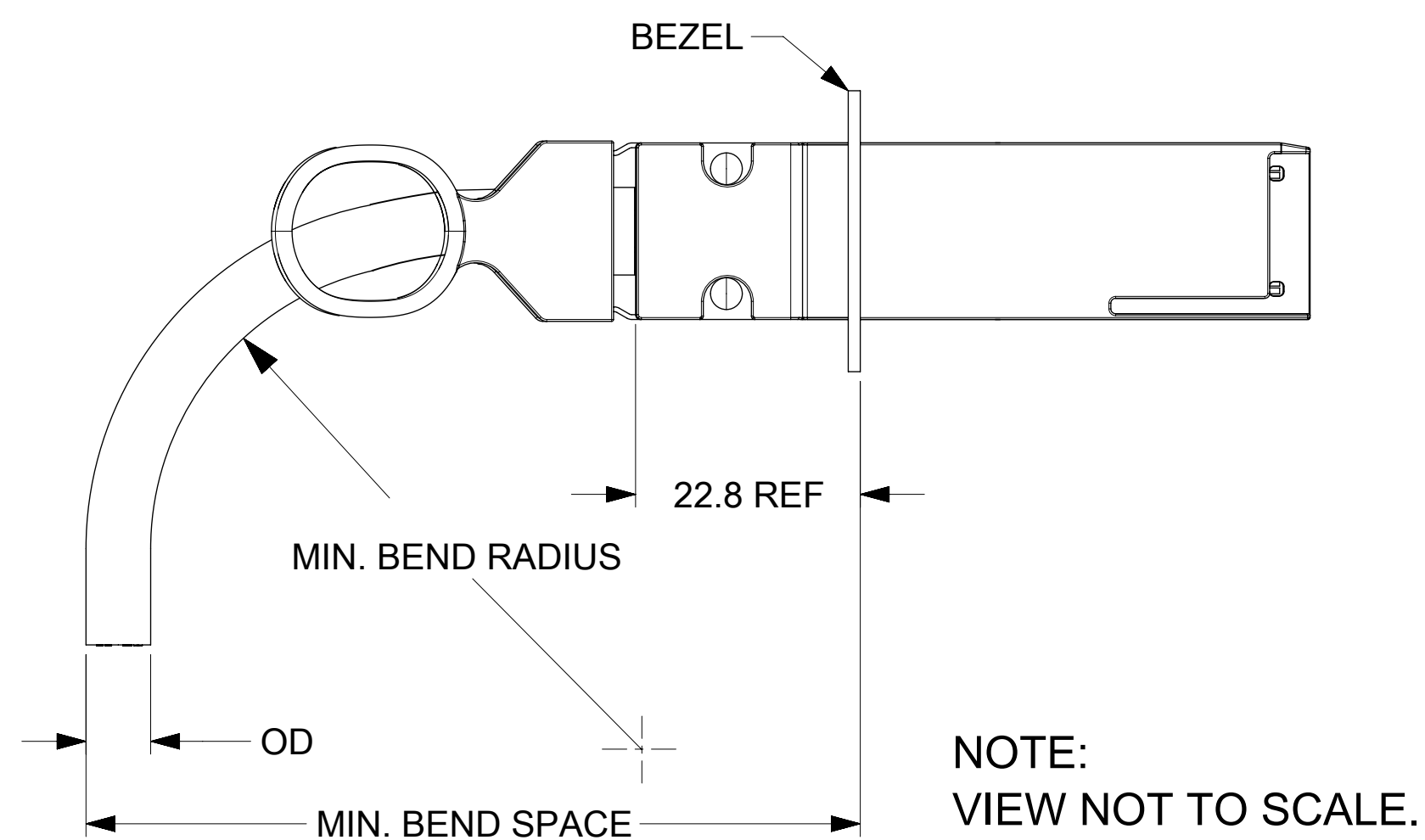


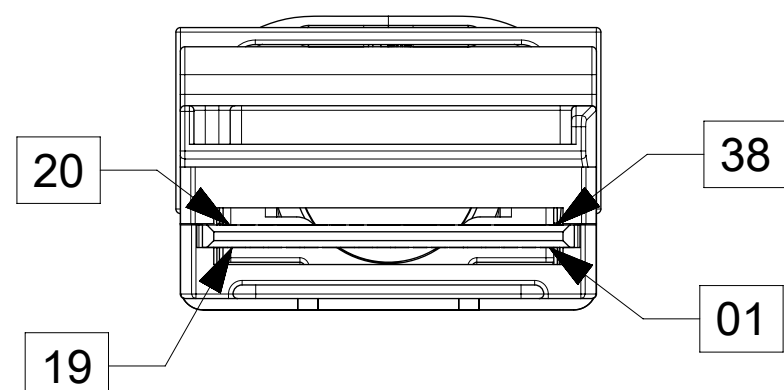
- NOTES:**
- CABLE LENGTH DEPENDS ON WIRE GAUGE, DATA RATE, AND HOST BOARD DRIVER CAPABILITIES
 - MATERIALS:
 BACKSHELLS - ZINC DIE CAST WITH BRIGHT NICKEL PLATING
 DELATCH - STAINLESS STEEL WITH OVERMOLDED NYLON
 RIVETS - STAINLESS STEEL
 - IMPEDANCE - 100 OHMS DIFFERENTIAL
 - CABLE IS UL RECOGNIZED (TBD)
 - EEPROM MAP AVAILABLE UPON REQUEST
 - RoHS COMPLIANT, NO EXEMPTIONS
 - ASSEMBLY TO BE SHIPPED WITH DUST COVERS INSTALLED ON ALL CABLE ENDS

| | | | | | |
|--|---|--|--|--------------------------|--|
| FUNCTIONAL SYMBOLS $\nabla_A = 0$ $\nabla_C = 0$ $\nabla_P = 0$ DIVISIONAL SYMBOLS | THIS DRAWING CONTAINS INFORMATION THAT IS PROPRIETARY TO MOLEX ELECTRONIC TECHNOLOGIES, LLC AND SHOULD NOT BE USED WITHOUT WRITTEN PERMISSION | | CURRENT REV DESC: SHEET3 : IN ZONE G8 TEXT " *CABLES MAY NOT MEET ALL SI PARAMETERS OF IEEE 802.3CD " ADDED. | | |
| | mm | 1:1 | EC NO: 746689 | | |
| | GENERAL TOLERANCES (UNLESS SPECIFIED) | | DRWN: KIRANG5 2023/04/12 | | |
| | ANGULAR TOL ± 5.0° | | CHK'D: VITTAD 2023/04/14 | | |
| 4 PLACES ± | | APPR: SCHANNARAYAN 2023/04/19 | | PRODUCT CUSTOMER DRAWING | |
| 3 PLACES ± | | INITIAL REVISION: | | DOCUMENT NUMBER | |
| 2 PLACES ± 0.13 | | DRWN: GWATERWORTH 2017/12/07 | | 2065661000 | |
| 1 PLACE ± 0.25 | | APPR: ADTUCKER 2017/12/14 | | PSD 000 H | |
| 0 PLACES ± | | DRAFT WHERE APPLICABLE MUST REMAIN WITHIN DIMENSIONS | | SHEET NUMBER | |
| THIRD ANGLE PROJECTION | | DRAWING | | MATERIAL NUMBER | |
| D-SIZE | | SERIES | | CUSTOMER | |
| 206566 | | SEE P/N TABLE | | GENERAL MARKET | |
| 1 OF 3 | | | | | |

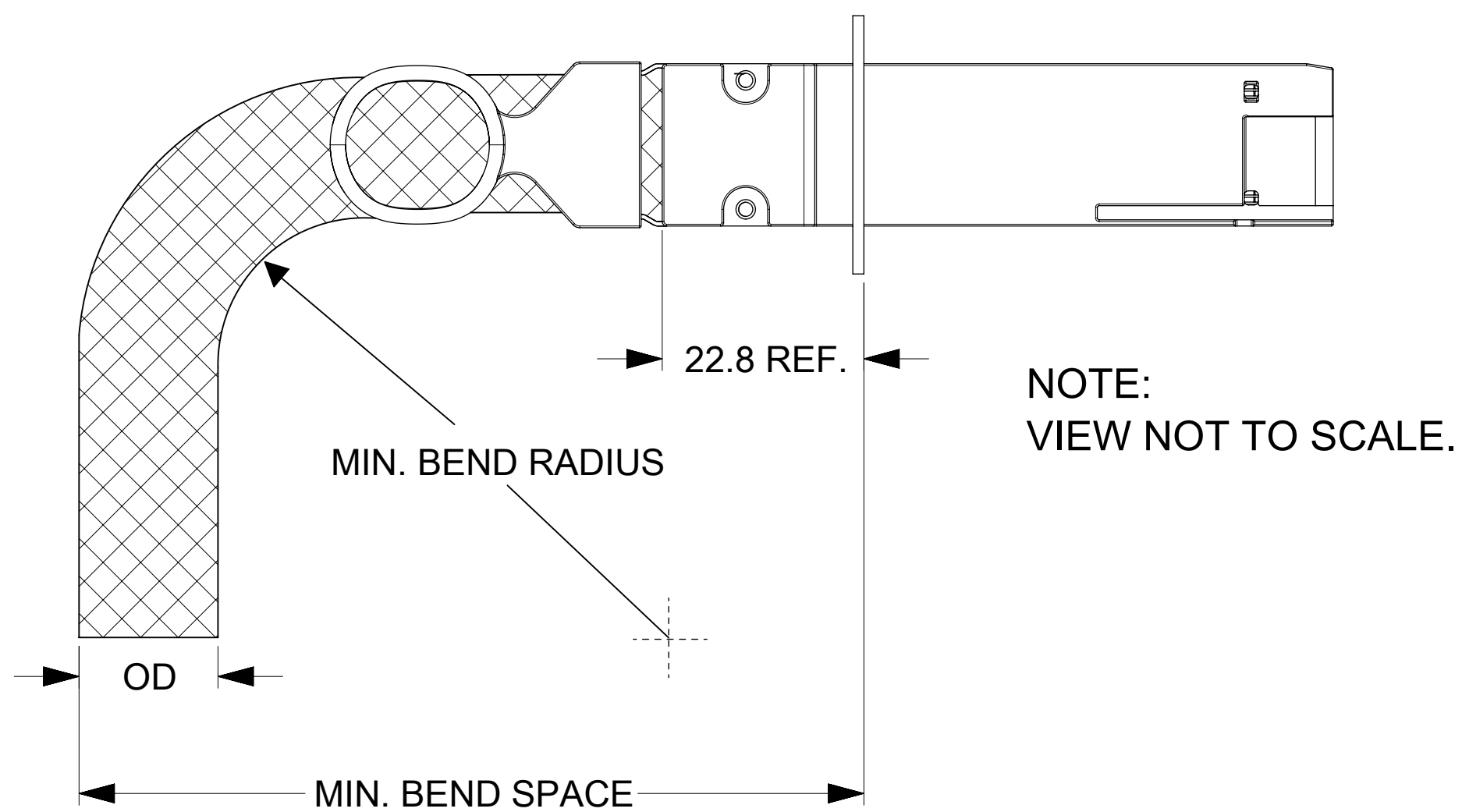
zQSFP+ CABLE BEND RADIUS



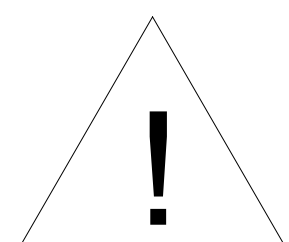
| CABLE AWG | OD (mm) | MIN BEND RADIUS (mm) | MIN BEND SPACE (mm) |
|-----------|---------|----------------------|---------------------|
| 26 | 6.8 | 34 | 63.6 |
| 28 | 6.5 | 32.5 | 61.8 |
| 30 | 5.9 | 29.5 | 58.2 |



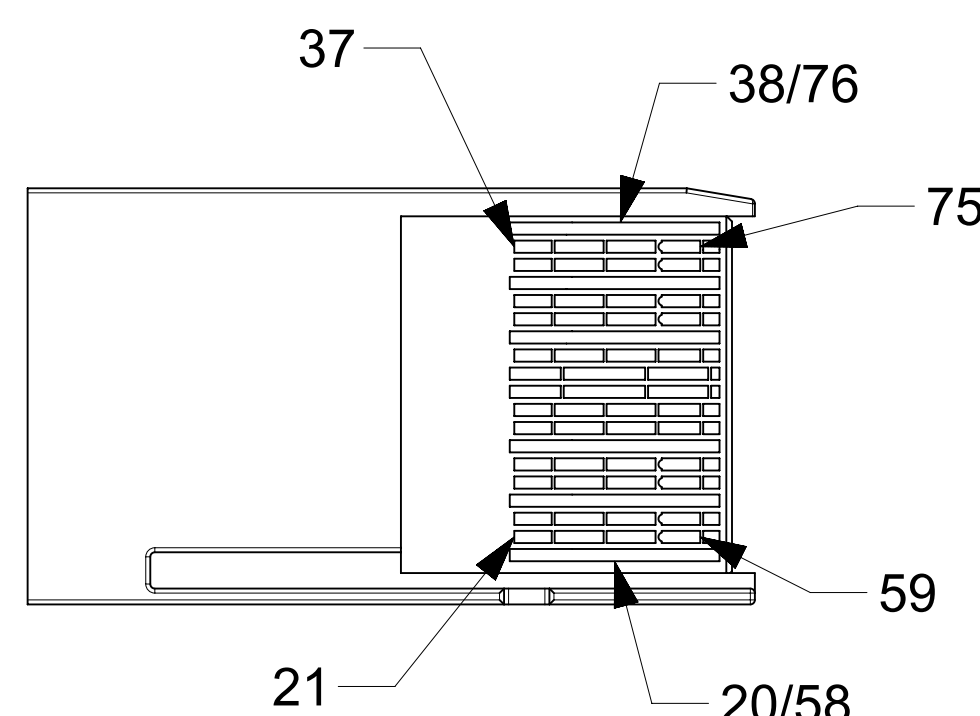
QSFP-DD CABLE BEND RADIUS



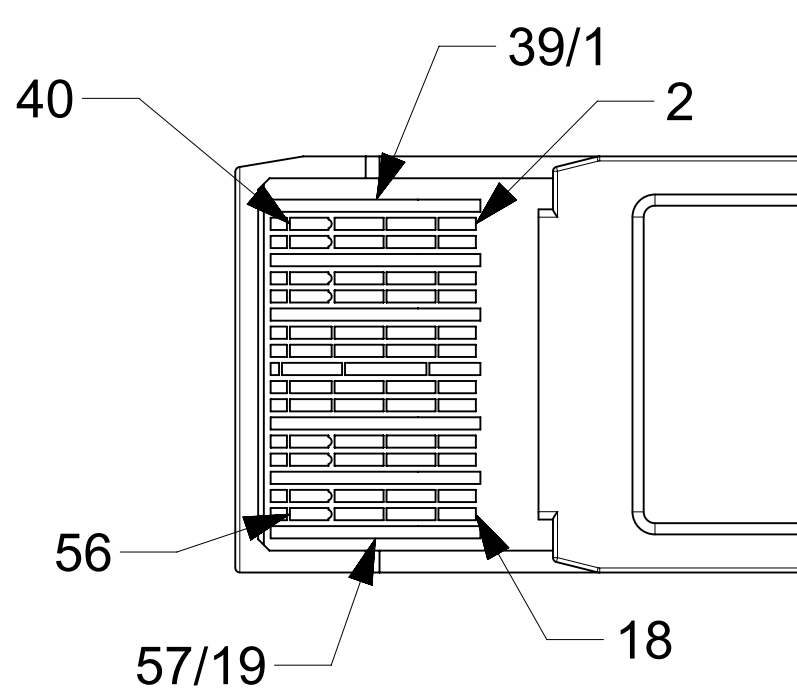
| CABLE AWG | OD (mm) | MIN BEND RADIUS (mm) | MIN BEND SPACE (mm) |
|-----------|---------|----------------------|---------------------|
| 26 | (13) | (65) | (101) |
| 28 | 12.5 | 62.5 | 97.8 |
| 30 | (9.4) | (47) | (79) |



MINIMUM BEND RADIUS PENDING QUALIFICATION. NUMBERS ABOVE ARE ESTIMATES AND SUBJECT TO CHANGE.



TOP VIEW



BOTTOM VIEW

LOW SPEED SIGNALS P1, P2, P3, P4, & P5

| PAD | SIGNAL |
|-----|-----------|
| 8 | MODSELL |
| 9 | RESETL |
| 10 | VCCRFX |
| 11 | SCL |
| 12 | SDA |
| 27 | MODPRSL |
| 28 | INTL |
| 29 | VCCTX |
| 30 | VCC1 |
| 31 | INIT_MODE |
| 46 | OPEN |
| 47 | OPEN |
| 48 | OPEN |
| 49 | OPEN |
| 50 | OPEN |
| 65 | OPEN |
| 66 | OPEN |
| 67 | OPEN |
| 68 | OPEN |
| 69 | OPEN |

WIRING DIAGRAM

| QSFP-DD | | | zQSFP+ | | |
|---------|--------|------|--------|--------|-----|
| PAD | SIGNAL | LEG | PAD | SIGNAL | LEG |
| 1 | GND | ---- | 20 | GND | P2 |
| 2 | TX2n | ---> | 21 | RX2n | |
| 3 | TX2p | ---> | 22 | RX2p | |
| 4 | GND | ---- | 20 | GND | P3 |
| 5 | TX4n | ---> | 21 | RX2n | |
| 6 | TX4p | ---> | 22 | RX2p | |
| 7 | GND | ---- | | GND | P2 |
| 13 | GND | ---- | | GND | |
| 14 | RX3p | <--- | 36 | TX1p | |
| 15 | RX3n | <--- | 37 | TX1n | P3 |
| 16 | GND | ---- | 38 | GND | |
| 17 | RX1p | <--- | 36 | TX1p | |
| 18 | RX1n | <--- | 37 | TX1n | P2 |
| 19 | GND | ---- | 38 | GND | |
| 20 | GND | ---- | 1 | GND | |
| 21 | RX2n | <--- | 2 | TX2n | P3 |
| 22 | RX2p | <--- | 3 | TX2p | |
| 23 | GND | ---- | 1 | GND | |
| 24 | RX4n | <--- | 2 | TX2n | P2 |
| 25 | RX4p | <--- | 3 | TX2p | |
| 26 | GND | ---- | | GND | |
| 32 | GND | ---- | | GND | P3 |
| 33 | TX3p | ---> | 17 | RX1p | |
| 34 | TX3n | ---> | 18 | RX1n | |
| 35 | GND | ---- | 19 | GND | P2 |
| 36 | TX1p | ---> | 17 | RX1p | |
| 37 | TX1n | ---> | 18 | RX1n | |
| 38 | GND | ---- | 19 | GND | P4 |

WIRING DIAGRAM

| QSFP-DD | | | zQSFP+ | | |
|---------|--------|------|--------|--------|-----|
| PAD | SIGNAL | LEG | PAD | SIGNAL | LEG |
| 39 | GND | ---- | 20 | GND | P4 |
| 40 | TX6n | ---> | 21 | RX2n | |
| 41 | TX6p | ---> | 22 | RX2p | |
| 42 | GND | ---- | 20 | GND | P5 |
| 43 | TX8n | ---> | 21 | RX2n | |
| 44 | TX8p | ---> | 22 | RX2p | |
| 45 | GND | ---- | | GND | P2 |
| 51 | GND | ---- | | GND | |
| 52 | RX7p | <--- | 36 | TX1p | |
| 53 | RX7n | <--- | 37 | TX1n | P3 |
| 54 | GND | ---- | 38 | GND | |
| 55 | RX5p | <--- | 36 | TX1p | |
| 56 | RX5n | <--- | 37 | TX1n | P2 |
| 57 | GND | ---- | 38 | GND | |
| 58 | GND | ---- | 1 | GND | |
| 59 | RX6n | <--- | 2 | TX2n | P4 |
| 60 | RX6p | <--- | 3 | TX2p | |
| 61 | GND | ---- | 1 | GND | |
| 62 | RX8n | <--- | 2 | TX2n | P3 |
| 63 | RX8p | <--- | 3 | TX2p | |
| 64 | GND | ---- | | GND | |
| 70 | GND | ---- | | GND | P5 |
| 71 | TX7p | ---> | 17 | RX1p | |
| 72 | TX7n | ---> | 18 | RX1n | |
| 73 | GND | ---- | 19 | GND | P2 |
| 74 | TX5p | ---> | 17 | RX1p | |
| 75 | TX5n | ---> | 18 | RX1n | |
| 76 | GND | ---- | 19 | GND | P4 |

NOTES:

- DC BLOCKING CAPS ON RECEIVE SIDE ONLY
- CABLE COILED AND PACKAGED IN BEST FIT ESD BAG AND SEALED WITH ESD LABEL FOR SHIPPING

| | | | | |
|--|---|-------------------------------------|--|----------------------------|
| FUNCTIONAL SYMBOLS FA = 0 FE = 0 FP = 0 | THIS DRAWING CONTAINS INFORMATION THAT IS PROPRIETARY TO MOLEX ELECTRONIC TECHNOLOGIES, LLC AND SHOULD NOT BE USED WITHOUT WRITTEN PERMISSION | | CURRENT REV DESC: SHEET3 : IN ZONE G8 TEXT *CABLES MAY NOT MEET ALL SI PARAMETERS OF IEEE 802.3CD * ADDED. | |
| | DIMENSION UNITS mm | SCALE 1:1 | | |
| DIVISIONAL SYMBOLS | GENERAL TOLERANCES (UNLESS SPECIFIED) | | EC NO: 746689 | |
| | ANGULAR TOL ± 5.0° | | DRWN: KIRANG5 | 2023/04/12 |
| | 4 PLACES ± | | CHK'D: VITTAD | 2023/04/14 |
| | 3 PLACES ± | | APPR: SCHANNARAYAN | 2023/04/19 |
| | 2 PLACES ± 0.13 | | INITIAL REVISION: | |
| 1 PLACE ± 0.25 | | DRWN: GWATERWORTH | 2017/12/07 | |
| 0 PLACES ± | | APPR: ADTUCKER | 2017/12/14 | |
| DRAFT WHERE APPLICABLE MUST REMAIN WITHIN DIMENSIONS | | THIRD ANGLE PROJECTION | DRAWING D-SIZE | SERIES 206566 |
| DOCUMENT STATUS P1 | | RELEASE DATE 2023/04/19 15:28:59 | MATERIAL NUMBER SEE P/N TABLE | CUSTOMER GENERAL MARKET |
| | | | DOCUMENT NUMBER 2065661000 | DOC TYPE PSD |
| | | | DOC PART 000 | REVISION H |
| | | | SHEET NUMBER 2 OF 3 | |

molex

QSFP-DD TO (4) ZQSFP+ 56G CABLE ASY

PRODUCT CUSTOMER DRAWING

DOCUMENT NUMBER DOC TYPE DOC PART REVISION

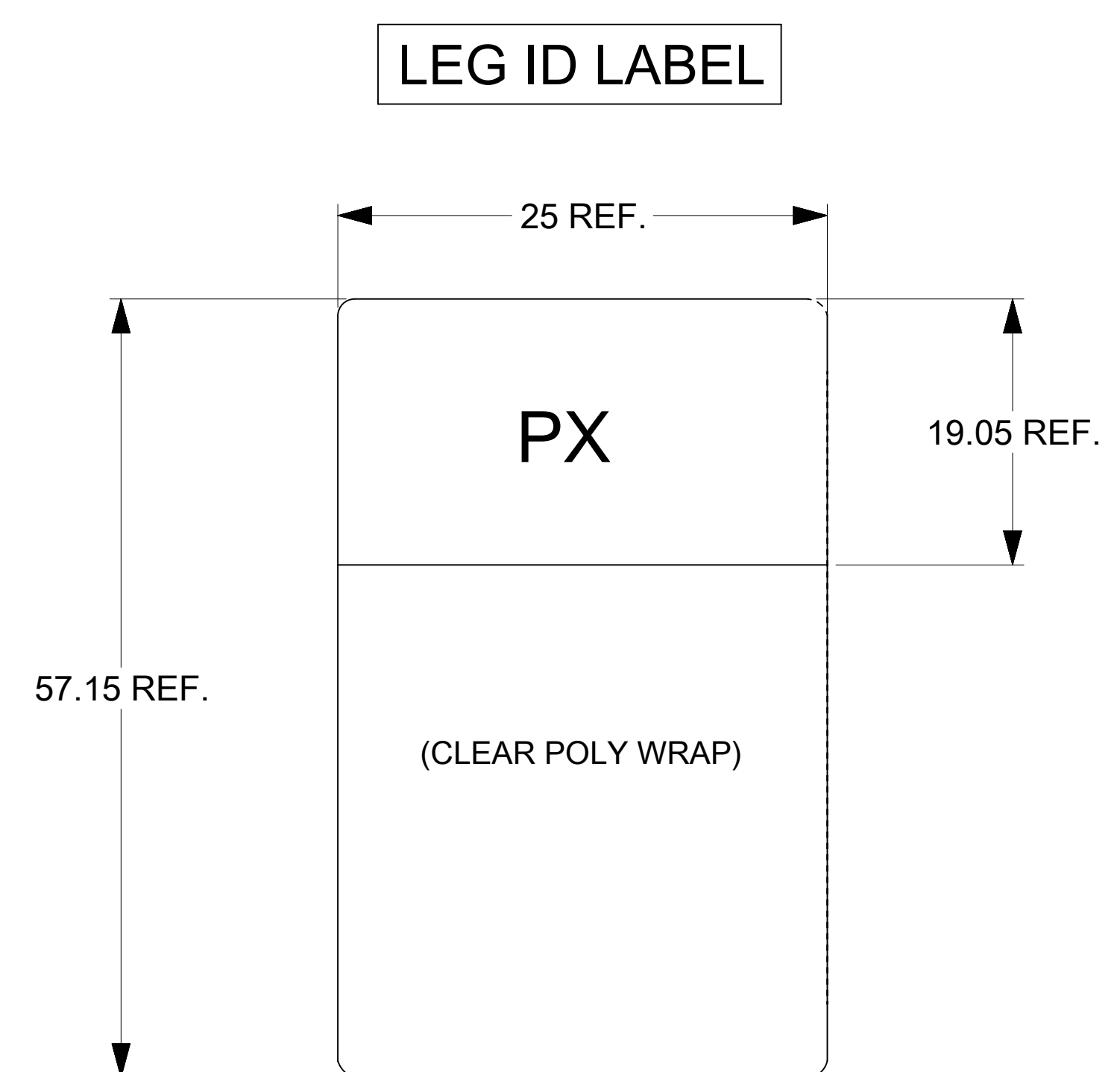
2065661000

PSD 000 H

MATERIAL NUMBER CUSTOMER SHEET NUMBER

SEE P/N TABLE GENERAL MARKET

2 OF 3



| MOLEX P/N | LENGTH (M) | AWG |
|-------------|----------------|-----|
| 2065661005 | 0.5M +/- 0.05M | 30 |
| 2065661010 | 1.0M +/- 0.05M | 30 |
| 2065661015 | 1.5M +/- 0.08M | 30 |
| 2065663005* | 0.5M +/- 0.05M | 28 |
| 2065663010 | 1.0M +/- 0.05M | 28 |
| 2065663015 | 1.5M +/- 0.08M | 28 |
| 2065663020 | 2.0M +/- 0.08M | 28 |
| 2065663025 | 2.5M +/- 0.08M | 28 |
| 2065663030 | 3.0M +/- 0.08M | 26 |

*CABLES MAY NOT MEET ALL SI PARAMETERS OF IEEE 802.3CD

P/N: 206566XXXX - MOLEX PART NUMBER (SEE P/N TABLE)

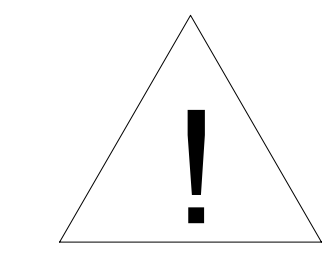
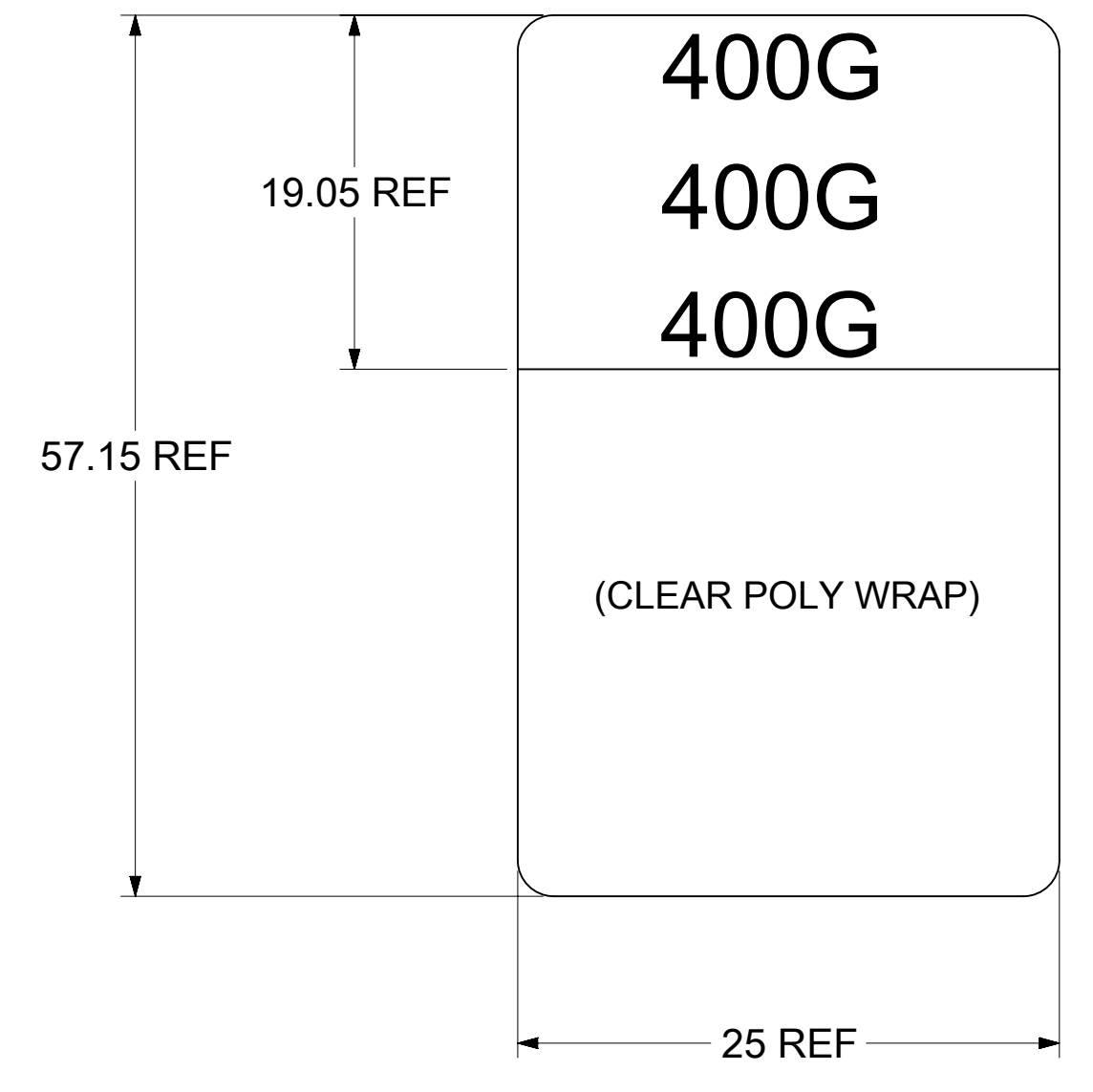
X.XM - CABLE LENGTH IN METERS (EXAMPLES - 0.5M, 1.0M, 1.5M)

XXAWG - CABLE SIZE IN AWG

S/N: YYDDDLSSSS - SERIAL NUMBER
 YY = YEAR, THE LAST 2 DIGITS OF YEAR
 DDD = DAY OF THE YEAR
 L = LOCATION
 1 - USA
 2 - MEXICO
 3 - CHINA
 4 - PHILIPPINES
 SSSS = SERIAL NUMBER (0001-9999)

PX: P2 - P5

SPEED LABEL



**TENTATIVE PROPOSAL
 PENDING ELECTRICAL QUALIFICATION**

| | | | | |
|--|---|-------------------------------|---|----------------|
| FUNCTIONAL SYMBOLS FA = 0 FC = 0 FP = 0 DIVISIONAL SYMBOLS | THIS DRAWING CONTAINS INFORMATION THAT IS PROPRIETARY TO MOLEX ELECTRONIC TECHNOLOGIES, LLC AND SHOULD NOT BE USED WITHOUT WRITTEN PERMISSION | | CURRENT REV DESC: SHEET3 : IN ZONE G8 TEXT " | |
| | DIMENSION UNITS | SCALE | *CABLES MAY NOT MEET ALL SI PARAMETERS OF IEEE 802.3CD " ADDED. | |
| | mm | 1:1 | | |
| | GENERAL TOLERANCES (UNLESS SPECIFIED) | | EC NO: 746689 | |
| ANGULAR TOL ± 5.0° | | DRWN: KIRANG5 2023/04/12 | | |
| 4 PLACES ± | | CHK'D: VITTAD 2023/04/14 | | |
| 3 PLACES ± | | APPR: SCHANNARAYAN 2023/04/19 | | |
| 2 PLACES ± 0.13 | | INITIAL REVISION: | | |
| 1 PLACE ± 0.25 | | DRWN: GWATERWORTH 2017/12/07 | | |
| 0 PLACES ± | | APPR: ADTUCKER 2017/12/14 | | |
| DRAFT WHERE APPLICABLE MUST REMAIN WITHIN DIMENSIONS | | THIRD ANGLE PROJECTION | DRAWING | SERIES |
| | | | D-SIZE | 206566 |
| | | MATERIAL NUMBER | | CUSTOMER |
| | | SEE P/N TABLE | | GENERAL MARKET |
| | | DOCUMENT NUMBER | | DOC TYPE |
| | | 2065661000 | | PSD |
| | | DOC PART | | 000 |
| | | REVISION | | H |
| | | SHEET NUMBER | | 3 OF 3 |