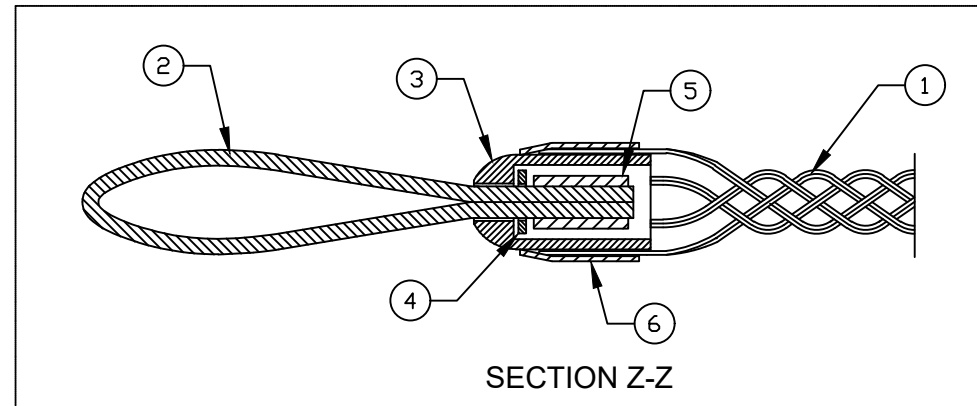
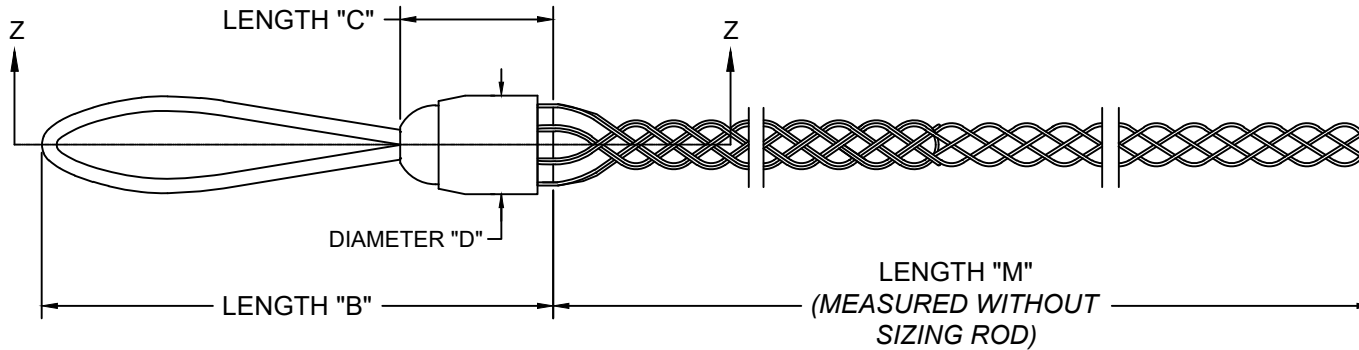


CATALOG NUMBER	MATERIAL NUMBER	CABLE RANGE	LENGTH "M"	LENGTH "B"	LENGTH "C" REF.	DIAMETER "D" REF.	APPROXIMATE BREAK STRENGTH (LBS/N)	UL LISTED	CSA APPROVED
36660	-----	.100-.200 / 2.54-5.08	9.00±0.75 / 228.6±19.1	5.50±0.25 / 139.7±6.4	1.40 / 35.6	.80 / 20.3	1000 / 4448	NO	YES
36662	1300950298	.320-.480 / 8.13-12.19	18.00±1.00 / 457.2±25.4	5.75±0.25 / 146.1±6.4	1.40 / 35.6	.90 / 22.9	2200 / 9786		
36664	1300950300	.530-.740 / 13.46-18.80	24.00±1.25 / 609.6±31.8	6.25±0.25 / 158.8±6.4	1.49 / 37.8	1.15 / 29.2	3300 / 14679		
36665	1300950301	.640-.875 / 16.26-22.23	27.00±1.25 / 685.8±31.8	6.25±0.25 / 158.8±6.4	1.49 / 37.8	1.15 / 29.2	4700 / 20907		



ITEM	DESCRIPTION	MATERIAL
1	WIRE MESH	GALVANIZED STEEL
2	BALE WIRE	GALVANIZED STEEL
3	BALE NOSE	STEEL
4	WASHER	NYLATRON
5	SWAGING FERRULE	STEEL
6	OUTER RING	STEEL

FUNCTIONAL SYMBOLS										THIS DRAWING CONTAINS INFORMATION THAT IS PROPRIETARY TO MOLEX ELECTRONIC TECHNOLOGIES, LLC AND SHOULD NOT BE USED WITHOUT WRITTEN PERMISSION																													
DIMENSION UNITS					SCALE					CURRENT REV DESC: OBSOLETE PART NUMBER AS PER PCN#510808																													
INCH/MM					NTS																																		
GENERAL TOLERANCES (UNLESS SPECIFIED)										EC NO: 736640					PULLING GRIPS FIBER OPTIC ROTATING EYE																								
										DRWN: SUGEEB 2022/12/21																													
										CHK'D: LIKITV 2023/02/14					PRODUCT CUSTOMER DRAWING																								
										APPR: GGA 2023/02/16																													
DIVISIONAL SYMBOLS										INITIAL REVISION:					DOCUMENT NUMBER					DOC TYPE/DOC PART/REVISION																			
										DRWN: HRUIZ01 2015/03/19					SD-130095-118					PSD 001 A1																			
										APPR: JFMURPHY 2015/06/12					MATERIAL NUMBER					CUSTOMER					SHEET NUMBER														
DRAFT WHERE APPLICABLE MUST REMAIN WITHIN DIMENSIONS										THIRD ANGLE PROJECTION					DRAWING					SERIES					MATERIAL NUMBER					CUSTOMER					SHEET NUMBER				
															A-SIZE					130095					SEE TABLE					GENERAL MARKET					1 OF 1				