

# SAC-12P-MR/ 3,0-35T SH SCO - Sensor/actuator cable



1430093

<https://www.phoenixcontact.com/us/products/1430093>

Please be informed that the data shown in this PDF document is generated from our online catalog. Please find the complete data in the user documentation. Our general terms of use for downloads are valid.



Sensor/actuator cable, 12-position, shielded, Plug angled M12, coding: A SPEEDCON, on free cable end, cable length: 3 m

## Your advantages

- Easy and safe: 100% electrically tested plug-in components
- Save time, thanks to installation with SPEEDCON fast locking system
- Save space – with high-pos. connectors
- Reliable signal transmission – 360° shielding in environments with electromagnetic interference

## Commercial data

Item number	1430093
Packing unit	1 pc
Minimum order quantity	1 pc
Sales key	BF03
Product key	BF1CNA
Catalog page	Page 214 (C-2-2019)
GTIN	4046356322362
Weight per piece (including packing)	296.4 g
Weight per piece (excluding packing)	299.6 g
Customs tariff number	85444290
Country of origin	DE

# SAC-12P-MR/ 3,0-35T SH SCO - Sensor/actuator cable



1430093

<https://www.phoenixcontact.com/us/products/1430093>

## Technical data

### Product properties

Product type	Sensor/actuator cable
Number of positions	12
Application	Standard
No. of cable outlets	1
Shielded	yes
Coding	A

### Insulation characteristics

Overvoltage category	II
Degree of pollution	3

### Material specifications

Flammability rating according to UL 94	V0
Material of grip body	TPU, hardly inflammable, self-extinguishing
Contact material	CuZn
Contact surface material	Ni/Au
Contact carrier material	PA 6.6
Material for screw connection	Zinc die-cast, nickel-plated

### Electrical properties

Contact resistance	$\leq 5 \text{ m}\Omega$
Insulation resistance	$\geq 10 \text{ M}\Omega$
Nominal voltage $U_N$	30 V AC
	30 V DC
Nominal current $I_N$	1.5 A
Protective circuit	unwired

### Signaling

Status display	No
Status display present	No

### Connection data

#### Conductor connection

Tightening torque	0.4 Nm (M12 connector)
-------------------	------------------------

### Connector

#### Connection 1

Type	Plug angled M12 SPEEDCON
Number of positions	12
Coding type	A

# SAC-12P-MR/ 3,0-35T SH SCO - Sensor/actuator cable



1430093

<https://www.phoenixcontact.com/us/products/1430093>

Number of positions	12
Locking type	SPEEDCON

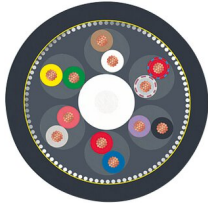
## Connection 2

Type	free cable end
------	----------------

## Cable/line

Cable length	3 m
--------------	-----

### Black PUR/PVC twisted pair [35T]

Dimensional drawing	
Cable weight	87 kg/km
UL AWM Style	20233 / 1061 (80°C/300 V)
Number of positions	12
Shielded	yes
Cable type	Black PUR/PVC twisted pair [35T]
Conductor structure signal line	18x 0.10 mm
AWG signal line	26
Conductor cross section	12x 0.14 mm <sup>2</sup> (Signal line)
Wire diameter incl. insulation	1 mm ±0.05 mm (Signal line)
External cable diameter	8.5 mm ±0.2 mm
Outer sheath, material	PUR
External sheath, color	black RAL 9005
Conductor material	Tin-plated Cu litz wires
Material wire insulation	PVC
Single wire, color	white-brown, green-yellow, gray-pink, blue-red, black-violet, gray/pink-red/blue
Twisted pairs	2 cores to the pair
Overall twist	Six pairs around the filler to the core
Optical shield covering	85 %
Max. conductor resistance	≤ 142 Ω/km (at 20 °C)
Insulation resistance	≥ 10 MΩ*km (at 20 °C)
Nominal voltage, cable	42 V AC
Test voltage	1500 V AC
Minimum bending radius, fixed installation	5 x D
Minimum bending radius, flexible installation	10 x D
Max. bending cycles	2000000
Flame resistance	According to DIN EN 60332-1-2

# SAC-12P-MR/ 3,0-35T SH SCO - Sensor/actuator cable



1430093

<https://www.phoenixcontact.com/us/products/1430093>

	According to VW-1
Resistance to oil	in accordance with DIN EN 60811-2-1
Other resistance	hydrolysis and microbe resistant in accordance with EN 50396
Special properties	Flexible cable conduit capable
Ambient temperature (operation)	-30 °C ... 80 °C (cable, fixed installation)
	-5 °C ... 80 °C (Cable, flexible installation)

## Environmental and real-life conditions

### Ambient conditions

Degree of protection	IP65
	IP67
Ambient temperature (operation)	-25 °C ... 85 °C (Plug / socket)
	-40 °C ... 80 °C (cable, fixed installation)
	-5 °C ... 80 °C (Cable, flexible installation)

## Standards and regulations

Standard designation	M12 connector
Standards/specifications	IEC 61076-2-101

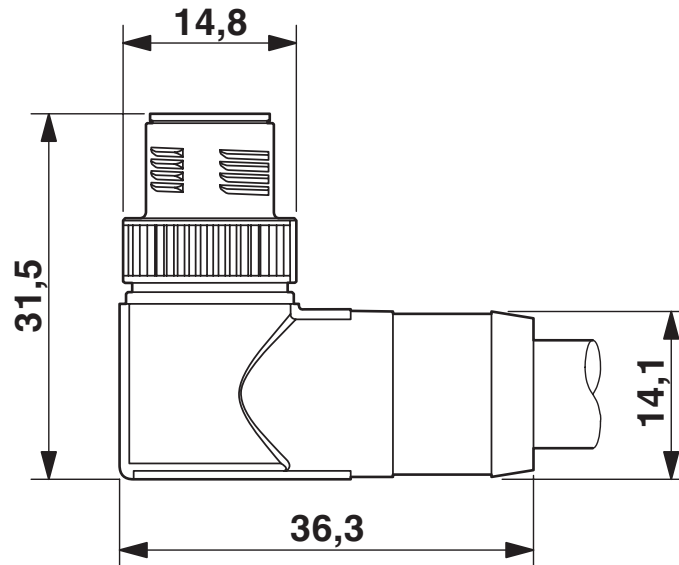
# SAC-12P-MR/ 3,0-35T SH SCO - Sensor/actuator cable

1430093

<https://www.phoenixcontact.com/us/products/1430093>

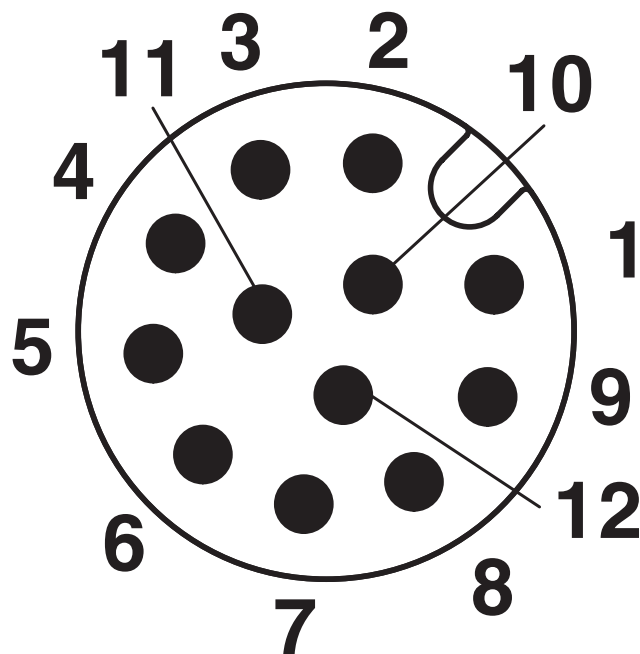
## Drawings

Dimensional drawing



Plug M12 SPEEDCON, angled, shielded

Schematic diagram



Pin assignment M12 male connector, 12-pos., male side view

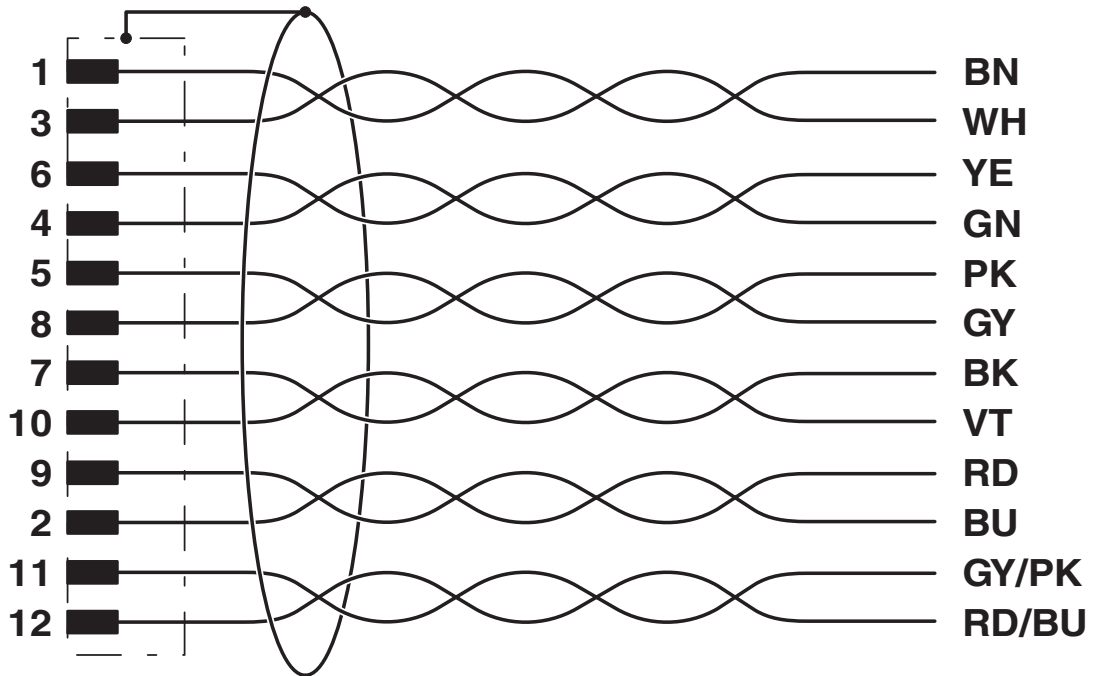
# SAC-12P-MR/ 3,0-35T SH SCO - Sensor/actuator cable



1430093

<https://www.phoenixcontact.com/us/products/1430093>

Circuit diagram



# SAC-12P-MR/ 3,0-35T SH SCO - Sensor/actuator cable



1430093

<https://www.phoenixcontact.com/us/products/1430093>

## Approvals

To download certificates, visit the product detail page: <https://www.phoenixcontact.com/us/products/1430093>



**EAC**

Approval ID: RU C-DE.BL08.B.00286



**UL Listed**

Approval ID: FILE E 221474

	Nominal voltage $U_N$	Nominal current $I_N$	Cross section AWG	Cross section $\text{mm}^2$
	30 V	1 A	-	-



**EAC-RoHS**

Approval ID: RU D-DE.HB35.B.00387

# SAC-12P-MR/ 3,0-35T SH SCO - Sensor/actuator cable



1430093

<https://www.phoenixcontact.com/us/products/1430093>

## Classifications

### ECLASS

ECLASS-11.0	27060311
ECLASS-12.0	27060311
ECLASS-13.0	27060311

### ETIM

ETIM 8.0	EC001855
----------	----------

### UNSPSC

UNSPSC 21.0	26121600
-------------	----------



# SAC-12P-MR/ 3,0-35T SH SCO - Sensor/actuator cable



1430093

<https://www.phoenixcontact.com/us/products/1430093>

## Environmental product compliance

REACH SVHC	Lead 7439-92-1
China RoHS	Environmentally Friendly Use Period = 50 years
	For information on hazardous substances, refer to the manufacturer's declaration available under "Downloads"

# SAC-12P-MR/ 3,0-35T SH SCO - Sensor/actuator cable



1430093

<https://www.phoenixcontact.com/us/products/1430093>

## Accessories

### PROT-M12 FS-PA-CHAIN - Sealing cap

1430873

<https://www.phoenixcontact.com/us/products/1430873>

M12 sealing cap made of plastic with fixing band, for sensor cables, for free M12 plugs



---

### SAC-M12-EXCLIP-M - Locking clip

1558988

<https://www.phoenixcontact.com/us/products/1558988>

Locking clip for the pin side of sensor/actuator cables with M12 connector and M12 connectors for assembly, for knurl diameter: 15 mm or for Allen key with a wrench size of 14 mm, prevents the disconnection of plug-in connections without tools



# SAC-12P-MR/ 3,0-35T SH SCO - Sensor/actuator cable



1430093

<https://www.phoenixcontact.com/us/products/1430093>

## UCT-WMT (23X4) - Conductor marker

0801453

<https://www.phoenixcontact.com/us/products/0801453>



Conductor marker, Sheet, white, unlabeled, can be labeled with: TOPMARK NEO, TOPMARK LASER, BLUEMARK ID COLOR, BLUEMARK ID, BLUEMARK CLED, THERMOMARK PRIME, THERMOMARK CARD 2.0, THERMOMARK CARD, mounting type: insert, cable diameter range: 1.5 ... 35 mm, lettering field size: 23 x 4 mm, Number of individual labels: 30

---

## UC-WMT (23X4) - Conductor marker

0819411

<https://www.phoenixcontact.com/us/products/0819411>



Conductor marker, Sheet, white, unlabeled, can be labeled with: BLUEMARK ID COLOR, BLUEMARK ID, BLUEMARK CLED, PLOTMARK, CMS-P1-PLOTTER, mounting type: insert, cable diameter range: 1.5 ... 35 mm, lettering field size: 23 x 4 mm, Number of individual labels: 24

# SAC-12P-MR/ 3,0-35T SH SCO - Sensor/actuator cable



1430093

<https://www.phoenixcontact.com/us/products/1430093>

## US-WMT (23X4) - Cable marker

0828769

<https://www.phoenixcontact.com/us/products/0828769>



Cable marker, Card, white, unlabeled, can be labeled with: BLUEMARK ID COLOR, BLUEMARK ID, THERMOMARK PRIME, THERMOMARK CARD 2.0, THERMOMARK CARD, mounting type: slide-on, cable diameter range: 1.5 ... 35 mm, lettering field size: 23 x 4 mm, Number of individual labels: 56

---

## WMTW (23X4)R - Cable marker

0831004

<https://www.phoenixcontact.com/us/products/0831004>



Cable marker, Roll, white, unlabeled, can be labeled with: THERMOMARK E.300 (D)/600 (D), THERMOMARK ROLL 2.0, THERMOMARK ROLL, THERMOMARK ROLL X1, THERMOMARK ROLLMASTER 300/600, THERMOMARK X1.2, mounting type: insert, cable diameter range: 1.5 ... 35 mm, lettering field size: 23 x 4 mm, Number of individual labels: 3000

# SAC-12P-MR/ 3,0-35T SH SCO - Sensor/actuator cable



1430093

<https://www.phoenixcontact.com/us/products/1430093>

## B-STIFT - Marker pen

1051993

<https://www.phoenixcontact.com/us/products/1051993>



Marker pen, for manual labeling of unprinted Zack strips, smear-proof and waterproof, line thickness 0.5 mm

---

## CUTFOX-S VDE - Diagonal cutter

1212207

<https://www.phoenixcontact.com/us/products/1212207>



Diagonal cutter for hard (piano wire) and soft wires, VDE 1000 V AC/1500 V DC tested

# SAC-12P-MR/ 3,0-35T SH SCO - Sensor/actuator cable

1430093

<https://www.phoenixcontact.com/us/products/1430093>

## WIREFOX SAC-1 - Stripping tool

1212757

<https://www.phoenixcontact.com/us/products/1212757>



Stripping pliers, for halogen-free sensor/actuator cables (SAC cables), with PUR and PVC insulation, from Ø of 3.2 to 4.4 mm, any stripping length

---

## WIREFOX SAC - Stripping tool

1212623

<https://www.phoenixcontact.com/us/products/1212623>



Stripping pliers, for halogen-free sensor/actuator cables (SAC cables), with PUR and PVC insulation, from Ø of 4.4 to 7 mm, any stripping length

# SAC-12P-MR/ 3,0-35T SH SCO - Sensor/actuator cable



1430093

<https://www.phoenixcontact.com/us/products/1430093>

## WIREFOX 10 - Stripping tool

1212150

<https://www.phoenixcontact.com/us/products/1212150>



Stripping tool, for cables and conductors from 0.02 - 10 mm<sup>2</sup>, self-adjusting, stripping length of up to 18 mm, cutting capacity of up to 10 mm<sup>2</sup> stranded/1.5 mm<sup>2</sup> solid, replaceable stripping blade

---

## WP-CTA POM 13,0 BK - Protective hose adapter

1422884

<https://www.phoenixcontact.com/us/products/1422884>



Protective hose adapter, for corrugated hoses with a nominal size of 13 (10 x 13), corrugated in parallel

# SAC-12P-MR/ 3,0-35T SH SCO - Sensor/actuator cable

1430093

<https://www.phoenixcontact.com/us/products/1430093>

## WP-PA HF 13,0 BK - Protective hose

3240681

<https://www.phoenixcontact.com/us/products/3240681>



Protective hose, material: PA 6, UV-resistant: yes, flexible, degree of protection: IP68, color: black, flammability rating in acc. with UL 94: V0, inner diameter: 10 mm, Total length: 50 m

---

## WP-PA HF-HB 13,0 BK - Protective hose

3240839

<https://www.phoenixcontact.com/us/products/3240839>



Protective hose, material: PA 6, UV-resistant: yes, flexible, degree of protection: IP68, color: black, flammability rating in acc. with UL 94: HB, inner diameter: 10 mm, Total length: 50 m



# SAC-12P-MR/ 3,0-35T SH SCO - Sensor/actuator cable



1430093

<https://www.phoenixcontact.com/us/products/1430093>

## TSD 04 SAC - Torque screwdriver

1208429

<https://www.phoenixcontact.com/us/products/1208429>



Torque screwdriver, with preset torque of 0.4 Nm and 4 mm hexagonal drive for M12 connectors

---

## TSD-M 1,2NM - Torque screwdriver

1212224

<https://www.phoenixcontact.com/us/products/1212224>



Torque screw driver, accuracy as per EN ISO 6789 standard, adjustable from 0.3 - 1.2 Nm

# SAC-12P-MR/ 3,0-35T SH SCO - Sensor/actuator cable



1430093

<https://www.phoenixcontact.com/us/products/1430093>

## TSD-M SAC-BIT ADAPTER - Adapter insert

1212600

<https://www.phoenixcontact.com/us/products/1212600>



Adapter bit for TSD-M...torque tools, E6.3-1/4" drive with 4 mm hexagon to accommodate SAC bits

---

## SAC BIT M12-D15 - Tool

1208432

<https://www.phoenixcontact.com/us/products/1208432>



Nut for assembling sensor/actuator cables with M12 connector and M12 connectors for assembly, with a knurl diameter of 15 mm, for 4 mm hexagonal drive

---

Phoenix Contact 2023 © - all rights reserved  
<https://www.phoenixcontact.com>

Phoenix Contact USA  
586 Fulling Mill Road  
Middletown, PA 17057, United States  
(+717) 944-1300  
[info@phoenixcon.com](mailto:info@phoenixcon.com)