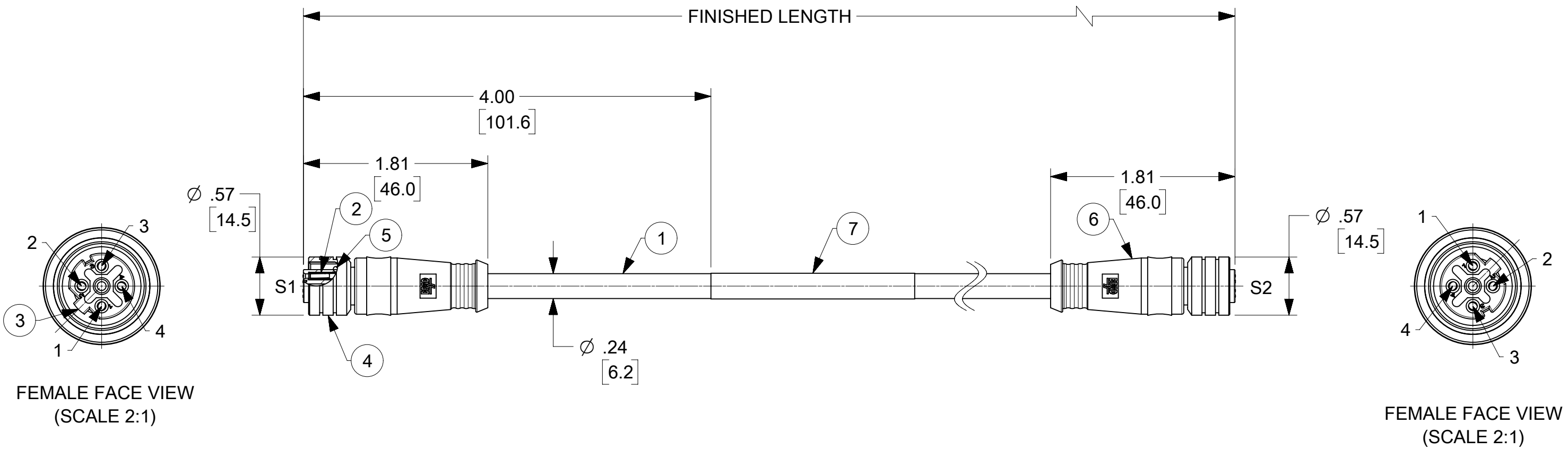


MOLEX PN	ENGR PN	FINISHED LENGTH
1201080744	E11A01004M010	3.28' +2.2"/-0 [1.00M +56mm/-0]



NOTE:

- 1) MATERIAL: SEE TABLE
- 2) FINISHES: SEE TABLE
- 3) WRAP LABEL IS MARKED WITH PART No., DATE CODE, VOLTAGE AND AMPERAGE
- 4) ELECTRICAL DATA
MAX. VOLTAGE: 125V
MAX. CURRENT: 1.5A
- 5) ENVIRONMENTAL
OPERATING TEMPERATURE RATING: -20°C TO +75°C
PROTECTION: IP67 WHEN FULLY MATED
- 6) PACKAGING:
ASSEMBLIES ARE BAGGED SEPARATELY IN POLY BAGS WITH BAR CODE LABEL ATTACHED TO OUTSIDE OF BAG
- 7) DIMENSIONS ARE REFERENCE ONLY TOLERANCED OR NOTED OTHERWISE.

E11A01004M010

LENGTH
M001 = .1 METERS
M010 = 1.0 METERS
M100 = 10 METERS

PART NUMBER MATRIX

S1	WIRING DIAGRAM	S2
1	WHITE/ORANGE	1
2	WHITE/GREEN	2
3	ORANGE	3
4	GREEN	4

7	WRAP LABEL	VINYL	BLACK/YELLOW
6	OVERMOLD	PUR	BLACK
5	GASKET ORING	FPM	RED
4	COUPLER	BRASS	TEFLON COATED
3	INSERT FEMALE 4P D-CODE	PUR	BLACK
2	SOCKET CONTACT	COPPER ALLOY	GOLD OVER NICKEL
1	CABLE;2X2 X 24AWG	TPE	TEAL
ITEM	DESCRIPTION	MATERIAL	FINISH

THIS DRAWING CONTAINS INFORMATION THAT IS PROPRIETARY TO MOLEX ELECTRONIC TECHNOLOGIES, LLC AND SHOULD NOT BE USED WITHOUT WRITTEN PERMISSION

DIMENSION UNITS	SCALE	CURRENT REV DESC: RELEASE		molex		
HYBRID	1:1					
GENERAL TOLERANCES (UNLESS SPECIFIED)		EC NO: 615476		MIC 4P D-CODE FEM/FEM ST/ST TPE		
ANGULAR TOL	± °	DRWN: MZIELINSKI	2019/04/11	PRODUCT CUSTOMER DRAWING		
4 PLACES	±	CHK'D: RSTONE	2019/04/12	DOCUMENT NUMBER		
3 PLACES	±	APPR: BWOODMAN	2019/04/23	1201080744		
2 PLACES	±	INITIAL REVISION:		DOC TYPE	DOC PART	REVISION
1 PLACE	±	DRWN: MZIELINSKI	2019/04/11	PSD	000	A
0 PLACES	±	APPR: BWOODMAN	2019/04/23	SHEET NUMBER		
DRAFT WHERE APPLICABLE MUST REMAIN WITHIN DIMENSIONS		THIRD ANGLE PROJECTION	DRAWING	SERIES	MATERIAL NUMBER	CUSTOMER
			B-SIZE	120108	SEE TABLE	1 OF 1