

Ratings

Voltage: 150 V
 Temperature: -40~70 °C

Conductor

Conductor count: 10
 Gauge: 24 AWG 0.21 mm²
 Material: Tinned copper strands
 Strand size: $\varnothing 0.08 \times 41$
 Resistance at 20 °C: 95 Ω /km Max

Insulator

Material: HDPE
 Color: red, black, white, yellow, blue, green, orange, purple, gray, brown
 Diameter: $\varnothing 1.05 \pm 0.10$ mm
 Nominal thickness: 0.22 mm
 Resistance at 20 °C: 100 M Ω /km Min

Wrap

Material: cotton paper

Filler

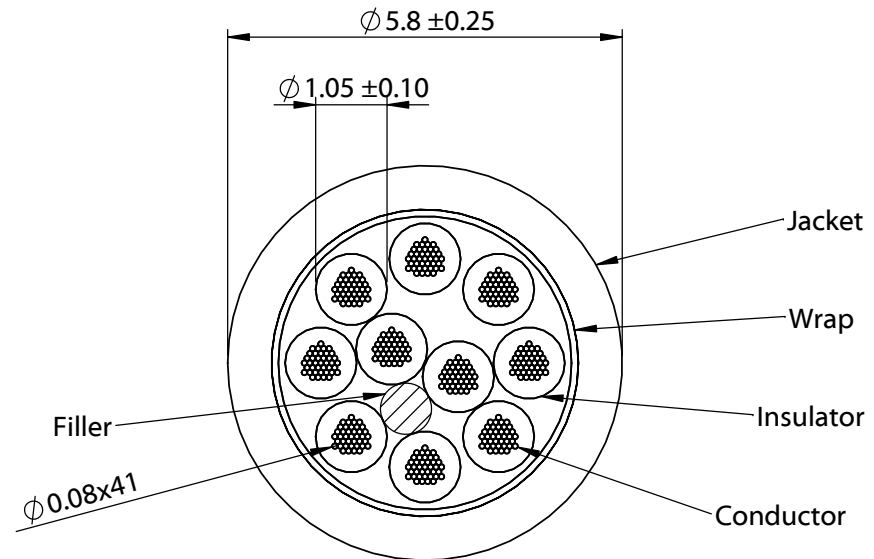
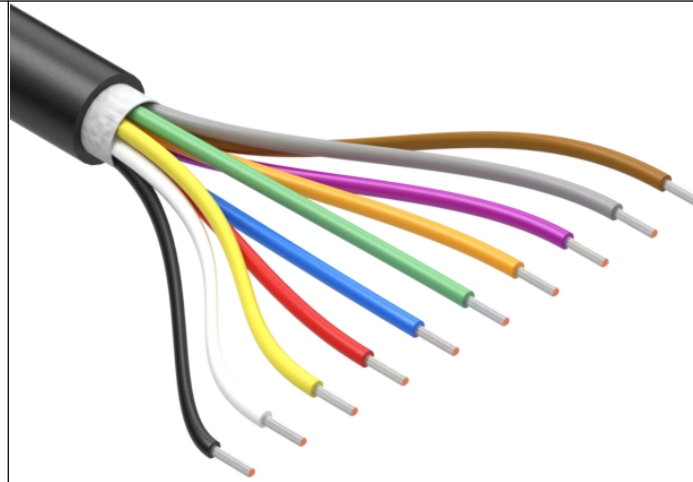
Material: aramid fiber

Outer jacket

Material: TPU
 Color: black
 Diameter: $\varnothing 5.8 \pm 0.25$ mm
 Nominal thickness: 0.70 mm

Tests

Tensile strength: 26 kgf min
 Dielectric test: 1500 V dc for 1 minute without breakdown
 Bend test at 200 g, $\pm 60^\circ$, 30 cycles /min: 15,000 cycle minimum



Revision:	Date:	Description:	Prepared:	Notes: RoHS compliant Jacket meets ISO 10993 Biological Compatibility Phthalate and halogen free Function test: no open, no short, no intermittent	<h1>TENSILITY</h1> <p>tel 1.541.323.3228 800 877.670.7118 fax 1.541.323.4202 web tensility.com</p>		
A	7/9/2022	Initial release	Verified:				
			Dimensions are in millimeters. Tolerances: X: ± 0.5 mm X.X: ± 0.3 mm X.XX: ± 0.05 mm	Description:	Size: A	Part number: 30-02697	
				Wire, 10C TS, 24 AWG, 150V, 70C, 5.8 mm, TPU, 75A, WBL	Scale: 9:1		

5

↑

4

3

2

1