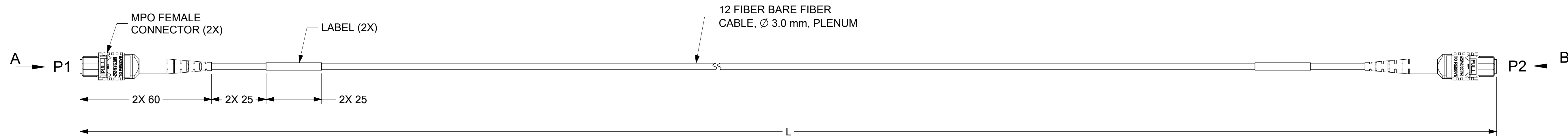
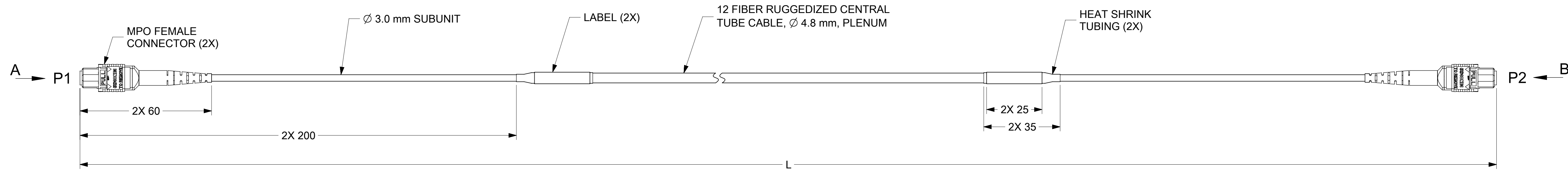


TRUNK CABLE P/N	OVERALL LENGTH, L (m)	CABLE TYPE	FIBER TYPE	CONNECTOR/CABLE COLOR	INSERTION LOSS	RETURN LOSS
1062250100	1.0 +0.2 / -0	SINGLE JACKET	MM 50/125 μm OM3 BIF	AQUA / AQUA	0.35 dB @ 850 nm	---
1062250101	3.0 +0.2 / -0					
1062250102	5.0 +0.2 / -0					
1062250103	10.0 +0.2 / -0					
1062250104	15.0 +0.3 / -0					
1062250105	25.0 +0.5 / -0					
1062250106	50.0 +1.0 / -0	RUGGEDIZED CENTRAL TUBE	MM 50/125 μm OM3 BIF	AQUA / AQUA	0.35 dB @ 850 nm	---
1062250107	100.0 +2.0 / -0					
1062250110	1.0 +0.2 / -0	SINGLE JACKET	MM 50/125 μm OM4 BIF	AQUA / AQUA	0.35 dB @ 850 nm	---
1062250111	3.0 +0.2 / -0					
1062250112	5.0 +0.2 / -0					
1062250113	10.0 +0.2 / -0					
1062250114	15.0 +0.3 / -0					
1062250115	25.0 +0.5 / -0					
1062250116	50.0 +1.0 / -0	RUGGEDIZED CENTRAL TUBE	MM 50/125 μm OM4 BIF	AQUA / AQUA	0.35 dB @ 850 nm	---
1062250117	100.0 +2.0 / -0					
1062250120	1.0 +0.2 / -0	SINGLE JACKET	SM 9/125 μm OS2 ITU-T G.657.A1 BIF	YELLOW / YELLOW	0.35 dB @ 1550 nm	- 50 dB @ 1550 nm
1062250121	3.0 +0.2 / -0					
1062250122	5.0 +0.2 / -0					
1062250123	10.0 +0.2 / -0					
1062250124	15.0 +0.3 / -0					
1062250125	25.0 +0.5 / -0					
1062250126	50.0 +1.0 / -0	RUGGEDIZED CENTRAL TUBE	SM 9/125 μm OS2 ITU-T G.657.A1 BIF	YELLOW / YELLOW	0.35 dB @ 1550 nm	- 50 dB @ 1550 nm
1062250127	100.0 +2.0 / -0					

CONNECTIONS	
FROM	TO
P1-1 THRU P1-12	P2-12 THRU P2-1

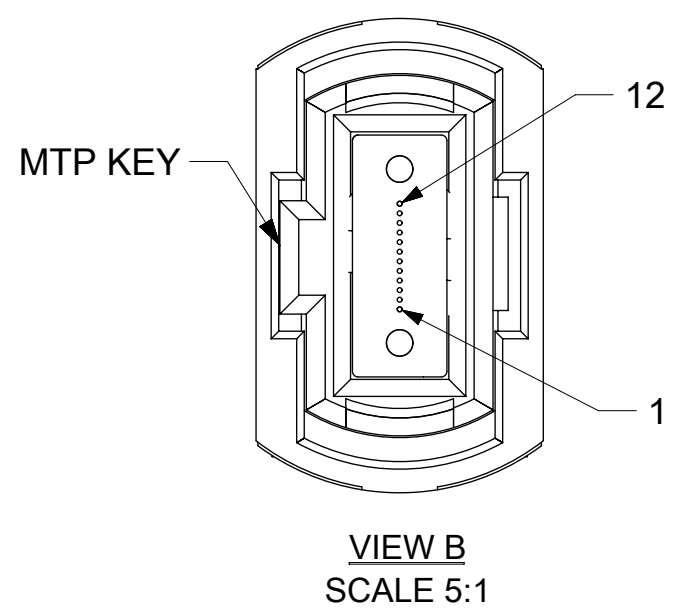
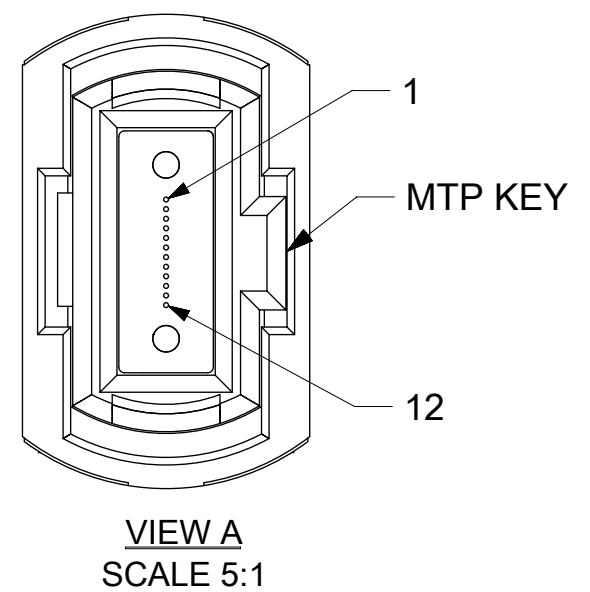


**SINGLE JACKET**



**RUGGEDIZED CENTRAL TUBE**

- NOTES:
1. ENDCAPS ARE NOT SHOWN BUT INCLUDED.
  2. LABEL IS PRINTED WITH MOLEX P/N AND SERIAL NUMBER.
  3. FOR DETAILED PRODUCT SPECIFICATION SEE DOCUMENT 1062250000 ES.
  4. CABLE CONSTRUCTION:
    - L < 25 meters - SINGLE JACKET CABLE
    - L ≥ 25 meters - RUGGEDIZED CENTRAL TUBE CABLE
  5. INSERTION LOSS TEST DATA IS PROVIDED WITH EACH SHIPMENT.
  6. PACKAGING:
    - L < 50 meters - INDIVIDUALLY COILED AND BAGGED
    - L ≥ 50 meters - SHIPPED ON SPOOLS



SYMBOLS	THIS DRAWING CONTAINS INFORMATION THAT IS PROPRIETARY TO MOLEX ELECTRONIC TECHNOLOGIES, LLC AND SHOULD NOT BE USED WITHOUT WRITTEN PERMISSION		CURRENT REV DESC:			
	mm	SCALE 1:1	EC NO: 176410			
	GENERAL TOLERANCES (UNLESS SPECIFIED)		DRWN: MAGHAYERE01	2018/04/30		MPO(F) - MPO(F) TRUNK CABLE, 12 FIBER, PLENUM
	ANGULAR TOL ± °		CHK'D: IGUMIN	2018/05/16		
4 PLACES ±	EC NO: 176410		PRODUCT CUSTOMER DRAWING			
3 PLACES ±	DRWN: MAGHAYERE01	2018/04/30				
2 PLACES ±	APP'R: IGUMIN		2018/05/16	DOCUMENT NUMBER: 1062250100		
1 PLACE ±	INITIAL REVISION:		DOC TYPE: PSD			
0 PLACES ±	DRWN: MAGHAYERE01		2018/04/30	DOC PART: 000		
DRAFT WHERE APPLICABLE MUST REMAIN WITHIN DIMENSIONS		APP'R: IGUMIN		2018/05/16	REVISION: A	
THIRD ANGLE PROJECTION		DRAWING: D-SIZE	SERIES: 106225	MATERIAL NUMBER: SEE TABLE	CUSTOMER: SEE TABLE	
				SHEET NUMBER: 1 OF 1		