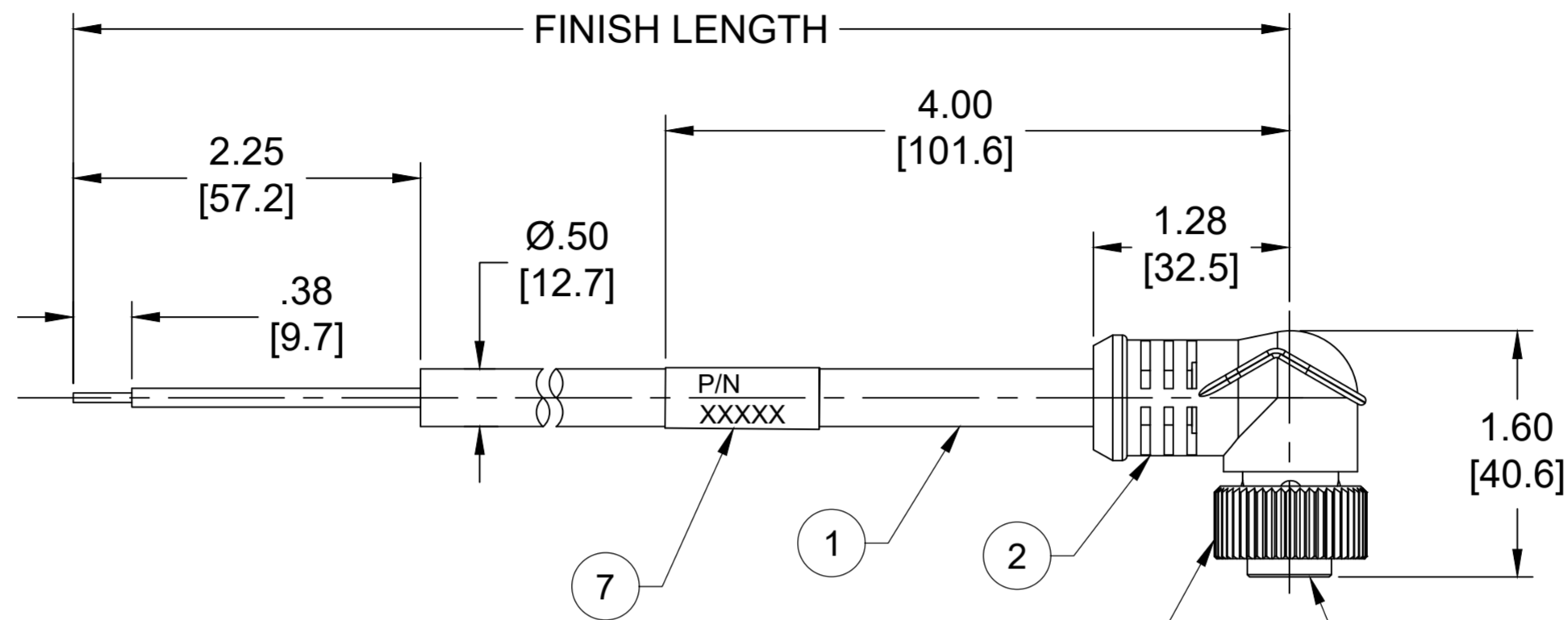
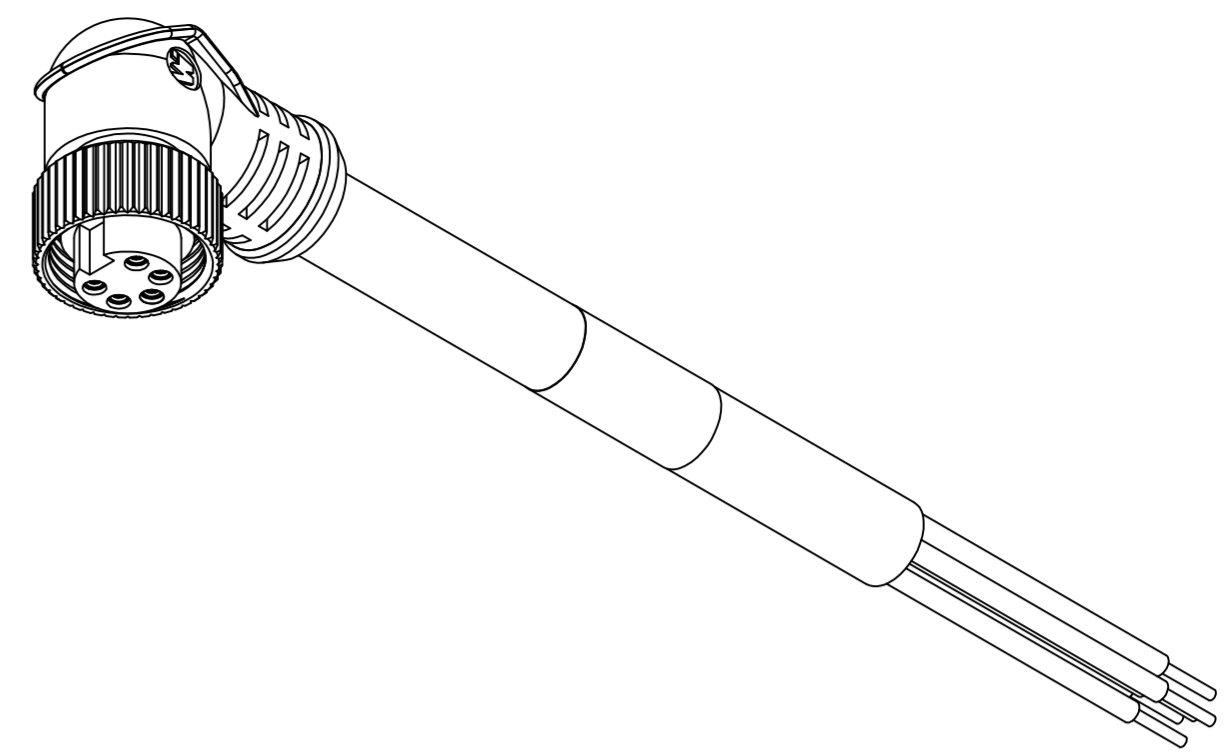


PART NO.	ENGINEERING NO.	FINISHED LENGTH
1300061346	105001A01F030	3FT [0.9M]
1300061356	105001A01F150	15FT [4.6M]
1300061367	105001A01F300	30FT [9.1M]

PART NUMBER LEGEND
105001A01F030

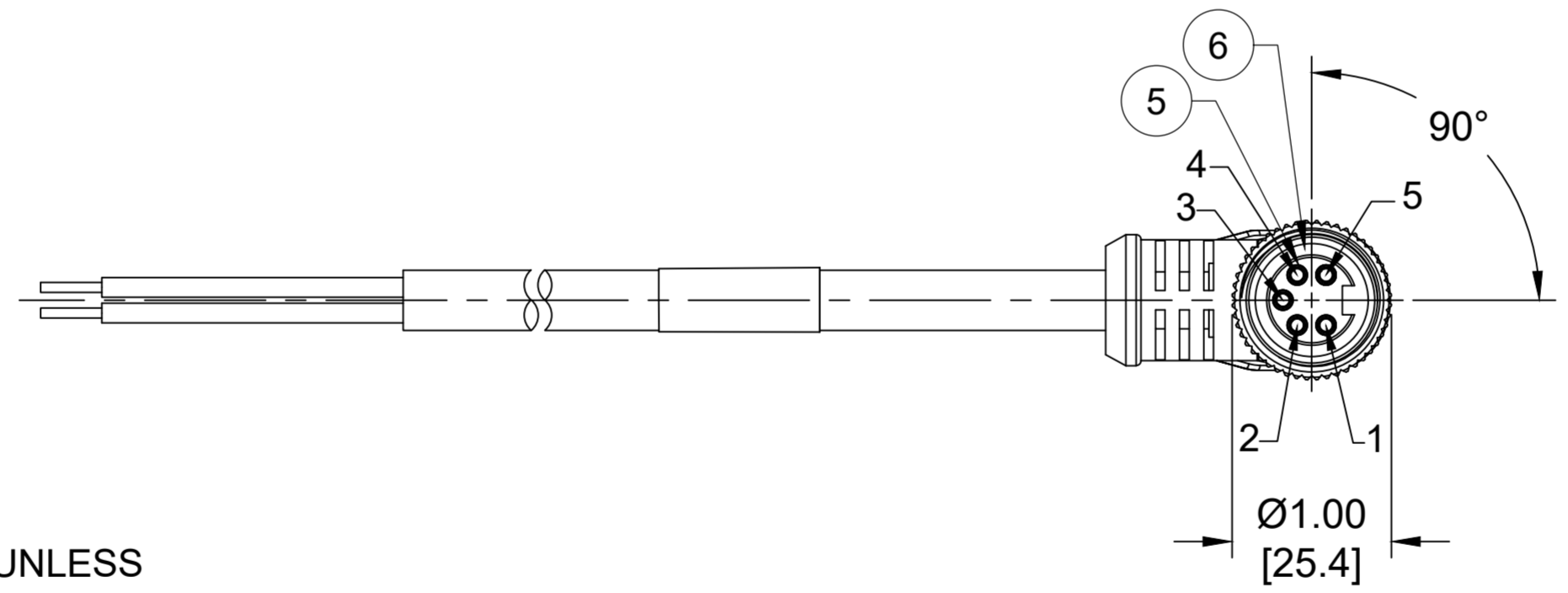
CABLE LENGTH
F050 = 5 FEET
F100 = 10 FEET
F150 = 15 FEET



- NOTES:**
- MATERIAL: AS NOTED
 - FINISH: AS NOTED
 - ELECTRICAL:
VOLTAGE : 400V PER IEC 60664
600V PER UL 2238
CURRENT: 8A
 - TEMP RATING: -20° TO +105°C
 - PROTECTION: IP67 (WHEN MATED)
 - COUPLING THREAD: 7/8"-16UN
 - UL RECOGNIZED FILE: E152210
CSA CERTIFIED FILE: LR6837
 - ALL DIMENSIONS ARE FOR REFERENCE UNLESS TOLERANCED OR NOTED OTHERWISE

	S1
WHITE	1
RED	2
GREEN/YELLOW-GND	3
ORANGE	4
BLACK	5

WIRING DIAGRAM



FEMALE FACE VIEW

CABLE LENGTH TOLERANCES

<.3M [1FT]:	+19mm-0 [+.75in-0]
.3 - .9M [1 - 3FT]:	+44.5mm-0 [+1.75in-0]
.9 - 1.8M [3 - 6FT]:	+55.6mm-0 [+2.19in-0]
1.8 - 3.7M [6 - 12FT]:	+88.9mm-0 [+3.50in-0]
3.7 - 7.3M [12 - 24FT]:	+165.1mm-0 [+6.50in-0]
7.3-14.6M [24 - 48FT]:	+317.5mm-0 [+12.50in-0]
14.6 - 30.5M [48-100FT]:	+622.3mm-0 [+24.50in-0]
OVER 30M [100FT]	+2% OF FINISHED LENGTH

ITEM	COMPONENT	MATERIAL	FINISH
7	WRAP LABEL	VINYL	BLACK/YELLOW
6	FRICTION RING	NYLON	WHITE
5	CONTACT SOCKET	COPPER ALLOY	GOLD OVER NICKEL
4	INSERT	TPE	YELLOW
3	COUPLING NUT	ZINC DIE CAST	BLACK-E-COAT
2	OVERMOLD	TPE	YELLOW
1	CABLE, 16AWG STOOV/ST	PVC	YELLOW

THIS DRAWING CONTAINS INFORMATION THAT IS PROPRIETARY TO MOLEX ELECTRONIC TECHNOLOGIES, LLC AND SHOULD NOT BE USED WITHOUT WRITTEN PERMISSION

FUNCTIONAL SYMBOLS	DIMENSION UNITS	SCALE	CURRENT REV DESC: ITEM# 2 & 4 WERE PVC. ITEM #7 WAS PLASTIC FILM. ADDED FRICTION RING, IEC VOLTAGE, PN LEGEND & TOL CHART. MODIFIED PN CHART
$F_A=0$	INCH/MM	NTS	
$F_C=0$	GENERAL TOLERANCES (UNLESS SPECIFIED)		
$F_P=0$	mm	INCH	
DIVISIONAL SYMBOLS	4 PLACES	±----	EC NO: 698916
	3 PLACES	±----	DRWN: ABENJAMINLW 2021/05/19
	2 PLACES	±----	CHK'D: RSTONE 2022/03/09
	1 PLACE	±----	APPR: BWOODMAN 2022/03/11
	0 PLACES	±----	INITIAL REVISION:
	ANGULAR TOL ± ---- °		DRWN: TWOLDEGE 2009/07/29
	DRAFT WHERE APPLICABLE MUST REMAIN WITHIN DIMENSIONS		APPR: JFMURPHY 2009/08/10
	THIRD ANGLE PROJECTION	DRAWING	SERIES
		C-SIZE	130006
		MATERIAL NUMBER	CUSTOMER
		SEE CHART	GENERAL MARKET
		DOCUMENT NUMBER	DOC TYPE/DOC PART/REVISION
		SD-130006-017	PSD 001 C
			SHEET NUMBER
			1 OF 1