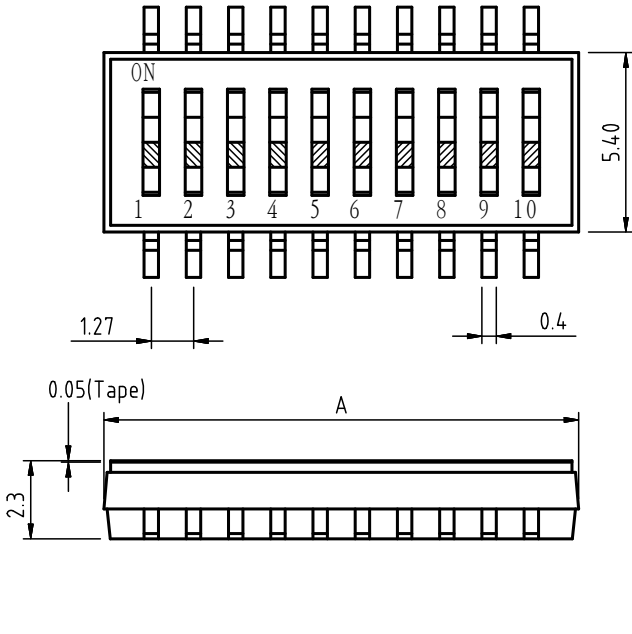
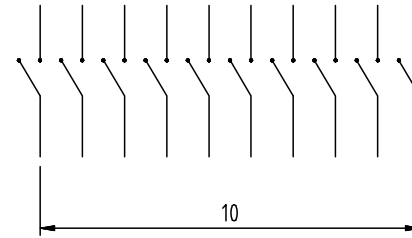


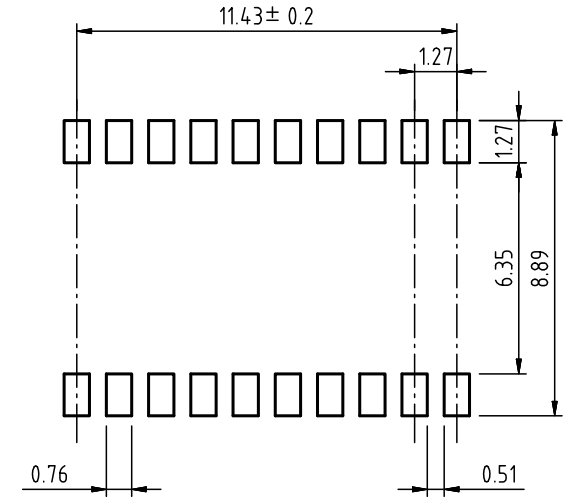
# ◆ DIMENSIONS



# ◆ SCHEMATIC



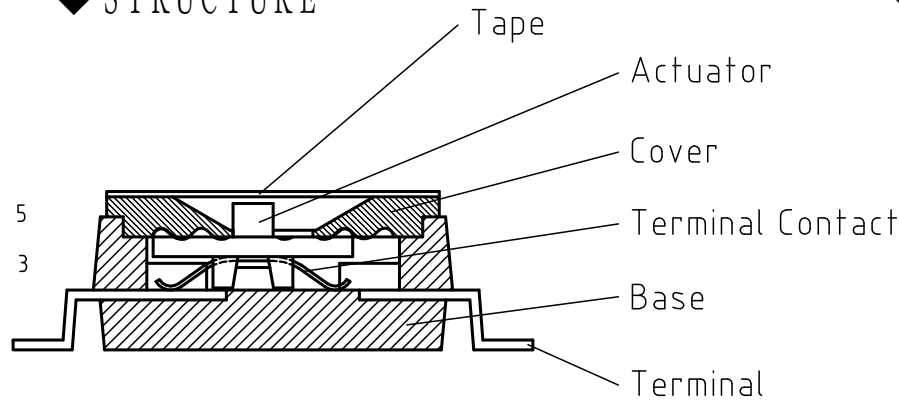
# ◆ P.C.B LAYOUT



Poles(N)    A Dimension(mm)

01	2.87
02	4.12
03	5.41
04	6.66
05	7.93
06	9.20
08	11.74
10	14.28
TOLERANCE: ±0.1mm	

# ◆ STRUCTURE



# ◆ MATERIAL

Part Name	Material	Finished
Base	PPS UL94 V0	Black
Cover	PPS UL94 V0	Black
Actuator	Nylon UL94 V0	White
Movable	Beryllium	3μ" Gold
Terminal Contact	Brass	3μ" Gold
Terminal	Brass	3μ" Gold
Tape	Polyimide	Amber



兆星精密电子(深圳)有限公司

Tolerance	Drawing		Date	01/02/06	Remark:
	Design		Ratio	4:1	
	Check		Unit	mm	
	Approved				

Product	1.27 间距 2P 上机拨码开关
P/N	
Drawing No.	ZX-1.27BM-2PSMD