

## 目 录 CONTENTS

目录 .....	1
Contents	
推荐的无铅焊接条件 .....	2
Recommended Pb-Free Solder Heating Profiles	
可靠性实验项目列表 .....	3
High Reliability Experiment List	
标准恢复整流二极管 .....	4~8
Standard Rectifiers	
快恢复整流二极管 .....	9~12
Fast Recovery Rectifiers	
超快速整流二极管 .....	13~17
Ultra Fast Rectifiers	
超快恢复整流二极管 .....	18~21
Super Fast Rectifiers	
高电压二极管 .....	22
High Voltage Rectifiers	
肖特基势垒整流二极管 .....	23~33
Schottky Barrier Rectifiers	
瞬变电压抑制二极管 .....	34~52
Transient Voltage Suppressors	
稳压二极管 .....	53~63
Zener Diodes	
放电管 .....	64
Thyristor Surge Protective Device	
整流桥 .....	65~76
Bridge Rectifiers	
小功率整流半桥 .....	77
Low Power Half Bridge Rectifier	
单向触发二极管 .....	77
Unidirectional Trigger Diode	
外形图 .....	78~82
Outline Drawings	



TABLE OF CONTENTS

硅整流二极管

Silicon Rectifiers

1A1 ~ 1A7	4
1N4001 ~ 1N4007	4
1N5391 ~ 1N5399	4
RL101 ~ RL107	4
RL151 ~ RL157	4
1N5400 ~ 1N5408	5
6A05 ~ 6A10	5
RL201 ~ RL207	5
RL251 ~ RL257	5
SM4001 ~ SM4007	5

表面贴装标准恢复整流二极管

Surface Mount Standard Rectifiers

DSR0.3A ~ DSR0.3M	6
DSR0.5A ~ DSR0.5M	6
DSR0.7A ~ DSR0.7M	6
DSR1A ~ DSR1M	6
MASR0.5A ~ MASR0.5M	7
MASR1A ~ MASR1M	7
MASR2A ~ MASR2M	7
S1A ~ S1M15	7
S2A/SMA ~ S2M/SMA	7
S2A ~ S2M	8
S3A ~ S3M	8
S3A/SMB ~ S3M/SMB	8

快恢复整流二极管

Fast Recovery Rectifiers

FR101 ~ FR107	9
FR151 ~ FR157	9
FR201 ~ FR207	9
FR251 ~ FR257	9
FR301 ~ FR307	9
1N4933 ~ 1N4937	10
1N4942 ~ 1N4948	10
BA157 ~ BA159	10
FR601 ~ FR607	10
SM4933 ~ SM4937	10

表面贴装快恢复整流二极管

Surface Mount Fast Recovery Rectifiers

DFR0.3A ~ DFR0.3M	11
DFR0.5A ~ DFR0.5M	11
DFR1A ~ DFR1M	11
MAFR0.5A ~ MAFR0.5M	11
MAFR1A ~ MAFR1M	11
MAFR2A ~ MAFR2M	12
RS1A ~ RS1M	12
RS2A ~ RS2M	12
RS2A/SMA ~ RS2M/SMA	12
RS3A ~ RS3M	12

超快速整流二极管

Ultra Fast Rectifiers

1H1 ~ 1H8	13
HER101 ~ HER108	13
HER151 ~ HER158	13
HER201 ~ HER208	13
HER251 ~ HER258	14
HER301 ~ HER308	14
HER601 ~ HER608	14
SUF4001 ~ SUF4007	15
UF1001 ~ UF1007	15
UF3001 ~ UF3007	15
UF4001 ~ UF4007	15
UF5400 ~ UF5408	15

表面贴装超快速整流二极管

Surface mount Ultra Fast Rectifiers

DHE0.3A ~ DHE0.3M	16
DHE0.5A ~ DHE0.5M	16
DHE1A ~ DHE1M	16
MAHE0.5A ~ MAHE0.5M	16
MAHE1A ~ MAHE1M	16
MAHE2A ~ MAHE2M	17
US1A ~ US1M	17
US2A ~ US2M	17
US2A/SMA ~ US2M/SMA	17
US3A ~ US3M	17

TABLE OF CONTENTS

**超快恢复整流二极管**

Super Fast Rectifiers

SF11 ~ SF18	18
SF21 ~ SF28	18
SF31 ~ SF38	18
SF61 ~ SF68	18
MUR405 ~ MUR460	19
MUR805 ~ MUR860	19
MUR1005CT ~ MUR1040CT	19
MUR1605CT ~ MUR1660CT	19
MUR2010CT ~ MUR2060CT	19
MUR3005WT ~ MUR3060WT	19

**表面贴装超快恢复整流二极管**

Surface Mount Super Fast Rectifiers

DSF0.3A ~ DSF0.3J	20
DSF0.5A ~ DSF0.5J	20
DSF1A ~ DSF1J	20
MASF0.5A ~ MASF0.5J	20
MASF1A ~ MASF1J	20
ES1A ~ ES1J	21
ES2A ~ ES2J	21
ES2A/SMA ~ ES2J/SMA	21
ES3A ~ ES3J	21
MASF2A ~ MASF2J	21

**高电压二极管**

High Voltage Rectifiers

EM513 ~ EM518	22
HVM5 ~ HVM16	22
PR1000 ~ PR1800	22
R1200 ~ R5000	22
R1200F ~ R5000F	22

**肖特基势垒整流二极管**

Schottky Barrier Rectifiers

1N5817 ~ 1N5819	23
1N5820 ~ 1N5822	23
1S20 ~ 1S100	23
SB120 ~ SB1100	23
SB220 ~ SB2100	23
SB320 ~ SB3100	24

SB520 ~ SB5100	24
SR120 ~ SR1100	24
SR220 ~ SR2100	24
SM5817 ~ SM5819	25
SMS120 ~ SMS1A0	25
SMS220 ~ SMS2A0	25
SR520 ~ SR5100	25
SR820 ~ SR860	26
SR1020 ~ SR10150	26
SR1620 ~ SR16150	26
SR2020 ~ SR20150	26
SR2520 ~ SR25150	27
SR3020 ~ SR30150	27

**表面贴装肖特基势垒整流二极管**

Surface Mount schottky Barrier Rectifiers

DSK12 ~ DSK115	28
DSK22 ~ DSK215	28
DSL12 ~ DSL14	28
DSL22 ~ DSL24	28
MASK12 ~ MASK110	28
MASL12 ~ MASL14	28
MASK22 ~ MASK210	29
MASK32 ~ MASK310	29
MASL22 ~ MASL24	29
MASL32 ~ MASL34	29
SL12 ~ SL16	29
SS12 ~ SS120	29
SK12 ~ SK120	30
SL22 ~ SL26	30
SL32 ~ SL36	30
SS22 ~ SS220	30
SS32 ~ SS320	30
SK22 ~ SK220	31
SK32/SMB ~ SK320/SMB	31
SK42/SMB ~ SK420/SMB	31
SK52/SMB ~ SK520/SMB	31
SK32 ~ SK320	32
SK42 ~ SK420	32
SK52 ~ SK520	32
SK82 ~ SK820	32
SR0545~SR05200	33
SB1045~SB10200	33
SL1545~SL15200	33
SL2045~SL20200	33



TABLE OF CONTENTS

瞬变电压抑制二极管

Transient Voltage Suppressors

P4KE6.8 ~ P4KE51	34
P4KE6.8A ~ P4KE51A	34
P4KE6.8C ~ P4KE51C	34
P4KE6.8CA ~ P4KE51CA	34
P4KE56 ~ P4KE440	35
P4KE56A ~ P4KE440A	35
P4KE56C ~ P4KE440C	35
P4KE56CA ~ P4KE440CA	35
P6KE6.8 ~ P6KE51	36
P6KE6.8A ~ P6KE51A	36
P6KE6.8C ~ P6KE51C	36
P6KE6.8CA ~ P6KE51CA	36
P6KE56 ~ P6KE440	37
P6KE56A ~ P6KE440A	37
P6KE56C ~ P6KE440C	37
P6KE56CA ~ P6KE440CA	37
1.5KE6.8 ~ 1.5KE51	38
1.5KE6.8A ~ 1.5KE51A	38
1.5KE6.8C ~ 1.5KE51C	38
1.5KE6.8CA ~ 1.5KE51CA	38
1.5KE56 ~ 1.5KE440	39
1.5KE56A ~ 1.5KE440A	39
1.5KE56C ~ 1.5KE440C	39
1.5KE56CA ~ 1.5KE440CA	39
5KP5.0 ~ 5KP28	40
5KP5.0A ~ 5KP28A	40
5KP5.0C ~ 5KP28C	40
5KP5.0CA ~ 5KP28CA	40
5KP30 ~ 5KP110	41
5KP30A ~ 5KP110A	41
5KP30C ~ 5KP110C	41
5KP30CA ~ 5KP110CA	41

表面贴装瞬变电压抑制二极管

Surface Mount Transient Voltage

SMF5.0A ~ SMF170A	42
SMAJ5.0 ~ SMAJ33	43
SMAJ5.0A ~ SMAJ33A	43
SMAJ5.0C ~ SMAJ33C	43
SMAJ5.0CA ~ SMAJ33CA	43

SMAJ36 ~ SMAJ188	44
SMAJ36A ~ SMAJ188A	44
SMAJ36C ~ SMAJ188C	44
SMAJ36CA ~ SMAJ188CA	44
SMBJ5.0 ~ SMBJ33	45
SMBJ5.0A ~ SMBJ33A	45
SMBJ5.0C ~ SMBJ33C	45
SMBJ5.0CA ~ SMBJ33CA	45
SMBJ36 ~ SMBJ188	46
SMBJ36A ~ SMBJ188A	46
SMBJ36C ~ SMBJ188C	46
SMBJ36CA ~ SMBJ188CA	46
SMCJ5.0 ~ SMCJ33	47
SMCJ5.0A ~ SMCJ33A	47
SMCJ5.0C ~ SMCJ33C	47
SMCJ5.0CA ~ SMCJ33CA	47
SMCJ36 ~ SMCJ188	48
SMCJ36A ~ SMCJ188A	48
SMCJ36C ~ SMCJ188C	48
SMCJ36CA ~ SMCJ188CA	48
SMDJ5.0 ~ SMDJ36	49
SMDJ5.0A ~ SMDJ36A	49
SMDJ5.0C ~ SMDJ36C	49
SMDJ5.0CA ~ SMDJ36CA	49
SMDJ40 ~ SMDJ190	50
SMDJ40A ~ SMDJ190A	50
SMDJ40C ~ SMDJ190C	50
SMDJ40CA ~ SMDJ190CA	50
5.0SMDJ11 ~ 5.0SMDJ58	51
5.0SMDJ11A ~ 5.0SMDJ58A	51
5.0SMDJ11C ~ 5.0SMDJ58C	51
5.0SMDJ11CA ~ 5.0SMDJ58CA	51
5.0SMDJ60 ~ 5.0SMDJ190	52
5.0SMDJ60A ~ 5.0SMDJ190A	52
5.0SMDJ60C ~ 5.0SMDJ190C	52
5.0SMDJ60CA ~ 5.0SMDJ190CA	52

稳压二极管

Zener Diodes

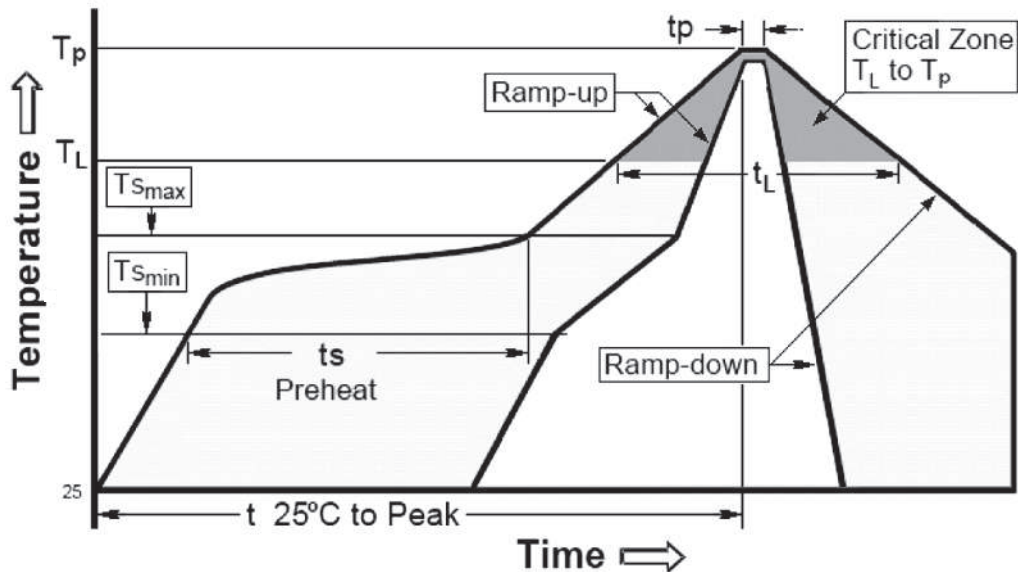
1N5226B ~ 1N5267B	53
BZX55-C3V6 ~ BZX55-C75	54
HZ3C3 ~ HZ363	55



TABLE OF CONTENTS

1N4728 ~ 1N4764	56	2W005 ~ 2W10	69
<b>表面贴装稳压二极管</b>		GBU4005 ~ GBU410	69
Surface Mount Zener Diodes		RB151 ~ RB157	69
MMSZ5225 ~ MMSZ5267	57	GBU6005 ~ GBU610	69
MMSZ4684-V ~ MMSZ4717-V	58	W005 ~ W10	69
DZL4728 ~ DZL4764	59	GBU8005 ~ GBU810	70
SML4728 ~ SML4764	60	GBU10005 ~ GBU1010	70
SMZJ3788A,B ~ SMZJ3809A,B	61	GBU15005 ~ GBU1510	70
SMAZ5919B ~ SMAZ5945B	62	GBU20005 ~ GBU2010	70
SMBZ5919B ~ SMBZ5945B	63	GBU25005 ~ GBU2510	70
<b>放电管</b>		GBL2005 ~ GBL210	71
Thyristor Surge Protective Device		GBL4005 ~ GBL410	71
P0080SA ~ P3500SA	64	GBJ2005 ~ GBJ210	71
P0080SB ~ P3500SB	64	GBJ4005 ~ GBJ410	71
P0080SC ~ P3500SC	64	GBJ6005 ~ GBJ610	71
<b>整流桥</b>		GBJ8005 ~ GBJ810	72
Bridge Rectifiers		GBJ10005 ~ GBJ1010	72
MB05S~MB10S	65	GBJ15005 ~ GBJ1510	72
MB105S~MB110S	65	GBJ20005 ~ GBJ2010	72
MB05F~MB10F	65	GBJ25005 ~ GBJ2510	72
ABS05~ABS10	65	GBJ35005 ~ GBJ3510	73
ABS105~ABS110	65	GBP2005 ~ GBP210	73
RMB2F~RMB6F	65	KBPC10005 ~ KBPC1010	74
UMB05F~UMB10F	66	KBPC15005 ~ KBPC1510	74
RMB12F~RMB16F	66	KBPC25005 ~ KBPC2510	74
MB05F~MB10F	66	KBPC35005 ~ KBPC3510	74
MB105F~MB110F	66	KBPC50005 ~ KBPC5010	74
KMB12F~KMB110F	66	GBPC15005 ~ GBPC1510	75
KMB22F~KMB210F	66	GBPC25005 ~ GBPC2510	75
DB101~DB107	67	GBPC35005 ~ GBPC3510	75
DB101S~DB107S	67	GBPC50005 ~ GBPC5010	75
DB151~DB157	67	SKBPC15005 ~ SKBPC1510	76
DB151S~DB157S	67	SKBPC25005 ~ SKBPC2516	76
DB201~DB207	67	SKBPC35005 ~ SKBPC3516	76
DB201S~DB207S	67	<b>小功率整流半桥</b>	
UG2KB05~UG2KB100	68	Low Power Half Bridge Rectifiers	
UG3KB05~UG3KB100	68	SS05A~SS05M	77
UG4KB05~UG4KB100	68	UT3210	77
UG6KB05~UG6KB100	68	<b>单向触发二极管</b>	
UG8KB05~UG8KB100	68	Unidirectional Trigger diode	
UG10KB05~UG10KB100	68	DU3	77

**Application Note For SMD**  
Recommended Pb-Free Solder Heating Profiles



Profile Pb-Free Assembly	Pb-Free Assembly
Average Ramp-Up Rate(T <sub>smax</sub> to T <sub>p</sub> )	3 °C / second max.
Preheat	
- Temperature Min (T <sub>smin</sub> )	150 °C
- Temperature Max (T <sub>smax</sub> )	200 °C
- Time (t <sub>smin</sub> to t <sub>smax</sub> )	60 -180 seconds
Time maintained above:	
-Temperature (T <sub>L</sub> )	217 °C
-Time (t <sub>L</sub> )	60 -150 seconds
Peak Temperature (T <sub>p</sub> )	260 +0/- 5 °C
Time within 5 °C of actual Peak Temperature (t <sub>p</sub> )	20 - 40 seconds
Ramp-Down Rate	6 °C / second max.
Time 25 °C to Peak Temperature	8 minutes max.

**REFERENCE DOCUMENTS**

J-STD-020C, “ Moisture/Reflow Sensitivity Classification for Nonhermetic Solid State Surface Mount Devices ”

ON SEMI, “ Soldering and Mounting Techniques Reference Manual ”

IR, “ Application Note AN-994 Maximizing the Effectiveness of Your SMD Assemblies ”

可靠性试验项目  
HIGH RELIABILITY EXPERIMENT LIST

2013 Edition

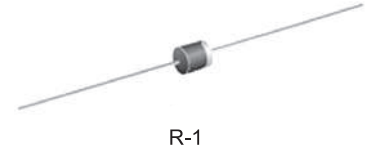
NO.	实验项目 Experiment item	实验条件 Experiment Conditions	时间或周期 Time or Cycle	参考标准 Reference
1	高温反向偏压试验 High Temperature Reverse Bias	① $T_A = 125 \pm 5 \text{ }^\circ\text{C}$ for O/J ② $T_A = 150 \pm 5 \text{ }^\circ\text{C}$ for GPP ③ $T_A = 100 \pm 5 \text{ }^\circ\text{C}$ for SKY Bias = $80\%V_R$ for all	48/96/168 H	MIL-STD-750F METHOD-1038
2	稳态工作寿命试验 Steady-state Operation Life	Rated average rectifier current $I_o = I_{F(AV)}$ @ $T_A = 25 \text{ }^\circ\text{C}$	168/1000 H	MIL-STD-750F METHOD-1027
3	高温贮存试验 HT Storage	$T_A = 150 \pm 5 \text{ }^\circ\text{C}$	168/1000 H	MIL-STD-750F METHOD-1031
4	间歇性工作寿命试验 Intermittent Operation Life	ON = 5Min with rated $I_o$ OFF = 5Min with cool forced air	1000 CYCLE	MIL-STD-750F METHOD-1036
5	温度循环试验 Temperature Cycling (air to air)	$T_H = 150 + 3 / - 0 \text{ }^\circ\text{C}$ 10Min $T_L = -55 + 0 / - 3 \text{ }^\circ\text{C}$ 10Min Transfer time = 5Min	10 CYCLE	MIL-STD-750F METHOD-1051
6	热冲击试验 Thermal Shock	$0 \text{ }^\circ\text{C} / 5\text{min}$ $100 \text{ }^\circ\text{C} / 5\text{min}$	10 CYCLE	MIL-STD-750F METHOD-1056
7	耐焊接热试验 Soldering Heat	$260 \pm 5 \text{ }^\circ\text{C}$	10 SEC	MIL-STD-750F METHOD-2031
8	引脚拉力 Lead pull	1Kg in axial lead direction	10 SEC	MIL-STD-750F METHOD-2036
9	引脚疲劳度 Lead Fatigue	0.5Kg weight applied to each lead bending are $90 \pm 5^\circ$	3 TIMES	MIL-STD-750F METHOD-2036
10	正向浪涌电流试验 Forward Surge Current	8.3mS or 10mS single half sine -wave superimposed on rated load	1 PULSE	MIL-STD-750F METHOD-4066
11	高压锅试验 Unbiased Autoclave Test	$T_A = 121 \pm 2 \text{ }^\circ\text{C}$ P = 29.7Psia / 205KPa RH = 100%	4 / 8 / 16 / 24 H	JESD22-A102D
12	可焊性试验 Solderability	$245 \pm 5 \text{ }^\circ\text{C}$	10 SEC	MIL-STD-750F METHOD-2026

## Silicon Rectifiers

TYPE	$I_{F(AV)}$	$V_{RRM}$	$I_{FSM}$	$V_{FM}@I_{F(AV)}$	$I_{RM} @ V_{RRM}$	Case Style
	A	V	A	V	$T_A=25^{\circ}C$ $\mu A$	

### 1.0 Ampere / R-1

1A1	1.0	50	30	1.1	5.0	R-1
1A2	1.0	100	30	1.1	5.0	
1A3	1.0	200	30	1.1	5.0	
1A4	1.0	400	30	1.1	5.0	
1A5	1.0	600	30	1.1	5.0	
1A6	1.0	800	30	1.1	5.0	
1A7	1.0	1000	30	1.1	5.0	



### 1.0 Ampere / DO-41

1N4001	1.0	50	30	1.1	5.0	DO-41
1N4002	1.0	100	30	1.1	5.0	
1N4003	1.0	200	30	1.1	5.0	
1N4004	1.0	400	30	1.1	5.0	
1N4005	1.0	600	30	1.1	5.0	
1N4006	1.0	800	30	1.1	5.0	
1N4007	1.0	1000	30	1.1	5.0	



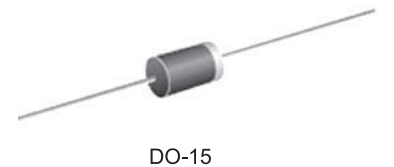
### 1.0 Ampere / A-405

RL101	1.0	50	30	1.1	5.0	A-405
RL102	1.0	100	30	1.1	5.0	
RL103	1.0	200	30	1.1	5.0	
RL104	1.0	400	30	1.1	5.0	
RL105	1.0	600	30	1.1	5.0	
RL106	1.0	800	30	1.1	5.0	
RL107	1.0	1000	30	1.1	5.0	



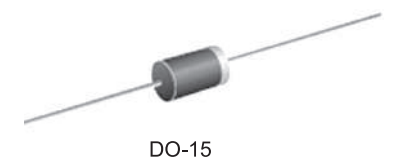
### 1.5 Ampere / DO-15

1N5391	1.5	50	50	1.1	5.0	DO-15
1N5392	1.5	100	50	1.1	5.0	
1N5393	1.5	200	50	1.1	5.0	
1N5394	1.5	300	50	1.1	5.0	
1N5395	1.5	400	50	1.1	5.0	
1N5396	1.5	500	50	1.1	5.0	
1N5397	1.5	600	50	1.1	5.0	
1N5398	1.5	800	50	1.1	5.0	
1N5399	1.5	1000	50	1.1	5.0	



### 1.5 Ampere / DO-15

RL151	1.5	50	60	1.1	5.0	DO-15
RL152	1.5	100	60	1.1	5.0	
RL153	1.5	200	60	1.1	5.0	
RL154	1.5	400	60	1.1	5.0	
RL155	1.5	600	60	1.1	5.0	
RL156	1.5	800	60	1.1	5.0	
RL157	1.5	1000	60	1.1	5.0	



### Silicon Rectifiers

TYPE	$I_{F(AV)}$	$V_{RRM}$	$I_{FSM}$	$V_{FM}@I_{F(AV)}$	$I_{RM} @ V_{RRM}$	Case Style
	A	V	A	V	$T_A=25^{\circ}C$ $\mu A$	

2.0 Ampere / DO-15

RL201	2.0	50	60	1.1	5.0	DO-15
RL202	2.0	100	60	1.1	5.0	
RL203	2.0	200	60	1.1	5.0	
RL204	2.0	400	60	1.1	5.0	
RL205	2.0	600	60	1.1	5.0	
RL206	2.0	800	60	1.1	5.0	
RL207	2.0	1000	60	1.1	5.0	



DO-15

2.5 Ampere / R-3

RL251	2.5	50	150	1.0	5.0	R-3
RL252	2.5	100	150	1.0	5.0	
RL253	2.5	200	150	1.0	5.0	
RL254	2.5	400	150	1.0	5.0	
RL255	2.5	600	150	1.0	5.0	
RL256	2.5	800	150	1.0	5.0	
RL257	2.5	1000	150	1.0	5.0	



R-3

3.0 Ampere / DO-27

1N5400	3.0	50	200	1.2	10	DO-27
1N5401	3.0	100	200	1.2	10	
1N5402	3.0	200	200	1.2	10	
1N5403	3.0	300	200	1.2	10	
1N5404	3.0	400	200	1.2	10	
1N5405	3.0	500	200	1.2	10	
1N5406	3.0	600	200	1.2	10	
1N5407	3.0	800	200	1.2	10	
1N5408	3.0	1000	200	1.2	10	



DO-27

6.0 Ampere / R-6

6A05	6.0	50	400	0.95	10	R-6
6A1	6.0	100	400	0.95	10	
6A2	6.0	200	400	0.95	10	
6A4	6.0	400	400	0.95	10	
6A6	6.0	600	400	0.95	10	
6A8	6.0	800	400	0.95	10	
6A10	6.0	1000	400	0.95	10	



R-6

1.0 Ampere / MELF(DO-213AB)

SM4001	1.0	50	30	1.1	5.0	DO-213AB
SM4002	1.0	100	30	1.1	5.0	
SM4003	1.0	200	30	1.1	5.0	
SM4004	1.0	400	30	1.1	5.0	
SM4005	1.0	600	30	1.1	5.0	
SM4006	1.0	800	30	1.1	5.0	
SM4007	1.0	1000	30	1.1	5.0	



DO-213AB

## Surface Mount Standard Rectifiers

TYPE	Marking Code	$I_{F(AV)}$	$V_{RRM}$	$I_{FSM}$	$V_{FM}@I_{F(AV)}$	$I_{RM} @ V_{RRM}$	Case Style
		A	V	A	V	$T_A=25^{\circ}C$ $\mu A$	

### 0.3 Ampere / SOD-123FL

DSR0.3A	S03A	0.3	50	15	1.1	5.0	SOD-123FL
DSR0.3B	S03B	0.3	100	15	1.1	5.0	
DSR0.3D	S03D	0.3	200	15	1.1	5.0	
DSR0.3G	S03G	0.3	400	15	1.1	5.0	
DSR0.3J	S03J	0.3	600	15	1.1	5.0	
DSR0.3K	S03K	0.3	800	15	1.1	5.0	
DSR0.3M	S03M	0.3	1000	15	1.1	5.0	

### 0.5 Ampere / SOD-123FL

DSR0.5A	SA	0.5	50	20	1.1	5.0	SOD-123FL
DSR0.5B	SB	0.5	100	20	1.1	5.0	
DSR0.5D	SD	0.5	200	20	1.1	5.0	
DSR0.5G	SG	0.5	400	20	1.1	5.0	
DSR0.5J	SJ	0.5	600	20	1.1	5.0	
DSR0.5K	SK	0.5	800	20	1.1	5.0	
DSR0.5M	SM	0.5	1000	20	1.1	5.0	

### 0.7 Ampere / SOD-123FL

DSR0.7A	S07A	0.7	50	25	1.1	5.0	SOD-123FL
DSR0.7B	S07B	0.7	100	25	1.1	5.0	
DSR0.7D	S07D	0.7	200	25	1.1	5.0	
DSR0.7G	S07G	0.7	400	25	1.1	5.0	
DSR0.7J	S07J	0.7	600	25	1.1	5.0	
DSR0.7K	S07K	0.7	800	25	1.1	5.0	
DSR0.7M	S07M	0.7	1000	25	1.1	5.0	

### 1.0 Ampere / SOD-123FL

DSR1A	S1A	1.0	50	25	1.1	5.0	SOD-123FL
DSR1B	S1B	1.0	100	25	1.1	5.0	
DSR1D	S1D	1.0	200	25	1.1	5.0	
DSR1G	S1G	1.0	400	25	1.1	5.0	
DSR1J	S1J	1.0	600	25	1.1	5.0	
DSR1K	S1K	1.0	800	25	1.1	5.0	
DSR1M	S1M	1.0	1000	25	1.1	5.0	



SOD-123FL

## Surface Mount Standard Rectifiers

TYPE	Marking Code	$I_{F(AV)}$	$V_{RRM}$	$I_{FSM}$	$V_{FM}@I_{F(AV)}$	$I_{RM} @ V_{RRM}$	Case Style
		A	V	A	V	$T_A=25^\circ C$ $\mu A$	

### 0.5 Ampere / MSMA

MASR0.5A	SA	0.5	50	15	1.1	5.0	MSMA (SMAF)
MASR0.5B	SB	0.5	100	15	1.1	5.0	
MASR0.5D	SD	0.5	200	15	1.1	5.0	
MASR0.5G	SG	0.5	400	15	1.1	5.0	
MASR0.5J	SJ	0.5	600	15	1.1	5.0	
MASR0.5K	SK	0.5	800	15	1.1	5.0	
MASR0.5M	SM	0.5	1000	15	1.1	5.0	



MSMA  
(SMAF)

### 1.0 Ampere / MSMA

MASR1A	S1A	1.0	50	30	1.1	5.0	MSMA (SMAF)
MASR1B	S1B	1.0	100	30	1.1	5.0	
MASR1D	S1D	1.0	200	30	1.1	5.0	
MASR1G	S1G	1.0	400	30	1.1	5.0	
MASR1J	S1J	1.0	600	30	1.1	5.0	
MASR1K	S1K	1.0	800	30	1.1	5.0	
MASR1M	S1M	1.0	1000	30	1.1	5.0	



MSMA  
(SMAF)

### 2.0 Ampere / MSMA

MASR2A	S2A	2.0	50	50	1.1	5.0	MSMA (SMAF)
MASR2B	S2B	2.0	100	50	1.1	5.0	
MASR2D	S2D	2.0	200	50	1.1	5.0	
MASR2G	S2G	2.0	400	50	1.1	5.0	
MASR2J	S2J	2.0	600	50	1.1	5.0	
MASR2K	S2K	2.0	800	50	1.1	5.0	
MASR2M	S2M	2.0	1000	50	1.1	5.0	



MSMA  
(SMAF)

### 1.0 Ampere / SMA

S1A		1.0	50	30	1.1	5.0	SMA
S1B		1.0	100	30	1.1	5.0	
S1D		1.0	200	30	1.1	5.0	
S1G		1.0	400	30	1.1	5.0	
S1J		1.0	600	30	1.1	5.0	
S1K		1.0	800	30	1.1	5.0	
S1M		1.0	1000	30	1.1	5.0	



SMA

### 2.0 Ampere / SMA

S2A/SMA		2	50	50	1.1	5.0	SMA
S2B/SMA		2	100	50	1.1	5.0	
S2D/SMA		2	200	50	1.1	5.0	
S2G/SMA		2	400	50	1.1	5.0	
S2J/SMA		2	600	50	1.1	5.0	
S2K/SMA		2	800	50	1.1	5.0	
S2M/SMA		2	1000	50	1.1	5.0	



SMA

**Surface Mount Standard Rectifiers**

TYPE	$I_{F(AV)}$	$V_{RRM}$	$I_{FSM}$	$V_{FM}@I_{F(AV)}$	$I_{RM} @ V_{RRM}$	Case Style
	A	V	A	V	$T_A=25^\circ C$ $\mu A$	

**2.0 Ampere / SMB**

S2A	2.0	50	50	1.1	5.0	SMB
S2B	2.0	100	50	1.1	5.0	
S2D	2.0	200	50	1.1	5.0	
S2G	2.0	400	50	1.1	5.0	
S2J	2.0	600	50	1.1	5.0	
S2K	2.0	800	50	1.1	5.0	
S2M	2.0	1000	50	1.1	5.0	



SMB

**3.0 Ampere / SMB**

S3A/SMB	3.0	50	100	1.1	5.0	SMB
S3B/SMB	3.0	100	100	1.1	5.0	
S3D/SMB	3.0	200	100	1.1	5.0	
S3G/SMB	3.0	400	100	1.1	5.0	
S3J/SMB	3.0	600	100	1.1	5.0	
S3K/SMB	3.0	800	100	1.1	5.0	
S3M/SMB	3.0	1000	100	1.1	5.0	



SMB

**3.0 Ampere / SMC**

S3A	3.0	50	100	1.1	5.0	SMC
S3B	3.0	100	100	1.1	5.0	
S3D	3.0	200	100	1.1	5.0	
S3G	3.0	400	100	1.1	5.0	
S3J	3.0	600	100	1.1	5.0	
S3K	3.0	800	100	1.1	5.0	
S3M	3.0	1000	100	1.1	5.0	



SMC



## Fast Recovery Rectifiers

TYPE	$I_{F(AV)}$	$V_{RRM}$	$I_{FSM}$	$V_{FM@I_{F(AV)}}$	$I_{RM} @ V_{RRM}$	$t_{rr}$	Case Style
	A	V	A	V	$T_A=25^{\circ}C$ $\mu A$		

### 1.0 Ampere / DO-41

FR101	1.0	50	30	1.3	5.0	150	DO-41
FR102	1.0	100	30	1.3	5.0	150	
FR103	1.0	200	30	1.3	5.0	150	
FR104	1.0	400	30	1.3	5.0	150	
FR105	1.0	600	30	1.3	5.0	250	
FR106	1.0	800	30	1.3	5.0	500	
FR107	1.0	1000	30	1.3	5.0	500	



DO-41

### 1.5 Ampere / DO-15

FR151	1.5	50	50	1.3	5.0	150	DO-15
FR152	1.5	100	50	1.3	5.0	150	
FR153	1.5	200	50	1.3	5.0	150	
FR154	1.5	400	50	1.3	5.0	150	
FR155	1.5	600	50	1.3	5.0	250	
FR156	1.5	800	50	1.3	5.0	500	
FR157	1.5	1000	50	1.3	5.0	500	



DO-15

### 2.0 Ampere / DO-15

FR201	2.0	50	60	1.3	5.0	150	DO-15
FR202	2.0	100	60	1.3	5.0	150	
FR203	2.0	200	60	1.3	5.0	150	
FR204	2.0	400	60	1.3	5.0	150	
FR205	2.0	600	60	1.3	5.0	250	
FR206	2.0	800	60	1.3	5.0	500	
FR207	2.0	1000	60	1.3	5.0	500	



DO-15

### 2.5 Ampere / R-3

FR251	2.5	50	100	1.3	5.0	150	R-3
FR252	2.5	100	100	1.3	5.0	150	
FR253	2.5	200	100	1.3	5.0	150	
FR254	2.5	400	100	1.3	5.0	150	
FR255	2.5	600	100	1.3	5.0	250	
FR256	2.5	800	100	1.3	5.0	500	
FR257	2.5	1000	100	1.3	5.0	500	



R-3

### 3.0 Ampere / DO-27

FR301	3.0	50	150	1.3	10	150	DO-27
FR302	3.0	100	150	1.3	10	150	
FR303	3.0	200	150	1.3	10	150	
FR304	3.0	400	150	1.3	10	150	
FR305	3.0	600	150	1.3	10	250	
FR306	3.0	800	150	1.3	10	500	
FR307	3.0	1000	150	1.3	10	500	



DO-27

## Fast Recovery Rectifiers

TYPE	$I_{F(AV)}$	$V_{RRM}$	$I_{FSM}$	$V_{FM@I_{F(AV)}}$	$I_{RM} @ V_{RRM}$	$t_{rr}$	Case Style
	A	V	A	V	$T_A=25^\circ C$ $\mu A$		

### 6.0 Ampere / R-6

FR601	6.0	50	300	1.3	10	150	R-6
FR602	6.0	100	300	1.3	10	150	
FR603	6.0	200	300	1.3	10	150	
FR604	6.0	400	300	1.3	10	150	
FR605	6.0	600	300	1.3	10	250	
FR606	6.0	800	300	1.3	10	500	
FR607	6.0	1000	300	1.3	10	500	



R-6

### 1.0 Ampere / DO-41

1N4933	1.0	50	30	1.2	5.0	200	DO-41
1N4934	1.0	100	30	1.2	5.0	200	
1N4935	1.0	200	30	1.2	5.0	200	
1N4936	1.0	400	30	1.2	5.0	200	
1N4937	1.0	600	30	1.2	5.0	200	



DO-41

### 1.0 Ampere / DO-41

1N4942	1.0	200	25	1.3	5.0	150	DO-41
1N4944	1.0	400	25	1.3	5.0	150	
1N4946	1.0	600	25	1.3	5.0	250	
1N4947	1.0	800	25	1.3	5.0	250	
1N4948	1.0	1000	25	1.3	5.0	500	



DO-41

### 1.0 Ampere / DO-41

BA157	1.0	400	20	1.3	5.0	150	DO-41
BA158	1.0	600	20	1.3	5.0	250	
BA159D	1.0	800	20	1.3	5.0	500	
BA159	1.0	1000	20	1.3	5.0	500	



DO-41

### 1.0 Ampere / MELF(DO-213AB)

SM4933	1.0	50	30	1.3	5.0	200	DO-213AB
SM4934	1.0	100	30	1.3	5.0	200	
SM4935	1.0	200	30	1.3	5.0	200	
SM4936	1.0	400	30	1.3	5.0	200	
SM4937	1.0	600	30	1.3	5.0	200	



DO-213AB

## Surface Mount Fast Recovery Rectifiers

TYPE	Marking Code	$I_{F(AV)}$	$V_{RRM}$	$I_{FSM}$	$V_{FM@I_{F(AV)}}$	$I_{RM} @ V_{RRM}$	$t_{rr}$	Case Style
		A	V	A	V	$T_A=25^{\circ}C$ $\mu A$		

### 0.3 Ampere / SOD-123FL

DFR0.3A	F03A	0.3	50	10	1.3	5.0	150	SOD-123FL
DFR0.3B	F03B	0.3	100	10	1.3	5.0	150	
DFR0.3D	F03D	0.3	200	10	1.3	5.0	150	
DFR0.3G	F03G	0.3	400	10	1.3	5.0	150	
DFR0.3J	F03J	0.3	600	10	1.3	5.0	250	
DFR0.3K	F03K	0.3	800	10	1.3	5.0	500	
DFR0.3M	F03M	0.3	1000	10	1.3	5.0	500	



### 0.5 Ampere / SOD-123FL

DFR0.5A	FA	0.5	50	15	1.3	5.0	150	SOD-123FL
DFR0.5B	FB	0.5	100	15	1.3	5.0	150	
DFR0.5D	FD	0.5	200	15	1.3	5.0	150	
DFR0.5G	FG	0.5	400	15	1.3	5.0	150	
DFR0.5J	FJ	0.5	600	15	1.3	5.0	250	
DFR0.5K	FK	0.5	800	15	1.3	5.0	500	
DFR0.5M	FM	0.5	1000	15	1.3	5.0	500	



### 1.0 Ampere / SOD-123FL

DFR1A	F1A	1.0	50	25	1.3	5.0	150	SOD-123FL
DFR1B	F1B	1.0	100	25	1.3	5.0	150	
DFR1D	F1D	1.0	200	25	1.3	5.0	150	
DFR1G	F1G	1.0	400	25	1.3	5.0	150	
DFR1J	F1J	1.0	600	25	1.3	5.0	250	
DFR1K	F1K	1.0	800	25	1.3	5.0	500	
DFR1M	F1M	1.0	1000	25	1.3	5.0	500	



### 0.5 Ampere / MSMA

MAFR0.5A	FA	0.5	50	15	1.3	5.0	150	MSMA (SMAF)
MAFR0.5B	FB	0.5	100	15	1.3	5.0	150	
MAFR0.5D	FD	0.5	200	15	1.3	5.0	150	
MAFR0.5G	FG	0.5	400	15	1.3	5.0	150	
MAFR0.5J	FJ	0.5	600	15	1.3	5.0	250	
MAFR0.5K	FK	0.5	800	15	1.3	5.0	500	
MAFR0.5M	FM	0.5	1000	15	1.3	5.0	500	



### 1.0 Ampere / MSMA

MAFR1A	F1A	1.0	50	30	1.3	5.0	150	MSMA (SMAF)
MAFR1B	F1B	1.0	100	30	1.3	5.0	150	
MAFR1D	F1D	1.0	200	30	1.3	5.0	150	
MAFR1G	F1G	1.0	400	30	1.3	5.0	150	
MAFR1J	F1J	1.0	600	30	1.3	5.0	250	
MAFR1K	F1K	1.0	800	30	1.3	5.0	500	
MAFR1M	F1M	1.0	1000	30	1.3	5.0	500	



## Surface Mount Fast Recovery Rectifiers

TYPE	Marking Code	$I_{F(AV)}$	$V_{RRM}$	$I_{FSM}$	$V_{FM@I_{F(AV)}}$	$I_{RM} @ V_{RRM}$	$t_{rr}$	Case Style
		A	V	A	V	$T_A=25^{\circ}C$ $\mu A$		

### 2.0 Ampere / MSMA

MAFR2A	F2A	2.0	50	50	1.3	5.0	150	MSMA (SMAF)
MAFR2B	F2B	2.0	100	50	1.3	5.0	150	
MAFR2D	F2D	2.0	200	50	1.3	5.0	150	
MAFR2G	F2G	2.0	400	50	1.3	5.0	150	
MAFR2J	F2J	2.0	600	50	1.3	5.0	250	
MAFR2K	F2K	2.0	800	50	1.3	5.0	500	
MAFR2M	F2M	2.0	1000	50	1.3	5.0	500	



MSMA  
(SMAF)

### 1.0 Ampere / SMA

RS1A		1.0	50	30	1.3	5.0	150	SMA
RS1B		1.0	100	30	1.3	5.0	150	
RS1D		1.0	200	30	1.3	5.0	150	
RS1G		1.0	400	30	1.3	5.0	150	
RS1J		1.0	600	30	1.3	5.0	250	
RS1K		1.0	800	30	1.3	5.0	500	
RS1M		1.0	1000	30	1.3	5.0	500	



SMA

### 2.0 Ampere / SMA

RS2A/SMA		2.0	50	50	1.3	5.0	150	SMA
RS2B/SMA		2.0	100	50	1.3	5.0	150	
RS2D/SMA		2.0	200	50	1.3	5.0	150	
RS2G/SMA		2.0	400	50	1.3	5.0	150	
RS2J/SMA		2.0	600	50	1.3	5.0	250	
RS2K/SMA		2.0	800	50	1.3	5.0	500	
RS2M/SMA		2.0	1000	50	1.3	5.0	500	



SMA

### 2.0 Ampere / SMB

RS2A		2.0	50	50	1.3	5.0	150	SMB
RS2B		2.0	100	50	1.3	5.0	150	
RS2D		2.0	200	50	1.3	5.0	150	
RS2G		2.0	400	50	1.3	5.0	150	
RS2J		2.0	600	50	1.3	5.0	250	
RS2K		2.0	800	50	1.3	5.0	500	
RS2M		2.0	1000	50	1.3	5.0	500	



SMB

### 3.0 Ampere / SMC

RS3A		3.0	50	100	1.3	5.0	150	SMC
RS3B		3.0	100	100	1.3	5.0	150	
RS3D		3.0	200	100	1.3	5.0	150	
RS3G		3.0	400	100	1.3	5.0	150	
RS3J		3.0	600	100	1.3	5.0	250	
RS3K		3.0	800	100	1.3	5.0	500	
RS3M		3.0	1000	100	1.3	5.0	500	



SMC

## Ultra Fast Rectifiers

TYPE	$I_{F(AV)}$	$V_{RRM}$	$I_{FSM}$	$V_{FM@I_{F(AV)}}$	$I_{RM} @ V_{RRM}$	$t_{rr}$	Case Style
	A	V	A	V	$T_A=25^{\circ}C$ $\mu A$		

### 1.0 Ampere / R-1

1H1	1.0	50	25	1.0	5.0	50	R-1
1H2	1.0	100	25	1.0	5.0	50	
1H3	1.0	200	25	1.0	5.0	50	
1H4	1.0	300	25	1.3	5.0	50	
1H5	1.0	400	25	1.3	5.0	50	
1H6	1.0	600	25	1.7	5.0	75	
1H7	1.0	800	25	1.7	5.0	75	
1H8	1.0	1000	25	1.7	5.0	75	



R-1

### 1.0 Ampere / DO-41

HER101	1.0	50	30	1.0	5.0	50	DO-41
HER102	1.0	100	30	1.0	5.0	50	
HER103	1.0	200	30	1.0	5.0	50	
HER104	1.0	300	30	1.3	5.0	50	
HER105	1.0	400	30	1.3	5.0	50	
HER106	1.0	600	30	1.7	5.0	75	
HER107	1.0	800	30	1.7	5.0	75	
HER108	1.0	1000	30	1.7	5.0	75	



DO-41

### 1.5 Ampere / DO-15

HER151	1.5	50	50	1.0	5.0	50	DO-15
HER152	1.5	100	50	1.0	5.0	50	
HER153	1.5	200	50	1.0	5.0	50	
HER154	1.5	300	50	1.3	5.0	50	
HER155	1.5	400	50	1.3	5.0	50	
HER156	1.5	600	50	1.7	5.0	75	
HER157	1.5	800	50	1.7	5.0	75	
HER158	1.5	1000	50	1.7	5.0	75	



DO-15

### 2.0 Ampere / DO-15

HER201	2.0	50	60	1.0	5.0	50	DO-15
HER202	2.0	100	60	1.0	5.0	50	
HER203	2.0	200	60	1.0	5.0	50	
HER204	2.0	300	60	1.3	5.0	50	
HER205	2.0	400	60	1.3	5.0	50	
HER206	2.0	600	60	1.7	5.0	75	
HER207	2.0	800	60	1.7	5.0	75	
HER208	2.0	1000	60	1.7	5.0	75	



DO-15

## Ultra Fast Rectifiers

TYPE	$I_{F(AV)}$	$V_{RRM}$	$I_{FSM}$	$V_{FM@I_{F(AV)}}$	$I_{RM} @ V_{RRM}$	$t_{rr}$	Case Style
	A	V	A	V	$T_A=25^{\circ}C$ $\mu A$	nS	

### 2.5 Ampere / R-3

HER251	2.5	50	100	1.0	5.0	50	R-3
HER252	2.5	100	100	1.0	5.0	50	
HER253	2.5	200	100	1.0	5.0	50	
HER254	2.5	300	100	1.3	5.0	50	
HER255	2.5	400	100	1.3	5.0	50	
HER256	2.5	600	100	1.7	5.0	75	
HER257	2.5	800	100	1.7	5.0	75	
HER258	2.5	1000	100	1.7	5.0	75	



### 3.0 Ampere / DO-27

HER301	3.0	50	150	1.0	10	50	DO-27
HER302	3.0	100	150	1.0	10	50	
HER303	3.0	200	150	1.0	10	50	
HER304	3.0	300	150	1.3	10	50	
HER305	3.0	400	150	1.3	10	50	
HER306	3.0	600	150	1.7	10	75	
HER307	3.0	800	150	1.7	10	75	
HER308	3.0	1000	150	1.7	10	75	



### 6.0 Ampere / R-6

HER601	6.0	50	200	1.0	10	50	R-6
HER602	6.0	100	200	1.0	10	50	
HER603	6.0	200	200	1.0	10	50	
HER604	6.0	300	200	1.3	10	50	
HER605	6.0	400	200	1.3	10	50	
HER606	6.0	600	200	1.7	10	75	
HER607	6.0	800	200	1.7	10	75	
HER608	6.0	1000	200	1.7	10	75	



## Ultra Fast Rectifiers

TYPE	$I_{F(AV)}$	$V_{RRM}$	$I_{FSM}$	$V_{FM}@I_{F(AV)}$	$I_{RM} @ V_{RRM}$	$t_{rr}$	Case Style
	A	V	A	V	$T_A=25^{\circ}C$ $\mu A$		

### 1.0 Ampere / DO-41

UF4001	1.0	50	30	1.0	5.0	50	DO-41
UF4002	1.0	100	30	1.0	5.0	50	
UF4003	1.0	200	30	1.0	5.0	50	
UF4004	1.0	400	30	1.3	5.0	50	
UF4005	1.0	600	30	1.7	5.0	75	
UF4006	1.0	800	30	1.7	5.0	75	
UF4007	1.0	1000	30	1.7	5.0	75	



DO-41

### 1.0 Ampere / DO-41

UF1001	1.0	50	30	1.0	5.0	50	DO-41
UF1002	1.0	100	30	1.0	5.0	50	
UF1003	1.0	200	30	1.0	5.0	50	
UF1004	1.0	400	30	1.3	5.0	50	
UF1005	1.0	600	30	1.7	5.0	75	
UF1006	1.0	800	30	1.7	5.0	75	
UF1007	1.0	1000	30	1.7	5.0	75	



DO-41

### 3.0 Ampere / DO-27

UF5400	3.0	50	150	1.0	5.0	50	DO-27
UF5401	3.0	100	150	1.0	5.0	50	
UF5402	3.0	200	150	1.0	5.0	50	
UF5403	3.0	300	150	1.0	5.0	50	
UF5404	3.0	400	150	1.3	5.0	50	
UF5405	3.0	500	150	1.7	5.0	75	
UF5406	3.0	600	150	1.7	5.0	75	
UF5407	3.0	800	150	1.7	5.0	75	
UF5408	3.0	1000	150	1.7	5.0	75	



DO-27

### 3.0 Ampere / DO-27

UF3001	3.0	50	150	1.0	5.0	50	DO-27
UF3002	3.0	100	150	1.0	5.0	50	
UF3003	3.0	200	150	1.0	5.0	50	
UF3004	3.0	400	150	1.3	5.0	50	
UF3005	3.0	600	150	1.7	5.0	75	
UF3006	3.0	800	150	1.7	5.0	75	
UF3007	3.0	1000	150	1.7	5.0	75	



DO-27

### 1.0 Ampere / MELF(DO-213AB)

SUF4001	1.0	50	30	1.0	5.0	50	DO-213AB
SUF4002	1.0	100	30	1.0	5.0	50	
SUF4003	1.0	200	30	1.0	5.0	50	
SUF4004	1.0	400	30	1.3	5.0	50	
SUF4005	1.0	600	30	1.7	5.0	75	
SUF4006	1.0	800	30	1.7	5.0	75	
SUF4007	1.0	1000	30	1.7	5.0	75	



DO-213AB

## Surface Mount Ultra Fast Rectifiers

TYPE	Marking Code	$I_{F(AV)}$	$V_{RRM}$	$I_{FSM}$	$V_{FM@I_{F(AV)}}$	$I_{RM} @ V_{RRM}$	$t_{rr}$	Case Style
		A	V	A	V	$T_A=25^{\circ}C$ $\mu A$		

### 0.3 Ampere / SOD-123FL

DHE0.3A	U03A	0.3	50	10	1.0	5.0	50	SOD-123FL
DHE0.3B	U03B	0.3	100	10	1.0	5.0	50	
DHE0.3D	U03D	0.3	200	10	1.0	5.0	50	
DHE0.3E	U03E	0.3	300	10	1.3	5.0	50	
DHE0.3G	U03G	0.3	400	10	1.3	5.0	50	
DHE0.3J	U03J	0.3	600	10	1.7	5.0	75	
DHE0.3K	U03K	0.3	800	10	1.7	5.0	75	
DHE0.3M	U03M	0.3	1000	10	1.7	5.0	75	



### 0.5 Ampere / SOD-123FL

DHE0.5A	UA	0.5	50	15	1.0	5.0	50	SOD-123FL
DHE0.5B	UB	0.5	100	15	1.0	5.0	50	
DHE0.5D	UD	0.5	200	15	1.0	5.0	50	
DHE0.5E	UE	0.5	300	15	1.3	5.0	50	
DHE0.5G	UG	0.5	400	15	1.3	5.0	50	
DHE0.5J	UJ	0.5	600	15	1.7	5.0	75	
DHE0.5K	UK	0.5	800	15	1.7	5.0	75	
DHE0.5M	UM	0.5	1000	15	1.7	5.0	75	



### 1.0 Ampere / SOD-123FL

DHE1A	U1A	1.0	50	25	1.0	5.0	50	SOD-123FL
DHE1B	U1B	1.0	100	25	1.0	5.0	50	
DHE1D	U1D	1.0	200	25	1.0	5.0	50	
DHE1E	U1E	1.0	300	25	1.3	5.0	50	
DHE1G	U1G	1.0	400	25	1.3	5.0	50	
DHE1J	U1J	1.0	600	25	1.7	5.0	75	
DHE1K	U1K	1.0	800	25	1.7	5.0	75	
DHE1M	U1M	1.0	1000	25	1.7	5.0	75	



### 0.5 Ampere / MSMA

MAHE0.5A	UA	0.5	50	15	1.0	5.0	50	MSMA (SMAF)
MAHE0.5B	UB	0.5	100	15	1.0	5.0	50	
MAHE0.5D	UD	0.5	200	15	1.0	5.0	50	
MAHE0.5G	UG	0.5	400	15	1.3	5.0	50	
MAHE0.5J	UJ	0.5	600	15	1.7	5.0	75	
MAHE0.5K	UK	0.5	800	15	1.7	5.0	75	
MAHE0.5M	UM	0.5	1000	15	1.7	5.0	75	



### 1.0 Ampere / MSMA

MAHE1A	U1A	1.0	50	30	1.0	5.0	50	MSMA (SMAF)
MAHE1B	U1B	1.0	100	30	1.0	5.0	50	
MAHE1D	U1D	1.0	200	30	1.0	5.0	50	
MAHE1G	U1G	1.0	400	30	1.3	5.0	50	
MAHE1J	U1J	1.0	600	30	1.7	5.0	75	
MAHE1K	U1K	1.0	800	30	1.7	5.0	75	
MAHE1M	U1M	1.0	1000	30	1.7	5.0	75	





## Surface Mount Ultra Fast Rectifiers

TYPE	Marking Code	$I_{F(AV)}$	$V_{RRM}$	$I_{FSM}$	$V_{FM@I_{F(AV)}}$	$I_{RM} @ V_{RRM}$	$t_{rr}$	Case Style
		A	V	A	V	$T_A=25^{\circ}C$ $\mu A$		

### 2.0 Ampere / MSMA

MAHE2A	U2A	2.0	50	50	1.0	5.0	50	MSMA (SMAF)
MAHE2B	U2B	2.0	100	50	1.0	5.0	50	
MAHE2D	U2D	2.0	200	50	1.0	5.0	50	
MAHE2G	U2G	2.0	400	50	1.3	5.0	50	
MAHE2J	U2J	2.0	600	50	1.7	5.0	75	
MAHE2K	U2K	2.0	800	50	1.7	5.0	75	
MAHE2M	U2M	2.0	1000	50	1.7	5.0	75	



### 1.0 Ampere / SMA

US1A	—	1.0	50	30	1.0	5.0	50	SMA
US1B	—	1.0	100	30	1.0	5.0	50	
US1D	—	1.0	200	30	1.0	5.0	50	
US1G	—	1.0	400	30	1.3	5.0	50	
US1J	—	1.0	600	30	1.7	5.0	75	
US1K	—	1.0	800	30	1.7	5.0	75	
US1M	—	1.0	1000	30	1.7	5.0	75	



### 2.0 Ampere / SMA

US2A/SMA	—	2.0	50	50	1.0	5.0	50	SMA
US2B/SMA	—	2.0	100	50	1.0	5.0	50	
US2D/SMA	—	2.0	200	50	1.0	5.0	50	
US2G/SMA	—	2.0	400	50	1.3	5.0	50	
US2J/SMA	—	2.0	600	50	1.7	5.0	75	
US2K/SMA	—	2.0	800	50	1.7	5.0	75	
US2M/SMA	—	2.0	1000	50	1.7	5.0	75	



### 2.0 Ampere / SMB

US2A	—	2.0	50	50	1.0	5.0	50	SMB
US2B	—	2.0	100	50	1.0	5.0	50	
US2D	—	2.0	200	50	1.0	5.0	50	
US2G	—	2.0	400	50	1.3	5.0	50	
US2J	—	2.0	600	50	1.7	5.0	75	
US2K	—	2.0	800	50	1.7	5.0	75	
US2M	—	2.0	1000	50	1.7	5.0	75	



### 3.0 Ampere/ SMC

US3A	—	3.0	50	100	1.0	5.0	50	SMC
US3B	—	3.0	100	100	1.0	5.0	50	
US3D	—	3.0	200	100	1.0	5.0	50	
US3G	—	3.0	400	100	1.3	5.0	50	
US3J	—	3.0	600	100	1.7	5.0	75	
US3K	—	3.0	800	100	1.7	5.0	75	
US3M	—	3.0	1000	100	1.7	5.0	75	



## Super Fast Rectifiers

TYPE	$I_{F(AV)}$	$V_{RRM}$	$I_{FSM}$	$V_{FM@I_{F(AV)}}$	$I_{RM} @ V_{RRM}$	$t_{rr}$	Case Style
	A	V	A	V	$T_A=25^{\circ}C$ $\mu A$		

### 1.0 Ampere / DO-41

SF11	1.0	50	30	0.95	5.0	35	DO-41
SF12	1.0	100	30	0.95	5.0	35	
SF13	1.0	150	30	0.95	5.0	35	
SF14	1.0	200	30	0.95	5.0	35	
SF15	1.0	300	30	1.25	5.0	35	
SF16	1.0	400	30	1.25	5.0	35	
SF17	1.0	500	30	1.70	5.0	35	
SF18	1.0	600	30	1.70	5.0	35	



DO-41

### 2.0 Ampere / DO-15

SF21	2.0	50	50	0.95	5.0	35	DO-15
SF22	2.0	100	50	0.95	5.0	35	
SF23	2.0	150	50	0.95	5.0	35	
SF24	2.0	200	50	0.95	5.0	35	
SF25	2.0	300	50	1.25	5.0	35	
SF26	2.0	400	50	1.25	5.0	35	
SF27	2.0	500	50	1.70	5.0	35	
SF28	2.0	600	50	1.70	5.0	35	



DO-15

### 3.0 Ampere / DO-27

SF31	3.0	50	100	0.95	5.0	35	DO-27
SF32	3.0	100	100	0.95	5.0	35	
SF33	3.0	150	100	0.95	5.0	35	
SF34	3.0	200	100	0.95	5.0	35	
SF35	3.0	300	100	1.25	5.0	35	
SF36	3.0	400	100	1.25	5.0	35	
SF37	3.0	500	100	1.70	5.0	35	
SF38	3.0	600	100	1.70	5.0	35	



DO-27

### 6.0 Ampere / R-6

SF61	6.0	50	150	0.975	5.0	35	R-6
SF62	6.0	100	150	0.975	5.0	35	
SF63	6.0	150	150	0.975	5.0	35	
SF64	6.0	200	150	0.975	5.0	35	
SF65	6.0	300	150	1.30	5.0	35	
SF66	6.0	400	150	1.30	5.0	35	
SF67	6.0	500	150	1.70	5.0	35	
SF68	6.0	600	150	1.70	5.0	35	



R-6

## Super Fast Rectifiers

TYPE	$I_{F(AV)}$	$V_{RRM}$	$I_{FSM}$	$V_{FM}@I_{F(AV)}$	$I_{RM} @ V_{RRM}$	$t_{rr}$	Case Style
	A	V	A	V	$T_A=25^\circ C$ $\mu A$		

### 4.0 Ampere Super Fast / DO-27

MUR405CT	4.0	50	100	0.950	10	35	DO-27
MUR410CT	4.0	100	100	0.950	10	35	
MUR415CT	4.0	150	100	0.950	10	35	
MUR420CT	4.0	200	100	0.950	10	35	
MUR440CT	4.0	400	100	1.30	10	50	
MUR460CT	4.0	600	100	1.30	10	50	



DO-27

### 8.0 Ampere Super Fast / TO-220AC

MUR805	8.0	50	100	0.975	10	35	TO-220AC
MUR810	8.0	100	100	0.975	10	35	
MUR815	8.0	150	100	0.975	10	35	
MUR820	8.0	200	100	0.975	10	35	
MUR840	8.0	400	100	1.30	10	50	
MUR860	8.0	600	100	1.50	10	50	



TO-220AC

### 10 Ampere Super Fast / TO-220AB

MUR1005CT	10.0	50	100	0.950	10	35	TO-220AB
MUR1010CT	10.0	100	100	0.950	10	35	
MUR1015CT	10.0	150	100	0.950	10	35	
MUR1020CT	10.0	200	100	0.950	10	35	
MUR1030CT	10.0	300	100	1.30	10	50	
MUR1040CT	10.0	400	100	1.30	10	50	



TO-220AB

### 16 Ampere Super Fast / TO-220AB

MUR1605CT	16.0	50	100	0.975	5	35	TO-220AB
MUR1610CT	16.0	100	100	0.975	5	35	
MUR1615CT	16.0	150	100	0.975	5	35	
MUR1620CT	16.0	200	100	0.975	5	35	
MUR1640CT	16.0	400	100	1.30	10	60	
MUR1660CT	16.0	600	100	1.50	10	60	



TO-220AB

### 20 Ampere Super Fast / TO-220AB

MUR2010CT	20.0	100	125	1.10	5	35	TO-220AB
MUR2020CT	20.0	200	125	1.10	5	35	
MUR2040CT	20.0	400	125	1.30	10	70	
MUR2060CT	20.0	600	125	1.50	10	70	



TO-220AB

### 30 Ampere Super Fast / TO-247

MUR3005WT	30.0	50	300	1.05	10	50	TO-247
MUR3010WT	30.0	100	300	1.05	10	50	
MUR3020WT	30.0	200	300	1.05	10	50	
MUR3040WT	30.0	400	300	1.30	10	80	
MUR3060WT	30.0	600	300	1.70	10	80	



TO-247

**Surface Mount Super Fast Rectifiers**

TYPE	Marking Code	$I_{F(AV)}$	$V_{RRM}$	$I_{FSM}$	$V_{FM@I_{F(AV)}}$	$I_{RM} @ V_{RRM}$	$t_{rr}$	Case Style
		A	V	A	V	$T_A=25^\circ C$ $\mu A$		

**0.3 Ampere / SOD-123FL**

DSF0.3A	E03A	0.3	50	10	0.95	5.0	35	SOD-123FL
DSF0.3B	E03B	0.3	100	10	0.95	5.0	35	
DSF0.3C	E03C	0.3	150	10	0.95	5.0	35	
DSF0.3D	E03D	0.3	200	10	0.95	5.0	35	
DSF0.3E	E03E	0.3	300	10	1.25	5.0	35	
DSF0.3G	E03G	0.3	400	10	1.25	5.0	35	
DSF0.3J	E03J	0.3	600	10	1.25	5.0	35	


**0.5 Ampere / SOD-123FL**

DSF0.5A	EA	0.5	50	15	0.95	5.0	35	SOD-123FL
DSF0.5B	EB	0.5	100	15	0.95	5.0	35	
DSF0.5C	EC	0.5	150	15	0.95	5.0	35	
DSF0.5D	ED	0.5	200	15	0.95	5.0	35	
DSF0.5E	EE	0.5	300	15	1.25	5.0	35	
DSF0.5G	EG	0.5	400	15	1.25	5.0	35	
DSF0.5J	EJ	0.5	600	15	1.25	5.0	35	


**1.0 Ampere / SOD-123FL**

DSF1A	E1A	1.0	50	25	0.95	5.0	35	SOD-123FL
DSF1B	E1B	1.0	100	25	0.95	5.0	35	
DSF1C	E1C	1.0	150	25	0.95	5.0	35	
DSF1D	E1D	1.0	200	25	0.95	5.0	35	
DSF1E	E1E	1.0	300	25	1.25	5.0	35	
DSF1G	E1G	1.0	400	25	1.25	5.0	35	
DSF1J	E1J	1.0	600	25	1.25	5.0	35	


**0.5 Ampere / MSMA**

MASF0.5A	EA	0.5	50	15	0.95	5.0	35	MSMA (SMAF)
MASF0.5B	EB	0.5	100	15	0.95	5.0	35	
MASF0.5C	EC	0.5	150	15	0.95	5.0	35	
MASF0.5D	ED	0.5	200	15	0.95	5.0	35	
MASF0.5E	EE	0.5	300	15	1.25	5.0	35	
MASF0.5G	EG	0.5	400	15	1.25	5.0	35	
MASF0.5J	EJ	0.5	600	15	1.70	5.0	35	


**1.0 Ampere / MSMA**

MASF1A	E1A	1.0	50	30	0.95	5.0	35	MSMA (SMAF)
MASF1B	E1B	1.0	100	30	0.95	5.0	35	
MASF1C	E1C	1.0	150	30	0.95	5.0	35	
MASF1D	E1D	1.0	200	30	0.95	5.0	35	
MASF1E	E1E	1.0	300	30	1.25	5.0	35	
MASF1G	E1G	1.0	400	30	1.25	5.0	35	
MASF1J	E1J	1.0	600	30	1.70	5.0	35	



## Surface Mount Super Fast Rectifiers

TYPE	Marking Code	$I_{F(AV)}$	$V_{RRM}$	$I_{FSM}$	$V_{FM@I_{F(AV)}}$	$I_{RM} @ V_{RRM}$	$t_{rr}$	Case Style
		A	V	A	V	$T_A=25^{\circ}C$ $\mu A$		

### 2.0 Ampere / MSMA

MASF2A	E2A	2.0	50	50	0.95	5.0	35	MSMA (SMAF)
MASF2B	E2B	2.0	100	50	0.95	5.0	35	
MASF2C	E2C	2.0	150	50	0.95	5.0	35	
MASF2D	E2D	2.0	200	50	0.95	5.0	35	
MASF2E	E2E	2.0	300	50	1.25	5.0	35	
MASF2G	E2G	2.0	400	50	1.25	5.0	35	
MASF2J	E2J	2.0	600	50	1.70	5.0	35	



MSMA  
(SMAF)

### 1.0 Ampere / SMA

ES1A	—	1.0	50	30	0.95	5.0	35	SMA
ES1B	—	1.0	100	30	0.95	5.0	35	
ES1C	—	1.0	150	30	0.95	5.0	35	
ES1D	—	1.0	200	30	0.95	5.0	35	
ES1E	—	1.0	300	30	1.25	5.0	35	
ES1G	—	1.0	400	30	1.25	5.0	35	
ES1J	—	1.0	600	30	1.70	5.0	35	



SMA

### 2.0 Ampere / SMA

ES2A/SMA	—	2.0	50	50	0.95	5.0	35	SMA
ES2B/SMA	—	2.0	100	50	0.95	5.0	35	
ES2C/SMA	—	2.0	150	50	0.95	5.0	35	
ES2D/SMA	—	2.0	200	50	0.95	5.0	35	
ES2E/SMA	—	2.0	300	50	1.25	5.0	35	
ES2G/SMA	—	2.0	400	50	1.25	5.0	35	
ES2J/SMA	—	2.0	600	50	1.70	5.0	35	



SMA

### 2.0 Ampere / SMB

ES2A	—	2.0	50	50	0.95	5.0	35	SMB
ES2B	—	2.0	100	50	0.95	5.0	35	
ES2C	—	2.0	150	50	0.95	5.0	35	
ES2D	—	2.0	200	50	0.95	5.0	35	
ES2E	—	2.0	300	50	1.25	5.0	35	
ES2G	—	2.0	400	50	1.25	5.0	35	
ES2J	—	2.0	600	50	1.70	5.0	35	



SMB

### 3.0 Ampere / SMC

ES3A	—	3.0	50	100	0.95	5.0	35	SMC
ES3B	—	3.0	100	100	0.95	5.0	35	
ES3C	—	3.0	150	100	0.95	5.0	35	
ES3D	—	3.0	200	100	0.95	5.0	35	
ES3E	—	3.0	300	100	1.25	5.0	35	
ES3G	—	3.0	400	100	1.25	5.0	35	
ES3J	—	3.0	600	100	1.70	5.0	35	



SMC

## High Voltage Rectifiers

TYPE	$I_{F(AV)}$	$V_{RRM}$	$I_{FSM}$	$V_{FM@I_{F(AV)}}$	$I_{RM} @ V_{RRM}$	$t_{rr}$	Case Style
	A	V	A	V	$T_A=25^{\circ}C$ $\mu A$		

### 0.1 Ampere / DO-41

PR1000	0.1	1000	20	1.5	5.0	300	DO-41
PR1200	0.1	1200	20	1.5	5.0	300	
PR1400	0.1	1400	20	1.5	5.0	300	
PR1600	0.1	1600	20	1.5	5.0	300	
PR1800	0.1	1800	20	1.5	5.0	300	



### 0.2-0.5 Ampere / DO-41 / DO-15

R1200	0.5	1200	30	2.0	5.0	-	DO-41
R1500	0.5	1500	30	2.0	5.0	-	
R1800	0.5	1800	30	2.0	5.0	-	
R2000	0.2	2000	30	2.0	5.0	-	
R2500	0.2	2500	30	3.0	5.0	-	
R3000	0.2	3000	30	4.0	5.0	-	
R4000	0.2	4000	30	5.0	5.0	-	
R5000	0.2	5000	30	5.0	5.0	-	



### 0.2-0.5 Ampere / DO-41 / DO-15

R1200F	0.5	1200	30	2.5	5.0	500	DO-41
R1500F	0.5	1500	30	2.5	5.0	500	
R1800F	0.5	1800	30	2.5	5.0	500	
R2000F	0.2	2000	30	4.0	5.0	500	
R2500F	0.2	2500	30	4.0	5.0	500	
R3000F	0.2	3000	30	5.0	5.0	500	
R4000F	0.2	4000	30	6.5	5.0	500	
R5000F	0.2	5000	30	6.5	5.0	500	



### 0.35 Ampere / HVM

HVM5	0.35	5000	50	8.0	5.0	-	HVM
HVM8	0.35	8000	50	14.0	5.0	-	
HVM10	0.35	10000	50	14.0	5.0	-	
HVM12	0.35	12000	50	14.0	5.0	-	
HVM14	0.35	14000	50	14.0	5.0	-	
HVM15	0.35	15000	50	14.0	5.0	-	
HVM16	0.35	16000	50	14.0	5.0	-	



### 1.0 Ampere / DO-41

EM513	1.0	1600	30	1.1	5.0	-	DO-41
EM516	1.0	1800	30	1.1	5.0	-	
EM518	1.0	2000	30	1.1	5.0	-	

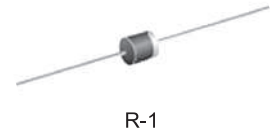


## Schottky Barrier Rectifiers

TYPE	$I_{F(AV)}$	$V_{RRM}$	$I_{FSM}$	$V_{FM@I_{F(AV)}}$	$I_{RM} @ V_{RRM}$	Case Style
	A	V	A	V	$T_A=25^{\circ}C$ mA	

### 1.0 Ampere / R-1

1S20	1.0	20	35	0.55	0.5	R-1
1S30	1.0	30	35	0.55	0.5	
1S40	1.0	40	35	0.55	0.5	
1S50	1.0	50	35	0.70	0.5	
1S60	1.0	60	35	0.70	0.5	
1S80	1.0	80	35	0.85	0.5	
1S100	1.0	100	35	0.85	0.5	



### 1.0 Ampere / DO-41

1N5817	1.0	20	25	0.45	1.0	DO-41
1N5818	1.0	30	25	0.55	1.0	
1N5819	1.0	40	25	0.60	1.0	



### 1.0 Ampere / DO-41

SB120	1.0	20	30	0.50	0.5	DO-41
SB130	1.0	30	30	0.50	0.5	
SB140	1.0	40	30	0.50	0.5	
SB150	1.0	50	30	0.70	0.5	
SB160	1.0	60	30	0.70	0.5	
SB180	1.0	80	30	0.85	0.5	
SB1100	1.0	100	30	0.85	0.5	



### 2.0 Ampere / DO-15

SB220	2.0	20	50	0.50	0.5	DO-15
SB230	2.0	30	50	0.50	0.5	
SB240	2.0	40	50	0.50	0.5	
SB250	2.0	50	50	0.70	0.5	
SB260	2.0	60	50	0.70	0.5	
SB280	2.0	80	50	0.85	0.5	
SB2100	2.0	100	50	0.85	0.5	



### 3.0 Ampere / DO-27

1N5820	3.0	20	80	0.475	2.0	DO-27
1N5821	3.0	30	80	0.500	2.0	
1N5822	3.0	40	80	0.525	2.0	

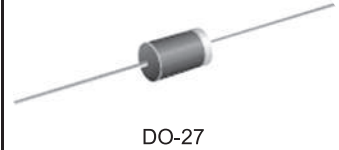


## Schottky Barrier Rectifiers

TYPE	$I_{F(AV)}$	$V_{RRM}$	$I_{FSM}$	$V_{FM}@I_{F(AV)}$	$I_{RM} @ V_{RRM}$	Case Style
	A	V	A	V	$T_A=25^\circ C$ mA	

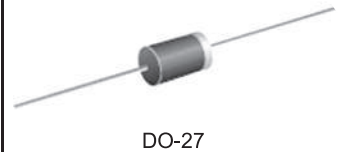
### 3.0 Ampere / DO-27

SB320	3.0	20	80	0.55	0.5	DO-27
SB330	3.0	30	80	0.55	0.5	
SB340	3.0	40	80	0.55	0.5	
SB350	3.0	50	80	0.75	0.5	
SB360	3.0	60	80	0.75	0.5	
SB380	3.0	80	80	0.85	0.5	
SB3100	3.0	100	80	0.85	0.5	



### 5.0 Ampere / DO-27

SB520	5.0	20	150	0.55	0.5	DO-27
SB530	5.0	30	150	0.55	0.5	
SB540	5.0	40	150	0.55	0.5	
SB550	5.0	50	150	0.70	0.5	
SB560	5.0	60	150	0.70	0.5	
SB580	5.0	80	150	0.85	0.5	
SB5100	5.0	100	150	0.85	0.5	



### 1.0 Ampere / DO-41

SR120	1.0	20	40	0.50	0.5	DO-41
SR130	1.0	30	40	0.50	0.5	
SR140	1.0	40	40	0.50	0.5	
SR150	1.0	50	40	0.70	0.5	
SR160	1.0	60	40	0.70	0.5	
SR180	1.0	80	40	0.85	0.5	
SR1100	1.0	100	40	0.85	0.5	



### 2.0 Ampere / DO-15

SR220	2.0	20	50	0.50	0.5	DO-15
SR230	2.0	30	50	0.50	0.5	
SR240	2.0	40	50	0.50	0.5	
SR250	2.0	50	50	0.70	0.5	
SR260	2.0	60	50	0.70	0.5	
SR280	2.0	80	50	0.85	0.5	
SR2100	2.0	100	50	0.85	0.5	



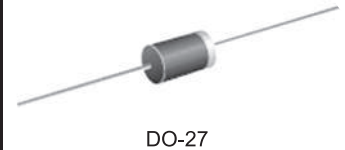


## Schottky Barrier Rectifiers

TYPE	$I_{F(AV)}$	$V_{RRM}$	$I_{FSM}$	$V_{FM@I_{F(AV)}}$	$I_{RM} @ V_{RRM}$	Case Style
	A	V	A	V	$T_A=25^{\circ}C$ mA	

### 5.0 Ampere / DO-27

SR520	5.0	20	150	0.55	0.5	DO-27
SR530	5.0	30	150	0.55	0.5	
SR540	5.0	40	150	0.55	0.5	
SR550	5.0	50	150	0.70	0.5	
SR560	5.0	60	150	0.70	0.5	
SR580	5.0	80	150	0.85	0.5	
SR5100	5.0	100	150	0.85	0.5	



### 1.0 Ampere / MELF(DO-213AB)

SMS120	1.0	20	30	0.50	0.5	DO-213AB
SMS130	1.0	30	30	0.50	0.5	
SMS140	1.0	40	30	0.50	0.5	
SMS150	1.0	50	30	0.70	0.5	
SMS160	1.0	60	30	0.70	0.5	
SMS190	1.0	90	30	0.79	0.5	
SMS1A0	1.0	100	30	0.79	0.5	



### 1.0 Ampere / MELF(DO-213AB)

SM5817	1.0	20	25	0.45	1.0	DO-213AB
SM5818	1.0	30	25	0.55	1.0	
SM5819	1.0	40	25	0.60	1.0	



### 2.0 Ampere / MELF(DO-213AB)

SMS220	2.0	20	50	0.50	0.5	DO-213AB
SMS230	2.0	30	50	0.50	0.5	
SMS240	2.0	40	50	0.50	0.5	
SMS260	2.0	60	50	0.70	0.5	
SMS290	2.0	90	50	0.79	0.5	
SMS2A0	2.0	100	50	0.79	0.5	



## Schottky Barrier Rectifiers

TYPE	$I_{F(AV)}$	$V_{RRM}$	$I_{FSM}$	$V_{FM}@I_{F(AV)}$	$I_{RM} @ V_{RRM}$	Case Style
	A	V	A	V	$T_A=25^\circ C$ mA	

### 8.0 Ampere / TO-220AC

SR820	8.0	20	150	0.65	0.5	TO-220AC
SR830	8.0	30	150	0.65	0.5	
SR840	8.0	40	150	0.65	0.5	
SR850	8.0	50	150	0.75	0.5	
SR860	8.0	60	150	0.75	0.5	



TO-220AC

### 10 Ampere / TO-220AB / TO-220AC

SR1020	10.0	20	120	0.55	0.5	TO-220AB / AC
SR1030	10.0	30	120	0.55	0.5	
SR1040	10.0	40	120	0.55	0.5	
SR1050	10.0	50	120	0.70	0.5	
SR1060	10.0	60	120	0.70	0.5	
SR1090	10.0	90	120	0.85	0.5	
SR10100	10.0	100	120	0.85	0.5	
SR10150	10.0	150	120	0.95	0.5	



TO-220AB

TO-220AC

### 16 Ampere / TO-220AB / TO-220AC

SR1620	16.0	20	170	0.55	0.5	TO-220AB / AC
SR1630	16.0	30	170	0.55	0.5	
SR1640	16.0	40	170	0.55	0.5	
SR1650	16.0	50	170	0.70	0.5	
SR1660	16.0	60	170	0.70	0.5	
SR1690	16.0	90	170	0.90	0.5	
SR16100	16.0	100	170	0.90	0.5	
SR16150	16.0	150	170	1.00	0.5	



TO-220AB

TO-220AC

### 20 Ampere / TO-220AB / TO-220AC

SR2020	20.0	20	200	0.80	0.5	TO-220AB / AC
SR2030	20.0	30	200	0.80	0.5	
SR2040	20.0	40	200	0.80	0.5	
SR2050	20.0	50	200	0.85	0.5	
SR2060	20.0	60	200	0.85	0.5	
SR2090	20.0	90	200	0.90	0.5	
SR20100	20.0	100	200	0.90	0.5	
SR20150	20.0	150	200	1.00	0.5	



TO-220AB

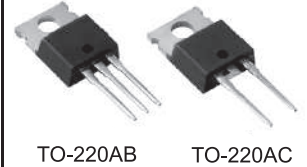
TO-220AC

**Schottky Barrier Rectifiers**

TYPE	$I_{F(AV)}$	$V_{RRM}$	$I_{FSM}$	$V_{FM@I_{F(AV)}}$	$I_{RM} @ V_{RRM}$	Case Style
	A	V	A	V	$T_A=25^{\circ}C$ mA	

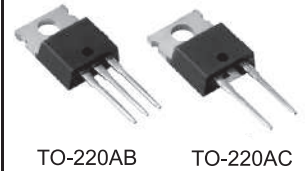
25 Ampere / TO-220AB / TO-220AC

SR2520	25.0	20	250	0.80	0.5	TO-220AB / AC
SR2530	25.0	30	250	0.80	0.5	
SR2540	25.0	40	250	0.80	0.5	
SR2550	25.0	50	250	0.85	0.5	
SR2560	25.0	60	250	0.85	0.5	
SR2590	25.0	90	250	0.90	0.5	
SR25100	25.0	100	250	0.90	0.5	
SR25150	25.0	150	250	1.00	0.5	



30 Ampere / TO-220AB / TO-220AC

SR3020	30.0	20	300	0.80	0.5	TO-220AB / AC
SR3030	30.0	30	300	0.80	0.5	
SR3040	30.0	40	300	0.80	0.5	
SR3050	30.0	50	300	0.85	0.5	
SR3060	30.0	60	300	0.85	0.5	
SR3090	30.0	90	300	0.90	0.5	
SR30100	30.0	100	300	0.90	0.5	
SR30150	30.0	150	300	1.00	0.5	



**Surface Mount Schottky Barrier Rectifiers**

TYPE	Marking Code	$I_{F(AV)}$	$V_{RRM}$	$I_{FSM}$	$V_{FM@I_{F(AV)}}$	$I_{RM} @ V_{RRM}$	Case Style
		A	V	A	V	$T_A=25^{\circ}C$ mA	

**1.0 Ampere / SOD-123FL**

DSK12	K12	1.0	20	25	0.50	0.5	SOD-123FL
DSK13	K13	1.0	30	25	0.55	0.5	
DSK14	K14	1.0	40	25	0.55	0.5	
DSK15	K15	1.0	50	25	0.70	0.5	
DSK16	K16	1.0	60	25	0.70	0.5	
DSK18	K18	1.0	80	25	0.85	0.5	
DSK110	K110	1.0	100	25	0.85	0.5	
DSK115	K115	1.0	150	25	0.95	0.5	



SOD-123FL

**1.0 Ampere LOW VF / SOD-123FL**

DSL12	L12	1.0	20	25	0.40	0.5	SOD-123FL
DSL13	L13	1.0	30	25	0.40	0.5	
DSL14	L14	1.0	40	25	0.40	0.5	



SOD-123FL

**2.0 Ampere / SOD-123FL**

DSK22	K22	2.0	20	40	0.50	0.5	SOD-123FL
DSK23	K23	2.0	30	40	0.55	0.5	
DSK24	K24	2.0	40	40	0.55	0.5	
DSK25	K25	2.0	50	40	0.70	0.5	
DSK26	K26	2.0	60	40	0.70	0.5	
DSK28	K28	2.0	80	40	0.85	0.5	
DSK210	K210	2.0	100	40	0.85	0.5	
DSK215	K215	2.0	150	40	0.95	0.5	



SOD-123FL

**2.0 Ampere LOW VF / SOD-123FL**

DSL22	L22	2.0	20	40	0.40	0.5	SOD-123FL
DSL23	L23	2.0	30	40	0.40	0.5	
DSL24	L24	2.0	40	40	0.40	0.5	



SOD-123FL

**1.0 Ampere / MSMA**

MASK12	K12	1.0	20	30	0.50	0.5	MSMA (SMAF)
MASK13	K13	1.0	30	30	0.55	0.5	
MASK14	K14	1.0	40	30	0.55	0.5	
MASK15	K15	1.0	50	30	0.70	0.5	
MASK16	K16	1.0	60	30	0.70	0.5	
MASK18	K18	1.0	80	30	0.85	0.5	
MASK110	K110	1.0	100	30	0.85	0.5	


 MSMA  
(SMAF)

**1.0 Ampere LOW VF / MSMA**

MASL12	L12	1.0	20	30	0.40	0.5	MSMA (SMAF)
MASL13	L13	1.0	30	30	0.40	0.5	
MASL14	L14	1.0	40	30	0.40	0.5	


 MSMA  
(SMAF)

## Surface Mount Schottky Barrier Rectifiers

TYPE	Marking Code	$I_{F(AV)}$	$V_{RRM}$	$I_{FSM}$	$V_{FM@I_{F(AV)}}$	$I_{RM} @ V_{RRM}$	Case Style
		A	V	A	V	$T_A=25^{\circ}C$ mA	

### 2.0 Ampere / MSMA

MASK22	K22	2.0	20	50	0.50	0.5	MSMA (SMAF)
MASK23	K23	2.0	30	50	0.55	0.5	
MASK24	K24	2.0	40	50	0.55	0.5	
MASK25	K25	2.0	50	50	0.70	0.5	
MASK26	K26	2.0	60	50	0.70	0.5	
MASK28	K28	2.0	80	50	0.85	0.5	
MASK210	K210	2.0	100	50	0.85	0.5	



MSMA (SMAF)

### 2.0 Ampere LOW VF / MSMA

MASL22	L22	2.0	20	50	0.40	0.5	MSMA (SMAF)
MASL23	L23	2.0	30	50	0.40	0.5	
MASL24	L24	2.0	40	50	0.40	0.5	



MSMA (SMAF)

### 3.0 Ampere / MSMA

MASK32	K32	3.0	20	75	0.50	0.5	MSMA (SMAF)
MASK33	K33	3.0	30	75	0.55	0.5	
MASK34	K34	3.0	40	75	0.55	0.5	
MASK35	K35	3.0	50	75	0.70	0.5	
MASK36	K36	3.0	60	75	0.70	0.5	
MASK38	K38	3.0	80	75	0.85	0.5	
MASK310	K310	3.0	100	75	0.85	0.5	



MSMA (SMAF)

### 3.0 Ampere LOW VF / MSMA

MASL32	L32	3.0	20	75	0.40	0.5	MSMA (SMAF)
MASL33	L33	3.0	30	75	0.40	0.5	
MASL34	L34	3.0	40	75	0.40	0.5	



MSMA (SMAF)

### 1.0 Ampere / SMA

SS12	-	1.0	20	40	0.50	0.2	SMA
SS13	-	1.0	30	40	0.55	0.2	
SS14	-	1.0	40	40	0.55	0.2	
SS15	-	1.0	50	40	0.70	0.2	
SS16	-	1.0	60	40	0.70	0.2	
SS18	-	1.0	80	40	0.85	0.2	
SS110	-	1.0	100	40	0.85	0.2	
SS115	-	1.0	150	40	0.95	0.2	
SS120	-	1.0	200	40	0.95	0.2	



SMA

### 1.0 Ampere LOW VF / SMA

SL12	-	1.0	20	40	0.40	0.2	SMA
SL13	-	1.0	30	40	0.40	0.2	
SL14	-	1.0	40	40	0.40	0.2	
SL16	-	1.0	60	40	0.65	0.2	



SMA

## Surface Mount Schottky Barrier Rectifiers

TYPE	$I_{F(AV)}$	$V_{RRM}$	$I_{FSM}$	$V_{FM@I_{F(AV)}}$	$I_{RM} @ V_{RRM}$	Case Style
	A	V	A	V	$T_A=25^{\circ}C$ mA	

### 2.0 Ampere / SMA

SS22	2.0	20	50	0.50	0.5	SMA
SS23	2.0	30	50	0.55	0.5	
SS24	2.0	40	50	0.55	0.5	
SS25	2.0	50	50	0.70	0.5	
SS26	2.0	60	50	0.70	0.5	
SS28	2.0	80	50	0.85	0.5	
SS210	2.0	100	50	0.85	0.5	
SS215	2.0	150	50	0.95	0.5	
SS220	2.0	200	50	0.95	0.5	



SMA

### 2.0 Ampere LOW VF / SMA

SL22	2.0	20	50	0.40	0.2	SMA
SL23	2.0	30	50	0.40	0.2	
SL24	2.0	40	50	0.40	0.2	
SL26	2.0	60	50	0.65	0.2	



SMA

### 3.0 Ampere / SMA

SS32	3.0	20	100	0.50	0.5	SMA
SS33	3.0	30	100	0.55	0.5	
SS34	3.0	40	100	0.55	0.5	
SS35	3.0	50	100	0.70	0.5	
SS36	3.0	60	100	0.70	0.5	
SS38	3.0	80	100	0.85	0.5	
SS310	3.0	100	100	0.85	0.5	
SS315	3.0	150	100	0.95	0.5	
SS320	3.0	200	100	0.95	0.5	



SMA

### 3.0 Ampere LOW VF / SMA

SL32	3.0	20	100	0.40	0.2	SMA
SL33	3.0	30	100	0.40	0.2	
SL34	3.0	40	100	0.40	0.2	
SL36	3.0	60	100	0.65	0.2	



SMA

### 1.0 Ampere / SMB

SK12	1.0	20	40	0.50	0.5	SMB
SK13	1.0	30	40	0.55	0.5	
SK14	1.0	40	40	0.55	0.5	
SK15	1.0	50	40	0.70	0.5	
SK16	1.0	60	40	0.70	0.5	
SK18	1.0	80	40	0.85	0.5	
SK110	1.0	100	40	0.85	0.5	
SK115	1.0	150	40	0.95	0.5	
SK120	1.0	200	40	0.95	0.5	



SMB

## Surface Mount Schottky Barrier Rectifiers

TYPE	$I_{F(AV)}$	$V_{RRM}$	$I_{FSM}$	$V_{FM@I_{F(AV)}}$	$I_{RM} @ V_{RRM}$	Case Style
	A	V	A	V	$T_A=25^\circ C$ mA	

### 2.0 Ampere / SMB

SK22	2.0	20	50	0.50	0.5	SMB
SK23	2.0	30	50	0.55	0.5	
SK24	2.0	40	50	0.55	0.5	
SK25	2.0	50	50	0.70	0.5	
SK26	2.0	60	50	0.70	0.5	
SK28	2.0	80	50	0.85	0.5	
SK210	2.0	100	50	0.85	0.5	
SK215	2.0	150	50	0.95	0.5	
SK220	2.0	200	50	0.95	0.5	



SMB

### 3.0 Ampere / SMB

SK32/SMB	3.0	20	100	0.50	0.5	SMB
SK33/SMB	3.0	30	100	0.55	0.5	
SK34/SMB	3.0	40	100	0.55	0.5	
SK35/SMB	3.0	50	100	0.70	0.5	
SK36/SMB	3.0	60	100	0.70	0.5	
SK38/SMB	3.0	80	100	0.85	0.5	
SK310/SMB	3.0	100	100	0.85	0.5	
SK315/SMB	3.0	150	100	0.95	0.5	
SK320/SMB	3.0	200	100	0.95	0.5	



SMB

### 4.0 Ampere / SMB

SK42/SMB	4.0	20	100	0.50	0.5	SMB
SK43/SMB	4.0	30	100	0.55	0.5	
SK44/SMB	4.0	40	100	0.55	0.5	
SK45/SMB	4.0	50	100	0.70	0.5	
SK46/SMB	4.0	60	100	0.70	0.5	
SK48/SMB	4.0	80	100	0.85	0.5	
SK410/SMB	4.0	100	100	0.85	0.5	
SK415/SMB	4.0	150	100	0.95	0.5	
SK420/SMB	4.0	200	100	0.95	0.5	



SMB

### 5.0 Ampere / SMB

SK52/SMB	5.0	20	150	0.50	0.5	SMB
SK53/SMB	5.0	30	150	0.55	0.5	
SK54/SMB	5.0	40	150	0.55	0.5	
SK55/SMB	5.0	50	150	0.70	0.5	
SK56/SMB	5.0	60	150	0.70	0.5	
SK58/SMB	5.0	80	150	0.85	0.5	
SK510/SMB	5.0	100	150	0.85	0.5	
SK515/SMB	5.0	150	150	0.95	0.5	
SK520/SMB	5.0	200	150	0.95	0.5	



SMB

**Surface Mount Schottky Barrier Rectifiers**

TYPE	$I_{F(AV)}$	$V_{RRM}$	$I_{FSM}$	$V_{FM@I_{F(AV)}}$	$I_{RM} @ V_{RRM}$	Case Style
	A	V	A	V	$T_A=25^{\circ}C$ mA	

**3.0 Ampere / SMC**

SK32	3.0	20	100	0.50	0.5	SMC
SK33	3.0	30	100	0.55	0.5	
SK34	3.0	40	100	0.55	0.5	
SK35	3.0	50	100	0.70	0.5	
SK36	3.0	60	100	0.70	0.5	
SK38	3.0	80	100	0.85	0.5	
SK310	3.0	100	100	0.85	0.5	
SK315	3.0	150	100	0.95	0.5	
SK320	3.0	200	100	0.95	0.5	


**4.0 Ampere / SMC**

SK42	4.0	20	100	0.50	0.5	SMC
SK43	4.0	30	100	0.55	0.5	
SK44	4.0	40	100	0.55	0.5	
SK45	4.0	50	100	0.70	0.5	
SK46	4.0	60	100	0.70	0.5	
SK48	4.0	80	100	0.85	0.5	
SK410	4.0	100	100	0.85	0.5	
SK415	4.0	150	100	0.95	0.5	
SK420	4.0	200	100	0.95	0.5	


**5.0 Ampere / SMC**

SK52	5.0	20	150	0.50	0.5	SMC
SK53	5.0	30	150	0.55	0.5	
SK54	5.0	40	150	0.55	0.5	
SK55	5.0	50	150	0.70	0.5	
SK56	5.0	60	150	0.70	0.5	
SK58	5.0	80	150	0.85	0.5	
SK510	5.0	100	150	0.85	0.5	
SK515	5.0	150	150	0.95	0.5	
SK520	5.0	200	150	0.95	0.5	


**8.0 Ampere / SMC**

SK82	8.0	20	200	0.50	1.0	SMC
SK83	8.0	30	200	0.55	1.0	
SK84	8.0	40	200	0.55	1.0	
SK85	8.0	50	200	0.70	1.0	
SK86	8.0	60	200	0.70	1.0	
SK88	8.0	80	200	0.85	1.0	
SK810	8.0	100	200	0.85	1.0	
SK815	8.0	150	200	0.95	1.0	
SK820	8.0	200	200	0.95	1.0	





## Surface Mount Schottky Barrier Rectifiers

TYPE	$I_{F(AV)}$	$V_{RRM}$	$I_{FSM}$	$V_{FM@I_{F(AV)}}$	$I_{RM} @ V_{RRM}$	Case Style
	A	V	A	V	$T_A=25^{\circ}C$ mA	

### 5.0 Ampere/TO-277

SR0545	5.0	45	100	0.55	0.5	TO-277
SR0560	5.0	60	100	0.70	0.5	
SR0580	5.0	80	100	0.85	0.5	
SR05100	5.0	100	100	0.85	0.5	
SR05150	5.0	150	100	0.95	0.5	
SR05200	5.0	200	100	0.95	0.5	

### 10.0 Ampere/TO277

SB1045	10.0	45	200	0.55	0.5	TO-277
SB1060	10.0	60	200	0.70	0.5	
SB1080	10.0	80	200	0.85	0.5	
SB10100	10.0	100	200	0.85	0.5	
SB10150	10.0	150	200	0.95	0.5	
SB10200	10.0	200	200	0.95	0.5	



TO-277

### 15.0 Ampere/SMC

SL1545	15.0	45	275	0.55	0.5	TO-277
SL1560	15.0	60	275	0.70	0.5	
SL1580	15.0	80	275	0.85	0.5	
SL15100	15.0	100	275	0.85	0.5	
SL15150	15.0	150	275	0.95	0.5	
SL15200	15.0	200	275	0.95	0.5	

### 20.0 Ampere/SMC

SL2045	8.0	20	300	0.50	0.5	TO-277
SL2060	8.0	30	300	0.70	0.5	
SL2080	8.0	40	300	0.85	0.5	
SL20100	8.0	50	300	0.85	0.5	
SL20150	8.0	60	300	0.95	0.5	
SL20200	8.0	80	300	0.95	0.5	

**400W Transient Voltage Suppressor  
P4KE Series / DO - 41**

TYPE	$V_{(BR)}$			$V_{WM}$	$I_D$	$I_{PPM}$	$V_C$	$\alpha V_{(BR)}$
	V		@ $I_T$					
	Min	Max	mA	V	@ $V_{WM}$ $\mu A$	A	@ $I_{PPM}$ V	%/°C
P4KE6.8	6.12	7.48	10	5.50	1000	37.0	10.8	0.057
P4KE6.8A	6.45	7.14	10	5.80	1000	38.1	10.5	0.057
P4KE7.5	6.75	8.25	10	6.05	500	34.2	11.7	0.061
P4KE7.5A	7.13	7.88	10	6.40	500	35.4	11.3	0.061
P4KE8.2	7.38	9.02	10	6.63	200	32.0	12.5	0.065
P4KE8.2A	7.79	8.61	10	7.02	200	33.1	12.1	0.06
P4KE9.1	8.19	10.0	1.0	7.37	50	29.0	13.8	0.068
P4KE9.1A	8.65	9.55	1.0	7.78	50	29.9	13.4	0.068
P4KE10	9.00	11.0	1.0	8.10	10	26.7	15.0	0.073
P4KE10A	9.50	10.5	1.0	8.55	10	27.6	14.5	0.073
P4KE11	9.90	12.1	1.0	8.92	5.0	24.7	16.2	0.075
P4KE11A	10.5	11.6	1.0	9.40	5.0	25.6	15.6	0.075
P4KE12	10.8	13.2	1.0	9.72	1.0	23.1	17.3	0.076
P4KE12A	11.4	12.6	1.0	10.2	1.0	24.0	16.7	0.078
P4KE13	11.7	14.3	1.0	10.5	1.0	21.1	19.0	0.081
P4KE13A	12.4	13.7	1.0	11.1	1.0	22.0	18.2	0.081
P4KE15	13.5	16.5	1.0	12.1	1.0	18.2	22.0	0.084
P4KE15A	14.3	15.8	1.0	12.8	1.0	18.9	21.2	0.084
P4KE16	14.4	17.6	1.0	12.9	1.0	17.0	23.5	0.086
P4KE16A	15.2	16.8	1.0	13.6	1.0	17.8	22.5	0.086
P4KE18	16.2	19.8	1.0	14.5	1.0	15.1	26.5	0.088
P4KE18A	17.1	18.9	1.0	15.3	1.0	15.9	25.2	0.088
P4KE20	18.0	22.0	1.0	16.2	1.0	13.7	29.1	0.090
P4KE20A	19.0	21.0	1.0	17.1	1.0	14.4	27.7	0.090
P4KE22	19.8	24.2	1.0	17.8	1.0	12.5	31.9	0.092
P4KE22A	20.9	23.1	1.0	18.8	1.0	13.1	30.6	0.092
P4KE24	21.6	26.4	1.0	19.4	1.0	11.5	34.7	0.094
P4KE24A	22.8	25.2	1.0	20.5	1.0	12.0	33.2	0.094
P4KE27	24.3	29.7	1.0	21.8	1.0	10.2	39.1	0.096
P4KE27A	25.7	28.4	1.0	23.1	1.0	10.7	37.5	0.096
P4KE30	27.0	33.0	1.0	24.3	1.0	9.2	43.5	0.097
P4KE30A	28.5	31.5	1.0	25.6	1.0	9.7	41.4	0.097
P4KE33	29.7	36.3	1.0	26.8	1.0	8.4	47.7	0.098
P4KE33A	31.4	34.7	1.0	28.2	1.0	8.8	45.7	0.098
P4KE36	32.4	39.6	1.0	29.1	1.0	7.7	52.0	0.099
P4KE36A	34.2	37.8	1.0	30.8	1.0	8.0	49.9	0.099
P4KE39	35.1	42.9	1.0	31.6	1.0	7.1	56.4	0.100
P4KE39A	37.1	41.0	1.0	33.3	1.0	7.4	53.9	0.100
P4KE43	38.7	47.3	1.0	34.8	1.0	6.5	61.9	0.101
P4KE43A	40.9	45.2	1.0	36.8	1.0	6.7	59.3	0.101
P4KE47	42.3	51.7	1.0	38.1	1.0	5.9	67.8	0.101
P4KE47A	44.7	49.4	1.0	40.2	1.0	6.2	64.8	0.101
P4KE51	45.9	56.1	1.0	41.3	1.0	5.4	73.5	0.102
P4KE51A	48.5	53.6	1.0	43.6	1.0	5.7	70.1	0.102



DO-41

**Notes:**

- (1) For bi-directional devices, use suffix C or CA (e.g. P4KE10C, P4KE220CA). Electrical characteristics apply in both directions.
- (2)  $I_T$  pulse test:  $t_p \leq 50ms$ .
- (3) Surge current waveform 10 / 1000  $\mu S$ .
- (4) For bidirectional types with  $V_{WM}$  of 10 volts and less, the  $I_D$  limit is doubled.

## 400W Transient Voltage Suppressor P4KE Series / DO - 41

TYPE	$V_{(BR)}$			$V_{WM}$	$I_D$	$I_{PPM}$	$V_C$	$\alpha V_{(BR)}$
	V		@ $I_T$					
	Min	Max	mA	$\mu A$	A	V	%/°C	
P4KE56	50.4	61.6	1.0	45.4	1.0	5.0	80.5	0.103
P4KE56A	53.2	58.8	1.0	47.8	1.0	5.2	77.0	0.103
P4KE62	55.8	68.2	1.0	50.2	1.0	4.5	89.0	0.104
P4KE62A	58.9	65.1	1.0	53.0	1.0	4.7	85.0	0.104
P4KE68	61.2	74.8	1.0	55.1	1.0	4.1	98.0	0.104
P4KE68A	64.6	71.4	1.0	58.1	1.0	4.3	92.0	0.104
P4KE75	67.5	82.5	1.0	60.7	1.0	3.7	108	0.105
P4KE75A	71.3	78.8	1.0	64.1	1.0	3.9	103	0.105
P4KE82	73.8	90.2	1.0	66.4	1.0	3.4	118	0.105
P4KE82A	77.9	86.1	1.0	70.1	1.0	3.5	113	0.105
P4KE91	81.9	100	1.0	73.7	1.0	3.1	131	0.106
P4KE91A	86.5	95.5	1.0	77.8	1.0	3.2	125	0.106
P4KE100	90.0	110	1.0	81.0	1.0	2.8	144	0.106
P4KE100A	95.0	105	1.0	85.5	1.0	2.9	137	0.106
P4KE110	99.0	121	1.0	89.2	1.0	2.5	158	0.107
P4KE110A	105	116	1.0	94.0	1.0	2.6	152	0.107
P4KE120	108	132	1.0	97.2	1.0	2.3	173	0.107
P4KE120A	114	126	1.0	102	1.0	2.4	165	0.107
P4KE130	117	143	1.0	105	1.0	2.1	187	0.107
P4KE130A	124	137	1.0	111	1.0	2.2	179	0.107
P4KE150	135	165	1.0	121	1.0	1.9	215	0.108
P4KE150A	143	158	1.0	128	1.0	1.9	207	0.108
P4KE160	144	176	1.0	130	1.0	1.7	230	0.108
P4KE160A	152	168	1.0	136	1.0	1.8	219	0.108
P4KE170	153	187	1.0	138	1.0	1.6	244	0.108
P4KE170A	162	179	1.0	145	1.0	1.7	234	0.108
P4KE180	162	198	1.0	146	1.0	1.6	258	0.108
P4KE180A	171	189	1.0	154	1.0	1.6	246	0.108
P4KE200	180	220	1.0	162	1.0	1.4	287	0.108
P4KE200A	190	210	1.0	171	1.0	1.5	274	0.108
P4KE220	198	242	1.0	175	1.0	1.2	344	0.108
P4KE220A	209	231	1.0	185	1.0	1.2	328	0.108
P4KE250	225	275	1.0	202	1.0	1.1	360	0.110
P4KE250A	237	263	1.0	214	1.0	1.2	344	0.110
P4KE300	270	330	1.0	243	1.0	0.93	430	0.110
P4KE300A	285	315	1.0	256	1.0	1.0	414	0.110
P4KE350	315	385	1.0	284	1.0	0.79	504	0.110
P4KE350A	333	368	1.0	300	1.0	0.83	482	0.110
P4KE400	360	440	1.0	324	1.0	0.70	574	0.110
P4KE400A	380	420	1.0	342	1.0	0.73	548	0.110
P4KE440	396	484	1.0	356	1.0	0.63	631	0.110
P4KE440A	418	462	1.0	376	1.0	0.66	602	0.110



DO-41

**Notes:**

- (1) For bi-directional devices, use suffix C or CA (e.g. P4KE10C, P4KE220CA).  
Electrical characteristics apply in both directions.
- (2)  $I_T$  pulse test:  $t_p \leq 50ms$ .
- (3) Surge current waveform 10 / 1000  $\mu S$ .
- (4) For bidirectional types with  $V_{WM}$  of 10 volts and less, the  $I_D$  limit is doubled.

**600W Transient Voltage Suppressor  
P6KE Series / DO - 15**

TYPE	$V_{(BR)}$			$V_{WM}$	$I_D$	$I_{PPM}$	$V_C$	$\alpha V_{(BR)}$
	V		@ $I_T$					
	Min	Max	mA	V	@ $V_{WM}$ $\mu A$	A	@ $I_{PPM}$ V	%/°C
P6KE6.8	6.12	7.48	10	5.50	1000	55.6	10.8	0.057
P6KE6.8A	6.45	7.14	10	5.80	1000	57.1	10.5	0.057
P6KE7.5	6.75	8.25	10	6.05	500	51.3	11.7	0.061
P6KE7.5A	7.13	7.88	10	6.40	500	53.1	11.3	0.061
P6KE8.2	7.38	9.02	10	6.63	200	48.0	12.5	0.065
P6KE8.2A	7.79	8.61	10	7.02	200	49.6	12.1	0.065
P6KE9.1	8.19	10.00	1.0	7.37	50	43.5	13.8	0.068
P6KE9.1A	8.65	9.55	1.0	7.78	50	44.8	13.4	0.068
P6KE10	9.0	11.0	1.0	8.10	10	40.0	15.0	0.073
P6KE10A	9.5	10.5	1.0	8.55	10	41.4	14.5	0.073
P6KE11	9.9	12.1	1.0	8.92	5.0	37.0	16.2	0.075
P6KE11A	10.5	11.6	1.0	9.40	5.0	38.5	15.6	0.075
P6KE12	10.8	13.2	1.0	9.72	5.0	34.7	17.3	0.078
P6KE12A	11.4	12.6	1.0	10.2	5.0	35.9	16.7	0.078
P6KE13	11.7	14.3	1.0	10.5	5.0	31.6	19.0	0.081
P6KE13A	12.4	13.7	1.0	11.1	5.0	33.0	18.2	0.081
P6KE15	13.5	16.5	1.0	12.1	1.0	27.3	22.0	0.084
P6KE15A	14.3	15.8	1.0	12.8	1.0	28.3	21.2	0.084
P6KE16	14.4	17.6	1.0	12.9	1.0	25.5	23.5	0.086
P6KE16A	15.2	16.8	1.0	13.6	1.0	26.7	22.5	0.086
P6KE18	16.2	19.8	1.0	14.5	1.0	22.6	26.5	0.088
P6KE18A	17.1	18.9	1.0	15.3	1.0	23.8	25.2	0.088
P6KE20	18.0	22.0	1.0	16.2	1.0	20.6	29.1	0.090
P6KE20A	19.0	21.0	1.0	17.1	1.0	21.7	27.7	0.090
P6KE22	19.8	24.2	1.0	17.8	1.0	18.8	31.9	0.092
P6KE22A	20.9	23.1	1.0	18.8	1.0	19.6	30.6	0.092
P6KE24	21.6	26.4	1.0	19.4	1.0	17.3	34.7	0.094
P6KE24A	22.8	25.2	1.0	20.5	1.0	18.1	33.2	0.094
P6KE27	24.3	29.7	1.0	21.8	1.0	15.3	39.1	0.096
P6KE27A	25.7	28.4	1.0	23.1	1.0	16.0	37.5	0.096
P6KE30	27.0	33.0	1.0	24.3	1.0	13.8	43.5	0.097
P6KE30A	28.5	31.5	1.0	25.6	1.0	14.5	41.4	0.097
P6KE33	29.7	36.3	1.0	26.8	1.0	12.6	47.7	0.098
P6KE33A	31.4	34.7	1.0	28.2	1.0	13.1	45.7	0.098
P6KE36	32.4	39.6	1.0	29.1	1.0	11.5	52.0	0.099
P6KE36A	34.2	37.8	1.0	30.8	1.0	12.0	49.9	0.099
P6KE39	35.1	42.9	1.0	31.6	1.0	10.6	56.4	0.100
P6KE39A	37.1	41.0	1.0	33.3	1.0	11.1	53.9	0.100
P6KE43	38.7	47.3	1.0	34.8	1.0	9.7	61.9	0.101
P6KE43A	40.9	45.2	1.0	36.8	1.0	10.1	59.3	0.101
P6KE47	42.3	51.7	1.0	38.1	1.0	8.8	67.8	0.101
P6KE47A	44.7	49.4	1.0	40.2	1.0	9.3	64.8	0.101
P6KE51	45.9	56.1	1.0	41.3	1.0	8.2	73.5	0.102
P6KE51A	48.5	53.6	1.0	43.6	1.0	8.6	70.1	0.102

**Notes:**

- (1) For bi-directional devices, use suffix C or CA (e.g. P6KE10C, P6KE220CA).  
Electrical characteristics apply in both directions.
- (2)  $I_T$  pulse test:  $t_p \leq 50ms$ .
- (3) Surge current waveform 10/1000 $\mu s$ .
- (4) For bidirectional types with  $V_{WM}$  of 10 volts and less, the  $I_D$  limit is doubled.



DO-15

## 600W Transient Voltage Suppressor P6KE Series / DO - 15

TYPE	$V_{(BR)}$			$V_{WM}$ V	$I_D$ @ $V_{WM}$ $\mu A$	$I_{PPM}$ A	$V_C$ @ $I_{PPM}$ V	$\alpha V_{(BR)}$ %/°C
	V		@ $I_T$					
	Min	Max	mA					
P6KE56	50.4	61.6	1.0	45.4	1.0	7.5	80.5	0.103
P6KE56A	53.2	58.8	1.0	47.8	1.0	7.8	77.0	0.103
P6KE62	55.8	68.2	1.0	50.2	1.0	6.7	89.0	0.104
P6KE62A	58.9	65.1	1.0	53.0	1.0	7.1	85.0	0.104
P6KE68	61.2	74.8	1.0	55.1	1.0	6.1	98.0	0.104
P6KE68A	64.6	71.4	1.0	58.1	1.0	6.5	92.0	0.104
P6KE75	67.5	82.5	1.0	60.7	1.0	5.6	108	0.105
P6KE75A	71.3	78.8	1.0	64.1	1.0	5.8	103	0.105
P6KE82	73.8	90.2	1.0	66.4	1.0	5.1	118	0.105
P6KE82A	77.9	86.1	1.0	70.1	1.0	5.3	113	0.105
P6KE91	81.9	100.0	1.0	73.7	1.0	4.6	131	0.106
P6KE91A	86.5	95.5	1.0	77.8	1.0	4.8	125	0.106
P6KE100	90	110	1.0	81.0	1.0	4.2	144	0.106
P6KE100A	95	105	1.0	85.5	1.0	4.4	137	0.106
P6KE110	99	121	1.0	89.2	1.0	3.8	158	0.107
P6KE110A	105	116	1.0	94.0	1.0	3.9	152	0.107
P6KE120	108	132	1.0	97.2	1.0	3.5	173	0.107
P6KE120A	114	126	1.0	102	1.0	3.6	165	0.107
P6KE130	117	143	1.0	105	1.0	3.2	187	0.107
P6KE130A	124	137	1.0	111	1.0	3.4	179	0.107
P6KE150	135	165	1.0	121	1.0	2.8	215	0.108
P6KE150A	143	158	1.0	128	1.0	2.9	207	0.108
P6KE160	144	176	1.0	130	1.0	2.6	230	0.108
P6KE160A	152	168	1.0	136	1.0	2.7	219	0.108
P6KE170	153	187	1.0	138	1.0	2.5	244	0.108
P6KE170A	162	179	1.0	145	1.0	2.6	234	0.108
P6KE180	162	198	1.0	146	1.0	2.3	258	0.108
P6KE180A	171	189	1.0	154	1.0	2.4	246	0.108
P6KE200	180	220	1.0	162	1.0	2.1	287	0.108
P6KE200A	190	210	1.0	171	1.0	2.2	274	0.108
P6KE220	198	242	1.0	175	1.0	1.7	344	0.108
P6KE220A	209	231	1.0	185	1.0	1.8	328	0.108
P6KE250	225	275	1.0	202	1.0	1.7	360	0.110
P6KE250A	237	263	1.0	214	1.0	1.7	344	0.110
P6KE300	270	330	1.0	243	1.0	1.4	430	0.110
P6KE300A	285	315	1.0	256	1.0	1.4	414	0.110
P6KE350	315	385	1.0	284	1.0	1.2	504	0.110
P6KE350A	333	368	1.0	300	1.0	1.2	482	0.110
P6KE400	360	440	1.0	324	1.0	1.0	574	0.110
P6KE400A	380	420	1.0	342	1.0	1.1	548	0.110
P6KE440	396	484	1.0	356	1.0	0.95	631	0.110
P6KE440A	418	462	1.0	376	1.0	1.0	602	0.110

### Notes:

- (1) For bi-directional devices, use suffix C or CA (e.g. P6KE10C, P6KE220CA).  
Electrical characteristics apply in both directions.
- (2)  $I_T$  pulse test:  $t_p \leq 50ms$ .
- (3) Surge current waveform 10 / 1000  $\mu S$ .
- (4) For bidirectional types with  $V_{WM}$  of 10 volts and less, the  $I_D$  limit is doubled.



DO-15

**1500W Transient Voltage Suppressor  
1.5KE Series / DO-27**

TYPE	$V_{(BR)}$		$@I_T$	$V_{WM}$	$I_D$	$I_{PPM}$	$V_C$	$\alpha V_{(BR)}$
	V			V	$@V_{WM}$	A	$@I_{PPM}$	% / °C
	Min	Max	mA		$\mu A$		V	
1.5KE6.8	6.12	7.48	10	5.50	1000	139	10.8	0.057
1.5KE6.8A	6.45	7.14	10	5.80	1000	143	10.5	0.057
1.5KE7.5	6.75	8.25	10	6.05	500	128	11.7	0.061
1.5KE7.5A	7.13	7.88	10	6.40	500	133	11.3	0.061
1.5KE8.2	7.38	9.02	10	6.63	200	120	12.5	0.065
1.5KE8.2A	7.79	8.61	10	7.02	200	124	12.1	0.065
1.5KE9.1	8.19	10.00	1.0	7.37	50	109	13.8	0.068
1.5KE9.1A	8.65	9.55	1.0	7.78	50	112	13.4	0.068
1.5KE10	9.0	11.0	1.0	8.10	10	100	15.0	0.073
1.5KE10A	9.5	10.5	1.0	8.55	10	103	14.5	0.073
1.5KE11	9.9	12.1	1.0	8.92	5.0	92.6	16.2	0.075
1.5KE11A	10.5	11.6	1.0	9.40	5.0	96.2	15.6	0.075
1.5KE12	10.8	13.2	1.0	9.72	5.0	86.7	17.3	0.076
1.5KE12A	11.4	12.6	1.0	10.2	5.0	89.8	16.7	0.078
1.5KE13	11.7	14.3	1.0	10.5	5.0	78.9	19.0	0.081
1.5KE13A	12.4	13.7	1.0	11.1	5.0	82.4	18.2	0.081
1.5KE15	13.5	16.5	1.0	12.1	1.0	68.2	22.0	0.084
1.5KE15A	14.3	15.8	1.0	12.8	1.0	70.8	21.2	0.084
1.5KE16	14.4	17.6	1.0	12.9	1.0	63.8	23.5	0.086
1.5KE16A	15.2	16.8	1.0	13.6	1.0	66.7	22.5	0.086
1.5KE18	16.2	19.8	1.0	14.5	1.0	56.6	26.5	0.088
1.5KE18A	17.1	18.9	1.0	15.3	1.0	59.5	25.2	0.089
1.5KE20	18.0	22.0	1.0	16.2	1.0	51.5	29.1	0.090
1.5KE20A	19.0	21.0	1.0	17.1	1.0	54.2	27.7	0.090
1.5KE22	19.8	24.2	1.0	17.8	1.0	47.0	31.9	0.092
1.5KE22A	20.9	23.1	1.0	18.8	1.0	49.0	30.6	0.092
1.5KE24	21.6	26.4	1.0	19.4	1.0	43.2	34.7	0.094
1.5KE24A	22.8	25.2	1.0	20.5	1.0	45.2	33.2	0.094
1.5KE27	24.3	29.7	1.0	21.8	1.0	38.4	39.1	0.096
1.5KE27A	25.7	28.4	1.0	23.1	1.0	40.0	37.5	0.096
1.5KE30	27.0	33.0	1.0	24.3	1.0	34.5	43.5	0.097
1.5KE30A	28.5	31.5	1.0	25.6	1.0	36.2	41.4	0.097
1.5KE33	29.7	36.3	1.0	26.8	1.0	31.4	47.7	0.098
1.5KE33A	31.4	34.7	1.0	28.2	1.0	32.8	45.7	0.098
1.5KE36	32.4	39.6	1.0	29.1	1.0	28.8	52.0	0.099
1.5KE36A	34.2	37.8	1.0	30.8	1.0	30.1	49.9	0.099
1.5KE39	35.1	42.9	1.0	31.6	1.0	26.6	56.4	0.100
1.5KE39A	37.1	41.0	1.0	33.3	1.0	27.8	53.9	0.100
1.5KE43	38.7	47.3	1.0	34.8	1.0	24.2	61.9	0.101
1.5KE43A	40.9	45.2	1.0	36.8	1.0	25.3	59.3	0.101
1.5KE47	42.3	51.7	1.0	38.1	1.0	22.1	67.8	0.101
1.5KE47A	44.7	49.4	1.0	40.2	1.0	23.1	64.8	0.101
1.5KE51	45.9	56.1	1.0	41.3	1.0	20.4	73.5	0.102
1.5KE51A	48.5	53.6	1.0	43.6	1.0	21.4	70.1	0.102



DO-27

**Notes:**

- (1) For bi-directional devices, use suffix C or CA (e.g. 1.5KE10C, 1.5KE220CA).  
Electrical characteristics apply in both directions.
- (2)  $I_T$  pulse test:  $t_p \leq 50ms$ .
- (3) Surge current waveform 10 / 1000  $\mu S$ .
- (4) For bidirectional types with  $V_{WM}$  of 10 volts and less, the  $I_D$  limit is doubled.

## 1500W Transient Voltage Suppressor 1.5KE Series / DO-27

TYPE	$V_{(BR)}$		$I_T$	$V_{WM}$	$I_D$	$I_{PPM}$	$V_C$	$\alpha V_{(BR)}$
	V							
	Min	Max			$\mu A$		V	
1.5KE56	50.4	61.8	1.0	45.4	1.0	18.6	80.5	0.103
1.5KE56A	53.2	58.8	1.0	47.8	1.0	19.5	77.0	0.103
1.5KE62	55.8	68.2	1.0	50.2	1.0	16.9	89.0	0.104
1.5KE62A	58.9	65.1	1.0	53.0	1.0	17.6	85.0	0.104
1.5KE68	61.2	74.8	1.0	55.1	1.0	15.3	98.0	0.104
1.5KE68A	64.6	71.4	1.0	58.1	1.0	16.3	92.0	0.104
1.5KE75	67.5	82.5	1.0	60.7	1.0	13.9	109	0.105
1.5KE75A	71.3	78.8	1.0	64.1	1.0	14.6	104	0.105
1.5KE82	73.8	90.2	1.0	66.4	1.0	12.7	118	0.105
1.5KE82A	77.9	86.1	1.0	70.1	1.0	13.3	113	0.105
1.5KE91	81.9	100.0	1.0	73.7	1.0	11.5	131	0.106
1.5KE91A	86.5	95.5	1.0	77.8	1.0	12.0	125	0.106
1.5KE100	90	110	1.0	81.0	1.0	10.4	144	0.106
1.5KE100A	95	105	1.0	85.5	1.0	10.9	137	0.106
1.5KE110	99	121	1.0	89.2	1.0	9.5	158	0.107
1.5KE110A	105	116	1.0	94.0	1.0	9.9	152	0.107
1.5KE120	108	132	1.0	97.2	1.0	8.7	173	0.107
1.5KE120A	114	126	1.0	102	1.0	9.1	165	0.107
1.5KE130	117	143	1.0	105	1.0	8.0	187	0.107
1.5KE130A	124	137	1.0	111	1.0	8.4	179	0.107
1.5KE150	136	165	1.0	121	1.0	7.0	215	0.108
1.5KE150A	143	158	1.0	128	1.0	7.2	207	0.108
1.5KE160	144	176	1.0	130	1.0	6.5	230	0.108
1.5KE160A	152	168	1.0	136	1.0	6.8	219	0.108
1.5KE170	153	187	1.0	138	1.0	6.1	244	0.108
1.5KE170A	162	179	1.0	145	1.0	6.4	234	0.108
1.5KE180	162	198	1.0	146	1.0	5.8	258	0.108
1.5KE180A	171	189	1.0	154	1.0	6.1	246	0.108
1.5KE200	180	220	1.0	162	1.0	5.2	287	0.108
1.5KE200A	190	210	1.0	171	1.0	5.5	274	0.108
1.5KE220	198	242	1.0	175	1.0	4.4	344	0.108
1.5KE220A	209	231	1.0	185	1.0	4.6	328	0.108
1.5KE250	225	275	1.0	202	1.0	4.2	360	0.110
1.5KE250A	237	263	1.0	214	1.0	4.4	344	0.110
1.5KE300	270	330	1.0	243	1.0	3.5	430	0.110
1.5KE300A	285	315	1.0	256	1.0	3.6	414	0.110
1.5KE350	315	385	1.0	284	1.0	3.0	504	0.110
1.5KE350A	333	368	1.0	300	1.0	3.1	482	0.110
1.5KE400	360	440	1.0	324	1.0	2.6	574	0.110
1.5KE400A	380	420	1.0	342	1.0	2.7	548	0.110
1.5KE440	396	484	1.0	356	1.0	2.4	631	0.110
1.5KE440A	418	462	1.0	376	1.0	2.5	602	0.110

### Notes:

- (1) For bi-directional devices, use suffix C or CA (e.g. 1.5KE10C, 1.5KE220CA).  
Electrical characteristics apply in both directions.
- (2)  $I_T$  pulse test:  $t_p \leq 50ms$ .
- (3) Surge current waveform 10 / 1000  $\mu S$ .
- (4) For bidirectional types with  $V_{WM}$  of 10 volts and less, the  $I_D$  limit is doubled.



DO-27



**5000W Transient Voltage Suppressor**  
**5KP5.0~5KP110A / R-6**

TYPE	$V_{(BR)}$		$@I_T$	$V_{WM}$	$I_D$	$I_{PPM}$	$V_C$	$\alpha V_{(BR)}$
	V							
	Min	Max						
5KP5.0	6.40	7.30	50	5.0	2000	521	9.6	0.057
5KP5.0A	6.40	7.00	50	5.0	2000	543	9.2	0.057
5KP6.0	6.67	8.15	50	6.0	5000	439	11.4	0.061
5KP6.0A	6.67	7.37	50	6.0	5000	485	10.3	0.061
5KP6.5	7.22	8.82	50	6.5	2000	407	12.3	0.065
5KP6.5A	7.22	7.98	50	6.5	2000	446	11.2	0.065
5KP7.0	7.78	9.51	50	7.0	1000	376	13.3	0.068
5KP7.0A	7.78	8.60	50	7.0	1000	417	12.0	0.068
5KP7.5	8.33	10.20	5	7.5	250	350	14.3	0.073
5KP7.5A	8.33	9.21	5	7.5	250	388	12.9	0.073
5KP8.0	8.89	10.9	5	8.0	150	333	15.0	0.075
5KP8.0A	8.89	9.83	5	8.0	150	368	13.6	0.075
5KP8.5	9.44	11.5	5	8.5	50	314	15.9	0.078
5KP8.5A	9.44	10.4	5	8.5	50	347	14.4	0.078
5KP9.0	10.0	12.2	5	9.0	20	296	16.9	0.081
5KP9.0A	10.0	11.1	5	9.0	20	325	15.4	0.081
5KP10	11.1	13.6	5	10	15	266	18.8	0.084
5KP10A	11.1	12.3	5	10	15	294	17.0	0.084
5KP11	12.2	14.9	5	11	10	249	20.1	0.086
5KP11A	12.2	13.5	5	11	10	275	18.2	0.086
5KP12	13.3	16.3	5	12	10	227	22.0	0.088
5KP12A	13.3	14.7	5	12	10	251	19.9	0.088
5KP13	14.4	17.6	5	13	10	210	23.8	0.090
5KP13A	14.4	15.9	5	13	10	233	21.5	0.090
5KP14	15.6	19.1	5	14	10	194	25.8	0.092
5KP14A	15.6	17.2	5	14	10	216	23.2	0.092
5KP15	16.7	20.4	5	15	10	186	26.9	0.094
5KP15A	16.7	18.5	5	15	10	205	24.4	0.094
5KP16	17.8	21.8	5	16	10	174	28.8	0.096
5KP16A	17.8	19.7	5	16	10	192	26.0	0.096
5KP17	18.9	23.1	5	17	10	164	30.5	0.097
5KP17A	18.9	20.9	5	17	10	181	27.6	0.097
5KP18	20.0	24.4	5	18	10	155	32.2	0.098
5KP18A	20.0	22.1	5	18	10	171	29.2	0.098
5KP20	22.2	27.1	5	20	10	140	35.8	0.099
5KP20A	22.2	24.5	5	20	10	154	32.4	0.099
5KP22	24.4	29.8	5	22	10	127	39.4	0.100
5KP22A	24.4	26.9	5	22	10	141	35.5	0.100
5KP24	26.7	32.6	5	24	10	116	43.0	0.101
5KP24A	26.7	29.5	5	24	10	129	38.9	0.101
5KP26	28.9	35.3	5	26	10	107	46.6	0.101
5KP26A	28.9	31.9	5	26	10	119	42.1	0.101
5KP28	31.1	38.0	5	28	10	100	50.1	0.102
5KP28A	31.1	34.4	5	28	10	110	45.4	0.102

**Notes:**

- (1) For bi-directional devices, use suffix C or CA (e.g. 5KP10C,5KP110CA).  
Electrical characteristics apply in both directions.
- (2)  $V_{(BR)}$  measured after  $I_T$  applied for  $300\mu S$   $I_T$  = square wave pulse or equivalent
- (3) Surge current waveform 10/1000uS.
- (4) For bidirectional types with  $V_{WM}$  of 10 volts and less, the  $I_D$  limit is doubled.



R-6



## 5000W Transient Voltage Suppressor 5KP5.0~5KP110A / R-6

TYPE	V <sub>(BR)</sub>		@I <sub>T</sub>	V <sub>WM</sub>	I <sub>D</sub>	I <sub>PPM</sub>	V <sub>C</sub>	αV <sub>(BR)</sub>
	V							
	Min	Max	μA	A	V	%/°C		
5KP30	33.3	40.7	5	30	10	93.5	53.5	0.103
5KP30A	33.3	36.8	5	30	10	103.0	48.4	0.103
5KP33	36.7	44.9	5	33	10	84.7	59.0	0.104
5KP33A	36.7	40.6	5	33	10	93.8	53.3	0.104
5KP36	40.0	48.9	5	36	10	77.8	64.3	0.104
5KP36A	40.0	44.2	5	36	10	86.1	58.1	0.104
5KP40	44.4	54.3	5	40	10	70.0	71.4	0.105
5KP40A	44.4	49.1	5	40	10	77.5	64.5	0.105
5KP43	47.8	58.4	5	43	10	65.2	76.7	0.105
5KP43A	47.8	52.8	5	43	10	72.0	69.4	0.105
5KP45	50.0	61.1	5	45	10	62.3	80.3	0.106
5KP45A	50.0	55.3	5	45	10	68.8	72.7	0.106
5KP48	53.3	65.2	5	48	10	58.5	85.5	0.106
5KP48A	53.3	58.9	5	48	10	64.6	77.4	0.106
5KP51	56.1	69.3	5	51	10	54.9	91.1	0.107
5KP51A	56.7	62.7	5	51	10	60.7	82.4	0.107
5KP54	60.0	73.3	5	54	10	51.9	96.3	0.107
5KP54A	60.0	66.3	5	54	10	57.4	87.1	0.107
5KP58	64.4	78.7	5	58	10	48.5	103	0.107
5KP58A	64.4	71.2	5	58	10	53.4	94	0.107
5KP60	66.7	81.5	5	60	10	46.7	107	0.108
5KP60A	66.7	73.7	5	60	10	51.7	97	0.108
5KP64	71.1	96.9	5	64	10	43.9	114	0.108
5KP64A	71.1	78.6	5	64	10	48.5	103	0.108
5KP70	77.6	95.1	5	70	10	40.0	125	0.108
5KP70A	77.8	86	5	70	10	44.2	113	0.108
5KP75	83.3	102	5	75	10	37.3	134	0.108
5KP75A	83.3	92.1	5	75	10	41.3	121	0.108
5KP78	86.7	106	5	78	10	36.0	139	0.108
5KP78A	86.7	95.8	5	78	10	39.7	126	0.108
5KP85	94.4	115	5	85	10	33.1	151	0.108
5KP85A	94.4	104	5	85	10	36.5	137	0.110
5KP90	100	122	5	90	10	31.3	160	0.110
5KP90A	100	111	5	90	10	34.2	146	0.110
5KP100	111	136	5	100	10	27.9	179	0.110
5KP100A	111	123	5	100	10	30.9	162	0.110
5KP110	122	149	5	110	10	25.5	196	0.112
5KP110A	122	135	5	110	10	28.2	177	0.112



R-6

### Notes:

- (1) For bi-directional devices, use suffix C or CA (e.g. 5KP10C, 5KP110CA).  
Electrical characteristics apply in both directions.
- (2) V<sub>(BR)</sub> measured after I<sub>T</sub> applied for 300μS I<sub>T</sub> = square wave pulse or equivalent
- (3) Surge current waveform 10/1000uS.
- (4) For bidirectional types with V<sub>WM</sub> of 10 volts and less, the I<sub>D</sub> limit is doubled.

**200W Surface Mount Transient Voltage Suppressor**  
**SMF5.0A~SMF170A / SOD-123FL**

TYPE	Marking Code UNI	$V_{(BR)}$			$V_{WM}$	$I_D$	$I_{PPM}$	$V_C$
		V		@ $I_T$				
		Min	Max	mA	V	@ $V_{WM}$ $\mu A$	A	@ $I_{PPM}$ V
SMF5.0A	KE	6.40	7.00	10	5.0	400	21.7	9.2
SMF6.0A	KG	6.67	7.37	10	6.0	400	19.4	10.3
SMF6.5A	KK	7.22	7.98	10	6.5	250	17.9	11.2
SMF7.0A	KM	7.78	8.60	10	7.0	100	16.7	12.0
SMF7.5A	KP	8.33	9.21	1.0	7.5	50	15.5	12.9
SMF8.0A	KR	8.89	9.83	1.0	8.0	25	14.7	13.6
SMF8.5A	KT	9.44	10.4	1.0	8.5	10	13.9	14.4
SMF9.0A	KV	10.0	11.1	1.0	9.0	5.0	13	15.4
SMF10A	KX	11.1	12.3	1.0	10	2.5	11.8	17.0
SMF11A	KZ	12.2	13.5	1.0	11	2.5	11	18.2
SMF12A	LE	13.3	14.7	1.0	12	2.5	10.1	19.9
SMF13A	LG	14.4	15.9	1.0	13	1.0	9.3	21.5
SMF14A	LK	15.6	17.2	1.0	14	1.0	8.6	23.2
SMF15A	LM	16.7	18.5	1.0	15	1.0	8.2	24.4
SMF16A	LP	17.8	19.7	1.0	16	1.0	7.7	26.0
SMF17A	LR	18.9	20.9	1.0	17	1.0	7.2	27.6
SMF18A	LT	20.0	22.1	1.0	18	1.0	6.8	29.2
SMF20A	LV	22.2	24.5	1.0	20	1.0	6.2	32.4
SMF22A	LX	24.4	26.9	1.0	22	1.0	5.6	35.5
SMF24A	LZ	26.7	29.5	1.0	24	1.0	5.1	38.9
SMF26A	ME	28.9	31.9	1.0	26	1.0	4.8	42.1
SMF28A	MG	31.1	34.4	1.0	28	1.0	4.4	45.4
SMF30A	MK	33.3	36.8	1.0	30	1.0	4.1	48.4
SMF33A	MM	36.7	40.6	1.0	33	1.0	3.8	53.3
SMF36A	MP	40.0	44.2	1.0	36	1.0	3.4	58.1
SMF40A	MR	44.4	49.1	1.0	40	1.0	3.1	64.5
SMF43A	MT	47.8	52.8	1.0	43	1.0	2.9	69.4
SMF45A	MV	50.0	55.3	1.0	45	1.0	2.8	72.7
SMF48A	MX	53.3	58.9	1.0	48	1.0	2.6	77.4
SMF51A	MZ	56.7	62.7	1.0	51	1.0	2.4	82.4
SMF54A	NE	60.0	66.3	1.0	54	1.0	2.3	87.1
SMF58A	NG	64.4	71.2	1.0	58	1.0	2.2	93.6
SMF60A	NK	66.7	73.7	1.0	60	1.0	2.1	96.8
SMF64A	NM	71.1	78.6	1.0	64	1.0	2.0	103
SMF70A	NP	77.8	86.0	1.0	70	1.0	1.8	113
SMF75A	NR	83.3	92.1	1.0	75	1.0	1.7	121
SMF78A	NT	86.7	95.8	1.0	78	1.0	1.6	126
SMF85A	NV	94.4	104	1.0	85	1.0	1.5	137
SMF90A	NX	100	111	1.0	90	1.0	1.4	146
SMF100A	NZ	111	123	1.0	100	1.0	1.3	162
SMF110A	PE	122	135	1.0	110	1.0	1.2	177
SMF120A	PG	133	147	1.0	120	1.0	1.0	193
SMF130A	PK	144	159	1.0	130	1.0	1.0	209
SMF150A	PM	167	185	1.0	150	1.0	0.8	243
SMF160A	PP	178	197	1.0	160	1.0	0.8	259
SMF170A	PR	189	209	1.0	170	1.0	0.7	275

**Notes:**

 Surge current waveform 10 / 1000  $\mu S$ .


SOD-123FL

## 400W Surface Mount Transient Voltage Suppressor SMAJ5.0~SMAJ188CA / SMA

TYPE	Device		V <sub>(BR)</sub>			V <sub>WM</sub>	I <sub>D</sub>	I <sub>PPM</sub>	V <sub>C</sub>
	Marking Code		V		@I <sub>T</sub>	V	@V <sub>WM</sub>	A	@I <sub>PPM</sub>
	UNI	BI	Min	Max	mA		μA		V
SMAJ5.0	AD	WD	6.40	7.82	10	5.0	800	41.7	9.6
SMAJ5.0A	AE	WE	6.40	7.07	10	5.0	800	43.5	9.2
SMAJ6.0	AF	WF	6.67	8.15	10	6.0	800	35.1	11.4
SMAJ6.0A	AG	WG	6.67	7.37	10	6.0	800	38.8	10.3
SMAJ6.5	AH	WH	7.22	8.82	10	6.5	500	32.5	12.3
SMAJ6.5A	AK	WK	7.22	7.98	10	6.5	500	35.7	11.2
SMAJ7.0	AL	WL	7.78	9.51	10	7.0	200	30.1	13.3
SMAJ7.0A	AM	WM	7.78	8.60	10	7.0	200	33.3	12.0
SMAJ7.5	AN	WN	8.33	10.2	1.0	7.5	100	28.0	14.3
SMAJ7.5A	AP	WP	8.33	9.21	1.0	7.5	100	31.0	12.9
SMAJ8.0	AQ	WQ	8.89	10.9	1.0	8.0	50	26.7	15.0
SMAJ8.0A	AR	WR	8.89	9.83	1.0	8.0	50	29.4	13.6
SMAJ8.5	AS	WS	9.44	11.5	1.0	8.5	10	25.2	15.9
SMAJ8.5A	AT	WT	9.44	10.4	1.0	8.5	10	27.8	14.4
SMAJ9.0	AU	WU	10.0	12.2	1.0	9.0	5.0	23.7	16.9
SMAJ9.0A	AV	WV	10.0	11.1	1.0	9.0	5.0	26.0	15.4
SMAJ10	AW	WW	11.1	13.6	1.0	10	1.0	21.3	18.8
SMAJ10A	AX	WX	11.1	12.3	1.0	10	1.0	23.5	17.0
SMAJ11	AY	WY	12.2	14.9	1.0	11	1.0	19.9	20.1
SMAJ11A	AZ	WZ	12.2	13.5	1.0	11	1.0	22.0	18.2
SMAJ12	BD	XD	13.3	16.3	1.0	12	1.0	18.2	22.0
SMAJ12A	BE	XE	13.3	14.7	1.0	12	1.0	20.1	19.9
SMAJ13	BF	XF	14.4	17.6	1.0	13	1.0	16.8	23.8
SMAJ13A	BG	XG	14.4	15.9	1.0	13	1.0	18.6	21.5
SMAJ14	BH	XH	15.6	19.1	1.0	14	1.0	15.5	25.8
SMAJ14A	BK	XK	15.6	17.2	1.0	14	1.0	17.2	23.2
SMAJ15	BL	XL	16.7	20.4	1.0	15	1.0	14.9	26.9
SMAJ15A	BM	XM	16.7	18.5	1.0	15	1.0	16.4	24.4
SMAJ16	BN	XN	17.8	21.8	1.0	16	1.0	13.9	28.8
SMAJ16A	BP	XP	17.8	19.7	1.0	16	1.0	15.4	26.0
SMAJ17	BQ	XQ	18.9	23.1	1.0	17	1.0	13.1	30.5
SMAJ17A	BR	XR	18.9	20.9	1.0	17	1.0	14.5	27.6
SMAJ18	BS	XS	20.0	24.4	1.0	18	1.0	12.4	32.2
SMAJ18A	BT	XT	20.0	22.1	1.0	18	1.0	13.7	29.2
SMAJ20	BU	XU	22.2	27.1	1.0	20	1.0	11.2	35.8
SMAJ20A	BV	XV	22.2	24.5	1.0	20	1.0	12.3	32.4
SMAJ22	BW	XW	24.4	29.8	1.0	22	1.0	10.2	39.4
SMAJ22A	BX	XX	24.4	26.9	1.0	22	1.0	11.3	35.5
SMAJ24	BY	XY	26.7	32.6	1.0	24	1.0	9.3	43.0
SMAJ24A	BZ	XZ	26.7	29.5	1.0	24	1.0	10.3	38.9
SMAJ26	CD	YD	28.9	35.3	1.0	26	1.0	8.6	46.6
SMAJ26A	CE	YE	28.9	31.9	1.0	26	1.0	9.5	42.1
SMAJ28	CF	YF	31.1	38.0	1.0	28	1.0	8.0	50.0
SMAJ28A	CG	YG	31.1	34.4	1.0	28	1.0	8.8	45.4
SMAJ30	CH	YH	33.3	40.7	1.0	30	1.0	7.5	53.5
SMAJ30A	CK	YK	33.3	36.8	1.0	30	1.0	8.3	48.4
SMAJ33	CL	YL	36.7	44.9	1.0	33	1.0	6.8	59.0
SMAJ33A	CM	YM	36.7	40.6	1.0	33	1.0	7.5	53.3

### Notes:

- (1) For bi-directional devices, use suffix C or CA (e.g. SMAJ10C, SMAJ10CA).  
Electrical characteristics apply in both directions.
- (2) I<sub>T</sub> pulse test: t<sub>p</sub> ≤ 50ms.
- (3) Surge current waveform 10 / 1000 μs.
- (4) For bidirectional types with V<sub>WM</sub> of 10 volts and less, the I<sub>D</sub> limit is doubled.



SMA

**400W Surface Mount Transient Voltage Suppressor  
SMAJ5.0~SMAJ188CA / SMA**

TYPE	Device Marking Code		V <sub>(BR)</sub>			V <sub>WM</sub>	I <sub>D</sub>	I <sub>PPM</sub>	V <sub>C</sub>
	UNI	BI	V		@I <sub>T</sub>	V	@V <sub>WM</sub>	A	V <sub>C</sub>
			Min	Max	mA		μA		V
SMAJ36	CN	YN	40.0	48.9	1.0	36	1.0	6.2	64.3
SMAJ36A	CP	YP	40.0	44.2	1.0	36	1.0	6.9	58.1
SMAJ40	CQ	YQ	44.4	54.3	1.0	40	1.0	5.6	71.4
SMAJ40A	CR	YR	44.4	49.1	1.0	40	1.0	6.2	64.5
SMAJ43	CS	YS	47.8	58.4	1.0	43	1.0	5.2	76.7
SMAJ43A	CT	YT	47.8	52.8	1.0	43	1.0	5.8	69.4
SMAJ45	CU	YU	50.0	61.1	1.0	45	1.0	5.0	80.3
SMAJ45A	CV	YV	50.0	55.3	1.0	45	1.0	5.5	72.7
SMAJ48	CW	YW	53.3	65.1	1.0	48	1.0	4.7	85.5
SMAJ48A	CX	YX	53.3	58.9	1.0	48	1.0	5.2	77.4
SMAJ51	CY	YY	56.7	69.3	1.0	51	1.0	4.4	91.1
SMAJ51A	CZ	YZ	56.7	62.7	1.0	51	1.0	4.9	82.4
SMAJ54	RD	ZD	60.0	73.3	1.0	54	1.0	4.2	96.3
SMAJ54A	RE	ZE	60.0	66.3	1.0	54	1.0	4.6	87.1
SMAJ58	RF	ZF	64.4	78.7	1.0	58	1.0	3.9	103
SMAJ58A	RG	ZG	64.4	71.2	1.0	58	1.0	4.3	93.6
SMAJ60	RH	ZH	66.7	81.5	1.0	60	1.0	3.7	107
SMAJ60A	RK	ZK	66.7	73.7	1.0	60	1.0	4.1	96.8
SMAJ64	RL	ZL	71.1	86.9	1.0	64	1.0	3.5	114
SMAJ64A	RM	ZM	71.1	78.6	1.0	64	1.0	3.9	103
SMAJ70	RN	ZN	77.8	95.1	1.0	70	1.0	3.2	125
SMAJ70A	RP	ZP	77.8	86.0	1.0	70	1.0	3.5	113
SMAJ75	RQ	ZQ	83.3	102	1.0	75	1.0	3.0	134
SMAJ75A	RR	ZR	83.3	92.1	1.0	75	1.0	3.3	121
SMAJ78	RS	ZS	86.7	106	1.0	78	1.0	2.9	139
SMAJ78A	RT	ZT	86.7	95.8	1.0	78	1.0	3.2	126
SMAJ85	RU	ZU	94.4	115	1.0	85	1.0	2.6	151
SMAJ85A	RV	ZV	94.4	104	1.0	85	1.0	2.9	137
SMAJ90	RW	ZW	100	122	1.0	90	1.0	2.5	160
SMAJ90A	RX	ZX	100	111	1.0	90	1.0	2.7	146
SMAJ100	RY	ZY	111	136	1.0	100	1.0	2.2	179
SMAJ100A	RZ	ZZ	111	123	1.0	100	1.0	2.5	162
SMAJ110	SD	VD	122	149	1.0	110	1.0	2.0	196
SMAJ110A	SE	VE	122	135	1.0	110	1.0	2.3	177
SMAJ120	SF	VF	133	163	1.0	120	1.0	1.9	214
SMAJ120A	SG	VG	133	147	1.0	120	1.0	2.0	193
SMAJ130	SH	VH	144	176	1.0	130	1.0	1.7	231
SMAJ130A	SK	VK	144	159	1.0	130	1.0	1.9	209
SMAJ150	SL	VL	167	204	1.0	150	1.0	1.5	268
SMAJ150A	SM	VM	167	185	1.0	150	1.0	1.6	243
SMAJ160	SN	VN	178	218	1.0	160	1.0	1.4	287
SMAJ160A	SP	VP	178	197	1.0	160	1.0	1.5	259
SMAJ170	SQ	VQ	189	231	1.0	170	1.0	1.3	304
SMAJ170A	SR	VR	189	209	1.0	170	1.0	1.4	275
SMAJ188	SS	VS	209	255	1.0	188	1.0	1.1	344
SMAJ188A	ST	VT	209	231	1.0	188	1.0	1.2	328

**Notes:**

- (1) For bi-directional devices, use suffix C or CA (e.g. SMAJ10C , SMAJ10CA).  
Electrical characteristics apply in both directions.
- (2) I<sub>T</sub> pulse test: tp ≤ 50ms.
- (3) Surge current waveform 10 / 1000 μS.
- (4) For bidirectional types with V<sub>WM</sub> of 10 volts and less, the I<sub>D</sub> limit is doubled.



## 600W Surface Mount Transient Voltage Suppressor SMBJ5.0~SMBJ188CA / SMB

TYPE	Device Marking Code		V <sub>(BR)</sub>			V <sub>WM</sub>	I <sub>D</sub>	I <sub>PPM</sub>	V <sub>C</sub>
			V		@I <sub>T</sub>				
	UNI	BI	Min	Max	mA	V	@V <sub>WM</sub> μA	A	@I <sub>PPM</sub> V
SMBJ5.0	KD	AD	6.40	7.82	10	5.0	800	62.5	9.6
SMBJ5.0A	KE	AE	6.40	7.07	10	5.0	800	65.2	9.2
SMBJ6.0	KF	AF	6.67	8.15	10	6.0	800	52.6	11.4
SMBJ6.0A	KG	AG	6.67	7.37	10	6.0	800	58.3	10.3
SMBJ6.5	KH	AH	7.22	8.82	10	6.5	500	48.8	12.3
SMBJ6.5A	KK	AK	7.22	7.98	10	6.5	500	53.6	11.2
SMBJ7.0	KL	AL	7.78	9.51	10	7.0	200	45.1	13.3
SMBJ7.0A	KM	AM	7.78	8.60	10	7.0	200	50.0	12.0
SMBJ7.5	KN	AN	8.33	10.2	1.0	7.5	100	42.0	14.3
SMBJ7.5A	KP	AP	8.33	9.21	1.0	7.5	100	46.5	12.9
SMBJ8.0	KQ	AQ	8.89	10.9	1.0	8.0	50	40.0	15.0
SMBJ8.0A	KR	AR	8.89	9.83	1.0	8.0	50	44.1	13.6
SMBJ8.5	KS	AS	9.44	11.5	1.0	8.5	20	37.7	15.9
SMBJ8.5A	KT	AT	9.44	10.4	1.0	8.5	20	41.7	14.4
SMBJ9.0	KU	AU	10.0	12.2	1.0	9.0	10	35.5	16.9
SMBJ9.0A	KV	AV	10.0	11.1	1.0	9.0	10	39.0	15.4
SMBJ10	KW	AW	11.1	13.6	1.0	10	5.0	31.9	18.8
SMBJ10A	KX	AX	11.1	12.3	1.0	10	5.0	35.3	17.0
SMBJ11	KY	AY	12.2	14.9	1.0	11	5.0	29.9	20.1
SMBJ11A	KZ	AZ	12.2	13.5	1.0	11	5.0	33.0	18.2
SMBJ12	LD	BD	13.3	16.3	1.0	12	5.0	27.3	22.0
SMBJ12A	LE	BE	13.3	14.7	1.0	12	5.0	30.2	19.9
SMBJ13	LF	BF	14.4	17.6	1.0	13	1.0	25.2	23.8
SMBJ13A	LG	BG	14.4	15.9	1.0	13	1.0	27.9	21.5
SMBJ14	LH	BH	15.6	19.1	1.0	14	1.0	23.3	25.8
SMBJ14A	LK	BK	15.6	17.2	1.0	14	1.0	25.9	23.2
SMBJ15	LL	BL	16.7	20.4	1.0	15	1.0	22.3	26.9
SMBJ15A	LM	BM	16.7	18.5	1.0	15	1.0	24.6	24.4
SMBJ16	LN	BN	17.8	21.8	1.0	16	1.0	20.8	28.8
SMBJ16A	LP	BM	17.8	19.7	1.0	16	1.0	23.1	26.0
SMBJ17	LQ	BQ	18.9	23.1	1.0	17	1.0	19.7	30.5
SMBJ17A	LR	BR	18.9	20.9	1.0	17	1.0	21.7	27.6
SMBJ18	LS	BS	20.0	24.4	1.0	18	1.0	18.6	32.2
SMBJ18A	LT	BT	20.0	22.1	1.0	18	1.0	20.5	29.2
SMBJ20	LU	BU	22.2	27.1	1.0	20	1.0	16.8	35.8
SMBJ20A	LV	BV	22.2	24.5	1.0	20	1.0	18.5	32.4
SMBJ22	LW	BW	24.4	29.8	1.0	22	1.0	15.2	39.4
SMBJ22A	LX	BX	24.4	26.9	1.0	22	1.0	16.9	35.5
SMBJ24	LY	BY	26.7	32.6	1.0	24	1.0	14.0	43.0
SMBJ24A	LZ	BZ	26.7	29.5	1.0	24	1.0	15.4	38.9
SMBJ26	MD	CD	28.9	35.3	1.0	26	1.0	12.9	46.6
SMBJ26A	ME	CE	28.9	31.9	1.0	26	1.0	14.3	42.1
SMBJ28	MF	CF	31.1	38.0	1.0	28	1.0	12.0	50.0
SMBJ28A	MG	CG	31.1	34.4	1.0	28	1.0	13.2	45.4
SMBJ30	MH	CH	33.3	40.7	1.0	30	1.0	11.2	53.5
SMBJ30A	MK	CK	33.3	36.8	1.0	30	1.0	12.4	48.4
SMBJ33	ML	CL	36.7	44.9	1.0	33	1.0	10.2	59.0
SMBJ33A	MM	CM	36.7	40.6	1.0	33	1.0	11.3	53.3



SMB

**Notes:**

- (1) For bi-directional devices, use suffix C or CA (e.g. SMBJ10C , SMBJ10CA).  
Electrical characteristics apply in both directions.
- (2) I<sub>T</sub> pulse test: tp≦50ms.
- (3) Surge current waveform 10 / 1000 μS.
- (4) For bidirectional types with V<sub>WM</sub> of 10 volts and less, the I<sub>D</sub> limit is doubled.

**600W Surface Mount Transient Voltage Suppressor  
SMBJ5.0~SMBJ188CA / SMB**

TYPE	Device Marking Code		V <sub>(BR)</sub>			V <sub>WM</sub>	I <sub>D</sub>	I <sub>PPM</sub>	V <sub>C</sub>
			V		@I <sub>T</sub>				
	UNI	BI	Min	Max	mA	V	@V <sub>WM</sub> μA	A	@I <sub>PPM</sub> V
SMBJ36	MN	CN	40.0	48.9	1.0	36	1.0	9.3	64.3
SMBJ36A	MP	CP	40.0	44.2	1.0	36	1.0	10.3	58.1
SMBJ40	MQ	CQ	44.4	54.3	1.0	40	1.0	8.4	71.4
SMBJ40A	MR	CR	44.4	49.1	1.0	40	1.0	9.3	64.5
SMBJ43	MS	CS	47.8	58.4	1.0	43	1.0	7.8	76.7
SMBJ43A	MT	CT	47.8	52.8	1.0	43	1.0	8.6	69.4
SMBJ45	MU	CU	50.0	61.1	1.0	45	1.0	7.5	80.3
SMBJ45A	MV	CV	50.0	55.3	1.0	45	1.0	8.3	72.7
SMBJ48	MW	CW	53.3	65.1	1.0	48	1.0	7.0	85.5
SMBJ48A	MX	CX	53.3	58.9	1.0	48	1.0	7.8	77.4
SMBJ51	MY	CY	56.7	69.3	1.0	51	1.0	6.6	91.1
SMBJ51A	MZ	CZ	56.7	62.7	1.0	51	1.0	7.3	82.4
SMBJ54	ND	DD	60.0	73.3	1.0	54	1.0	6.2	96.3
SMBJ54A	NE	DE	60.0	66.3	1.0	54	1.0	6.9	87.1
SMBJ58	NF	DF	64.4	78.7	1.0	58	1.0	5.8	103
SMBJ58A	NG	DG	64.4	71.2	1.0	58	1.0	6.4	93.6
SMBJ60	NH	DH	66.7	81.5	1.0	60	1.0	5.6	107
SMBJ60A	NK	DK	66.7	73.7	1.0	60	1.0	6.2	96.8
SMBJ64	NL	DL	71.1	86.9	1.0	64	1.0	5.3	114
SMBJ64A	NM	DM	71.1	78.6	1.0	64	1.0	5.8	103
SMBJ70	NN	DN	77.8	95.1	1.0	70	1.0	4.8	125
SMBJ70A	NP	DP	77.8	86.0	1.0	70	1.0	5.3	113
SMBJ75	NQ	DQ	83.3	102	1.0	75	1.0	4.5	134
SMBJ75A	NR	DR	83.3	92.1	1.0	75	1.0	5.0	121
SMBJ78	NS	DS	86.7	106	1.0	78	1.0	4.3	139
SMBJ78A	NT	DT	86.7	95.8	1.0	78	1.0	4.8	126
SMBJ85	NU	DU	94.4	115	1.0	85	1.0	4.0	151
SMBJ85A	NV	DV	94.4	104	1.0	85	1.0	4.4	137
SMBJ90	NW	DW	100	122	1.0	90	1.0	3.8	160
SMBJ90A	NX	DX	100	111	1.0	90	1.0	4.1	146
SMBJ100	NY	DY	111	136	1.0	100	1.0	3.4	179
SMBJ100A	NZ	DZ	111	123	1.0	100	1.0	3.7	162
SMBJ110	PD	ED	122	149	1.0	110	1.0	3.1	196
SMBJ110A	PE	EE	122	135	1.0	110	1.0	3.4	177
SMBJ120	PF	EF	133	163	1.0	120	1.0	2.8	214
SMBJ120A	PG	EG	133	147	1.0	120	1.0	3.1	193
SMBJ130	PH	EH	144	176	1.0	130	1.0	2.6	231
SMBJ130A	PK	EK	144	159	1.0	130	1.0	2.9	209
SMBJ150	PL	EL	167	204	1.0	150	1.0	2.2	268
SMBJ150A	PM	EM	167	185	1.0	150	1.0	2.5	243
SMBJ160	PN	EN	178	218	1.0	160	1.0	2.1	287
SMBJ160A	PP	EP	178	197	1.0	160	1.0	2.3	259
SMBJ170	PQ	EQ	189	231	1.0	170	1.0	2.0	304
SMBJ170A	PR	ER	189	209	1.0	170	1.0	2.2	275
SMBJ188	PS	ES	209	255	1.0	188	1.0	1.7	344
SMBJ188A	PT	ET	209	231	1.0	188	1.0	1.8	328



SMB

**Notes:**

- (1) For bi-directional devices, use suffix C or CA (e.g. SMBJ10C , SMBJ10CA).  
Electrical characteristics apply in both directions.
- (2) I<sub>T</sub> pulse test: t<sub>p</sub> ≤ 50ms.
- (3) Surge current waveform 10 / 1000 μS.
- (4) For bidirectional types with V<sub>WM</sub> of 10 volts and less, the I<sub>D</sub> limit is doubled.

## 1500W Surface Mount Transient Voltage Suppressor SMCJ5.0~SMCJ188CA / SMC

TYPE	Device Marking Code		V <sub>(BR)</sub>			V <sub>WM</sub>	I <sub>D</sub>	I <sub>PPM</sub>	V <sub>C</sub>
			V		@I <sub>T</sub>				
	UNI	BI	Min	Max	mA	V	@V <sub>WM</sub> μA	A	@I <sub>PPM</sub> V
SMCJ5.0	GDD	BDD	6.40	7.82	10.0	5.0	1000	156.3	9.6
SMCJ5.0A	GDE	BDE	6.40	7.07	10.0	5.0	1000	163.0	9.2
SMCJ6.0	GDF	BDF	6.67	8.15	10.0	6.0	1000	131.6	11.4
SMCJ6.0A	GDG	BDG	6.67	7.37	10.0	6.0	1000	145.6	10.3
SMCJ6.5	GDH	BDH	7.22	8.82	10.0	6.5	500	122.0	12.3
SMCJ6.5A	GDK	BDK	7.22	7.98	10.0	6.5	500	133.9	11.2
SMCJ7.0	GDL	BDL	7.78	9.51	10.0	7.0	200	112.8	13.3
SMCJ7.0A	GDM	BDM	7.78	8.60	10.0	7.0	200	125.0	12.0
SMCJ7.5	GDN	BDN	8.33	10.2	1.0	7.5	100	104.9	14.3
SMCJ7.5A	GDP	BDP	8.33	9.21	1.0	7.5	100	116.3	12.9
SMCJ8.0	GDQ	BDQ	8.89	10.9	1.0	8.0	50	100.0	15.0
SMCJ8.0A	GDR	BDR	8.89	9.83	1.0	8.0	50	110.3	13.6
SMCJ8.5	GDS	BDS	9.44	11.5	1.0	8.5	20	94.3	15.9
SMCJ8.5A	GDT	BDT	9.44	10.4	1.0	8.5	20	104.2	14.4
SMCJ9.0	GDU	BDU	10.0	12.2	1.0	9.0	10	88.8	16.9
SMCJ9.0A	GDV	BDV	10.0	11.1	1.0	9.0	10	97.4	15.4
SMCJ10	GDW	BDW	11.1	13.6	1.0	10	5.0	79.8	18.8
SMCJ10A	GDX	BDX	11.1	12.3	1.0	10	5.0	88.2	17.0
SMCJ11	GDY	BDY	12.2	14.9	1.0	11	5.0	74.6	20.1
SMCJ11A	GDZ	BDZ	12.2	13.5	1.0	11	5.0	82.4	18.2
SMCJ12	GED	BED	13.3	16.3	1.0	12	5.0	68.2	22.0
SMCJ12A	GEE	BEE	13.3	14.7	1.0	12	5.0	75.4	19.9
SMCJ13	GEF	BEF	14.4	17.6	1.0	13	1.0	63.0	23.8
SMCJ13A	GEG	BEG	14.4	15.9	1.0	13	1.0	69.8	21.5
SMCJ14	GEH	BEH	15.6	19.1	1.0	14	1.0	58.1	25.8
SMCJ14A	GEK	BEK	15.6	17.2	1.0	14	1.0	64.7	23.2
SMCJ15	GEL	BEL	16.7	20.4	1.0	15	1.0	55.8	26.9
SMCJ15A	GEM	BEM	16.7	18.5	1.0	15	1.0	61.5	24.4
SMCJ16	GEN	BEN	17.8	21.8	1.0	16	1.0	52.1	28.8
SMCJ16A	GEP	BEP	17.8	19.7	1.0	16	1.0	57.7	26.0
SMCJ17	GEQ	BEQ	18.9	23.1	1.0	17	1.0	49.2	30.5
SMCJ17A	GER	BER	18.9	20.9	1.0	17	1.0	54.3	27.6
SMCJ18	GES	BES	20.0	24.4	1.0	18	1.0	46.6	32.2
SMCJ18A	GET	BET	20.0	22.1	1.0	18	1.0	51.4	29.2
SMCJ20	GEU	BEU	22.2	27.1	1.0	20	1.0	41.9	35.8
SMCJ20A	GEV	BEV	22.2	24.5	1.0	20	1.0	46.3	32.4
SMCJ22	GEW	BEW	24.4	29.8	1.0	22	1.0	38.1	39.4
SMCJ22A	GEX	BEX	24.4	26.9	1.0	22	1.0	42.3	35.5
SMCJ24	GEY	BEY	26.7	32.6	1.0	24	1.0	34.9	43.0
SMCJ24A	GEZ	BEZ	26.7	29.5	1.0	24	1.0	38.6	38.9
SMCJ26	GFD	BFD	28.9	35.3	1.0	26	1.0	32.2	46.6
SMCJ26A	GFE	BFE	28.9	31.9	1.0	26	1.0	35.6	42.1
SMCJ28	GFF	BFF	31.1	38.0	1.0	28	1.0	30.0	50.0
SMCJ28A	GFG	BFG	31.1	34.4	1.0	28	1.0	33.0	45.4
SMCJ30	GFH	BFH	33.3	40.7	1.0	30	1.0	28.0	53.5
SMCJ30A	GFK	BFK	33.3	36.8	1.0	30	1.0	31.0	48.4
SMCJ33	GFL	BFL	36.7	44.9	1.0	33	1.0	25.4	59.0
SMCJ33A	GFM	BFM	36.7	40.6	1.0	33	1.0	28.1	53.3



SMC

**Notes:**

- (1) For bi-directional devices, use suffix C or CA (e.g. SMCJ10C, SMCJ10CA).  
Electrical characteristics apply in both directions.
- (2) I<sub>T</sub> pulse test: tp ≦ 50ms.
- (3) Surge current waveform 10 / 1000 μS.
- (4) For bidirectional types with V<sub>WM</sub> of 10 volts and less, the I<sub>D</sub> limit is doubled.



**1500W Surface Mount Transient Voltage Suppressor  
SMCJ5.0~SMCJ188CA / SMC**

TYPE	Device Marking Code		V <sub>(BR)</sub>			V <sub>WM</sub>	I <sub>D</sub>	I <sub>PPM</sub>	V <sub>C</sub>
			V		@I <sub>T</sub>				
	UNI	BI	Min	Max	mA	V	@V <sub>WM</sub> μA	A	@I <sub>PPM</sub> V
SMCJ36	GFN	BFN	40.0	48.9	1.0	36	1.0	23.3	64.3
SMCJ36A	GFP	BFP	40.0	44.2	1.0	36	1.0	25.8	58.1
SMCJ40	GFQ	BFQ	44.4	54.3	1.0	40	1.0	21.0	71.4
SMCJ40A	GFR	BFR	44.4	49.1	1.0	40	1.0	23.3	64.5
SMCJ43	GFS	BFS	47.8	58.4	1.0	43	1.0	19.6	76.7
SMCJ43A	GFT	BFT	47.8	52.8	1.0	43	1.0	21.6	69.4
SMCJ45	GFU	BFU	50.0	61.1	1.0	45	1.0	18.7	80.3
SMCJ45A	GFV	BFV	50.0	55.3	1.0	45	1.0	20.6	72.7
SMCJ48	GFW	BFW	53.3	65.1	1.0	48	1.0	17.5	85.5
SMCJ48A	GFX	BFX	53.3	58.9	1.0	48	1.0	19.4	77.4
SMCJ51	GFY	BFY	56.7	69.3	1.0	51	1.0	16.5	91.1
SMCJ51A	GFZ	BFZ	56.7	62.7	1.0	51	1.0	18.2	82.4
SMCJ54	GGD	BGD	60.0	73.3	1.0	54	1.0	15.6	96.3
SMCJ54A	GGE	BGE	60.0	66.3	1.0	54	1.0	17.2	87.1
SMCJ58	GGF	BGF	64.4	78.7	1.0	58	1.0	14.6	103
SMCJ58A	GGG	BGG	64.4	71.2	1.0	58	1.0	16.0	93
SMCJ60	GGH	BGH	66.7	81.5	1.0	60	1.0	14.0	107
SMCJ60A	G GK	BGK	66.7	73.7	1.0	60	1.0	15.5	96
SMCJ64	GGL	BGL	71.1	86.9	1.0	64	1.0	13.2	114
SMCJ64A	GGM	BGM	71.1	78.6	1.0	64	1.0	14.6	103
SMCJ70	GGN	BGN	77.8	95.1	1.0	70	1.0	12.0	125
SMCJ70A	GGP	BGP	77.8	86.0	1.0	70	1.0	13.3	113
SMCJ75	GGQ	BGQ	83.3	102	1.0	75	1.0	11.2	134
SMCJ75A	GGR	BGR	83.3	92.1	1.0	75	1.0	12.4	121
SMCJ78	GG S	BGS	86.7	106	1.0	78	1.0	10.8	139
SMCJ78A	GGT	BGT	86.7	95.8	1.0	78	1.0	11.9	126
SMCJ85	GGU	BGU	94.4	115	1.0	85	1.0	9.9	151
SMCJ85A	GGV	BGV	94.4	104	1.0	85	1.0	10.9	137
SMCJ90	GGW	BGW	100	122	1.0	90	1.0	9.4	160
SMCJ90A	GGX	BGX	100	111	1.0	90	1.0	10.3	146
SMCJ100	GGY	BGY	111	136	1.0	100	1.0	8.4	179
SMCJ100A	GGZ	BGZ	111	123	1.0	100	1.0	9.3	162
SMCJ110	GHD	BHD	122	149	1.0	110	1.0	7.7	196
SMCJ110A	GHE	BHE	122	135	1.0	110	1.0	8.5	177
SMCJ120	GHF	BHF	133	163	1.0	120	1.0	7.0	214
SMCJ120A	GHG	BHG	133	147	1.0	120	1.0	7.8	193
SMCJ130	GHH	BHH	144	176	1.0	130	1.0	6.5	231
SMCJ130A	GHK	BHK	144	159	1.0	130	1.0	7.2	209
SMCJ150	GHL	BHL	167	204	1.0	150	1.0	5.6	268
SMCJ150A	GHM	BHM	167	185	1.0	150	1.0	6.2	243
SMCJ160	GHN	BHN	178	218	1.0	160	1.0	5.2	287
SMCJ160A	GHP	BHP	178	197	1.0	160	1.0	5.8	259
SMCJ170	GHQ	BHQ	189	231	1.0	170	1.0	4.9	304
SMCJ170A	GHR	BHR	189	209	1.0	170	1.0	5.5	275
SMCJ188	GHS	BHS	209	255	1.0	188	1.0	4.4	344
SMCJ188A	GHT	BHT	209	231	1.0	188	1.0	4.6	328


**Notes:**

- (1) For bi-directional devices, use suffix C or CA (e.g. SMCJ10C, SMCJ10CA). Electrical characteristics apply in both directions.
- (2) I<sub>T</sub> pulse test: t<sub>p</sub> ≅ 50ms.
- (3) Surge current waveform 10 / 1000 μS.
- (4) For bidirectional types with V<sub>WM</sub> of 10 volts and less, the I<sub>D</sub> limit is doubled.



## 3000W Surface Mount Transient Voltage Suppressor SMDJ5.0 ~ SMDJ188CA / SMC

TYPE	Device		V <sub>(BR)</sub>			V <sub>WM</sub>	I <sub>D</sub>	I <sub>PPM</sub>	V <sub>C</sub>
	Marking Code		V		@I <sub>T</sub>				
	UNI	BI	Min	Max	mA	V	@V <sub>WM</sub> μA	A	@I <sub>PPM</sub> V
SMDJ5.0	PDD	DDD	6.40	7.30	10	5.0	1000	312.5	9.6
SMDJ5.0A	PDE	DDE	6.40	7.00	10	5.0	1000	326.1	9.2
SMDJ6.0	PDF	DDF	6.67	8.15	10	6.0	1000	263.2	11.4
SMDJ6.0A	PDG	DDG	6.67	7.37	10	6.0	1000	291.3	10.3
SMDJ6.5	PDH	DDH	7.22	8.82	10	6.5	500	243.9	12.3
SMDJ6.5A	PDK	DDK	7.22	7.98	10	6.5	500	267.9	11.2
SMDJ7.0	PDL	DDL	7.78	9.51	10	7.0	200	225.6	13.3
SMDJ7.0A	PDM	DDM	7.78	8.60	10	7.0	200	250.0	12.0
SMDJ7.5	PDN	DDN	8.33	10.20	1	7.5	100	209.8	14.3
SMDJ7.5A	PDP	DDP	8.33	9.21	1	7.5	100	232.6	12.9
SMDJ8.0	PDQ	DDQ	8.89	10.90	1	8.0	50	200.0	15.0
SMDJ8.0A	PDR	DDR	8.89	9.83	1	8.0	50	220.6	13.6
SMDJ8.5	PDS	DDS	9.44	11.50	1	8.5	25	188.7	15.9
SMDJ8.5A	PDT	DDT	9.44	10.40	1	8.5	25	208.3	14.4
SMDJ9.0	PDU	DDU	10.0	12.2	1	9.0	10	177.5	16.9
SMDJ9.0A	PDV	DDV	10.0	11.1	1	9.0	10	194.8	15.4
SMDJ10	PDW	DDW	11.1	13.6	1	10	5.0	159.6	18.8
SMDJ10A	PDX	DDX	11.1	12.3	1	10	5.0	176.5	17.0
SMDJ11	PDY	DDY	12.2	14.9	1	11	5.0	149.3	20.1
SMDJ11A	PDZ	DDZ	12.2	13.5	1	11	5.0	164.8	18.2
SMDJ12	PED	DED	13.3	16.3	1	12	5.0	136.4	22.0
SMDJ12A	PEE	DEE	13.3	14.7	1	12	5.0	150.8	19.9
SMDJ13	PEF	DEF	14.4	17.6	1	13	5.0	126.1	23.8
SMDJ13A	PEG	DEG	14.4	15.9	1	13	5.0	139.5	21.5
SMDJ14	PEH	DEH	15.6	19.1	1	14	5.0	116.3	25.8
SMDJ14A	PEK	DEK	15.6	17.2	1	14	5.0	129.3	23.2
SMDJ15	PEL	DEL	16.7	20.4	1	15	5.0	111.5	26.9
SMDJ15A	PEM	DEM	16.7	18.5	1	15	5.0	123.0	24.4
SMDJ16	PEN	DEN	17.8	21.8	1	16	5.0	104.2	28.8
SMDJ16A	PEP	DEP	17.8	19.7	1	16	5.0	115.4	26.0
SMDJ17	PEQ	DEQ	18.9	23.1	1	17	5.0	98.4	30.5
SMDJ17A	PER	DER	18.9	20.9	1	17	5.0	108.7	27.6
SMDJ18	PES	DES	20.0	24.4	1	18	5.0	93.2	32.2
SMDJ18A	PET	DET	20.0	22.1	1	18	5.0	102.7	29.2
SMDJ19	PEA	DEA	21.1	25.8	1	19	5.0	88.2	34.0
SMDJ19A	PEB	DEB	21.1	23.3	1	19	5.0	97.5	30.8
SMDJ20	PEU	DEU	22.2	27.1	1	20	5.0	83.8	35.8
SMDJ20A	PEV	DEV	22.2	24.5	1	20	5.0	92.6	32.4
SMDJ22	PEW	DEW	24.4	29.8	1	22	5.0	76.1	39.4
SMDJ22A	PEX	DEX	24.4	26.9	1	22	5.0	84.5	35.5
SMDJ24	PEY	DEY	26.7	32.6	1	24	5.0	69.8	43.0
SMDJ24A	PEZ	DEZ	26.7	29.5	1	24	5.0	77.1	38.9
SMDJ26	PFD	DFD	28.9	35.3	1	26	5.0	64.4	46.6
SMDJ26A	PFE	DFE	28.9	31.9	1	26	5.0	71.3	42.1
SMDJ28	PFF	DFF	31.1	38.0	1	28	5.0	60.0	50.0
SMDJ28A	PFG	DFG	31.1	34.4	1	28	5.0	66.1	45.4
SMDJ30	PFH	DFH	33.3	40.7	1	30	5.0	56.1	53.5
SMDJ30A	PFK	DFK	33.3	36.8	1	30	5.0	62.0	48.4
SMDJ33	PFL	DFL	36.7	44.9	1	33	5.0	50.8	59.0
SMDJ33A	PFM	DFM	36.7	40.6	1	33	5.0	56.3	53.3
SMDJ36	PFN	DFN	40.0	48.9	1	36	5.0	46.7	64.3
SMDJ36A	PFQ	DFP	40.0	44.2	1	36	5.0	51.6	58.1



SMC

**3000W Surface Mount Transient Voltage Suppressor  
SMDJ5.0~SMDJ188CA / SMC**

TYPE	Device Marking Code		V <sub>(BR)</sub>			V <sub>WM</sub>	I <sub>D</sub>	I <sub>PPM</sub>	V <sub>C</sub>
	UNI	BI	V		@I <sub>T</sub>				
			Min	Max	mA	V	@V <sub>WM</sub> μA	A	@I <sub>PPM</sub> V
SMDJ40	PFQ	DFQ	44.4	54.3	1	40	5.0	42.0	71.4
SMDJ40A	PFR	DFR	44.4	49.1	1	40	5.0	46.5	64.5
SMDJ43	PFS	DFS	47.8	58.4	1	43	5.0	39.1	76.7
SMDJ43A	PFT	DFT	47.8	52.8	1	43	5.0	43.2	69.4
SMDJ45	PFU	DFU	50.0	61.1	1	45	5.0	37.4	80.3
SMDJ45A	PFV	DFV	50.0	55.3	1	45	5.0	41.3	72.7
SMDJ48	PFW	DFW	53.3	65.1	1	48	5.0	35.1	85.5
SMDJ48A	PFX	DFX	53.3	58.9	1	48	5.0	38.8	77.4
SMDJ51	PFY	DFY	56.7	69.3	1	51	5.0	32.9	91.1
SMDJ51A	PFZ	DFZ	56.7	62.7	1	51	5.0	36.4	82.4
SMDJ54	PGD	DGD	60.0	73.3	1	54	5.0	31.2	96.3
SMDJ54A	PGE	DGE	60.0	66.3	1	54	5.0	34.4	87.1
SMDJ58	PGF	DGF	64.4	78.7	1	58	5.0	29.1	103
SMDJ58A	PGG	DGG	64.4	71.2	1	58	5.0	32.1	93.6
SMDJ60	PGH	DGH	66.7	81.5	1	60	5.0	28.0	107
SMDJ60A	PGK	DGK	66.7	73.7	1	60	5.0	31.0	96.8
SMDJ64	PGL	DGL	71.1	86.9	1	64	5.0	26.3	114
SMDJ64A	PGM	DGM	71.1	78.6	1	64	5.0	29.1	103
SMDJ70	PGN	DGN	77.8	95.1	1	70	5.0	24.0	125
SMDJ70A	PGP	DGP	77.8	86.0	1	70	5.0	26.5	113
SMDJ75	PGQ	DGQ	83.3	102	1	75	5.0	22.4	134
SMDJ75A	PGR	DGR	83.3	92.1	1	75	5.0	24.8	121
SMDJ78	PGS	DGS	86.7	106	1	78	5.0	21.6	139
SMDJ78A	PGT	DGT	86.7	95.8	1	78	5.0	23.8	126
SMDJ80	PGA	DGA	89.0	109	1	80	5.0	20.9	143
SMDJ80A	PGB	DGB	88.8	97.6	1	80	5.0	23.1	130
SMDJ85	PGU	DGU	94.4	115	1	85	5.0	19.9	151
SMDJ85A	PGV	DGV	94.4	104	1	85	5.0	21.9	137
SMDJ90	PGW	DGW	100	122	1	90	5.0	18.8	160
SMDJ90A	PGX	DGX	100	111	1	90	5.0	20.5	146
SMDJ100	PGY	DGY	111	136	1	100	5.0	16.8	179
SMDJ100A	PGZ	DGZ	111	123	1	100	5.0	18.5	162
SMDJ110	PHD	DHD	122	149	1	110	5.0	15.3	196
SMDJ110A	PHE	DHE	122	135	1	110	5.0	16.9	177
SMDJ120	PHF	DHF	133	163	1	120	5.0	14.0	214
SMDJ120A	PHG	DHG	133	147	1	120	5.0	15.5	193
SMDJ130	PHH	DHH	144	176	1	130	5.0	13.0	231
SMDJ130A	PHK	DHK	144	159	1	130	5.0	14.4	209
SMDJ140	PHA	DHA	156	190	1	140	5.0	12.0	251
SMDJ140A	PHB	DHB	155	171	1	140	5.0	13.2	227
SMDJ150	PHL	DHL	167	204	1	150	5.0	11.2	268
SMDJ150A	PHM	DHM	167	185	1	150	5.0	12.3	243
SMDJ160	PHN	DHN	178	218	1	160	5.0	10.5	287
SMDJ160A	PHP	DHP	178	197	1	160	5.0	11.6	259
SMDJ170	PHQ	DHQ	189	231	1	170	5.0	9.9	304
SMDJ170A	PHR	DHR	189	209	1	170	5.0	10.9	275
SMDJ180	PHS	DHS	200	245	1	180	5.0	9.3	322
SMDJ180A	PHT	DHT	200	220	1	180	5.0	10.3	292
SMDJ190	PHU	DHU	211	258	1	190	5.0	8.8	340
SMDJ190A	PHV	DHV	211	232	1	190	5.0	9.6	308



SMC

**Notes:**

- (1) For bi-directional devices, use suffix C or CA (e.g. SMDJ10C, SMDJ10CA).  
Electrical characteristics apply in both directions.
- (2) I<sub>T</sub> pulse test: t<sub>p</sub> ≤ 50ms.
- (3) Surge current waveform 10 / 1000 μS.
- (4) For bidirectional types with V<sub>WM</sub> of 10 volts and less, the I<sub>D</sub> limit is doubled.

## 5000W Surface Mount Transient Voltage Suppressor 5.0SMDJ11~5.0SMDJ190A / SMC

TYPE	Device Marking Code		$V_{(BR)}$			$V_{WM}$	$I_D$	$I_{PPM}$	$V_C$
			V		@ $I_T$				
	UNI	BI	Min	Max	mA	V	@ $V_{WM}$ $\mu A$	A	@ $I_{PPM}$ V
5.0SMDJ11	5PDW	5BDW	12.2	14.9	1	11	800	251.2	20.1
5.0SMDJ11A	5PDX	5BDX	12.2	13.5	1	11	800	277.5	18.2
5.0SMDJ12	5PDY	5BDY	13.3	16.3	1	12	800	229.5	22.0
5.0SMDJ12A	5PDZ	5BDZ	13.3	14.7	1	12	800	253.8	19.9
5.0SMDJ13	5PED	5BED	14.4	17.6	1	13	500	212.2	23.8
5.0SMDJ13A	5PEE	5BEE	14.4	15.9	1	13	500	234.9	21.5
5.0SMDJ14	5PEF	5BEF	15.6	19.1	1	14	200	195.7	25.8
5.0SMDJ14A	5PEG	5BEG	15.6	17.2	1	14	200	217.7	23.2
5.0SMDJ15	5PEH	5BEH	16.7	20.4	1	15	100	187.7	26.9
5.0SMDJ15A	5PEK	5BEK	16.7	18.5	1	15	100	207.0	24.4
5.0SMDJ16	5PEL	5BEL	17.8	21.8	1	16	50	175.3	28.8
5.0SMDJ16A	5PEM	5BEM	17.8	19.7	1	16	50	194.2	26.0
5.0SMDJ17	5PEN	5BEN	18.9	23.1	1	17	20	165.6	30.5
5.0SMDJ17A	5PEP	5BEP	18.9	20.9	1	17	20	183.0	27.6
5.0SMDJ18	5PEQ	5BEQ	20.0	24.4	1	18	10	156.8	32.2
5.0SMDJ18A	5PER	5BER	20.0	22.1	1	18	10	172.9	29.2
5.0SMDJ19	5PES	5BES	21.1	25.8	1	19	10	148.5	34.0
5.0SMDJ19A	5PET	5BET	21.1	23.3	1	19	10	164.1	30.8
5.0SMDJ20	5PEU	5BEU	22.2	27.1	1	20	5.0	141.1	35.8
5.0SMDJ20A	5PEV	5BEV	22.2	24.5	1	20	5.0	155.9	32.4
5.0SMDJ22	5PEW	5BEW	24.4	29.8	1	22	5.0	128.2	39.4
5.0SMDJ22A	5PEX	5BEX	24.4	26.9	1	22	5.0	142.3	35.5
5.0SMDJ24	5PEY	5BEY	26.7	32.6	1	24	5.0	117.4	43.0
5.0SMDJ24A	5PEZ	5BEZ	26.7	29.5	1	24	5.0	129.8	38.9
5.0SMDJ26	5PFD	5BFD	28.9	35.3	1	26	5.0	108.4	46.6
5.0SMDJ26A	5PFE	5BFE	28.9	31.9	1	26	5.0	120.0	42.1
5.0SMDJ28	5PFF	5BFF	31.1	38.0	1	28	5.0	101.0	50.0
5.0SMDJ28A	5PFG	5BFG	31.1	34.4	1	28	5.0	111.2	45.4
5.0SMDJ30	5PFH	5BFH	33.3	40.7	1	30	5.0	94.4	53.5
5.0SMDJ30A	5PFK	5BFK	33.3	36.8	1	30	5.0	104.3	48.4
5.0SMDJ33	5PFL	5BFL	36.7	44.9	1	33	5.0	85.6	59.0
5.0SMDJ33A	5PFM	5BFM	36.7	40.6	1	33	5.0	94.7	53.3
5.0SMDJ36	5PFN	5BFN	40.0	48.9	1	36	5.0	78.5	64.3
5.0SMDJ36A	5PFP	5BFP	40.0	44.2	1	36	5.0	86.9	58.1
5.0SMDJ40	5PFQ	5BFQ	44.4	54.3	1	40	5.0	70.7	71.4
5.0SMDJ40A	5PFR	5BFR	44.4	49.1	1	40	5.0	78.3	64.5
5.0SMDJ43	5PFS	5BFS	47.8	58.4	1	43	5.0	65.8	76.7
5.0SMDJ43A	5PFT	5BFT	47.8	52.8	1	43	5.0	72.8	69.4
5.0SMDJ45	5PFU	5BFU	50.0	61.1	1	45	5.0	62.9	80.3
5.0SMDJ45A	5PFV	5BFV	50.0	55.3	1	45	5.0	69.5	72.7
5.0SMDJ48	5PFW	5BFW	53.3	65.1	1	48	5.0	59.1	85.5
5.0SMDJ48A	5PFX	5BFX	53.3	58.9	1	48	5.0	65.2	77.4
5.0SMDJ51	5PFY	5BFY	56.7	69.3	1	51	5.0	55.4	91.1
5.0SMDJ51A	5PFZ	5BFZ	56.7	62.7	1	51	5.0	61.3	82.4
5.0SMDJ54	5PGD	5BGD	60.0	73.3	1	54	5.0	52.4	96.3
5.0SMDJ54A	5PGE	5BGE	60.0	66.3	1	54	5.0	58.0	87.1
5.0SMDJ58	5PGF	5BGF	64.4	78.7	1	58	5.0	49.0	103
5.0SMDJ58A	5PGG	5BGG	64.4	71.2	1	58	5.0	54.0	93.6

### Notes:

- (1) For bi-directional devices, use suffix C or CA (e.g. 5.0SMDJ10C, 5.0SMDJ10CA).  
Electrical characteristics apply in both directions.
- (2)  $I_T$  pulse test:  $t_p \leq 50ms$ .
- (3) Surge current waveform 10 / 1000  $\mu s$ .
- (4) For bidirectional types with  $V_{WM}$  of 10 volts and less, the  $I_D$  limit is doubled.



SMC

**5000W Surface Mount Transient Voltage Suppressor**  
**5.0SMDJ11~ 5.0SMDJ190A / SMC**

TYPE	Device Marking Code		$V_{(BR)}$			$V_{WM}$	$I_D$	$I_{PPM}$	$V_C$
	UNI	BI	V		@ $I_T$	V	@ $V_{WM}$	A	@ $I_{PPM}$
			Min	Max	mA		$\mu A$		V
5.0SMDJ60	5PGH	5BGH	66.7	81.5	1	60	5.0	47.2	107
5.0SMDJ60A	5PGK	5BGK	66.7	73.7	1	60	5.0	52.2	96.8
5.0SMDJ64	5PGL	5BGL	71.1	86.9	1	64	5.0	44.3	114
5.0SMDJ64A	5PGM	5BGM	71.1	78.6	1	64	5.0	49.0	103
5.0SMDJ70	5PGN	5BGN	77.8	95.1	1	70	5.0	40.4	125
5.0SMDJ70A	5PGP	5BGP	77.8	86.0	1	70	5.0	44.7	113
5.0SMDJ75	5PGQ	5BGQ	83.3	102	1	75	5.0	37.7	134
5.0SMDJ75A	5PGR	5BGR	83.3	92.1	1	75	5.0	41.7	121
5.0SMDJ78	5PGS	5BGS	86.7	106	1	78	5.0	36.3	139
5.0SMDJ78A	5PGT	5BGT	86.7	95.8	1	78	5.0	40.1	126
5.0SMDJ80	5PGA	5BGA	89.0	109	1	80	5.0	35.3	143
5.0SMDJ80A	5PGB	5BGB	88.8	97.6	1	80	5.0	39.0	130
5.0SMDJ85	5PGU	5BGU	94.4	115	1	85	5.0	33.4	151
5.0SMDJ85A	5PGV	5BGV	94.4	104	1	85	5.0	36.9	137
5.0SMDJ90	5PGW	5BGW	100	122	1	90	5.0	31.6	160
5.0SMDJ90A	5PGX	5BGX	100	111	1	90	5.0	34.6	146
5.0SMDJ100	5PGY	5BGY	111	136	1	100	5.0	28.2	179
5.0SMDJ100A	5PGZ	5BGZ	111	123	1	100	5.0	31.2	162
5.0SMDJ110	5PHD	5BHD	122	149	1	110	5.0	25.8	196
5.0SMDJ110A	5PHE	5BHE	122	135	1	110	5.0	28.5	177
5.0SMDJ120	5PHF	5BHF	133	163	1	120	5.0	23.6	214
5.0SMDJ120A	5PHG	5BHG	133	147	1	120	5.0	26.2	193
5.0SMDJ130	5PHH	5BHH	144	176	1	130	5.0	21.9	231
5.0SMDJ130A	5PHK	5BHK	144	159	1	130	5.0	24.2	209
5.0SMDJ140	5PHA	5BHA	156	190	1	140	5.0	20.2	251
5.0SMDJ140A	5PHB	5BHB	155	171	1	140	5.0	22.3	227
5.0SMDJ150	5PHL	5BHL	167	204	1	150	5.0	18.8	268
5.0SMDJ150A	5PHM	5BHM	167	185	1	150	5.0	20.8	243
5.0SMDJ160	5PHN	5BHN	178	218	1	160	5.0	17.6	287
5.0SMDJ160A	5PHP	5BHP	178	197	1	160	5.0	19.5	259
5.0SMDJ170	5PHQ	5BHQ	189	231	1	170	5.0	16.6	304
5.0SMDJ170A	5PHR	5BHR	189	209	1	170	5.0	18.4	275
5.0SMDJ180	5PHS	5BHS	200	245	1	180	5.0	15.7	322
5.0SMDJ180A	5PHT	5BHT	200	220	1	180	5.0	17.3	292
5.0SMDJ190	5PHU	5BHU	211	258	1	190	5.0	14.8	340
5.0SMDJ190A	5PHV	5BHV	211	232	1	190	5.0	16.4	308



SMC

**Notes:**

- (1) For bi-directional devices, use suffix C or CA (e.g. 5.0SMDJ10C, 5.0SMDJ10CA).  
Electrical characteristics apply in both directions.
- (2)  $I_T$  pulse test:  $t_p \cong 50ms$ .
- (3) Surge current waveform 10 / 1000  $\mu S$ .
- (4) For bidirectional types with  $V_{WM}$  of 10 volts and less, the  $I_D$  limit is doubled.

## 500mW Zener Diode 1N5221B~1N5267B / DO- 34 & DO- 35

TYPE	Zener Voltage			Zener Impedance				$\alpha V_Z @ I_{ZT}$	Leakage Current		Case Style
	$V_Z(V) @ I_{ZT}$			$Z_{ZT} @ I_{ZT}$		$Z_{ZK} @ I_{ZK}$			$I_R @ V_R$		
	Nom	Min	Max	$\Omega$	mA	$\Omega$	mA	%/°C	$\mu A$	V	
1N5226B	3.3	3.14	3.47	28	20	1600	0.25	-0.070	25	1.0	DO-34/ DO-35
1N5227B	3.6	3.42	3.78	24	20	1700	0.25	-0.065	15	1.0	
1N5228B	3.9	3.71	4.10	23	20	1900	0.25	-0.060	10	1.0	
1N5229B	4.3	4.09	4.52	22	20	2000	0.25	+0.055	5.0	1.0	
1N5230B	4.7	4.47	4.94	19	20	1900	0.25	+0.030	5.0	2.0	
1N5231B	5.1	4.85	5.36	17	20	1600	0.25	+0.030	5.0	2.0	
1N5232B	5.6	5.32	5.88	11	20	1600	0.25	+0.038	5.0	3.0	
1N5233B	6.0	5.70	6.30	7	20	1600	0.25	+0.038	5.0	3.5	
1N5234B	6.2	5.89	6.51	7	20	1000	0.25	+0.045	5.0	4.0	
1N5235B	6.8	6.46	7.14	5	20	750	0.25	+0.050	3.0	5.0	
1N5236B	7.5	7.13	7.88	6	20	500	0.25	+0.058	3.0	6.0	
1N5237B	8.2	7.79	8.61	8	20	500	0.25	+0.062	3.0	6.5	
1N5238B	8.7	8.27	9.14	8	20	600	0.25	+0.065	3.0	6.5	
1N5239B	9.1	8.65	9.56	10	20	600	0.25	+0.068	3.0	7.0	
1N5240B	10	9.50	10.50	17	20	600	0.25	+0.075	3.0	8.0	
1N5241B	11	10.45	11.55	22	20	600	0.25	+0.076	2.0	8.4	
1N5242B	12	11.40	12.60	30	20	600	0.25	+0.077	1.0	9.1	
1N5243B	13	12.35	13.65	13	9.5	600	0.25	+0.079	0.5	9.9	
1N5244B	14	13.30	14.70	15	9.0	600	0.25	+0.082	0.1	10	
1N5245B	15	14.25	15.75	16	8.5	600	0.25	+0.082	0.1	11	
1N5246B	16	15.20	16.80	17	7.8	600	0.25	+0.083	0.1	12	
1N5247B	17	16.15	17.85	19	7.4	600	0.25	+0.084	0.1	13	
1N5248B	18	17.10	18.90	21	7.0	600	0.25	+0.085	0.1	14	
1N5249B	19	18.05	19.95	23	6.6	600	0.25	+0.086	0.1	14	
1N5250B	20	19.00	21.00	25	6.2	600	0.25	+0.086	0.1	15	
1N5251B	22	20.90	23.10	29	5.6	600	0.25	+0.087	0.1	17	
1N5252B	24	22.80	25.20	33	5.2	600	0.25	+0.088	0.1	18	
1N5253B	25	23.75	26.25	35	5.0	600	0.25	+0.089	0.1	19	
1N5254B	27	25.65	28.35	41	4.6	600	0.25	+0.090	0.1	21	
1N5255B	28	26.60	29.40	44	4.5	600	0.25	+0.091	0.1	21	
1N5256B	30	28.50	31.50	49	4.2	600	0.25	+0.091	0.1	23	
1N5257B	33	31.35	34.65	58	3.8	700	0.25	+0.092	0.1	25	
1N5258B	36	34.20	37.80	70	3.4	700	0.25	+0.093	0.1	27	
1N5259B	39	37.05	40.95	80	3.2	800	0.25	+0.094	0.1	30	
1N5260B	43	40.85	45.15	93	3.0	900	0.25	+0.095	0.1	33	
1N5261B	47	44.65	49.35	105	2.7	1000	0.25	+0.095	0.1	36	
1N5262B	51	48.45	53.55	125	2.5	1100	0.25	+0.096	0.1	39	
1N5263B	56	53.20	58.80	150	2.2	1300	0.25	+0.096	0.1	43	
1N5264B	60	57.00	63.00	170	2.1	1400	0.25	+0.097	0.1	46	
1N5265B	62	58.90	65.10	185	2.0	1400	0.25	+0.097	0.1	47	
1N5266B	68	64.60	71.40	230	1.8	1600	0.25	+0.097	0.1	52	
1N5267B	75	71.25	78.75	270	1.7	1700	0.25	+0.098	0.1	56	



**500mW Zener Diode**  
**BZX55 Series / DO- 34 & DO- 35**

TYPE	Zener Voltage			Zener Impedance				$\alpha V_Z @ I_{ZT}$	Leakage Current		Case Style
	$V_Z(V) @ I_{ZT}$			$Z_{ZT} @ I_{ZT}$		$Z_{ZK} @ I_{ZK}$			$I_R @ V_R$		
	Nom	Min	Max	$\Omega$	mA	$\Omega$	mA	%/°C	$\mu A$	V	
BZX55-C3V6	3.6	3.40	3.80	85	5	600	1	-0.050	2	1.0	DO- 34 / DO- 35
BZX55-C3V9	3.9	3.70	4.10	85	5	600	1	-0.050	2	1.0	
BZX55-C4V3	4.3	4.00	4.60	75	5	600	1	-0.030	1	1.0	
BZX55-C4V7	4.7	4.40	5.00	60	5	600	1	-0.020	0.5	1.0	
BZX55-C5V1	5.1	4.80	5.40	35	5	550	1	+0.020	0.1	1.0	
BZX55-C5V6	5.6	5.20	6.00	25	5	450	1	+0.050	0.1	1.0	
BZX55-C6V2	6.2	5.80	6.60	10	5	200	1	+0.060	0.1	2.0	
BZX55-C6V8	6.8	6.40	7.20	8	5	150	1	+0.070	0.1	3.0	
BZX55-C7V5	7.5	7.00	7.90	7	5	50	1	+0.070	0.1	5.0	
BZX55-C8V2	8.2	7.70	8.70	7	5	50	1	+0.080	0.1	6.2	
BZX55-C9V1	9.1	8.50	9.60	10	5	50	1	+0.090	0.1	6.8	
BZX55-C10	10	9.40	10.6	15	5	70	1	+0.10	0.1	7.5	
BZX55-C11	11	10.4	11.6	20	5	70	1	+0.11	0.1	8.2	
BZX55-C12	12	11.4	12.7	20	5	90	1	+0.11	0.1	9.1	
BZX55-C13	13	12.4	14.1	26	5	110	1	+0.11	0.1	10	
BZX55-C15	15	13.8	15.6	30	5	110	1	+0.11	0.1	11	
BZX55-C16	16	15.3	17.1	40	5	170	1	+0.11	0.1	12	
BZX55-C18	18	16.8	19.1	50	5	170	1	+0.11	0.1	13	
BZX55-C20	20	18.8	21.2	55	5	220	1	+0.11	0.1	15	
BZX55-C22	22	20.8	23.3	55	5	220	1	+0.12	0.1	16	
BZX55-C24	24	22.8	25.6	80	5	220	1	+0.12	0.1	18	
BZX55-C27	27	25.1	28.9	80	5	220	1	+0.12	0.1	20	
BZX55-C30	30	28.0	32.0	80	5	220	1	+0.12	0.1	22	
BZX55-C33	33	31.0	35.0	80	5	220	1	+0.12	0.1	24	
BZX55-C36	36	34.0	38.0	80	5	220	1	+0.12	0.1	27	
BZX55-C39	39	37.0	41.0	90	2.5	500	0.5	+0.12	0.1	30	
BZX55-C43	43	40.0	46.0	90	2.5	600	0.5	+0.12	0.1	33	
BZX55-C47	47	44.0	50.0	110	2.5	700	0.5	+0.12	0.1	36	
BZX55-C51	51	48.0	54.0	125	2.5	700	0.5	+0.12	0.1	39	
BZX55-C56	56	52.0	60.0	135	2.5	1000	0.5	+0.12	0.1	43	
BZX55-C62	62	58.0	66.0	150	2.5	1000	0.5	+0.12	0.1	47	
BZX55-C68	68	64.0	72.0	200	2.5	1000	0.5	+0.12	0.1	51	
BZX55-C75	75	70.0	79.0	250	2.5	1500	0.5	+0.12	0.1	56	





## 500mW Zener Diode HZ Series / DO-34 & DO-35

Type	V <sub>Z</sub> (V) @I <sub>ZT</sub>		I <sub>ZT</sub>	I <sub>R</sub> @V <sub>R</sub>	V <sub>R</sub>	Z <sub>ZT</sub> @I <sub>ZT</sub>	Type	V <sub>Z</sub> (V) @I <sub>ZT</sub>		I <sub>ZT</sub>	I <sub>R</sub> @V <sub>R</sub>	V <sub>R</sub>	Z <sub>ZT</sub> @I <sub>ZT</sub>
	Min	Max	mA	μA	V	Ω		Min	Max	mA	μA	V	Ω
HZ3C3	3.3	3.5	5	5	0.5	100	HZ11A2	9.7	10.1	5	1	7.5	25
HZ4A1	3.4	3.6	5	5	1.0	100	HZ11A3	9.9	10.3	5	1	7.5	25
HZ4A2	3.5	3.7	5	5	1.0	100	HZ11B1	10.2	10.6	5	1	7.5	25
HZ4A3	3.6	3.8	5	5	1.0	100	HZ11B2	10.4	10.8	5	1	7.5	25
HZ4B1	3.7	3.9	5	5	1.0	100	HZ11B3	10.7	11.1	5	1	7.5	25
HZ4B2	3.8	4.0	5	5	1.0	100	HZ11C1	10.9	11.3	5	1	7.5	25
HZ4B3	3.9	4.1	5	5	1.0	100	HZ11C2	11.1	11.6	5	1	7.5	25
HZ4C1	4.0	4.2	5	5	1.0	100	HZ11C3	11.4	11.9	5	1	7.5	25
HZ4C2	4.1	4.3	5	5	1.0	100	HZ12A1	11.6	12.1	5	1	9.5	35
HZ4C3	4.2	4.4	5	5	1.0	100	HZ12A2	11.9	12.4	5	1	9.5	35
HZ5A1	4.3	4.5	5	5	1.5	100	HZ12A3	12.2	12.7	5	1	9.5	35
HZ5A2	4.4	4.6	5	5	1.5	100	HZ12B1	12.4	12.9	5	1	9.5	35
HZ5A3	4.5	4.7	5	5	1.5	100	HZ12B2	12.6	13.1	5	1	9.5	35
HZ5B1	4.6	4.8	5	5	1.5	100	HZ12B3	12.9	13.4	5	1	9.5	35
HZ5B2	4.7	4.9	5	5	1.5	100	HZ12C1	13.2	13.7	5	1	9.5	35
HZ5B3	4.8	5.0	5	5	1.5	100	HZ12C2	13.5	14.0	5	1	9.5	35
HZ5C1	4.9	5.1	5	5	1.5	100	HZ12C3	13.8	14.3	5	1	9.5	35
HZ5C2	5.0	5.2	5	5	1.5	100	HZ151	14.1	14.7	5	1	11	40
HZ5C3	5.1	5.3	5	5	1.5	100	HZ152	14.5	15.1	5	1	11	40
HZ6A1	5.2	5.5	5	5	2.0	40	HZ153	14.9	15.5	5	1	11	40
HZ6A2	5.3	5.6	5	5	2.0	40	HZ161	15.3	15.9	5	1	12	45
HZ6A3	5.4	5.7	5	5	2.0	40	HZ162	15.7	16.5	5	1	12	45
HZ6B1	5.5	5.8	5	5	2.0	40	HZ163	16.3	17.1	5	1	12	45
HZ6B2	5.6	5.9	5	5	2.0	40	HZ181	16.9	17.7	5	1	13	55
HZ6B3	5.7	6.0	5	5	2.0	40	HZ182	17.5	18.3	5	1	13	55
HZ6C1	5.8	6.1	5	5	2.0	40	HZ183	18.1	19.0	5	1	13	55
HZ6C2	6.0	6.3	5	5	2.0	40	HZ201	18.8	19.7	2	1	15	60
HZ6C3	6.1	6.4	5	5	2.0	40	HZ202	19.5	20.4	2	1	15	60
HZ7A1	6.3	6.6	5	1	3.5	15	HZ203	20.2	21.1	2	1	15	60
HZ7A2	6.4	6.7	5	1	3.5	15	HZ221	20.9	21.9	2	1	17	65
HZ7A3	6.6	6.9	5	1	3.5	15	HZ222	21.6	22.6	2	1	17	65
HZ7B1	6.7	7.0	5	1	3.5	15	HZ223	22.3	23.3	2	1	17	65
HZ7B2	6.9	7.2	5	1	3.5	15	HZ241	22.9	24.0	2	1	19	70
HZ7B3	7.0	7.3	5	1	3.5	15	HZ242	23.6	24.7	2	1	19	70
HZ7C1	7.2	7.6	5	1	3.5	15	HZ243	24.3	25.5	2	1	19	70
HZ7C2	7.3	7.7	5	1	3.5	15	HZ271	25.2	26.6	2	1	21	80
HZ7C3	7.5	7.9	5	1	3.5	15	HZ272	26.2	27.6	2	1	21	80
HZ9A1	7.7	8.1	5	1	5.0	20	HZ273	27.2	28.6	2	1	21	80
HZ9A2	7.9	8.3	5	1	5.0	20	HZ301	28.2	29.6	2	1	23	100
HZ9A3	8.1	8.5	5	1	5.0	20	HZ302	29.2	30.6	2	1	23	100
HZ9B1	8.3	8.7	5	1	5.0	20	HZ303	30.2	31.6	2	1	23	100
HZ9B2	8.5	8.9	5	1	5.0	20	HZ331	31.2	32.6	2	1	25	120
HZ9B3	8.7	9.1	5	1	5.0	20	HZ332	32.2	33.6	2	1	25	120
HZ9C1	8.9	9.3	5	1	5.0	20	HZ333	33.2	34.6	2	1	25	120
HZ9C2	9.1	9.5	5	1	5.0	20	HZ361	34.2	35.7	2	1	27	140
HZ9C3	9.3	9.7	5	1	5.0	20	HZ362	35.3	36.8	2	1	27	140
HZ11A1	9.5	9.9	5	1	7.5	25	HZ363	36.4	38.0	2	1	27	140



DO-34



DO-35

## 1W Zener Diode

1N4728~1N4764 / DO-41G

TYPE	$V_Z@I_{ZT}$	$I_{ZT}$	$Z_{ZT}@I_{ZT}$	$Z_{ZK}@I_{ZK}$	$I_{ZK}$	$I_R@V_R$	$V_R$	$I_{ZM}$	Case Style
	V	mA	$\Omega$	$\Omega$	mA	$\mu A$	V	mA(dc)	
1N4728	3.3	76	10	400	1.0	100	1.0	276	DO-41G
1N4729	3.6	69	10	400	1.0	100	1.0	252	
1N4730	3.9	64	9	400	1.0	50	1.0	234	
1N4731	4.3	58	9	400	1.0	10	1.0	217	
1N4732	4.7	53	8	500	1.0	10	1.0	193	
1N4733	5.1	49	7	550	1.0	10	1.0	178	
1N4734	5.6	45	5	600	1.0	10	2.0	162	
1N4735	6.2	41	2	700	1.0	10	3.0	146	
1N4736	6.8	37	3.5	700	1.0	10	4.0	133	
1N4737	7.5	34	4	700	0.5	10	5.0	121	
1N4738	8.2	31	4.5	700	0.5	10	6.0	110	
1N4739	9.1	28	5	700	0.5	10	7.0	100	
1N4740	10	25	7	700	0.25	10	7.6	91	
1N4741	11	23	8	700	0.25	5	8.4	83	
1N4742	12	21	9	700	0.25	5	9.1	76	
1N4743	13	19	10	700	0.25	5	9.9	69	
1N4744	15	17	14	700	0.25	5	11.4	61	
1N4745	16	15.5	16	700	0.25	5	12.2	57	
1N4746	18	14	20	750	0.25	5	13.7	50	
1N4747	20	12.5	22	750	0.25	5	15.2	45	
1N4748	22	11.5	23	750	0.25	5	16.7	41	
1N4749	24	10.5	25	750	0.25	5	18.2	38	
1N4750	27	9.5	35	750	0.25	5	20.6	34	
1N4751	30	8.5	40	1000	0.25	5	22.8	30	
1N4752	33	7.5	45	1000	0.25	5	25.1	27	
1N4753	36	7.0	50	1000	0.25	5	27.4	25	
1N4754	39	6.5	60	1000	0.25	5	29.7	23	
1N4755	43	6.0	70	1500	0.25	5	32.7	22	
1N4756	47	5.5	80	1500	0.25	5	35.8	19	
1N4757	51	5.0	95	1500	0.25	5	38.8	18	
1N4758	56	4.5	110	2000	0.25	5	42.6	16	
1N4759	62	4.0	125	2000	0.25	5	47.1	14	
1N4760	68	3.7	150	2000	0.25	5	51.7	13	
1N4761	75	3.3	175	2000	0.25	5	56.0	12	
1N4762	82	3.0	200	3000	0.25	5	62.2	11	
1N4763	91	2.8	250	3000	0.25	5	69.2	10	
1N4764	100	2.5	350	3000	0.25	5	76.0	9	



DO-41G

**Note:**

Tolerance of zener voltage:  $\pm 10\%$ , suffix "A" for  $\pm 5\%$



## 500mW Surface Mount Zener Diodes MMSZ5225~MMSZ5267 Series / SOD-123FL

TYPE	Marking Code	$V_Z@I_{ZT}$	$I_{ZT}$	$Z_{ZT}@I_{ZT}$	$Z_{ZK}@I_{ZK}$	$I_{ZK}$	$\alpha_{V_Z}@I_{ZT}$	$I_R@V_R$	$V_R$	Case Style
		V	mA	$\Omega$	$\Omega$	mA	%/°C	$\mu A$	V	
MMSZ5225	C5	3.0	20	30	1600	0.25	- 0.075	50	1.0	SOD-123FL
MMSZ5226	D1	3.3	20	28	1600	0.25	- 0.070	25	1.0	
MMSZ5227	D2	3.6	20	24	1700	0.25	- 0.065	15	1.0	
MMSZ5228	D3	3.9	20	23	1900	0.25	- 0.060	10	1.0	
MMSZ5229	D4	4.3	20	22	2000	0.25	- 0.055	5.0	1.0	
MMSZ5230	D5	4.7	20	19	1900	0.25	$\pm$ 0.030	5.0	2.0	
MMSZ5231	E1	5.1	20	17	1600	0.25	$\pm$ 0.030	5.0	2.0	
MMSZ5232	E2	5.6	20	11	1600	0.25	+ 0.038	5.0	3.0	
MMSZ5233	E3	6.0	20	7	1600	0.25	+ 0.038	5.0	3.5	
MMSZ5234	E4	6.2	20	7	1000	0.25	+ 0.045	5.0	4.0	
MMSZ5235	E5	6.8	20	5	750	0.25	+ 0.050	3.0	5.0	
MMSZ5236	F1	7.5	20	6	500	0.25	+ 0.058	3.0	6.0	
MMSZ5237	F2	8.2	20	8	500	0.25	+ 0.062	3.0	6.5	
MMSZ5238	F3	8.7	20	8	600	0.25	+ 0.065	3.0	6.5	
MMSZ5239	F4	9.1	20	10	600	0.25	+ 0.068	3.0	7.0	
MMSZ5240	F5	10	20	17	600	0.25	+ 0.075	3.0	8.0	
MMSZ5241	H1	11	20	22	600	0.25	+ 0.076	2.0	8.4	
MMSZ5242	H2	12	20	30	600	0.25	+ 0.077	1.0	9.1	
MMSZ5243	H3	13	9.5	13	600	0.25	+ 0.079	0.5	9.9	
MMSZ5244	H4	14	9.0	15	600	0.25	+ 0.082	0.1	10	
MMSZ5245	H5	15	8.5	16	600	0.25	+ 0.082	0.1	11	
MMSZ5246	J1	16	7.8	17	600	0.25	+ 0.083	0.1	12	
MMSZ5247	J2	17	7.4	19	600	0.25	+ 0.084	0.1	13	
MMSZ5248	J3	18	7.0	21	600	0.25	+ 0.085	0.1	14	
MMSZ5249	J4	19	6.6	23	600	0.25	+ 0.086	0.1	14	
MMSZ5250	J5	20	6.2	25	600	0.25	+ 0.086	0.1	15	
MMSZ5251	K1	22	5.6	29	600	0.25	+ 0.087	0.1	17	
MMSZ5252	K2	24	5.2	33	600	0.25	+ 0.087	0.1	18	
MMSZ5253	K3	25	5.0	35	600	0.25	+ 0.089	0.1	19	
MMSZ5254	K4	27	4.6	41	600	0.25	+ 0.090	0.1	21	
MMSZ5255	K5	28	4.5	44	600	0.25	+ 0.091	0.1	21	
MMSZ5256	M1	30	4.2	49	600	0.25	+ 0.091	0.1	23	
MMSZ5257	M2	33	3.8	58	700	0.25	+ 0.092	0.1	25	
MMSZ5258	M3	36	3.4	70	700	0.25	+ 0.093	0.1	27	
MMSZ5259	M4	39	3.2	80	800	0.25	+ 0.094	0.1	30	
MMSZ5260	M5	43	3.0	93	900	0.25	+ 0.095	0.1	33	
MMSZ5261	N1	47	2.7	105	1000	0.25	+ 0.095	0.1	36	
MMSZ5262	N2	51	2.5	125	1100	0.25	+ 0.096	0.1	39	
MMSZ5263	N3	56	2.2	150	1300	0.25	+ 0.096	0.1	43	
MMSZ5264	N4	60	2.1	170	1400	0.25	+ 0.097	0.1	46	
MMSZ5265	N5	62	2.0	185	1400	0.25	+ 0.097	0.1	47	
MMSZ5266	P1	68	1.8	230	1600	0.25	+ 0.097	0.1	52	
MMSZ5267	P2	75	1.7	270	1700	0.25	+ 0.098	0.1	56	



SOD-123FL

**500mW Surface Mount Zener Diodes**  
**MMSZ Series / SOD-123FL**

TYPE	MARKING CODE	Zener Voltage			Leakage Current		Case Style
		V <sub>Z</sub> (V) @I <sub>ZT</sub> =50μA			I <sub>R</sub> @V <sub>R</sub>		
		Typ	Min	Max	μA	V	
MMSZ4684-V	CK	3.3	3.14	3.47	7.5	1.5	SOD-123FL
MMSZ4685-V	CM	3.6	3.42	3.78	7.5	2	
MMSZ4686-V	CN	3.9	3.71	4.1	5	2	
MMSZ4687-V	CP	4.3	4.09	4.52	4	2	
MMSZ4688-V	CT	4.7	4.47	4.94	10	3	
MMSZ4689-V	CU	5.1	4.85	5.36	10	3	
MMSZ4690-V	CV	5.6	5.32	5.88	10	4	
MMSZ4691-V	CA	6.2	5.89	6.51	10	5	
MMSZ4692-V	CX	6.8	6.46	7.14	10	5.1	
MMSZ4693-V	CY	7.5	7.13	7.88	10	5.7	
MMSZ4694-V	CZ	8.2	7.79	8.61	1	6.2	
MMSZ4695-V	DC	8.7	8.27	9.14	1	6.6	
MMSZ4696-V	DD	9.1	8.65	9.56	1	6.9	
MMSZ4697-V	DE	10	9.5	10.5	1	7.6	
MMSZ4698-V	DF	11	10.5	11.6	0.05	8.4	
MMSZ4699-V	DH	12	11.4	12.6	0.05	9.1	
MMSZ4700-V	DJ	13	12.4	13.7	0.05	9.8	
MMSZ4701-V	DK	14	13.3	14.7	0.05	10.6	
MMSZ4702-V	DM	15	14.3	15.8	0.05	11.4	
MMSZ4703-V	DN	16	15.2	16.8	0.05	12.1	
MMSZ4704-V	DP	17	16.2	17.9	0.05	12.9	
MMSZ4705-V	DT	18	17.1	18.9	0.05	13.6	
MMSZ4706-V	DU	19	18.1	20	0.05	14.4	
MMSZ4707-V	DV	20	19	21	0.01	15.2	
MMSZ4708-V	DA	22	20.9	23.1	0.01	16.7	
MMSZ4709-V	DZ	24	22.8	25.2	0.01	18.2	
MMSZ4710-V	DY	25	23.8	26.3	0.01	19	
MMSZ4711-V	EA	27	25.7	28.4	0.01	20.4	
MMSZ4712-V	EC	28	26.6	29.4	0.01	21.2	
MMSZ4713-V	ED	30	28.5	31.5	0.01	22.8	
MMSZ4714-V	EE	33	31.4	34.7	0.01	25	
MMSZ4715-V	EF	36	34.2	37.8	0.01	27.3	
MMSZ4716-V	EH	39	37.1	41	0.01	29.6	
MMSZ4717-V	EJ	43	40.9	45.2	0.01	32.6	



## 1 W Surface Mount Zener Diode DZL4728~DZL4764 / SOD-123FL

TYPE	Marking Code	$V_Z@I_{ZT}$	$I_{ZT}$	$Z_{ZT}@I_{ZT}$	$Z_{ZK}@I_{ZK}$	$I_{ZK}$	$I_R@V_R$	$V_R$	Surge Current	Case Style
		V	mA	$\Omega$	$\Omega$	mA	$\mu A$	V	mA	
DZL4728	3P3	3.3	76	10	400	1	100	1	1380	SOD-123FL
DZL4729	3P6	3.6	69	10	400	1	100	1	1260	
DZL4730	3P9	3.9	64	9	400	1	50	1	1190	
DZL4731	4P3	4.3	58	9	400	1	10	1	1070	
DZL4732	4P7	4.7	53	8	500	1	10	1	970	
DZL4733	5P1	5.1	49	7	550	1	10	1	890	
DZL4734	5P6	5.6	45	5	600	1	10	2	810	
DZL4735	6P2	6.2	41	2	700	1	10	3	730	
DZL4736	6P8	6.8	37	3.5	700	1	10	4	660	
DZL4737	7P5	7.5	34	4	700	0.5	10	5	605	
DZL4738	8P2	8.2	31	4.5	700	0.5	10	6	550	
DZL4739	9P1	9.1	28	5	700	0.5	10	7	500	
DZL4740	10	10	25	7	700	0.25	10	7.6	454	
DZL4741	11	11	23	8	700	0.25	5	8.4	414	
DZL4742	12	12	21	9	700	0.25	5	9.1	380	
DZL4743	13	13	19	10	700	0.25	5	9.9	344	
DZL4744	15	15	17	14	700	0.25	5	11.4	305	
DZL4745	16	16	15.5	16	700	0.25	5	12.2	285	
DZL4746	18	18	14.0	20	750	0.25	5	13.7	250	
DZL4747	20	20	12.5	22	750	0.25	5	15.2	225	
DZL4748	22	22	11.5	23	750	0.25	5	16.7	205	
DZL4749	24	24	10.5	25	750	0.25	5	18.2	190	
DZL4750	27	27	9.5	35	750	0.25	5	20.6	170	
DZL4751	30	30	8.5	40	1000	0.25	5	22.8	150	
DZL4752	33	33	7.5	45	1000	0.25	5	25.1	135	
DZL4753	36	36	7.0	50	1000	0.25	5	27.4	125	
DZL4754	39	39	6.5	60	1000	0.25	5	29.7	115	
DZL4755	43	43	6.0	70	1500	0.25	5	32.7	110	
DZL4756	47	47	5.5	80	1500	0.25	5	35.8	95	
DZL4757	51	51	5.0	95	1500	0.25	5	38.8	90	
DZL4758	56	56	4.5	110	2000	0.25	5	42.6	80	
DZL4759	62	62	4.0	125	2000	0.25	5	47.1	70	
DZL4760	68	68	3.7	150	2000	0.25	5	51.7	65	
DZL4761	75	75	3.3	175	2000	0.25	5	56	60	
DZL4762	82	82	3.0	200	3000	0.25	5	62.2	55	
DZL4763	91	91	2.8	250	3000	0.25	5	69.2	50	
DZL4764	100	100	2.5	350	3000	0.25	5	76	45	



SOD-123FL

**Note:**

Surge current is a non-repetitive, 8.3 ms pulse width square wave or equivalent sine-wave superimposed on  $I_{ZT}$  per JEDEC Method

**1 W Surface Mount Zener Diode**  
**SML4728~SML4764 / SMA**

TYPE	Marking Code	$V_Z@I_{ZT}$	$I_{ZT}$	$Z_{ZT}@I_{ZT}$	$Z_{ZK}@I_{ZK}$	$I_{ZK}$	$I_R@V_R$	$V_R$	Surge Current	Case Style
		V	mA	$\Omega$	$\Omega$	mA	$\mu A$	V	mA	
SML4728	3P3	3.3	76	10	400	1	100	1	1380	SMA
SML4729	3P6	3.6	69	10	400	1	100	1	1260	
SML4730	3P9	3.9	64	9	400	1	50	1	1190	
SML4731	4P3	4.3	58	9	400	1	10	1	1070	
SML4732	4P7	4.7	53	8	500	1	10	1	970	
SML4733	5P1	5.1	49	7	550	1	10	1	890	
SML4734	5P6	5.6	45	5	600	1	10	2	810	
SML4735	6P2	6.2	41	2	700	1	10	3	730	
SML4736	6P8	6.8	37	3.5	700	1	10	4	660	
SML4737	7P5	7.5	34	4	700	0.5	10	5	605	
SML4738	8P2	8.2	31	4.5	700	0.5	10	6	550	
SML4739	9P1	9.1	28	5	700	0.5	10	7	500	
SML4740	10	10	25	7	700	0.25	10	7.6	454	
SML4741	11	11	23	8	700	0.25	5	8.4	414	
SML4742	12	12	21	9	700	0.25	5	9.1	380	
SML4743	13	13	19	10	700	0.25	5	9.9	344	
SML4744	15	15	17	14	700	0.25	5	11.4	305	
SML4745	16	16	15.5	16	700	0.25	5	12.2	285	
SML4746	18	18	14	20	750	0.25	5	13.7	250	
SML4747	20	20	12.5	22	750	0.25	5	15.2	225	
SML4748	22	22	11.5	23	750	0.25	5	16.7	205	
SML4749	24	24	10.5	25	750	0.25	5	18.2	190	
SML4750	27	27	9.5	35	750	0.25	5	20.6	170	
SML4751	30	30	8.5	40	1000	0.25	5	22.8	150	
SML4752	33	33	7.5	45	1000	0.25	5	25.1	135	
SML4753	36	36	7	50	1000	0.25	5	27.4	125	
SML4754	39	39	6.5	60	1000	0.25	5	29.7	115	
SML4755	43	43	6	70	1500	0.25	5	32.7	110	
SML4756	47	47	5.5	80	1500	0.25	5	35.8	95	
SML4757	51	51	5	95	1500	0.25	5	38.8	90	
SML4758	56	56	4.5	110	2000	0.25	5	42.6	80	
SML4759	62	62	4	125	2000	0.25	5	47.1	70	
SML4760	68	68	3.7	150	2000	0.25	5	51.7	65	
SML4761	75	75	3.3	175	2000	0.25	5	56	60	
SML4762	82	82	3	200	3000	0.25	5	62.2	55	
SML4763	91	91	2.8	250	3000	0.25	5	69.2	50	
SML4764	100	100	2.5	350	3000	0.25	5	76	45	


**Note:**

Surge current is a non-repetitive, 8.3 ms pulse width square wave or equivalent sine-wave superimposed on  $I_{ZT}$  per JEDEC Method

**1.5 W Surface Mount Zener Diode**  
**SMZJ3788~SMZJ3809B / SMB**

TYPE	DEVICE MARKING CODE	Nom. $V_Z$	Zener Impedance				Leakage Current		$I_{ZM}$	Case Style
		$V_Z@I_{ZT}$	$Z_{ZT}@I_{ZT}$		$Z_{ZK}@I_{ZK}$		$I_R@V_R$			
		V	$\Omega$	mA	$\Omega$	mA	$\mu A$	V	mA(dc)	
SMZJ3788A, B	VK,L	9.1	4.0	41.2	1000	0.50	50	7.0	140	SMB
SMZJ3789A, B	WA,B	10	5.0	37.5	1000	0.25	50	7.6	125	
SMZJ3790A, B	WC,D	11	6.0	34.1	650	0.25	10	8.4	115	
SMZJ3791A, B	WE,F	12	7.0	31.2	550	0.25	5.0	9.1	105	
SMZJ3792A, B	WG,H	13	7.5	28.8	550	0.25	5.0	9.9	98	
SMZJ3793A, B	WI,J	15	9.0	25.0	600	0.25	5.0	11.4	85	
SMZJ3794A, B	WK,L	16	10.0	23.4	600	0.25	5.0	12.2	80	
SMZJ3795A, B	XA,B	18	12.0	20.8	650	0.25	5.0	13.7	70	
SMZJ3796A, B	XC,D	20	14.0	18.7	650	0.25	5.0	15.2	62	
SMZJ3797A, B	XE,F	22	17.5	17.0	650	0.25	5.0	16.7	56	
SMZJ3798A, B	XG,H	24	19.0	15.6	700	0.25	5.0	18.2	51	
SMZJ3799A, B	XI,J	27	23.0	13.9	700	0.25	5.0	20.6	46	
SMZJ3800A, B	XK,L	30	26.0	12.5	750	0.25	5.0	22.8	41	
SMZJ3801A, B	YA,B	33	33.0	11.4	800	0.25	5.0	25.1	38	
SMZJ3802A, B	YC,D	36	38.0	10.4	850	0.25	5.0	27.4	35	
SMZJ3803A, B	YE,F	39	45.0	9.6	900	0.25	5.0	29.7	31	
SMZJ3804A, B	YG,H	43	53.0	8.7	950	0.25	5.0	32.7	28	
SMZJ3805A, B	YI,J	47	67.0	8.0	1000	0.25	5.0	35.8	26	
SMZJ3806A, B	YK,L	51	70.0	7.3	1100	0.25	5.0	38.8	24	
SMZJ3807A, B	ZA,B	56	86.0	6.7	1300	0.25	5.0	42.6	22	
SMZJ3808A, B	ZC,D	62	100.0	6.0	1500	0.25	5.0	47.1	20	
SMZJ3809A, B	ZE,F	68	120.0	5.5	1700	0.25	5.0	51.7	18	



SMB

**Note:**

Suffix "A" denotes  $\pm 10\%$  and suffix "B" denotes  $\pm 5\%$

**1.5 W Surface Mount Zener Diode**  
**SMAZ5919B~SMAZ5945B / SMA**

TYPE	DEVICE MARKING CODE	Zener Voltage			Zener Impedance				Leakage Current		$I_{ZM}$ mA(dc)	Case Style
		$V_Z(V)@I_{ZT}$			$Z_{ZT}@I_{ZT}$		$Z_{ZK}@I_{ZK}$		$I_R@V_R$			
		Min	Nom	Max	$\Omega$	mA	$\Omega$	mA	$\mu A$	V		
SMAZ5919B	19B	5.32	5.6	5.88	5	66.9	700	1	200	3	268	SMA
SMAZ5920B	20B	5.89	6.2	6.51	2	60.5	700	1	200	4	242	
SMAZ5921B	21B	6.46	6.8	7.14	2.5	55.1	400	1	200	5.2	221	
SMAZ5923B	23B	7.79	8.2	8.61	5	45.7	700	0.5	10	6.5	183	
SMAZ5924B	24B	8.64	9.1	9.56	5	41.2	700	0.5	10	7.0	165	
SMAZ5925B	25B	9.5	10	10.5	5	37.5	700	0.25	10	8.0	150	
SMAZ5926B	26B	10.5	11	11.6	5.5	34.1	550	0.25	5	8.4	136	
SMAZ5927B	27B	11.4	12	12.6	6.5	31.2	550	0.25	1	9.1	125	
SMAZ5928B	28B	12.4	13	13.7	7.0	28.8	550	0.25	1	9.9	115	
SMAZ5929B	29B	14.3	15	15.8	9.0	25.0	600	0.25	1	11.4	100	
SMAZ5930B	30B	15.2	16	16.8	10.0	23.4	600	0.25	1	12.2	94	
SMAZ5931B	31B	17.1	18	18.9	12.0	20.8	650	0.25	1	13.7	83	
SMAZ5932B	32B	19.0	20	21.0	14.0	18.7	650	0.25	1	15.2	75	
SMAZ5933B	33B	20.9	22	23.1	17.5	17.0	650	0.25	1	16.7	68	
SMAZ5934B	34B	22.8	24	25.2	19.0	15.6	700	0.25	1	18.2	62	
SMAZ5935B	35B	25.7	27	28.4	23.0	13.9	700	0.25	1	20.6	56	
SMAZ5936B	36B	28.5	30	31.5	28.0	12.5	750	0.25	1	22.8	50	
SMAZ5937B	37B	31.4	33	34.7	33.0	11.4	800	0.25	1	25.1	45	
SMAZ5938B	38B	34.2	36	37.8	38.0	10.4	850	0.25	1	27.4	42	
SMAZ5939B	39B	37.1	39	41.0	45.0	9.6	900	0.25	1	29.7	38	
SMAZ5940B	40B	40.9	43	45.2	53.0	8.7	950	0.25	1	32.7	35	
SMAZ5941B	41B	44.6	47	49.4	67	8.0	1000	0.25	1	35.8	32	
SMAZ5942B	42B	48.4	51	53.6	70	7.3	1100	0.25	1	38.8	29	
SMAZ5943B	43B	53.2	56	58.8	86	6.7	1300	0.25	1	42.6	27	
SMAZ5944B	44B	58.9	62	65.1	100	6.0	1500	0.25	1	47.1	24	
SMAZ5945B	45B	64.6	68	71.4	120	5.5	1700	0.25	1	51.7	22	



SMA

## 3 W Surface Mount Zener Diode SMBZ5919B~SMBZ5945B / SMB

TYPE	DEVICE MARKING CODE	Zener Voltage			Zener Impedance				Leakage Current		$I_{ZM}$ mA(dc)	Case Style
		$V_Z(V)@I_{ZT}$			$Z_{ZT}@I_{ZT}$		$Z_{ZK}@I_{ZK}$		$I_R@V_R$			
		Min	Nom	Max	$\Omega$	mA	$\Omega$	mA	$\mu A$	V		
SMBZ5919B	19B	5.32	5.6	5.88	5	66.9	700	1	200	3	267	SMB
SMBZ5920B	20B	5.89	6.2	6.51	2	60.5	700	1	200	4	241	
SMBZ5921B	21B	6.46	6.8	7.14	2.5	55.1	400	1	200	5.2	220	
SMBZ5924B	24B	8.64	9.1	9.56	4.0	41.2	1000	0.5	25	7.0	164	
SMBZ5925B	25B	9.5	10	10.5	4.5	37.5	1000	0.25	25	8.0	150	
SMBZ5926B	26B	10.5	11	11.6	5.5	34.1	550	0.25	5	8.4	136	
SMBZ5927B	27B	11.4	12	12.6	6.5	31.2	550	0.25	1	9.1	125	
SMBZ5928B	28B	12.4	13	13.7	7.0	28.8	550	0.25	1	9.9	115	
SMBZ5929B	29B	14.3	15	15.8	9.0	25.0	600	0.25	1	11.4	100	
SMBZ5930B	30B	15.2	16	16.8	10.0	23.4	600	0.25	1	12.2	93	
SMBZ5931B	31B	17.1	18	18.9	12.0	20.8	650	0.25	1	13.7	83	
SMBZ5932B	32B	19.0	20	21.0	14.0	18.7	650	0.25	1	15.2	75	
SMBZ5933B	33B	20.9	22	23.1	17.5	17.0	650	0.25	1	16.7	68	
SMBZ5934B	34B	22.8	24	25.2	19.0	15.6	700	0.25	1	18.2	62	
SMBZ5935B	35B	25.7	27	28.4	23.0	13.9	700	0.25	1	20.6	55	
SMBZ5936B	36B	28.5	30	31.5	28.0	12.5	750	0.25	1	22.8	50	
SMBZ5937B	37B	31.4	33	34.7	33.0	11.4	800	0.25	1	25.1	45	
SMBZ5938B	38B	34.2	36	37.8	38.0	10.4	850	0.25	1	27.4	41	
SMBZ5939B	39B	37.1	39	41.0	45.0	9.6	900	0.25	1	29.7	38	
SMBZ5940B	40B	40.9	43	45.2	53.0	8.7	950	0.25	1	32.7	34	
SMBZ5941B	41B	44.6	47	49.4	67	8.0	1000	0.25	1	35.8	31	
SMBZ5942B	42B	48.4	51	53.6	70	7.3	1100	0.25	1	38.8	29	
SMBZ5943B	43B	53.2	56	58.8	86	6.7	1300	0.25	1	42.6	26	
SMBZ5944B	44B	58.9	62	65.1	100	6.0	1500	0.25	1	47.1	24	
SMBZ5945B	45B	64.6	68	71.4	120	5.5	1700	0.25	1	51.7	22	



SMB

**Thyristor Surge Protective Device**  
**PxxxxS series / SMB**

TYPE	$I_{PP}$	$V_{DRM}$	$I_{DRM}$	$V_{BO}$	$I_{BO}$	$V_T$	$I_H$	$C_O$	Case Style
	10/1000 $\mu$ S	Max	@ $V_{DRM}$	@ $I_{BO}$	Max	@ $I_T=2.2A$	Min	@ $V_R=2V$	
	A	V	$\mu$ A	V	mA	V	mA	pF	
P0080SA	50	6	5	25	800	4	50	150	SMB
P0220SA	50	15	5	32	800	4	50	150	
P0300SA	50	25	5	40	800	4	50	140	
P0640SA	50	58	5	77	800	4	150	60	
P0720SA	50	65	5	88	800	4	150	60	
P0900SA	50	75	5	98	800	4	150	55	
P1100SA	50	90	5	130	800	4	150	50	
P1300SA	50	120	5	160	800	4	150	45	
P1500SA	50	140	5	180	800	4	150	40	
P1800SA	50	160	5	220	800	4	150	35	
P2100SA	50	180	5	240	800	4	150	35	
P2300SA	50	190	5	260	800	4	150	35	
P2600SA	50	220	5	300	800	4	150	35	
P3100SA	50	275	5	350	800	4	150	35	
P3500SA	50	320	5	400	800	4	150	35	
P0080SB	80	6	5	25	800	4	50	150	SMB
P0220SB	80	15	5	32	800	4	50	150	
P0300SB	80	25	5	40	800	4	50	140	
P0640SB	80	58	5	77	800	4	150	60	
P0720SB	80	65	5	88	800	4	150	75	
P0900SB	80	75	5	98	800	4	150	70	
P1100SB	80	90	5	130	800	4	150	70	
P1300SB	80	120	5	160	800	4	150	60	
P1500SB	80	140	5	180	800	4	150	55	
P1800SB	80	160	5	220	800	4	150	50	
P2100SB	80	180	5	240	800	4	150	35	
P2300SB	80	190	5	260	800	4	150	50	
P2600SB	80	220	5	300	800	4	150	45	
P3100SB	80	275	5	350	800	4	150	45	
P3500SB	80	320	5	400	800	4	150	40	
P0080SC	100	6	5	25	800	4	50	260	SMB
P0220SC	100	15	5	32	800	4	50	240	
P0300SC	100	25	5	40	800	4	50	250	
P0640SC	100	58	5	77	800	4	150	155	
P0720SC	100	65	5	88	800	4	150	150	
P0900SC	100	75	5	98	800	4	150	140	
P1100SC	100	90	5	130	800	4	150	115	
P1300SC	100	120	5	160	800	4	150	105	
P1500SC	100	140	5	180	800	4	150	95	
P1800SC	100	160	5	220	800	4	150	90	
P2100SC	100	180	5	240	800	4	150	90	
P2300SC	100	190	5	260	800	4	150	80	
P2600SC	100	220	5	300	800	4	150	80	
P3100SC	100	275	5	350	800	4	150	70	
P3500SC	100	320	5	400	800	4	150	65	



SMB



## Bridge Rectifiers 0.5A~1A Series Case:MBF&MBS&MBF-S&ABS

TYPE	$I_{F(AV)}$	$V_{RRM}$	$I_{FSM}$	$V_F @ I_F$		$I_{RM} @ V_{RRM}$	$t_{rr}$	Case Style
	A	V	A	V	A	$\mu A$	nS	

### 0.5Ampere/MBS

MB05S	0.5/0.8	50	30	1.00	0.4	5.0	-	MBS
MB1S	0.5/0.8	100	30	1.00	0.4	5.0	-	
MB2S	0.5/0.8	200	30	1.00	0.4	5.0	-	
MB4S	0.5/0.8	400	30	1.00	0.4	5.0	-	
MB6S	0.5/0.8	600	30	1.00	0.4	5.0	-	
MB8S	0.5/0.8	800	30	1.00	0.4	5.0	-	
MB10S	0.5/0.8	1000	30	1.00	0.4	5.0	-	

### 1.0Ampere/MBS

MB105S	1.0	50	35	1.00	0.5	5.0	-	MBS
MB11S	1.0	100	35	1.00	0.5	5.0	-	
MB12S	1.0	200	35	1.00	0.5	5.0	-	
MB14S	1.0	400	35	1.00	0.5	5.0	-	
MB16S	1.0	600	35	1.00	0.5	5.0	-	
MB18S	1.0	800	35	1.00	0.5	5.0	-	
MB0110S	1.0	1000	35	1.00	0.5	5.0	-	

### 0.5Ampere/MBF-S

MB05F	0.5/0.8	50	30	1.00	0.4	5.0	-	MBF-S
MB1F	0.5/0.8	100	30	1.00	0.4	5.0	-	
MB2F	0.5/0.8	200	30	1.00	0.4	5.0	-	
MB4F	0.5/0.8	400	30	1.00	0.4	5.0	-	
MB6F	0.5/0.8	600	30	1.00	0.4	5.0	-	
MB8F	0.5/0.8	800	30	1.00	0.4	5.0	-	
MB10F	0.5/0.8	1000	30	1.00	0.4	5.0	-	

### 0.5Ampere/ABS

ABS05	0.5/0.8	50	30	1.00	0.4	5.0	-	ABS
ABS1	0.5/0.8	100	30	1.00	0.4	5.0	-	
ABS2	0.5/0.8	200	30	1.00	0.4	5.0	-	
ABS4	0.5/0.8	400	30	1.00	0.4	5.0	-	
ABS6	0.5/0.8	600	30	1.00	0.4	5.0	-	
ABS8	0.5/0.8	800	30	1.00	0.4	5.0	-	
ABS10	0.5/0.8	1000	30	1.00	0.4	5.0	-	

### 1.0Ampere/ABS

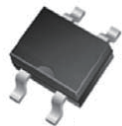
ABS105	1.0	50	35	1.00	0.5	5.0	-	ABS
ABS11	1.0	100	35	1.00	0.5	5.0	-	
ABS12	1.0	200	35	1.00	0.5	5.0	-	
ABS14	1.0	400	35	1.00	0.5	5.0	-	
ABS16	1.0	600	35	1.00	0.5	5.0	-	
ABS18	1.0	800	35	1.00	0.5	5.0	-	
ABS110	1.0	1000	35	1.00	0.5	5.0	-	

### 1.0Ampere Fast Recovery/MBF

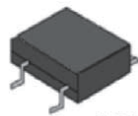
RMB2F	0.5/0.8	200	30	1.25	0.4	5.0	150	MBF
RMB4F	0.5/0.8	400	30	1.25	0.4	5.0	150	
RMB6F	0.5/0.8	600	30	1.25	0.4	5.0	250	



MBS



MBF-S



ABS



MBF

**Schottky Bridge Rectifiers  
General & Low VF Series Case:MBF**

TYPE	$I_{F(AV)}$	$V_{RRM}$	$I_{FSM}$	$V_F @ I_F$		$I_{RM} @ V_{RRM}$	$t_{rr}$	Case Style
	A	V	A	V	A	$\mu A$	nS	

**0.5Ampere/UMBF**

UMB05F	0.5	50	20	1.1	0.5	5.0	-	SOF2-4
UMB1F	0.5	100	20	1.1	0.5	5.0	-	
UMB2F	0.5	200	20	1.1	0.5	5.0	-	
UMB4F	0.5	400	20	1.1	0.5	5.0	-	
UMB6F	0.5	600	20	1.1	0.5	5.0	-	
UMB8F	0.5	800	20	1.1	0.5	5.0	-	
UMB10F	0.5	1000	20	1.1	0.5	5.0	-	

**1.0Ampere Fast Recovery/MBF**

RMB12F	1.0	200	30	1.25	1.0	5.0	150	MBF
RMB14F	1.0	400	30	1.25	1.0	5.0	150	
RMB16F	1.0	600	30	1.25	1.0	5.0	250	

**0.5Ampere/MBF**

MB05F	0.5/0.8	50	25	1.0	0.4	5.0	-	MBF
MB1F	0.5/0.8	100	25	1.0	0.4	5.0	-	
MB2F	0.5/0.8	200	25	1.0	0.4	5.0	-	
MB4F	0.5/0.8	400	25	1.0	0.4	5.0	-	
MB6F	0.5/0.8	600	25	1.0	0.4	5.0	-	
MB8F	0.5/0.8	800	25	1.0	0.4	5.0	-	
MB10F	0.5/0.8	1000	25	1.0	0.4	5.0	-	

**1.0Ampere/MBF**

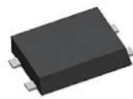
MB105F	1.0	50	35	1.1	1.0	5.0	-	MBF
MB11F	1.0	100	35	1.1	1.0	5.0	-	
MB12F	1.0	200	35	1.1	1.0	5.0	-	
MB14F	1.0	400	35	1.1	1.0	5.0	-	
MB16F	1.0	600	35	1.1	1.0	5.0	-	
MB18F	1.0	800	35	1.1	1.0	5.0	-	
MB110F	1.0	1000	35	1.1	1.0	5.0	-	

**1.0Ampere Schottky/MBF**

KMB12F	1.0	20	30	0.5	1.0	500.0	-	MBF
KMB14F	1.0	40	30	0.55	1.0	500.0	-	
KMB16F	1.0	60	30	0.7	1.0	500.0	-	
KMB18F	1.0	80	30	0.85	1.0	500.0	-	
KMB110F	1.0	100	30	0.85	1.0	500.0	-	

**2.0Ampere Schottky/MBF**

KMB22F	2.0	20	50	0.5	2.0	500.0	-	MBF
KMB24F	2.0	40	50	0.55	2.0	500.0	-	
KMB26F	2.0	60	50	0.7	2.0	500.0	-	
KMB28F	2.0	80	50	0.85	2.0	500.0	-	
KMB210F	2.0	100	50	0.85	2.0	500.0	-	


**SOF2-4**

**MBF**

Note:

 (1) On glass epoxy P.C.B. mounted on 0.05×0.05" pads,  $I_{F(AV)}=0.5A$  Max.

 (2) On aluminum substrate P.C.B. with an area of 0.8×0.8" mounted on 0.05×0.05" solder pad,  $I_{F(AV)}=0.8A$  Max.

## Bridge Rectifiers

1.0A~2A Series Case: DB-1 & DB-S

TYPE	$I_{F(AV)}$	$V_{RRM}$	$I_{FSM}$	$V_F @ I_F$		$I_{RM} @ V_{RRM}$	Case Style
	A	V	A	V	A	$\mu A$	

### 1.0 Ampere / DB-1

DB101	1.0	50	40	1.1	1.0	10.0	DB-1
DB102	1.0	100	40	1.1	1.0	10.0	
DB103	1.0	200	40	1.1	1.0	10.0	
DB104	1.0	400	40	1.1	1.0	10.0	
DB105	1.0	600	40	1.1	1.0	10.0	
DB106	1.0	800	40	1.1	1.0	10.0	
DB107	1.0	1000	40	1.1	1.0	10.0	

### 1.0 Ampere / DB-S

DB101S	1.0	50	40	1.1	1.0	10.0	DB-S
DB102S	1.0	100	40	1.1	1.0	10.0	
DB103S	1.0	200	40	1.1	1.0	10.0	
DB104S	1.0	400	40	1.1	1.0	10.0	
DB105S	1.0	600	40	1.1	1.0	10.0	
DB106S	1.0	800	40	1.1	1.0	10.0	
DB107S	1.0	1000	40	1.1	1.0	10.0	

### 1.5 Ampere / DB-1

DB151	1.5	50	60	1.1	1.5	10.0	DB-1
DB152	1.5	100	60	1.1	1.5	10.0	
DB153	1.5	200	60	1.1	1.5	10.0	
DB154	1.5	400	60	1.1	1.5	10.0	
DB155	1.5	600	60	1.1	1.5	10.0	
DB156	1.5	800	60	1.1	1.5	10.0	
DB157	1.5	1000	60	1.1	1.5	10.0	

### 1.5 Ampere / DB-S

DB151S	1.5	50	60	1.1	1.5	10.0	DB-S
DB152S	1.5	100	60	1.1	1.5	10.0	
DB153S	1.5	200	60	1.1	1.5	10.0	
DB154S	1.5	400	60	1.1	1.5	10.0	
DB155S	1.5	600	60	1.1	1.5	10.0	
DB156S	1.5	800	60	1.1	1.5	10.0	
DB157S	1.5	1000	60	1.1	1.5	10.0	

### 2.0 Ampere / DB-1

DB201	2.0	50	80	1.1	2.0	10.0	DB-1
DB202	2.0	100	80	1.1	2.0	10.0	
DB203	2.0	200	80	1.1	2.0	10.0	
DB204	2.0	400	80	1.1	2.0	10.0	
DB205	2.0	600	80	1.1	2.0	10.0	
DB206	2.0	800	80	1.1	2.0	10.0	
DB207	2.0	1000	80	1.1	2.0	10.0	

### 2.0 Ampere / DB-S

DB201S	2.0	50	60	1.1	2.0	10.0	DB-S
DB202S	2.0	100	60	1.1	2.0	10.0	
DB203S	2.0	200	60	1.1	2.0	10.0	
DB204S	2.0	400	60	1.1	2.0	10.0	
DB205S	2.0	600	60	1.1	2.0	10.0	
DB206S	2.0	800	60	1.1	2.0	10.0	
DB207S	2.0	1000	60	1.1	2.0	10.0	



**Bridge Rectifiers**  
**2.0A~10A Series Case:D3K**

TYPE	$I_{F(AV)}$	$V_{RRM}$	$I_{FSM}$	$V_F @ I_F$		$I_{RM} @ V_{RRM}$	Case Style
	A	V	A	V	A	$\mu A$	

**2.0Ampere /D3K**

UG2KB05	2.0	50	50	1.1	2.0	5.0	D3K
UG2KB10	2.0	100	50	1.1	2.0	5.0	
UG2KB20	2.0	200	50	1.1	2.0	5.0	
UG2KB40	2.0	400	50	1.1	2.0	5.0	
UG2KB60	2.0	600	50	1.1	2.0	5.0	
UG2KB80	2.0	800	50	1.1	2.0	5.0	
UG2KB100	2.0	1000	50	1.1	2.0	5.0	

**3.0Ampere /D3K**

UG3KB05	3.0	50	60	1.1	3.0	5.0	D3K
UG3KB10	3.0	100	60	1.1	3.0	5.0	
UG3KB20	3.0	200	60	1.1	3.0	5.0	
UG3KB40	3.0	400	60	1.1	3.0	5.0	
UG3KB60	3.0	600	60	1.1	3.0	5.0	
UG3KB80	3.0	800	60	1.1	3.0	5.0	
UG3KB100	3.0	1000	60	1.1	3.0	5.0	

**4.0Ampere /D3K**

UG4KB05	4.0	50	125	1.1	4.0	5.0	D3K
UG4KB10	4.0	100	125	1.1	4.0	5.0	
UG4KB20	4.0	200	125	1.1	4.0	5.0	
UG4KB40	4.0	400	125	1.1	4.0	5.0	
UG4KB60	4.0	600	125	1.1	4.0	5.0	
UG4KB80	4.0	800	125	1.1	4.0	5.0	
UG4KB100	4.0	1000	125	1.1	4.0	5.0	

**6.0Ampere /D3K**

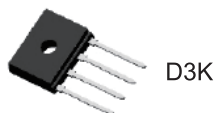
UG6KB05	6.0	50	150	1.1	6.0	5.0	D3K
UG6KB10	6.0	100	150	1.1	6.0	5.0	
UG6KB20	6.0	200	150	1.1	6.0	5.0	
UG6KB40	6.0	400	150	1.1	6.0	5.0	
UG6KB60	6.0	600	150	1.1	6.0	5.0	
UG6KB80	6.0	800	150	1.1	6.0	5.0	
UG6KB100	6.0	1000	150	1.1	6.0	5.0	

**8.0Ampere /D3K**

UG8KB05	8.0	50	175	1.1	8.0	5.0	D3K
UG8KB10	8.0	100	175	1.1	8.0	5.0	
UG8KB20	8.0	200	175	1.1	8.0	5.0	
UG8KB40	8.0	400	175	1.1	8.0	5.0	
UG8KB60	8.0	600	175	1.1	8.0	5.0	
UG8KB80	8.0	800	175	1.1	8.0	5.0	
UG8KB100	8.0	1000	175	1.1	8.0	5.0	

**10.0Ampere /D3K**

UG10KB05	10.0	50	200	1.1	10.0	5.0	D3K
UG10KB10	10.0	100	200	1.1	10.0	5.0	
UG10KB20	10.0	200	200	1.1	10.0	5.0	
UG10KB40	10.0	400	200	1.1	10.0	5.0	
UG10KB60	10.0	600	200	1.1	10.0	5.0	
UG10KB80	10.0	800	200	1.1	10.0	5.0	
UG810B100	10.0	1000	200	1.1	10.0	5.0	


**D3K**

## Bridge Rectifiers

### 1.5A~6A Series Case: WOM & RB-15 & GBU

TYPE	$I_{F(AV)}$	$V_{RRM}$	$I_{FSM}$	$V_{FM}$		$I_{RM} @ V_{RRM}$ $T_A=25^\circ C$	Case Style
				$V_{FM}$	$I_F$		
	A	V	A	V	A	$\mu A$	

#### 1.5 Ampere / WOM

W005	1.5	50	50	1.1	1.0	10.0	WOM
W01	1.5	100	50	1.1	1.0	10.0	
W02	1.5	200	50	1.1	1.0	10.0	
W04	1.5	400	50	1.1	1.0	10.0	
W06	1.5	600	50	1.1	1.0	10.0	
W08	1.5	800	50	1.1	1.0	10.0	
W10	1.5	1000	50	1.1	1.0	10.0	

#### 1.5 Ampere / RB-15

RB151	1.5	50	50	1.0	1.0	10.0	RB-15
RB152	1.5	100	50	1.0	1.0	10.0	
RB153	1.5	200	50	1.0	1.0	10.0	
RB154	1.5	400	50	1.0	1.0	10.0	
RB155	1.5	600	50	1.0	1.0	10.0	
RB156	1.5	800	50	1.0	1.0	10.0	
RB157	1.5	1000	50	1.0	1.0	10.0	

#### 2.0 Ampere / WOM

2W005	2.0	50	50	1.1	1.0	10.0	WOM
2W01	2.0	100	50	1.1	1.0	10.0	
2W02	2.0	200	50	1.1	1.0	10.0	
2W04	2.0	400	50	1.1	1.0	10.0	
2W06	2.0	600	50	1.1	1.0	10.0	
2W08	2.0	800	50	1.1	1.0	10.0	
2W10	2.0	1000	50	1.1	1.0	10.0	

#### 4.0 Ampere / GBU

GBU4005	4.0	50	150	1.1	2.0	10.0	GBU
GBU401	4.0	100	150	1.1	2.0	10.0	
GBU402	4.0	200	150	1.1	2.0	10.0	
GBU404	4.0	400	150	1.1	2.0	10.0	
GBU406	4.0	600	150	1.1	2.0	10.0	
GBU408	4.0	800	150	1.1	2.0	10.0	
GBU410	4.0	1000	150	1.1	2.0	10.0	

#### 6.0 Ampere / GBU

GBU6005	6.0	50	175	1.1	3.0	10.0	GBU
GBU601	6.0	100	175	1.1	3.0	10.0	
GBU602	6.0	200	175	1.1	3.0	10.0	
GBU604	6.0	400	175	1.1	3.0	10.0	
GBU606	6.0	600	175	1.1	3.0	10.0	
GBU608	6.0	800	175	1.1	3.0	10.0	
GBU610	6.0	1000	175	1.1	3.0	10.0	



WOM



RB-15



GBU

**Bridge Rectifiers**
**8A~25A Series Case: GBU**

TYPE	I <sub>F(AV)</sub> A	V <sub>RRM</sub> V	I <sub>FSM</sub> A	V <sub>FM</sub>		I <sub>RM</sub> @ V <sub>RRM</sub>	Case Style
				V <sub>FM</sub> V	I <sub>F</sub> A	T <sub>A</sub> =25°C μA	

**8.0 Ampere / GBU**

GBU8005	8.0	50	200	1.1	4.0	10.0	GBU
GBU801	8.0	100	200	1.1	4.0	10.0	
GBU802	8.0	200	200	1.1	4.0	10.0	
GBU804	8.0	400	200	1.1	4.0	10.0	
GBU806	8.0	600	200	1.1	4.0	10.0	
GBU808	8.0	800	200	1.1	4.0	10.0	
GBU810	8.0	1000	200	1.1	4.0	10.0	

**10 Ampere / GBU**

GBU10005	10.0	50	200	1.1	5.0	10.0	GBU
GBU1001	10.0	100	200	1.1	5.0	10.0	
GBU1002	10.0	200	200	1.1	5.0	10.0	
GBU1004	10.0	400	200	1.1	5.0	10.0	
GBU1006	10.0	600	200	1.1	5.0	10.0	
GBU1008	10.0	800	200	1.1	5.0	10.0	
GBU1010	10.0	1000	200	1.1	5.0	10.0	

**15 Ampere / GBU**

GBU15005	15.0	50	220	1.1	7.5	10.0	GBU
GBU1501	15.0	100	220	1.1	7.5	10.0	
GBU1502	15.0	200	220	1.1	7.5	10.0	
GBU1504	15.0	400	220	1.1	7.5	10.0	
GBU1506	15.0	600	220	1.1	7.5	10.0	
GBU1508	15.0	800	220	1.1	7.5	10.0	
GBU1510	15.0	1000	220	1.1	7.5	10.0	

**20 Ampere / GBU**

GBU20005	20.0	50	240	1.1	10.0	10.0	GBU
GBU2001	20.0	100	240	1.1	10.0	10.0	
GBU2002	20.0	200	240	1.1	10.0	10.0	
GBU2004	20.0	400	240	1.1	10.0	10.0	
GBU2006	20.0	600	240	1.1	10.0	10.0	
GBU2008	20.0	800	240	1.1	10.0	10.0	
GBU2010	20.0	1000	240	1.1	10.0	10.0	

**25 Ampere / GBU**

GBU25005	25.0	50	300	1.1	12.5	10.0	GBU
GBU2501	25.0	100	300	1.1	12.5	10.0	
GBU2502	25.0	200	300	1.1	12.5	10.0	
GBU2504	25.0	400	300	1.1	12.5	10.0	
GBU2506	25.0	600	300	1.1	12.5	10.0	
GBU2508	25.0	800	300	1.1	12.5	10.0	
GBU2510	25.0	1000	300	1.1	12.5	10.0	



GBU

## Bridge Rectifiers

2A~6A Series Case: GBL & GBJ

TYPE	I <sub>F(AV)</sub> A	V <sub>R<sub>RM</sub></sub> V	I <sub>FSM</sub> A	V <sub>FM</sub>		I <sub>RM</sub> @ V <sub>R<sub>RM</sub></sub> T <sub>A</sub> =25°C μA	Case Style
				V <sub>FM</sub> V	I <sub>F</sub> A		

### 2.0 Ampere / GBL

GBL2005	2.0	50	80	1.1	1.0	10.0	GBL
GBL201	2.0	100	80	1.1	1.0	10.0	
GBL202	2.0	200	80	1.1	1.0	10.0	
GBL204	2.0	400	80	1.1	1.0	10.0	
GBL206	2.0	600	80	1.1	1.0	10.0	
GBL208	2.0	800	80	1.1	1.0	10.0	
GBL210	2.0	1000	80	1.1	1.0	10.0	

### 4.0 Ampere / GBL

GBL4005	4.0	50	130	1.1	2.0	10.0	GBL
GBL401	4.0	100	130	1.1	2.0	10.0	
GBL402	4.0	200	130	1.1	2.0	10.0	
GBL404	4.0	400	130	1.1	2.0	10.0	
GBL406	4.0	600	130	1.1	2.0	10.0	
GBL408	4.0	800	130	1.1	2.0	10.0	
GBL410	4.0	1000	130	1.1	2.0	10.0	

### 2.0 Ampere / GBJ2

GBJ2005	2.0	50	80	1.1	1.0	10.0	GBJ2
GBJ201	2.0	100	80	1.1	1.0	10.0	
GBJ202	2.0	200	80	1.1	1.0	10.0	
GBJ204	2.0	400	80	1.1	1.0	10.0	
GBJ206	2.0	600	80	1.1	1.0	10.0	
GBJ208	2.0	800	80	1.1	1.0	10.0	
GBJ210	2.0	1000	80	1.1	1.0	10.0	

### 4.0 Ampere / GBJ4

GBJ4005	4.0	50	120	1.1	2.0	10.0	GBJ4
GBJ401	4.0	100	120	1.1	2.0	10.0	
GBJ402	4.0	200	120	1.1	2.0	10.0	
GBJ404	4.0	400	120	1.1	2.0	10.0	
GBJ406	4.0	600	120	1.1	2.0	10.0	
GBJ408	4.0	800	120	1.1	2.0	10.0	
GBJ410	4.0	1000	120	1.1	2.0	10.0	

### 6.0 Ampere / GBJ6

GBJ6005	6.0	50	150	1.1	3.0	10.0	GBJ6
GBJ601	6.0	100	150	1.1	3.0	10.0	
GBJ602	6.0	200	150	1.1	3.0	10.0	
GBJ604	6.0	400	150	1.1	3.0	10.0	
GBJ606	6.0	600	150	1.1	3.0	10.0	
GBJ608	6.0	800	150	1.1	3.0	10.0	
GBJ610	6.0	1000	150	1.1	3.0	10.0	



GBL



GBJ2



GBJ4



GBJ6

**Bridge Rectifiers**
**8A~25A Series Case: GBJ**

TYPE	I <sub>F(AV)</sub> A	V <sub>RRM</sub> V	I <sub>FSM</sub> A	V <sub>FM</sub>		I <sub>RM</sub> @ V <sub>RRM</sub> T <sub>A</sub> =25°C μA	Case Style
				V <sub>FM</sub> V	I <sub>F</sub> A		

**8.0 Ampere / GBJ6**

GBJ8005	8.0	50	170	1.1	4.0	10.0	GBJ6
GBJ801	8.0	100	170	1.1	4.0	10.0	
GBJ802	8.0	200	170	1.1	4.0	10.0	
GBJ804	8.0	400	170	1.1	4.0	10.0	
GBJ806	8.0	600	170	1.1	4.0	10.0	
GBJ808	8.0	800	170	1.1	4.0	10.0	
GBJ810	8.0	1000	170	1.1	4.0	10.0	

**10.0 Ampere / GBL6**

GBJ10005	10.0	50	200	1.1	5.0	10.0	GBJ6
GBJ1001	10.0	100	200	1.1	5.0	10.0	
GBJ1002	10.0	200	200	1.1	5.0	10.0	
GBJ1004	10.0	400	200	1.1	5.0	10.0	
GBJ1006	10.0	600	200	1.1	5.0	10.0	
GBJ1008	10.0	800	200	1.1	5.0	10.0	
GBJ1010	10.0	1000	200	1.1	5.0	10.0	

**15 Ampere / GBJ6**

GBJ15005	15.0	50	220	1.1	7.5	10.0	GBJ6
GBJ1501	15.0	100	220	1.1	7.5	10.0	
GBJ1502	15.0	200	220	1.1	7.5	10.0	
GBJ1504	15.0	400	220	1.1	7.5	10.0	
GBJ1506	15.0	600	220	1.1	7.5	10.0	
GBJ1508	15.0	800	220	1.1	7.5	10.0	
GBJ1510	15.0	1000	220	1.1	7.5	10.0	

**20 Ampere / GBJ6**

GBJ20005	20.0	50	240	1.1	10.0	10.0	GBJ6
GBJ2001	20.0	100	240	1.1	10.0	10.0	
GBJ2002	20.0	200	240	1.1	10.0	10.0	
GBJ2004	20.0	400	240	1.1	10.0	10.0	
GBJ2006	20.0	600	240	1.1	10.0	10.0	
GBJ2008	20.0	800	240	1.1	10.0	10.0	
GBJ2010	20.0	1000	240	1.1	10.0	10.0	

**25 Ampere / GBJ6**

GBJ25005	25.0	50	300	1.1	12.5	10.0	GBJ6
GBJ2501	25.0	100	300	1.1	12.5	10.0	
GBJ2502	25.0	200	300	1.1	12.5	10.0	
GBJ2504	25.0	400	300	1.1	12.5	10.0	
GBJ2506	25.0	600	300	1.1	12.5	10.0	
GBJ2508	25.0	800	300	1.1	12.5	10.0	
GBJ2510	25.0	1000	300	1.1	12.5	10.0	



GBJ6



## Bridge Rectifiers

2A~35A Series Case: GBJ & GBP

TYPE	$I_{F(AV)}$ A	$V_{RRM}$ V	$I_{FSM}$ A	$V_{FM}$		$I_{RM} @ V_{RRM}$ $T_A=25^\circ C$ $\mu A$	Case Style
				$V_{FM}$ V	$I_F$ A		

35 Ampere / GBJ6

GBJ35005	35.0	50	400	1.1	17.5	10.0	GBJ6
GBJ3501	35.0	100	400	1.1	17.5	10.0	
GBJ3502	35.0	200	400	1.1	17.5	10.0	
GBJ3504	35.0	400	400	1.1	17.5	10.0	
GBJ3506	35.0	600	400	1.1	17.5	10.0	
GBJ3508	35.0	800	400	1.1	17.5	10.0	
GBJ3510	35.0	1000	400	1.1	17.5	10.0	

2.0 Ampere / GBP

GBP2005	2.0	50	80	1.1	1.0	10.0	GBP
GBP201	2.0	100	80	1.1	1.0	10.0	
GBP202	2.0	200	80	1.1	1.0	10.0	
GBP204	2.0	400	80	1.1	1.0	10.0	
GBP206	2.0	600	80	1.1	1.0	10.0	
GBP208	2.0	800	80	1.1	1.0	10.0	
GBP210	2.0	1000	80	1.1	1.0	10.0	



GBJ6



GBP

**Bridge Rectifiers**
**10A~50A Series Case: KBPC**

TYPE	I <sub>F(AV)</sub> A	V <sub>RRM</sub> V	I <sub>FSM</sub> A	V <sub>FM</sub>		I <sub>RM</sub> @ V <sub>RRM</sub>	Case Style
				V <sub>FM</sub> V	I <sub>F</sub> A	T <sub>A</sub> =25°C μA	

**10 Ampere / KBPC**

KBPC10005	10.0	50	120	1.1	5.0	10.0	KBPC
KBPC1001	10.0	100	120	1.1	5.0	10.0	
KBPC1002	10.0	200	120	1.1	5.0	10.0	
KBPC1004	10.0	400	120	1.1	5.0	10.0	
KBPC1006	10.0	600	120	1.1	5.0	10.0	
KBPC1008	10.0	800	120	1.1	5.0	10.0	
KBPC1010	10.0	1000	120	1.1	5.0	10.0	

**15 Ampere / KBPC**

KBPC15005	15.0	50	180	1.1	7.5	10.0	KBPC
KBPC1501	15.0	100	180	1.1	7.5	10.0	
KBPC1502	15.0	200	180	1.1	7.5	10.0	
KBPC1504	15.0	400	180	1.1	7.5	10.0	
KBPC1506	15.0	600	180	1.1	7.5	10.0	
KBPC1508	15.0	800	180	1.1	7.5	10.0	
KBPC1510	15.0	1000	180	1.1	7.5	10.0	

**25 Ampere / KBPC**

KBPC25005	25.0	50	300	1.1	12.5	10.0	KBPC
KBPC2501	25.0	100	300	1.1	12.5	10.0	
KBPC2502	25.0	200	300	1.1	12.5	10.0	
KBPC2504	25.0	400	300	1.1	12.5	10.0	
KBPC2506	25.0	600	300	1.1	12.5	10.0	
KBPC2508	25.0	800	300	1.1	12.5	10.0	
KBPC2510	25.0	1000	300	1.1	12.5	10.0	

**35 Ampere / KBPC**

KBPC35005	35.0	50	400	1.1	17.5	10.0	KBPC
KBPC3501	35.0	100	400	1.1	17.5	10.0	
KBPC3502	35.0	200	400	1.1	17.5	10.0	
KBPC3504	35.0	400	400	1.1	17.5	10.0	
KBPC3506	35.0	600	400	1.1	17.5	10.0	
KBPC3508	35.0	800	400	1.1	17.5	10.0	
KBPC3510	35.0	1000	400	1.1	17.5	10.0	

**50 Ampere / KBPC**

KBPC50005	50.0	50	500	1.1	25.0	10.0	KBPC
KBPC5001	50.0	100	500	1.1	25.0	10.0	
KBPC5002	50.0	200	500	1.1	25.0	10.0	
KBPC5004	50.0	400	500	1.1	25.0	10.0	
KBPC5006	50.0	600	500	1.1	25.0	10.0	
KBPC5008	50.0	800	500	1.1	25.0	10.0	
KBPC5010	50.0	1000	500	1.1	25.0	10.0	



KBPC

## Bridge Rectifiers

15A~50A Series Case: GBPC

TYPE	$I_{F(AV)}$ A	$V_{RRM}$ V	$I_{FSM}$ A	$V_{FM}$		$I_{RM} @ V_{RRM}$ $T_A=25^\circ C$ $\mu A$	Case Style
				$V_{FM}$ V	$I_F$ A		

### 15 Ampere / GBPC

GBPC15005	15.0	50	180	1.1	7.5	10.0	GBPC
GBPC1501	15.0	100	180	1.1	7.5	10.0	
GBPC1502	15.0	200	180	1.1	7.5	10.0	
GBPC1504	15.0	400	180	1.1	7.5	10.0	
GBPC1506	15.0	600	180	1.1	7.5	10.0	
GBPC1508	15.0	800	180	1.1	7.5	10.0	
GBPC1510	15.0	1000	180	1.1	7.5	10.0	

### 25 Ampere /GBPC

GBPC25005	25.0	50	300	1.1	12.5	10.0	GBPC
GBPC2501	25.0	100	300	1.1	12.5	10.0	
GBPC2502	25.0	200	300	1.1	12.5	10.0	
GBPC2504	25.0	400	300	1.1	12.5	10.0	
GBPC2506	25.0	600	300	1.1	12.5	10.0	
GBPC2508	25.0	800	300	1.1	12.5	10.0	
GBPC2510	25.0	1000	300	1.1	12.5	10.0	

### 35 Ampere /GBPC

GBPC35005	35.0	50	400	1.1	17.5	10.0	GBPC
GBPC3501	35.0	100	400	1.1	17.5	10.0	
GBPC3502	35.0	200	400	1.1	17.5	10.0	
GBPC3504	35.0	400	400	1.1	17.5	10.0	
GBPC3506	35.0	600	400	1.1	17.5	10.0	
GBPC3508	35.0	800	400	1.1	17.5	10.0	
GBPC3510	35.0	1000	400	1.1	17.5	10.0	

### 50 Ampere / GBPC

GBPC50005	50.0	50	500	1.1	25.0	10.0	GBPC
GBPC5001	50.0	100	500	1.1	25.0	10.0	
GBPC5002	50.0	200	500	1.1	25.0	10.0	
GBPC5004	50.0	400	500	1.1	25.0	10.0	
GBPC5006	50.0	600	500	1.1	25.0	10.0	
GBPC5008	50.0	800	500	1.1	25.0	10.0	
GBPC5010	50.0	1000	500	1.1	25.0	10.0	



GBPC

**Three Phase Bridge Rectifiers**
**15A~35A Series Case: SKBPC**

TYPE	$I_{F(AV)}$	$V_{RRM}$	$I_{FSM}$	$V_{FM}$		$I_{RM} @ V_{RRM}$ $T_A=25^\circ C$	Case Style
				$V_{FM}$	$I_F$		
	A	V	A	V	A	$\mu A$	

**15 Ampere / SKBPC**

SKBPC15005	15.0	50	180	1.1	7.5	10.0	SKBPC
SKBPC1501	15.0	100	180	1.1	7.5	10.0	
SKBPC1502	15.0	200	180	1.1	7.5	10.0	
SKBPC1504	15.0	400	180	1.1	7.5	10.0	
SKBPC1506	15.0	600	180	1.1	7.5	10.0	
SKBPC1508	15.0	800	180	1.1	7.5	10.0	
SKBPC1510	15.0	1000	180	1.1	7.5	10.0	

**25 Ampere / SKBPC**

SKBPC25005	25.0	50	300	1.1	12.5	10.0	SKBPC
SKBPC2501	25.0	100	300	1.1	12.5	10.0	
SKBPC2502	25.0	200	300	1.1	12.5	10.0	
SKBPC2504	25.0	400	300	1.1	12.5	10.0	
SKBPC2506	25.0	600	300	1.1	12.5	10.0	
SKBPC2508	25.0	800	300	1.1	12.5	10.0	
SKBPC2510	25.0	1000	300	1.1	12.5	10.0	
SKBPC2512	25.0	1200	300	1.1	12.5	10.0	
SKBPC2516	25.0	1600	300	1.1	12.5	10.0	

**35 Ampere / SKBPC**

SKBPC35005	35.0	50	400	1.1	17.5	10.0	SKBPC
SKBPC3501	35.0	100	400	1.1	17.5	10.0	
SKBPC3502	35.0	200	400	1.1	17.5	10.0	
SKBPC3504	35.0	400	400	1.1	17.5	10.0	
SKBPC3506	35.0	600	400	1.1	17.5	10.0	
SKBPC3508	35.0	800	400	1.1	17.5	10.0	
SKBPC3510	35.0	1000	400	1.1	17.5	10.0	
SKBPC3512	35.0	1200	400	1.1	17.5	10.0	
SKBPC3516	35.0	1600	400	1.1	17.5	10.0	



SKBPC

## Low Power Half Bright Rectifiers

Case:RS-C2

0.5A/Twin Standard Rectifiers

TYPE	Marking Code	$I_{F(AV)}$	$V_{RRM}$	$I_{FSM}$	$V_F @ I_F$	$I_{RM} @ V_{RRM}$	Case Style
		A	V	A	V	$\mu A$	

0.5A-Twin Standard Rectifiers

SS05A	SS05A	0.5	50	20	1.1	5.0	RS-C2
SS05B	SS05B	0.5	100	20	1.1	5.0	
SS05D	SS05D	0.5	200	20	1.1	5.0	
SS05G	SS05G	0.5	400	20	1.1	5.0	
SS05J	SS05J	0.5	600	20	1.1	5.0	
SS05K	SS05K	0.5	800	20	1.1	5.0	
SS05M	SS05M	0.5	1000	20	1.1	5.0	

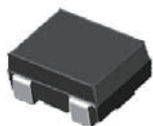
## Surface Mount Compound Function Triggers

TYPE	Marking code	Breakover Voltage		Dynamic Breakover Voltage	Breakover current	Leakage Current	Reverse Current	Case Style
		$V_{BO}$		$\Delta V$	Max $I_{BO}$	$I_B @ 0.5V_{BO}$	$I_R @ 6V$	
		Min	Max					
		V	V	V	$\mu A$	$\mu A$	$\mu A$	
UT3210	UT3210	28	36	5	10	1	5	RS-C2

## Uni-directional Diac

Case: DO-35 & Mini-Melf

TYPE	Marking code	Breakover Voltage		Dynamic Breakover Voltage	Breakover current	Leakage Current	Reverse Current	Case Style
		$V_{BO}$		$\Delta V$	Max $I_{BO}$	$I_B @ 0.5V_{BO}$	$I_R @ 6V$	
		Min	Max					
		V	V	V	$\mu A$	$\mu A$	$\mu A$	
DU3	DU3	28	36	5	50	5	5	DO-35&Mini-melf



RS-C2



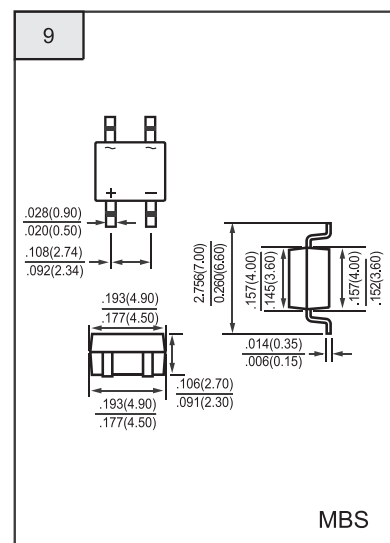
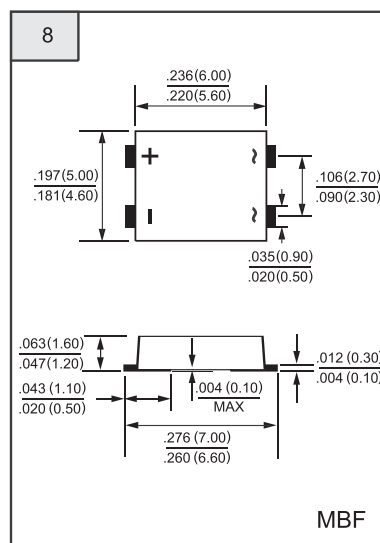
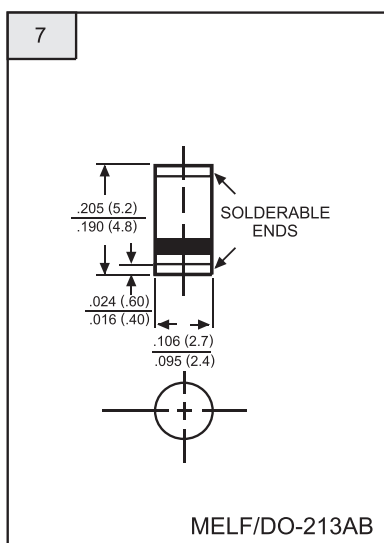
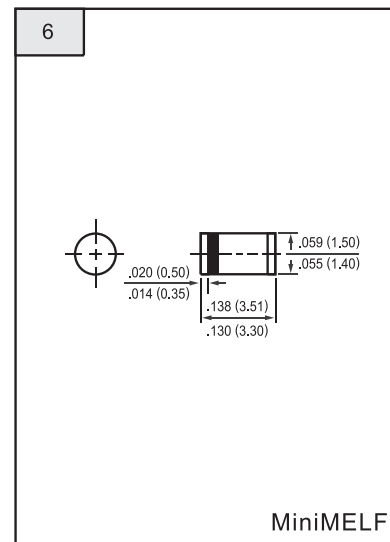
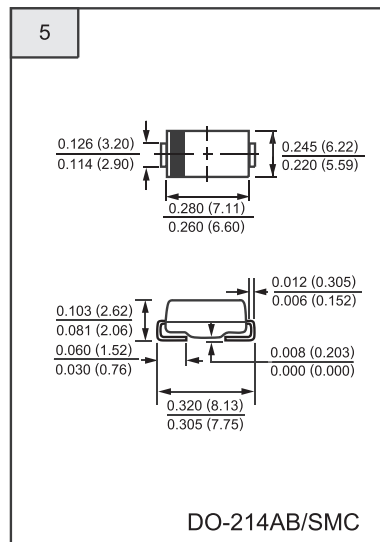
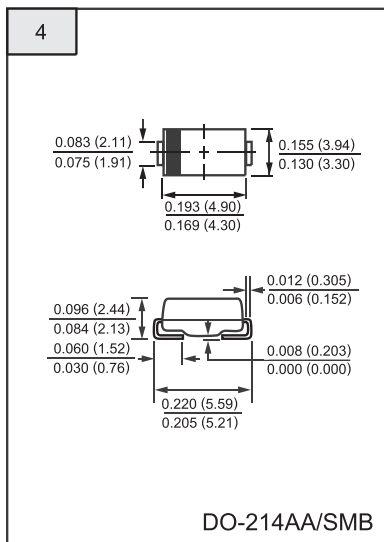
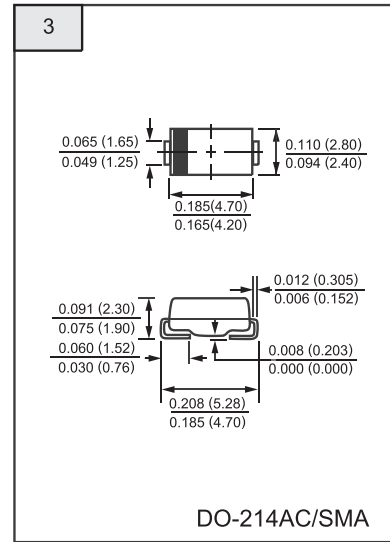
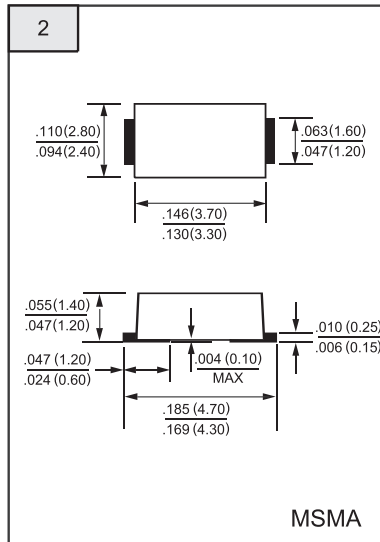
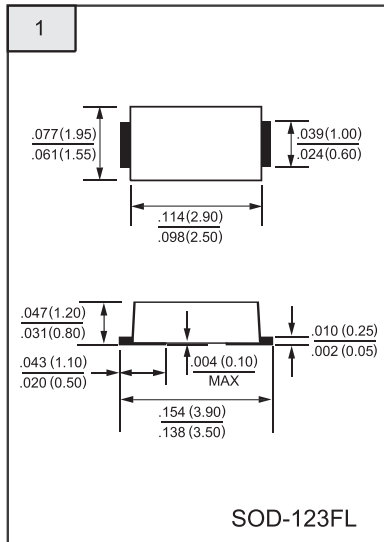
DO-35



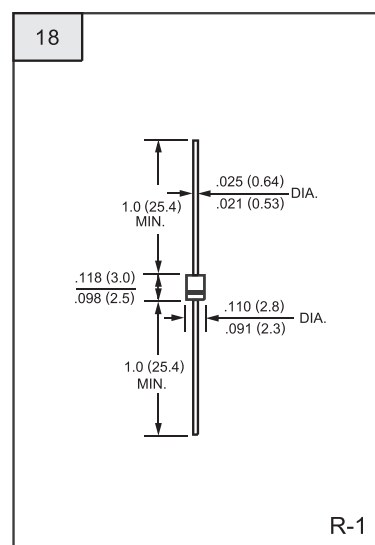
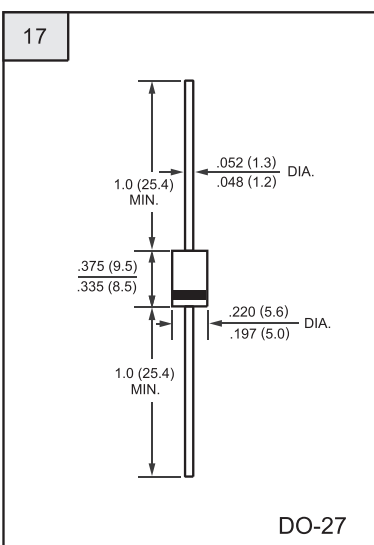
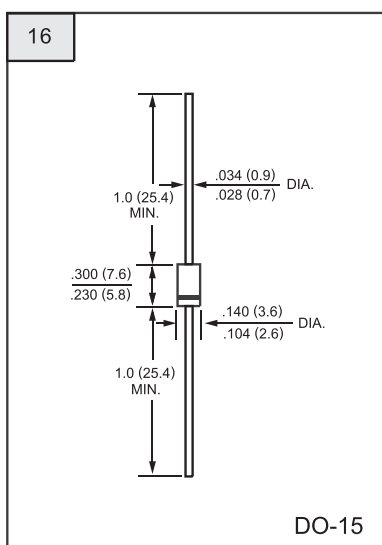
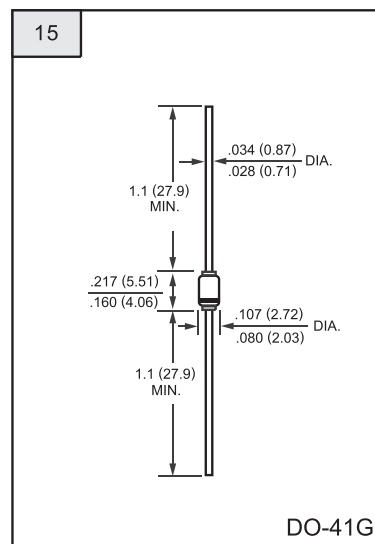
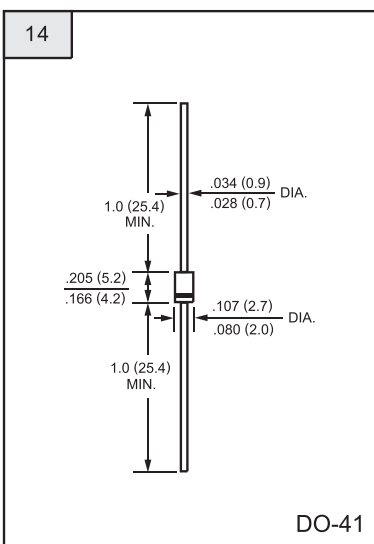
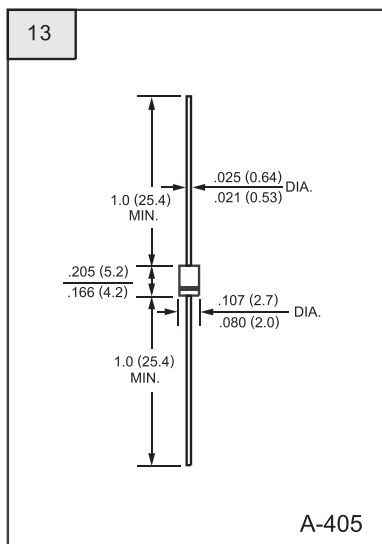
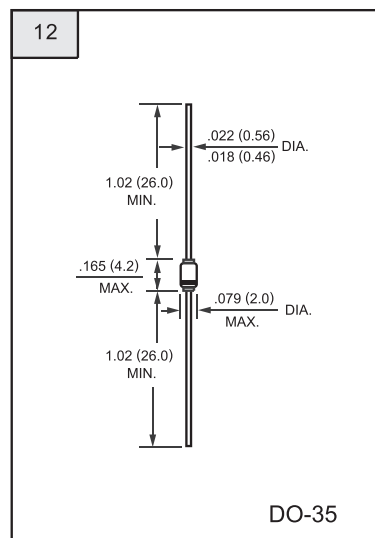
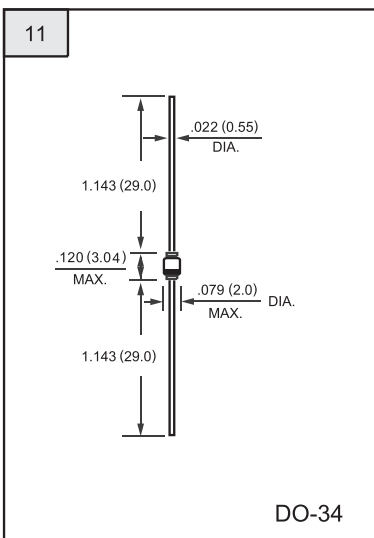
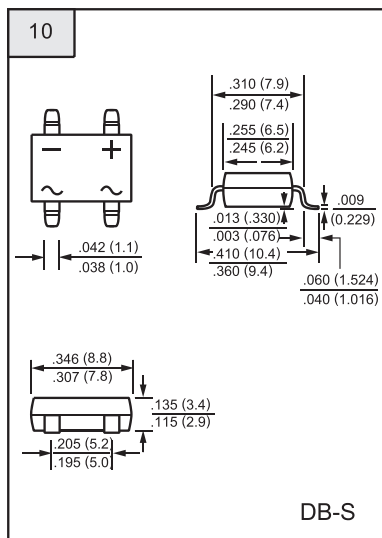
Mini-MELF

## Outline Drawings

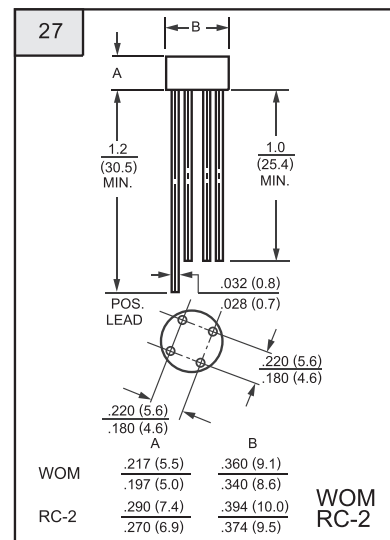
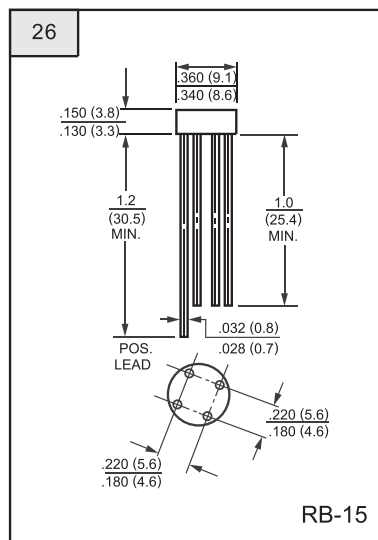
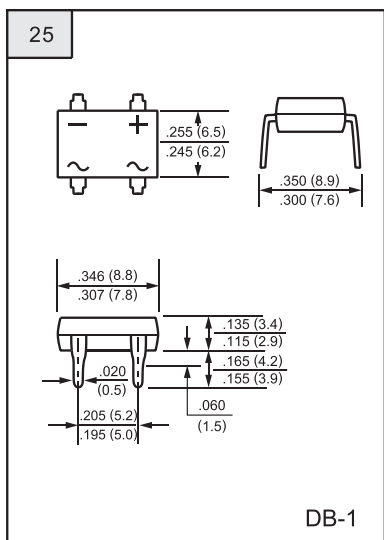
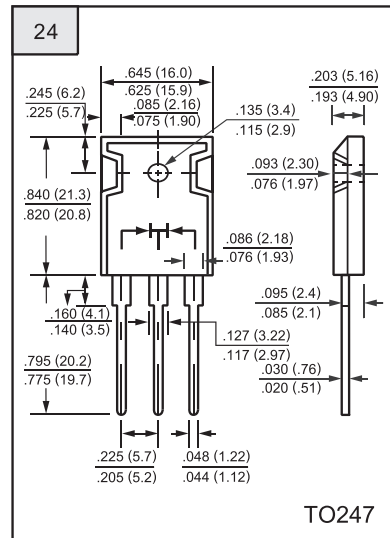
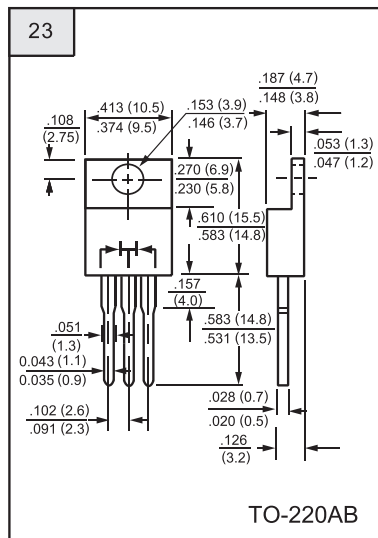
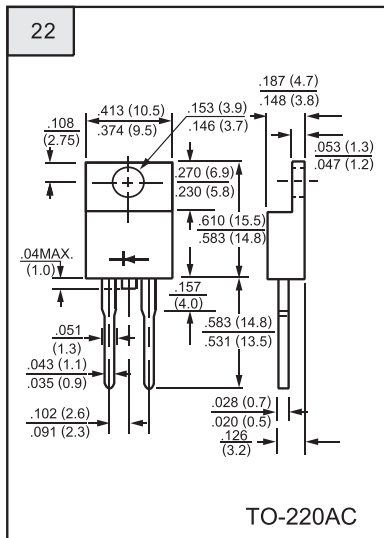
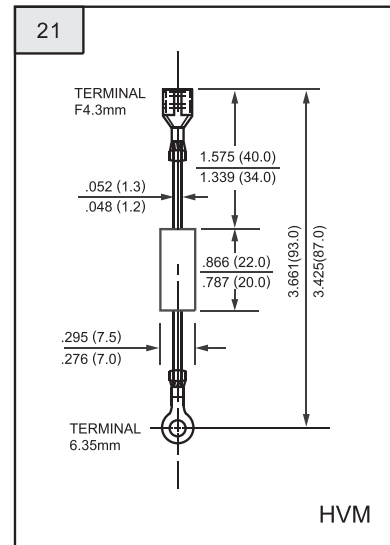
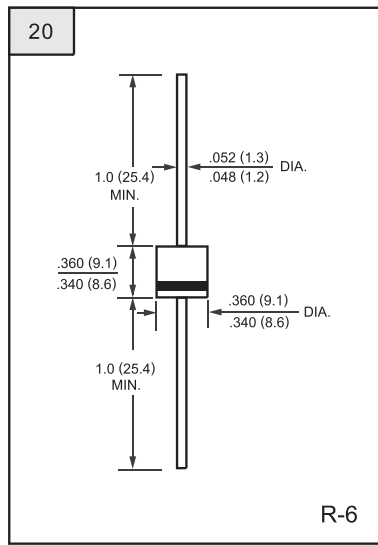
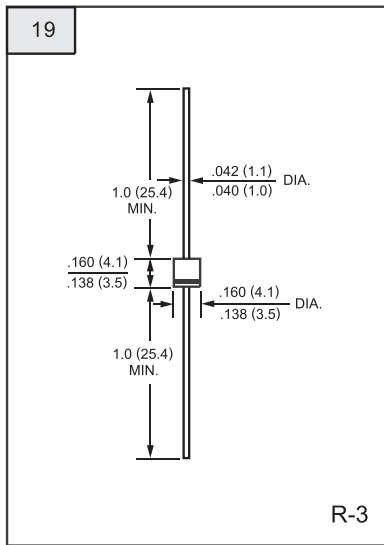
Unit: inch (mm)



## Outline Drawings Unit: inch (mm)

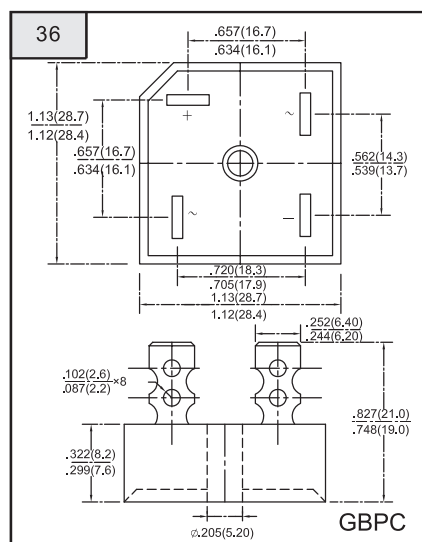
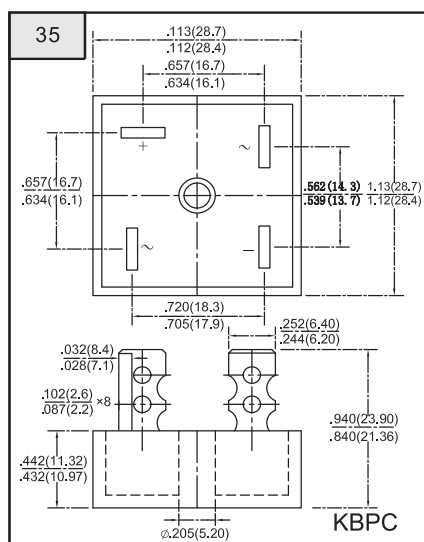
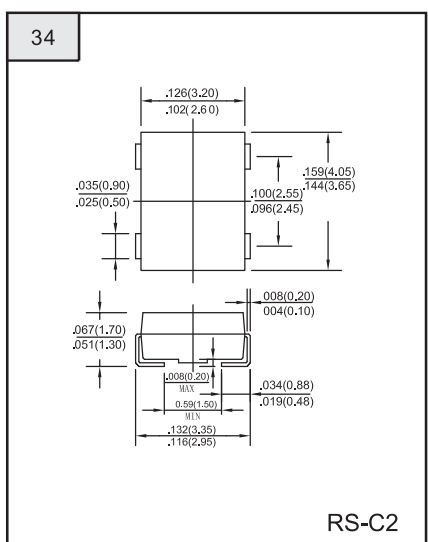
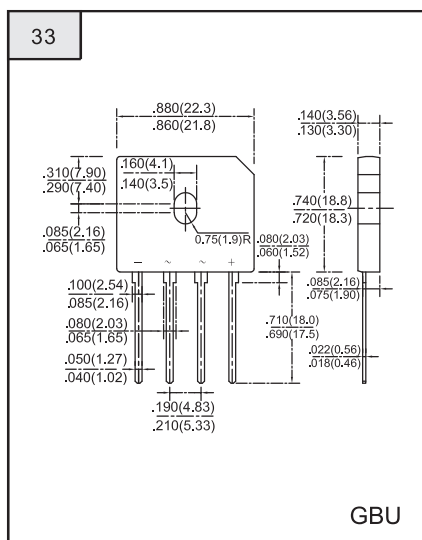
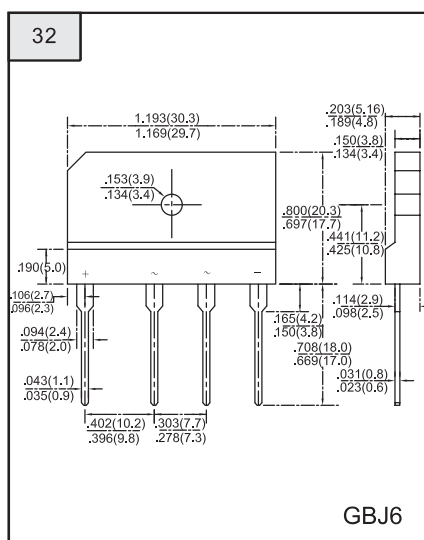
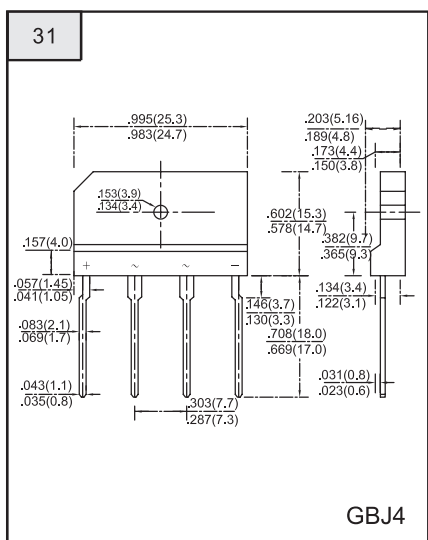
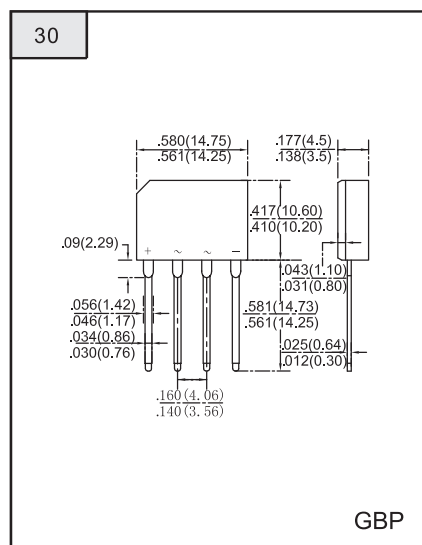
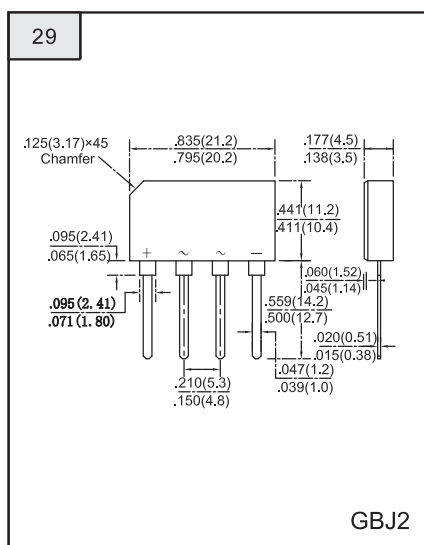
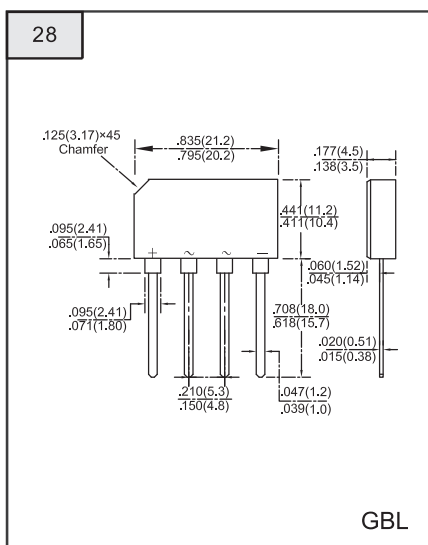


## Outline Drawings Unit: inch (mm)

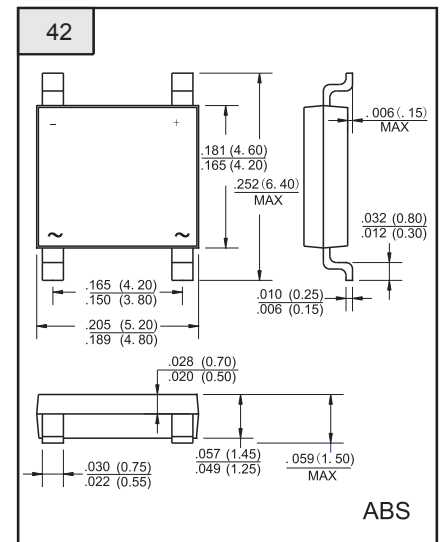
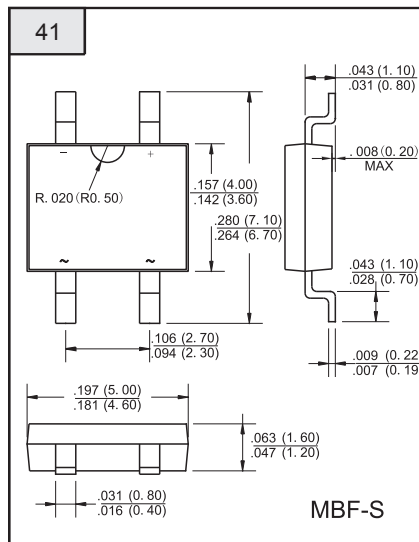
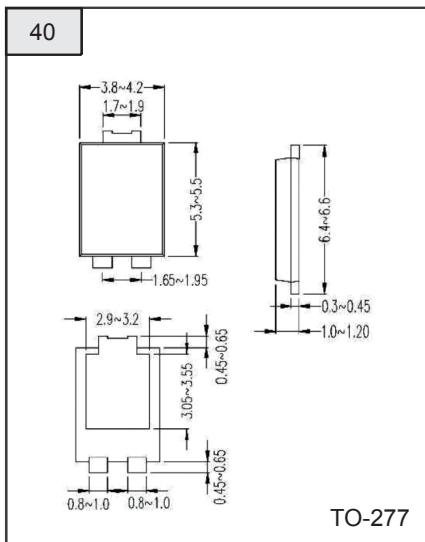
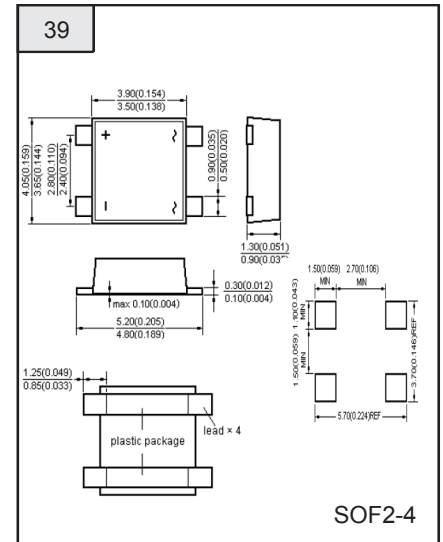
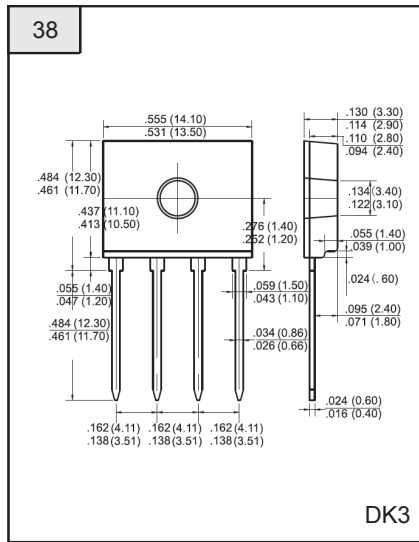
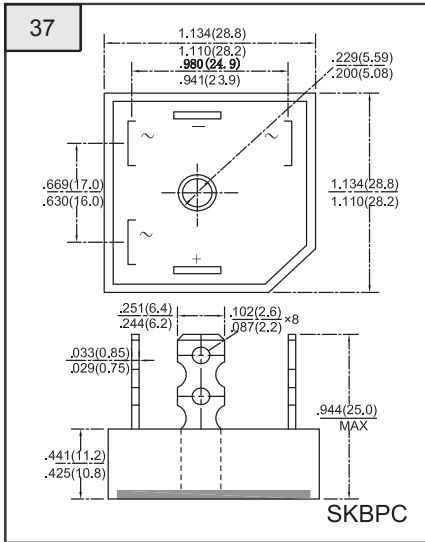




## Outline Drawings Unit: inch (mm)



## Outline Drawings Unit: inch (mm)



**注意:**

公司保留本手册中的每个产品为改善可靠性、功能性或设计而作修改，并不另行通告的权利。

公司不承担应用或使用本手册的产品描述而出现故障的任何责任。

公司忠告客户：在证实您所选用的器件的正确性之前，请查询该器件的最新资料，欢迎访问

公司的网站：[www.trr-jx.com](http://www.trr-jx.com)

**Notice:**

Rising-sun Technology reserves the right to make changes to any product in this book to improve reliability, functional characteristics, or design without notice.

Rising-sun Technology does not assure any liability arising out of the applications or any product described in this book.

Rising-sun Technology advises customers to obtain the latest version of the device information before placing orders to verify that the required information is current.

Welcome to visit our Website at [www.trr-jx.com](http://www.trr-jx.com)