

**Ratings**

Voltage: 150 V  
 Temperature: -40~70 °C

**Conductor**

Conductor count: 10  
 Gauge: 32 AWG 0.04 mm<sup>2</sup>  
 Material: Tinned copper strands  
 Strand size:  $\varnothing 0.05 \times 19$   
 Resistance at 20 °C: 590  $\Omega$  /km Max

**Insulator**

Material: HDPE  
 Color: red, black, white, yellow, blue, green, orange, purple, gray, brown  
 Diameter:  $\varnothing 0.55 \pm 0.10$  mm  
 Nominal thickness: 0.15 mm  
 Resistance at 20 °C: 100 M $\Omega$  /km Min

**Wrap**

Material: cotton paper

**Filler**

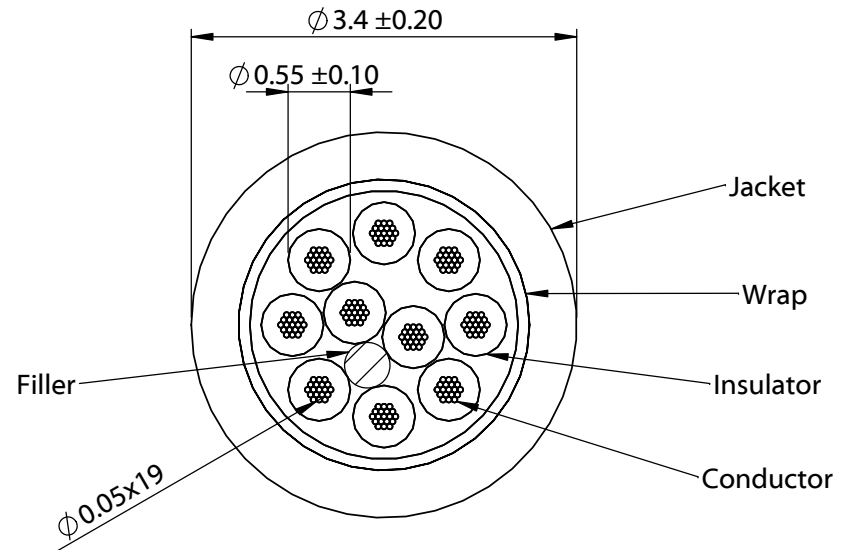
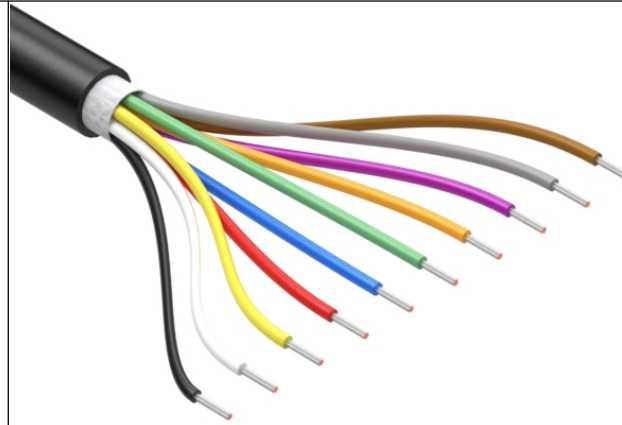
Material: aramid fiber

**Outer jacket**

Material: TPU  
 Color: black  
 Diameter:  $\varnothing 3.4 \pm 0.20$  mm  
 Nominal thickness: 0.50 mm

**Tests**

Tensile strength: 15 kgf min  
 Dielectric test: 1500 V dc for 1 minute without breakdown  
 Bend test at 200 g,  $\pm 60^\circ$ , 30 cycles /min: 15,000 cycle minimum



Revision:	Date:	Description:	Prepared:	Notes: RoHS compliant Jacket meets ISO 10993 Biological Compatibility Phthalate and halogen free Function test: no open, no short, no intermittent	<b>TENSILITY</b> tel 1.541.323.3228 800 877.670.7118 fax 1.541.323.4202 web tensility.com	
A	7/9/2022	Initial release	Verified:			
			Dimensions are in millimeters. Tolerances: X: $\pm 0.5$ mm X.X: $\pm 0.3$ mm X.XX: $\pm 0.05$ mm	Description: Wire, 10C TS, 32 AWG, 150V, 70C, 3.4 mm, TPU, 75A, WBL	Size: A	Part number: 30-02701
				Scale: 15:1		Sheet 1 of 1

5

↑

4

3

2

1