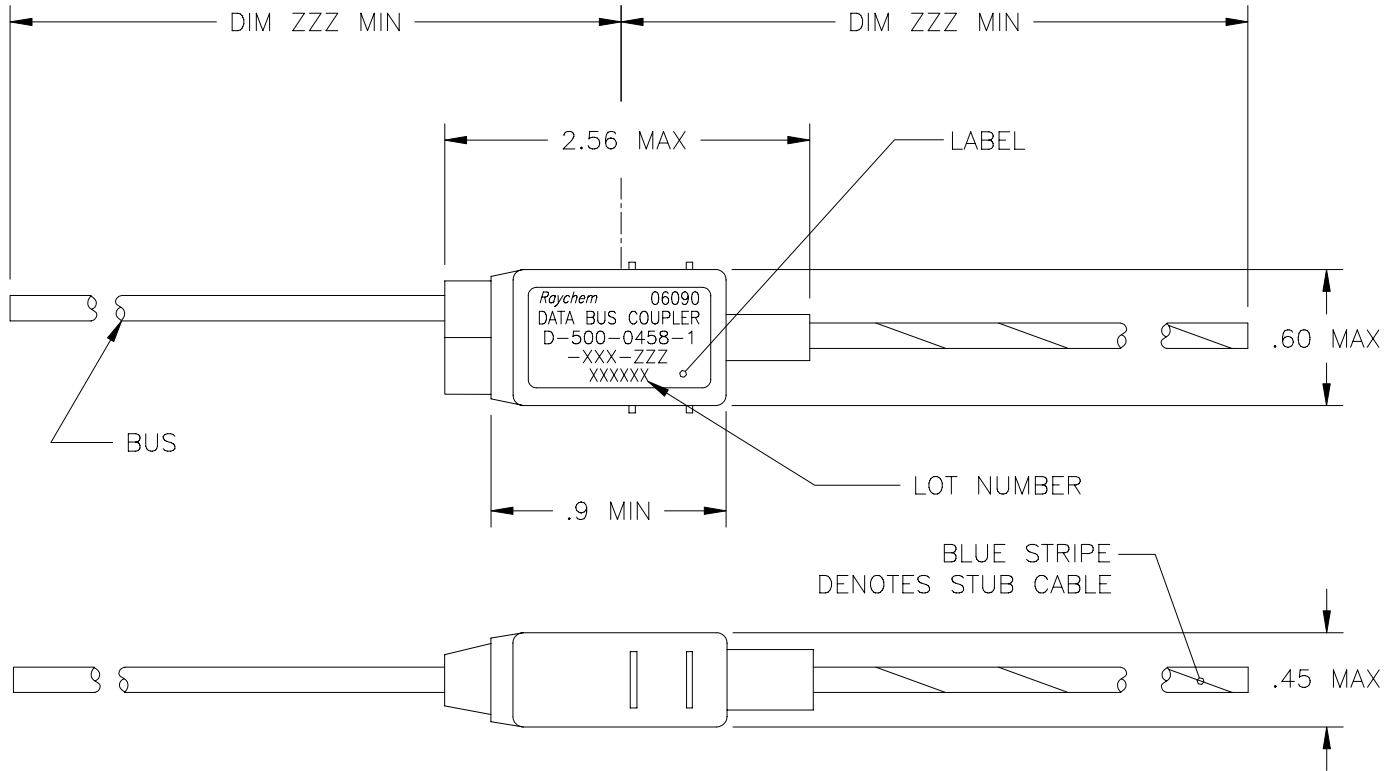


| REVISION |                               |         |
|----------|-------------------------------|---------|
| REV      | DESCRIPTION                   | DATE    |
| B        | REVISED PER DCR NUMBER T31572 | 6/12/03 |



| COMPONENT NUMBER     | BUS CABLE  | STUB CABLE  |
|----------------------|------------|-------------|
| D-500-0458-1-612-ZZZ | 10612-24-9 | 10612-24-96 |
| D-500-0458-1-613-ZZZ | 10613-24-9 | 10613-24-96 |
| D-500-0458-1-614-ZZZ | 10614-24-9 | 10614-24-96 |

PART NO. D-500-045X-1-XXX-ZZZ

SCHEMATIC ————

8=INTERNAL TERMINATOR (AS SHOWN)  
REVERSE CONFIGURATION

1= SINGLE STUB ————

LENGTH OF CABLE (INCHES)

CABLE  
612=10612  
613=10613  
614=10614

If this document is printed it becomes uncontrolled.  
Check for the latest revision.

SPECIFICATION CONTROL DRAWING

|   |                            |                 |           |   |                                  |
|---|----------------------------|-----------------|-----------|---|----------------------------------|
| UNLESS OTHERWISE SPECIFIED DIMENSIONS ARE INCHES. METRIC DIMENSIONS ARE IN BRACKETS.<br><br>DECIMAL TOLERANCES<br>.XXX ± --- [ --- mm]<br>.XX ± --- [ --- mm]<br>.X ± --- [ --- mm]<br><br>ANGLE TOLERANCE<br>.X ± ---<br><br>WEIGHT<br>SEE NOTES | DRAWN<br>Z.Teman           | DATE<br>4/15/97 |           | Tyco Electronics<br>300 CONSTITUTION DRIVE<br>MENLO PARK, CALIFORNIA 94025 USA                              | Raychem                          |
|   | MATERIAL<br><br>FINISH     |                 |           | TITLE<br>DATABUS MICROCOUPLER<br>SINGLE STUB IN-LINE,<br>04 SERIES, REVERSE WITH<br>INTERNAL BUS TERMINATOR |                                  |
| CAD FILE<br>T31572A   | THIRD ANGLE PROJECTION<br> |                 | SIZE<br>A | CODE IDENT. NO.<br>06090  | DWG. NO.<br>D-500-0458-1-XXX-ZZZ |
| DO NOT SCALE THIS DRAWING   |                            |                 |           | SHEET 1 OF 2  |                                  |

1. MATERIAL AND FINISHES:1.1 INTERNAL COMPONENTS:

- 1.1.1 -TRANSFORMER TO MIL-PRF-21038 AND MIL-STD-1553B
- 1.1.2 -RESISTORS, ISOLATION PER MIL-PRF-39007/9, 57.6 OHMS (R1)
- 1.1.3 -RESISTORS, TERMINATION PER MIL-PRF-39007/9, 76.8 OHMS (R2)
- 1.2 SHIELDED CASE: ALUMINUM PER ASTM-B618
- 1.3 SEALED STRAIN RELIEF COVER: MODIFIED CROSS-LINKED ELASTOMER, BLACK, TO RAYCHEM SPECIFICATION RK-6713.
- 1.4 CABLE TYPE PER RAYCHEM SPECIFICATION 1200 (SEE PART NO. ON SHEET 1).

2. APPLICATION:

- 2.1 THIS COUPLER IS DESIGNED TO BE INSTALLED AS A DIGITAL MULTIPLEX ASSEMBLY MEETING THE REQUIREMENTS OF MIL-STD-1553B.
- 2.2 FOR CABLE SPLICING USE FLEXIBLE SPLICE KIT D-150-0708-5 (NOT SUPPLIED).
- 2.3 CABLE BEND RADIUS PER SAE-AS50881 STATIC BEND: 5 x CABLE O.D. MIN.  
DYNAMIC BEND: 10 x CABLE O.D. MIN.

3. TEMPERATURE:

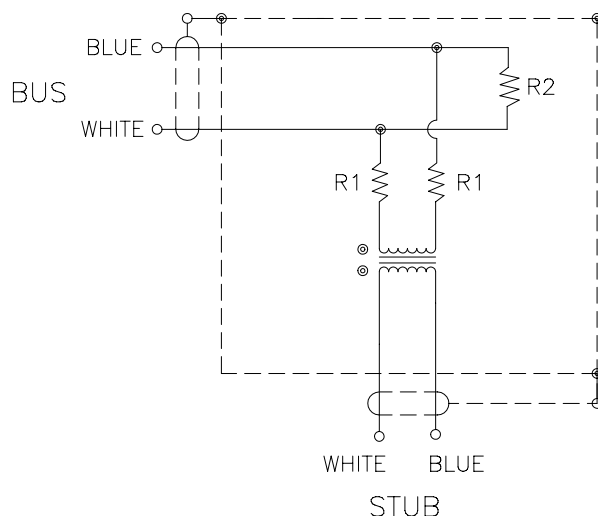
- 3.1 OPERATING TEMPERATURE: -65°C TO +150°C

4. PERFORMANCE SPECIFICATIONS:

- 4.1 TRANSFORMER MEETS THE PERFORMANCE REQUIREMENTS OF MIL-STD-1553B.
- 4.2 COUPLER MEETS THE PERFORMANCE REQUIREMENTS OF RAYCHEM SPECIFICATION D-6020.

5. WEIGHT:

- 5.1 MAXIMUM WEIGHT WITHOUT CABLE: 10 GRAMS MAX.

ONE STUB COUPLER SCHEMATIC

## SPECIFICATION CONTROL DRAWING

|                     |                                   |           |                           |                                  |              |
|---------------------|-----------------------------------|-----------|---------------------------|----------------------------------|--------------|
| DRAWN<br>ZET        | DATE<br>4/15/97                   | SIZE<br>A | CODE IDENT. NO.<br>06090  | DWG. NO.<br>D-500-0458-1-XXX-ZZZ | REV<br>B     |
| CAD FILE<br>T31572B | <b>tyco</b><br><b>Electronics</b> |           | DO NOT SCALE THIS DRAWING |                                  | SHEET 2 OF 2 |