

LED lights dedicated high-speed switching diode

FEATURES

- For surface mounted applications
- Glass Passivated Chip Junction
- Fast reverse recovery time
- Ideal for automated placement
- Lead free in comply with EU RoHS 2011/65/EU directives

MECHANICAL DATA

- Case: SOD-123FL
- Approx. Weight: 15mg 0.00053oz

Absolute Maximum Ratings at 25 °C

Parameter	Symbols	1N4148WL	Units
Maximum Repetitive Peak Reverse Voltage	V_{RRM}	100	V
Maximum RMS voltage	V_{RMS}	75	V
Continuous Forward Current	I_F	300	mA
Non-reptitive Peak Forward Surge Current at 1ms	I_{FSM}	4	A
Total Power Dissipation	P_{tot}	400	mW
Typical Thermal Resistance ⁽¹⁾	$R_{\theta JA}$	450	°C/W
Operating and Storage Temperature Range	T_j, T_{stg}	-55 ~ +150	°C

(1) P.C.B. mounted with 2.0" X 2.0" (5 X 5 cm) copper pad areas.

Characteristics at $T_a = 25\text{ °C}$

Parameter	Symbols	1N4148WL	Units
Reverse Breakdown Voltage at $I_R = 1\mu A$	$V_{(BR)R}$	75	V
Maximum Forward Voltage at 1 mA at 10 mA at 50 mA at 150 mA at 300 mA	V_F	0.715 0.855 1.00 1.25 1.5	V
Peak Reverse Current at $V_R = 20V$ $T_j = 25\text{ °C}$ at $V_R = 75V$ $T_j = 25\text{ °C}$ at $V_R = 25V$ $T_j = 150\text{ °C}$ at $V_R = 75V$ $T_j = 150\text{ °C}$	I_R	0.025 1 30 50	μA
Typical Junction Capacitance $f = 1MHz, V_R = 4V$	C_j	5	pF
Maximum Reverse Recovery Time	t_{rr} Typical	8	ns

PINNING

PIN	DESCRIPTION
1	Cathode
2	Anode



Simplified outline SOD-123FL and symbol

Fig.1 Power Derating Curve

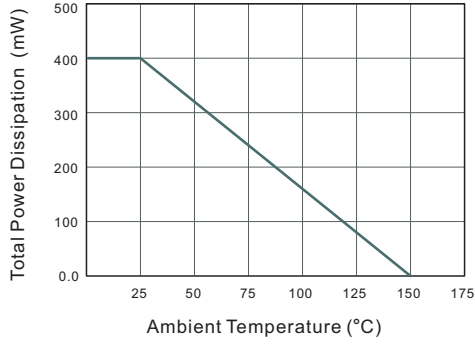


Fig.2 Typical Reverse Characteristics

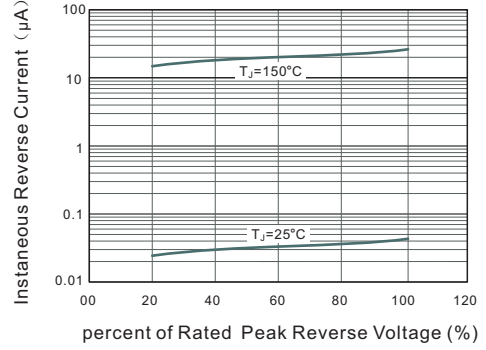


Fig.3 Typical Instantaneous Forward Characteristics

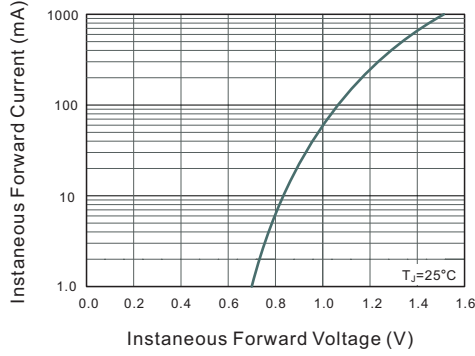
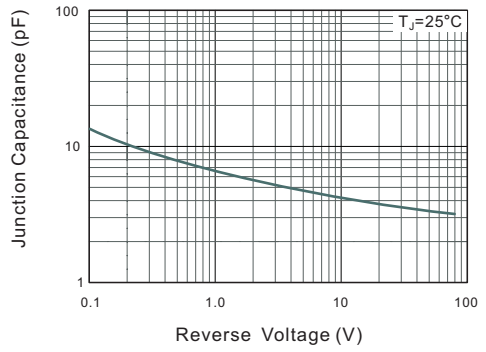


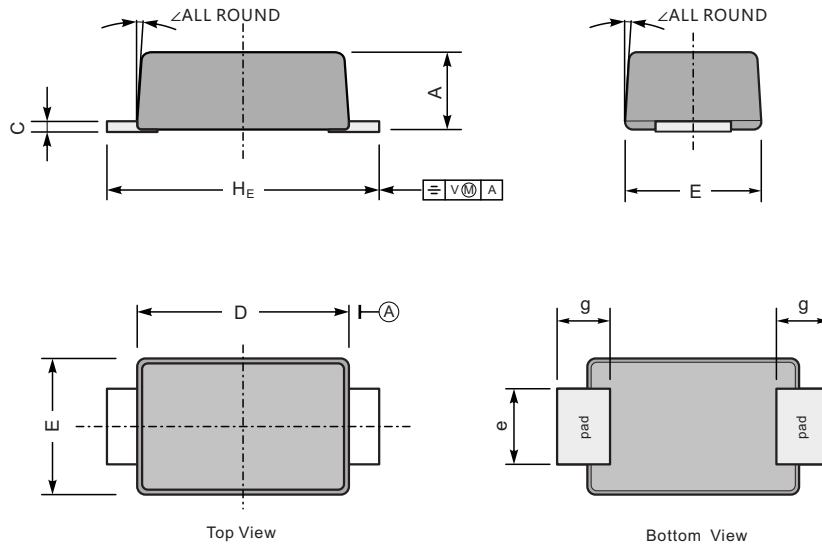
Fig.4 Typical Junction Capacitance



PACKAGE OUTLINE

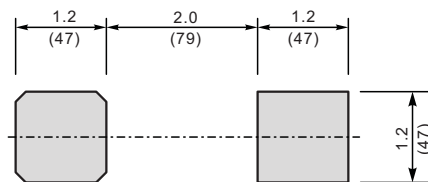
Plastic surface mounted package; 2 leads

SOD-123FL



UNIT		A	C	D	E	e	g	H _E	\angle
mm	max	1.1	0.20	2.9	1.9	1.1	0.9	3.8	7°
	min	0.9	0.12	2.6	1.7	0.8	0.7	3.5	
mil	max	43	7.9	114	75	43	35	150	
	min	35	4.7	102	67	31	28	138	

The recommended mounting pad size



Unit: $\frac{\text{mm}}{\text{mil}}$