

## 2 $\mu$ A, 600mA Low Dropout Voltage Linear Regulator

### General Description

The DS8562 series are a group of low-dropout ( LDO ) voltage regulators offering the benefits of wide input voltage range from 1.2V to 6V, low dropout voltage, low power consumption, and miniaturized packaging.

Quiescent current of only 2 $\mu$ A makes these devices ideal for powering the battery-powered, always-on systems that require very little idle-state power dissipation to a longer service life. There is an option of shutdown mode by selecting the parts with the EN pin and pulling it low. The shutdown current in this mode goes down to only 100nA ( typical ).

The DS8562 series of linear regulators are stable with the ceramic output capacitor over its wide input range from 1.2V to 6V and the entire range of output load current ( 0mA to 600mA ).

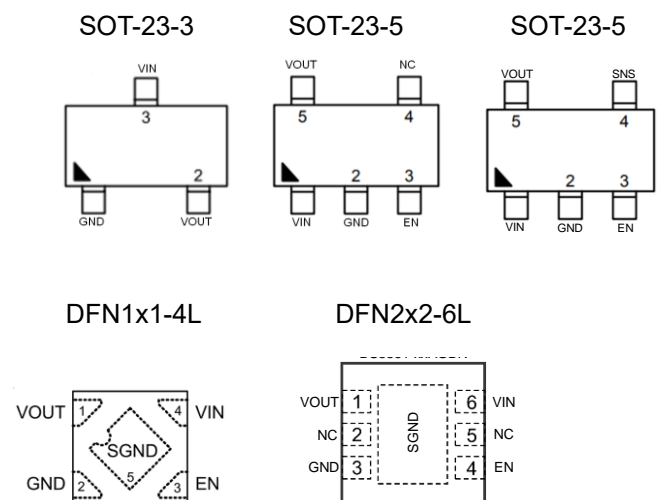
### Features

- 2 $\mu$ A Ground Current at no Load
- $\pm 2\%$  Output Accuracy
- 600mA Output Current
- 100nA Disable Current ( by option )
- Wide Operating Input Voltage Range: 1.2V to 6V
- Dropout Voltage: 0.36V at 600mA / V<sub>OUT</sub> 3.3V
- Support Fixed Output Voltage 1.2V, 1.5V, 1.6V, 1.8V, 2.5V, 2.8V, 3.0V, 3.3V
- Stable with Ceramic or Tantalum Capacitor
- Current Limit Protection
- Over-Temperature Protection
- SOT-23-3 , SOT-23-5 , DFN1x1-4L and DFN2x2-6L Packages Available

### Applications

- Portable, Battery Powered Equipment
- Low Power Microcontrollers
- Laptop, Palmtops and PDAs
- Wireless Communication Equipment
- Audio/Video Equipment
- Car Navigation Systems

### Pin Configurations



**Ordering Information**

## DS8562-AABB

Designator	Description	Symbol	Description
AA	Output Voltage	12	$V_{OUT} = 1.2V$
		..	..
		25	$V_{OUT} = 2.5V$
		..	..
		33	$V_{OUT} = 3.3V$
		135	$V_{OUT} = 1.35V$
		285	$V_{OUT} = 2.85V$
BB	Package type	S3	SOT-23-3
		S5	SOT-23-5
		D4	DFN1x1-4L
		D6	DFN2x2-6L

DS8562N-AABB ( For SOT-23-5 with **SNS** pin )

Designator	Description	Symbol	Description
AA	Output Voltage	12	$V_{OUT} = 1.2V$
BB	Package type	S5	SOT-23-5

Notes :  $V_{OUT} = ( R1 + R2 ) / R2 \times 1.2V$  , And **R2 < 24K $\Omega$**  .

**Description of Functional Pins**

## DS8562

Pin No				Pin Name	Pin Function
SOT-23-3	SOT-23-5	DFN1x1	DFN2x2		
1	2	2	3	GND	Ground
2	5	1	1	VOUT	Output of the Regulator
3	1	4	6	VIN	Input of Supply Voltage.
	3	3	4	EN	Enable Control Input.
	4		2,5	NC	No internal connection
		Exposed Pad	Exposed Pad	SGND	Substrate of Chip. Leave floating or tie to GND.

DS8562N ( For SOT-23-5 with **SNS** pin )

Pin No	Pin Name	Pin Function
SOT-23-5		
1	VIN	Input of Supply Voltage.
2	GND	Ground
3	EN	Enable Control Input.
4	SNS	Sense of Output Voltage.
5	VOUT	Output of the Regulator

Typical Application Circuit

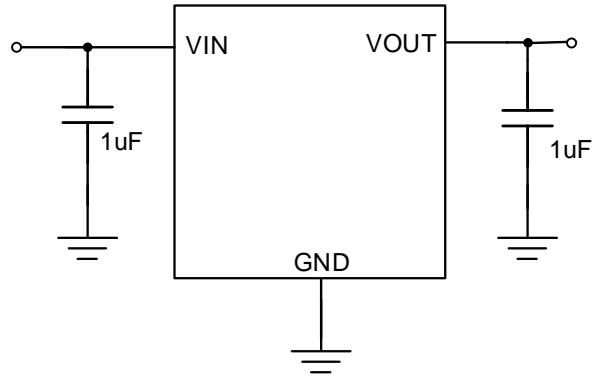


Figure 1: Application circuit of Fixed V<sub>OUT</sub> LDO

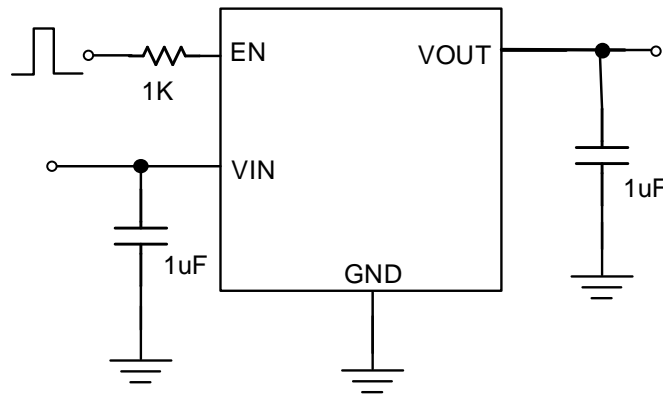


Figure 2: Application circuit of Fixed V<sub>OUT</sub> LDO with enable function

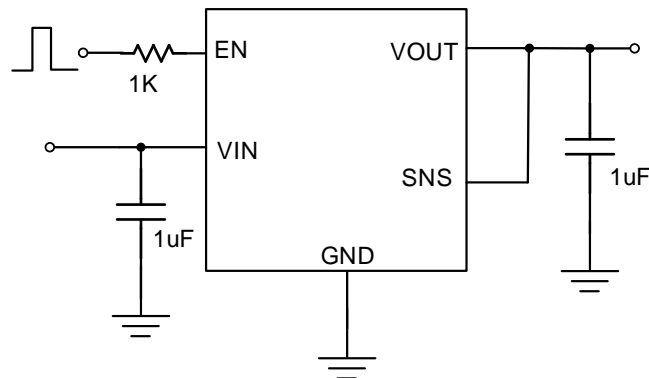


Figure 3: Application circuit of Fixed V<sub>OUT</sub> LDO with enable and **sense** functions

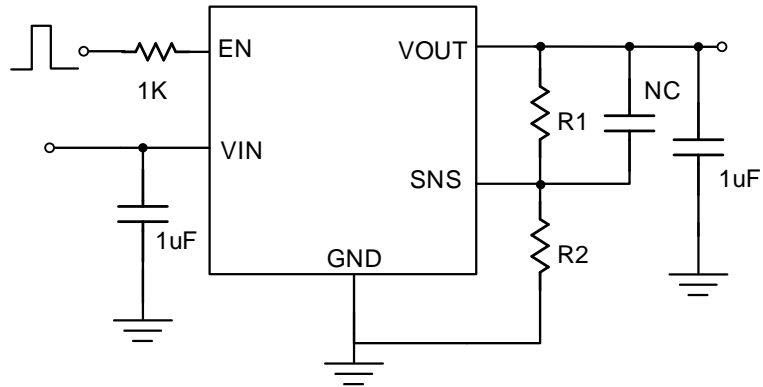
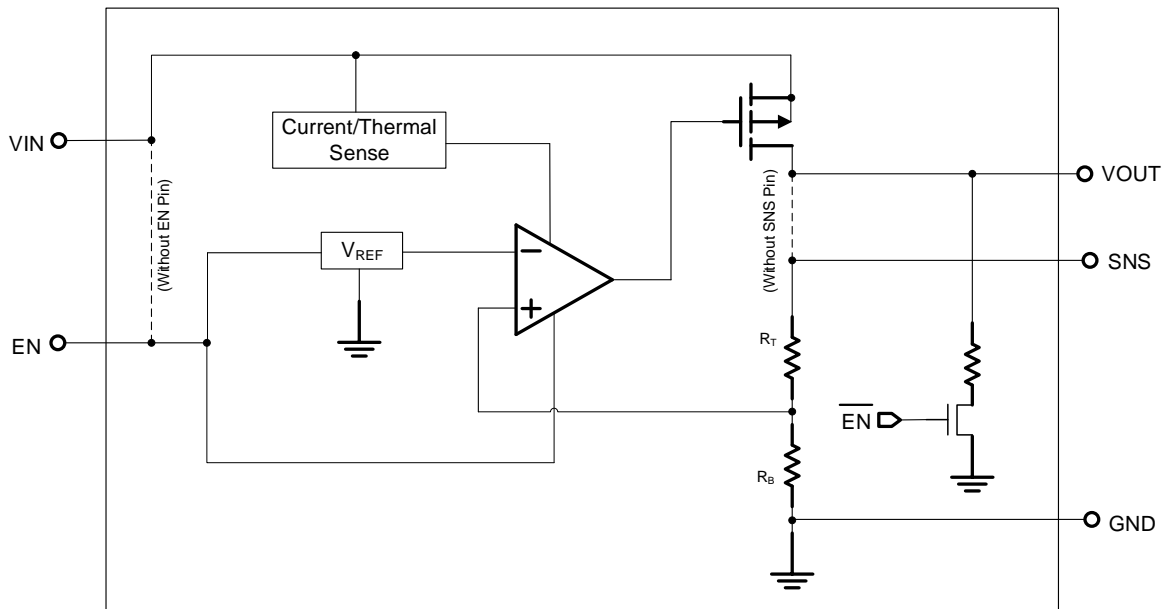


Figure 4: Application circuit of Adjustable  $V_{OUT}$  LDO with enable and **sense** functions

### Function Block Diagram



**Absolute Maximum Ratings** (Note 1)

VIN to GND	-0.3V to 7V
VOOUT, EN to GND	-0.3V to 6V
VOOUT to VIN	-6V to 0.3V
Package Thermal Resistance (Note 2)	
SOT-23-5, SOT-23-3, $\theta_{JA}$	220 °C /W
DFN1x1-4L, $\theta_{JA}$	195 °C /W
DFN2x2-6L, $\theta_{JA}$	95 °C /W
Lead Temperature (Soldering, 10 sec.)	260 °C
Junction Temperature	150 °C
Storage Temperature Range	-60 °C to 150 °C
ESD Susceptibility	
HBM	2KV
MM	200V
CDM	2KV

**Recommended Operating Conditions**

Input Voltage VIN	1.2V to 6V
Junction Temperature Range	-40 °C to 125 °C
Ambient Temperature Range	-40 °C to 85 °C

## Electrical Characteristics

(  $V_{IN} = 5V$ ,  $V_{EN} = 5V$   $T_A = 25^\circ C$  unless otherwise specified )

Parameter	Symbol	Test Conditions	Min	Typ	Max	Unit	
Supply Voltage	$V_{IN}$		1.2	--	6.0	V	
DC Output Voltage Accuracy		$I_{LOAD} = 0.1mA$	-2		2	%	
SNS Input Current	$I_{SNS}$	$SNS = V_{OUT}$		0.5		$\mu A$	
Dropout Voltage ( $I_{LOAD} = 600mA$ ) (Note 3)	$V_{DROP\_3V}$	$V_{OUT} \geq 3V$		0.36		V	
	$V_{DROP\_2.8V}$	$V_{OUT} = 2.8V$		0.45			
	$V_{DROP\_2.5V}$	$V_{OUT} = 2.5V$		0.45			
	$V_{DROP\_1.8V}$	$V_{OUT} = 1.8V$		0.57			
	$V_{DROP\_1.5V}$	$V_{OUT} = 1.5V$		0.71			
	$V_{DROP\_1.2V}$	$V_{OUT} = 1.2V$		0.9			
Ground Current	$I_Q$	$I_{LOAD} = 0mA$		2		$\mu A$	
Shutdown Ground Current	$I_{SD}$	$V_{EN} = 0V$ , $V_{OUT} = 0V$		0.1	0.5	$\mu A$	
Enable Threshold Voltage	$V_{IH}$	EN Rising	1.0			V	
	$V_{IL}$	EN Falling			0.4		
EN Input Current	$I_{EN}$	$V_{EN} = 5V$		10	100	nA	
Line Regulation	$\Delta LINE$	$I_{LOAD} = 30mA$ , $1.5V \leq V_{IN} \leq 5.5V$ or $(V_{OUT} + 0.2V) \leq V_{IN} \leq 5.5V$		0.2		%	
Load Regulation	$\Delta LOAD$	$10mA \leq I_{LOAD} \leq 0.3A$		0.2		%	
Output Current Limit	$I_{LIM}$	$V_{OUT} = 0V$	601	1100		mA	
Power Supply Rejection Ratio ( $I_{LOAD} = 5mA$ )	PSRR	$V_{OUT} = 1.2V$ , $V_{IN} = 2V$	$f = 100Hz$	--	80	--	dB
			$f = 1kHz$	--	75	--	
Output Voltage Noise (BW = 10Hz to 100kHz, $C_{OUT} = 1\mu F$ .)		$V_{IN} = 3.5V$ $I_{LOAD} = 0.1A$	$V_{OUT} = 1.2V$	--	80	--	$\mu V_{RMS}$
			$V_{OUT} = 2.8V$	--	120	--	
Thermal Shutdown Temperature	$T_{SD}$	$I_{LOAD} = 10mA$		--	155	--	$^\circ C$
Thermal Shutdown Hysteresis	$\Delta T_{SD}$			--	15	--	$^\circ C$
Discharge Resistance	$R_{DC}$	$EN = 0V$ , $V_{OUT} = 0.1V$	--	30	--	$\Omega$	

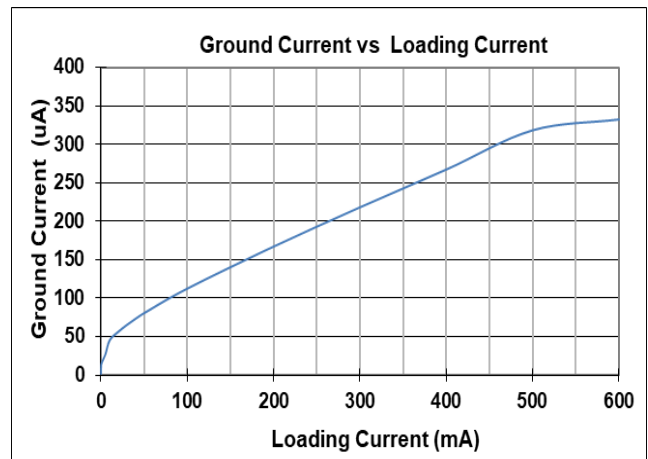
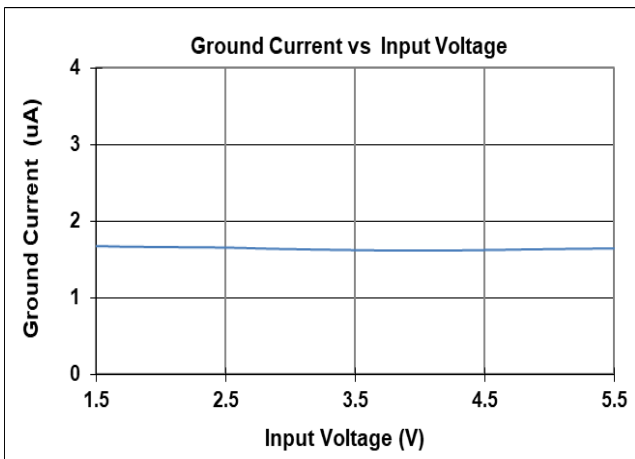
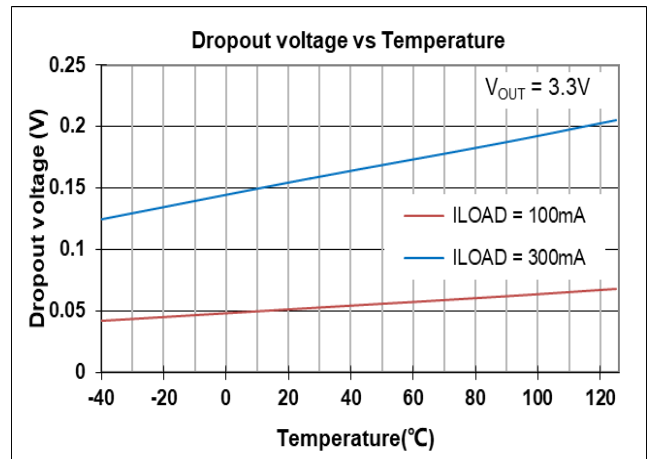
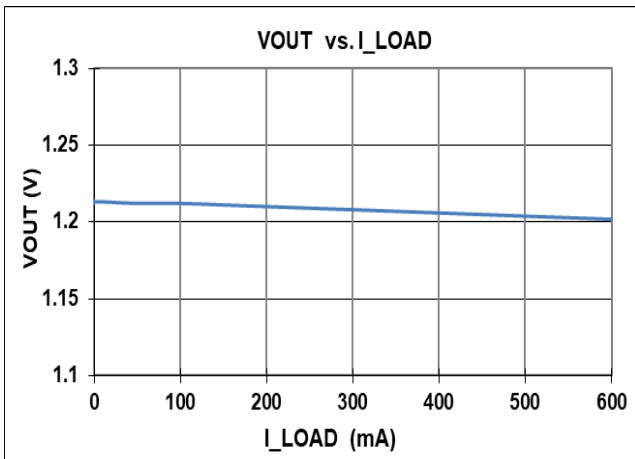
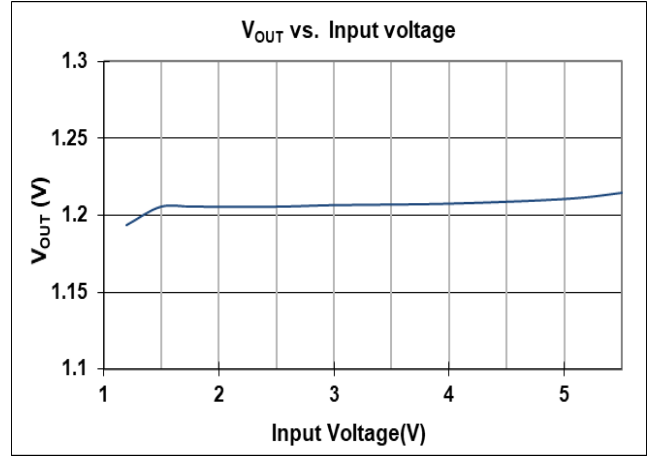
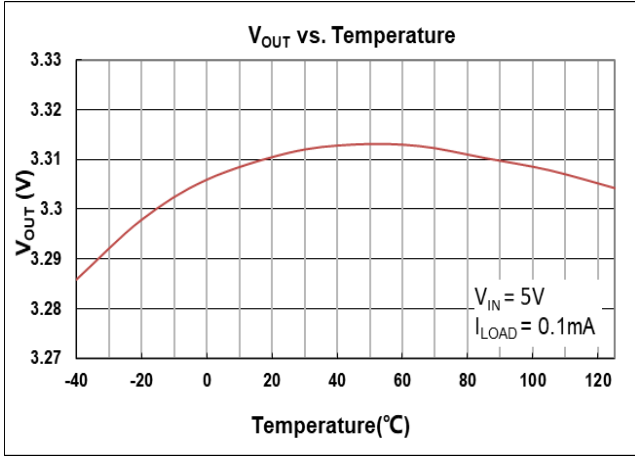
**Note 1.** Stresses beyond those listed “Absolute Maximum Ratings” may cause permanent damage to the device. These are stress ratings only, and functional operation of the device at these or any other conditions beyond those indicated in the operational sections of the specifications is not implied. Exposure to absolute maximum rating conditions may affect device reliability.

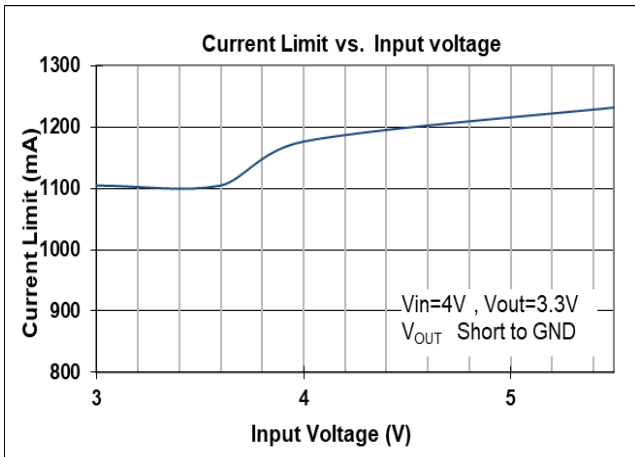
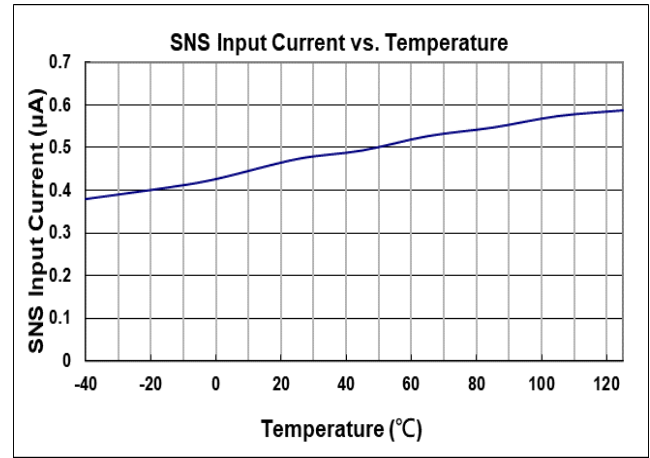
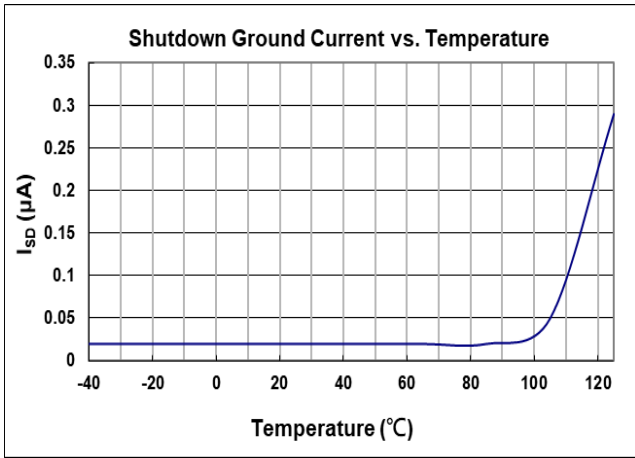
**Note 2.**  $\theta_{JA}$  is measured at  $T_A = 25^\circ\text{C}$  on a DSTECH EVB board.

**Note 3.**  $V_{DROP} = V_{IN} - V_{OUT}$  when the  $V_{OUT}$  is 98% of its target value.

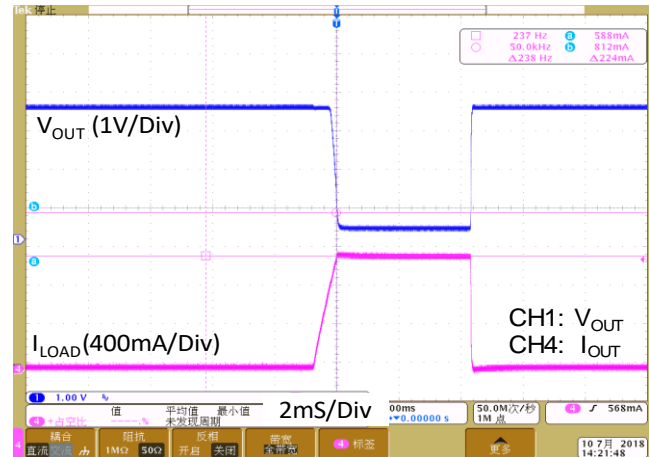


Typical Characteristics

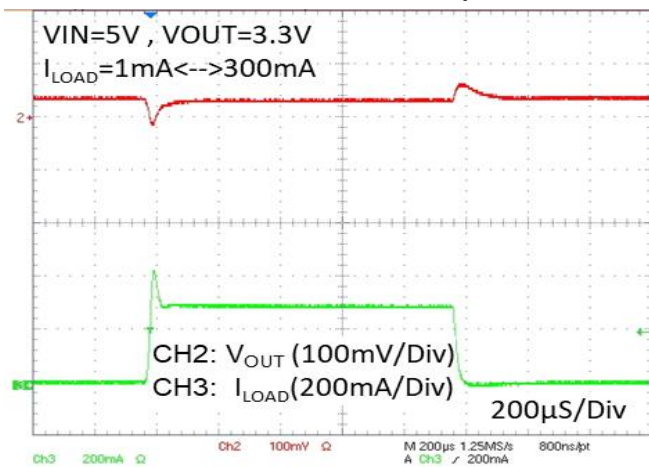




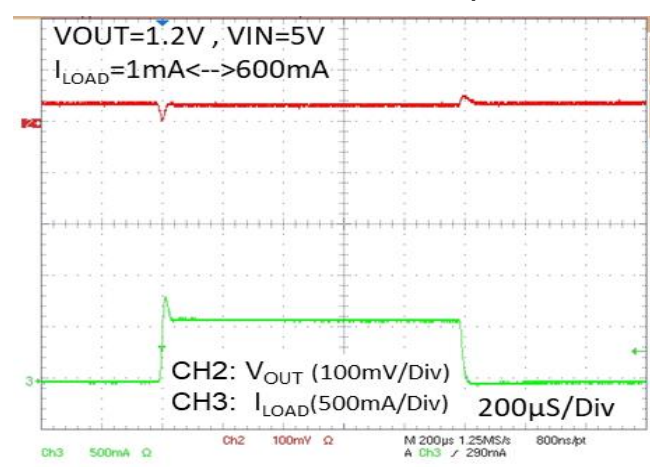
## Current Limit Response



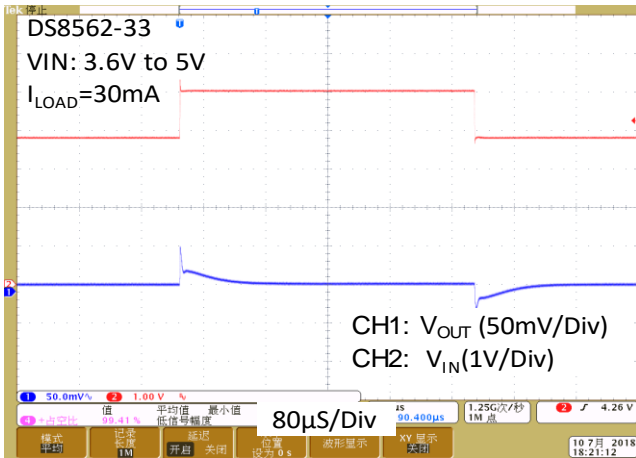
## Load Transient Response I



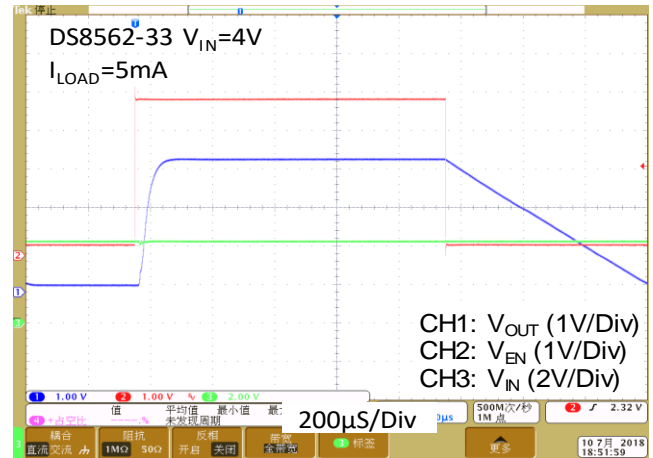
## Load Transient Response II



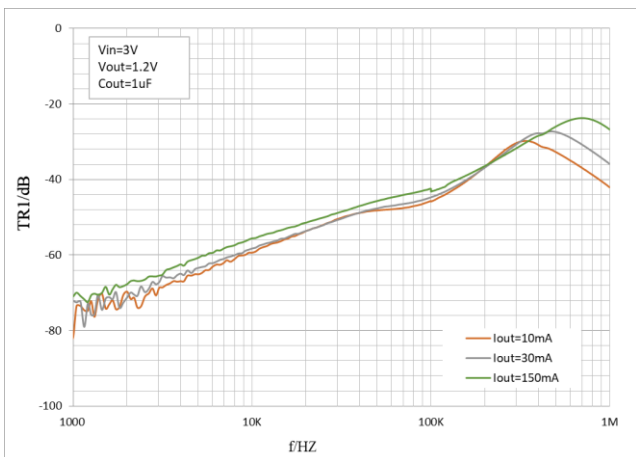
### Line Transient Response



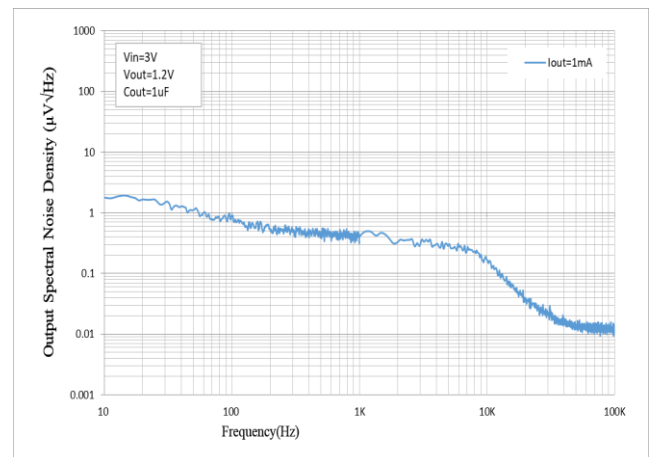
### V<sub>OUT</sub> Turn On/Off by EN



### PSRR vs. Frequency



### Noise Density Spectrum



## Application Guideline

### **Input and Output Capacitor Requirements**

The external input and output capacitors of DS8562 series must be properly selected for stability and performance. Use a 1 $\mu$ F or larger input capacitor and place it close to the IC's  $V_{IN}$  and GND pins. Any output capacitor meeting the minimum 1m $\Omega$  ESR ( Equivalent Series Resistance ) and effective capacitance between 1 $\mu$ F and 22 $\mu$ F requirement may be used. Place the output capacitor close to the IC's  $V_{OUT}$  and GND pins. Increasing capacitance and decreasing ESR can improve the circuit's PSRR and line transient response.

### **Current Limit**

The DS8562 series contain the current limiter of output power transistor, which monitors and controls the transistor, limiting the output current to 1100mA ( typical ).

The output can be shorted to ground indefinitely without damaging the part.

### **Dropout Voltage**

The DS8562 series use a PMOS pass transistor to achieve low dropout. When (  $V_{IN} - V_{OUT}$  ) is less than the dropout voltage (  $V_{DROPO}$  ), the PMOS pass device is in the linear region of operation and the input-to-output resistance is the  $R_{DS(ON)}$  of the PMOS pass element.  $V_{DROPO}$  scales approximately with the output current because the PMOS device behaves as a resistor in dropout condition.

As any linear regulator, PSRR and transient response are degraded as (  $V_{IN} - V_{OUT}$  ) approaches dropout condition.

### **Adjustable Output Voltage Application**

The DS8562N by SNS pin also can work as an adjustable output voltage LDO. Figure 1 gives the connections for the adjustable output voltage application. The resistor divider from  $V_{OUT}$  to SNS sets the output voltage when in regulation.

The voltage on the SNS pin sets the output voltage and is determined by the values of R1 and R2. To keep a good temperature coefficient of output voltage, the values of R1 and R2 should be selected carefully to ignore the temperature effect of input current at the SNS pin. A current greater than 50 $\mu$ A in the resistor divider is recommended to meet the above requirement. The adjustable output voltage can be calculated using the formula given in equation 1:

$$V_{OUT} = \frac{R1+R2}{R2} \times V_{SNS} \quad (1)$$

where  $V_{SNS}$  is determined by the output voltage selections in the ordering information of DS8562N-12.

The minimum recommended 50 $\mu$ A in the resistor divider makes the application no longer a 2 $\mu$ A low quiescent LDO.

### **OTP (Over Temperature Protection)**

The over temperature protection function of DS8562 series will turn off the P-MOSFET when the junction temperature exceeds 155 $^{\circ}$ C ( typ. ). Once the junction temperature cools down by approximately 15 $^{\circ}$ C, the regulator will automatically resume operation.

***Thermal Application***

For continuous operation, do not exceed the absolute maximum junction temperature. The maximum power dissipation depends on the thermal resistance of the IC package, PCB layout, rate of surrounding airflow, and difference between junction and ambient temperature. The maximum power dissipation can be calculated as below:

$T_A=25^{\circ}\text{C}$ , DS-Tech PCB,

The max PD ( Max ) = (  $125^{\circ}\text{C} - 25^{\circ}\text{C}$  ) / (  $220^{\circ}\text{C/W}$  ) = 0.45W for SOT-23-3 / SOT-23-5 packages.

The max PD ( Max ) = (  $125^{\circ}\text{C} - 25^{\circ}\text{C}$  ) / (  $195^{\circ}\text{C/W}$  ) = 0.51W for DFN1x1-4L package.

The max PD ( Max ) = (  $125^{\circ}\text{C} - 25^{\circ}\text{C}$  ) / (  $95^{\circ}\text{C/W}$  ) = 1.05W for DFN2x2-6L package.

Power dissipation (PD) is equal to the product of the output current and the voltage drop across the output pass element, as shown in the equation below:

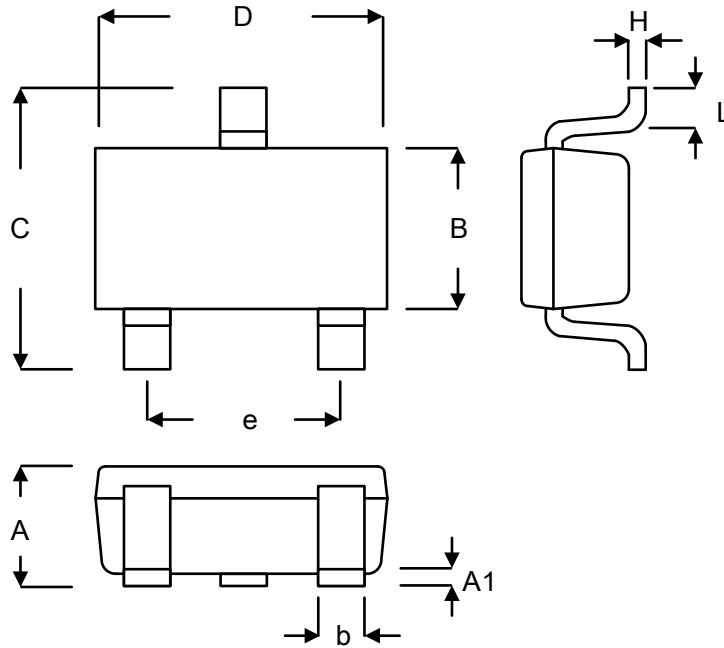
$$\text{PD} = (\text{VIN} - \text{VOUT}) \times \text{IOUT}$$

**Layout Consideration**

By placing input and output capacitors on the same side of the PCB as the LDO, and placing them as close as is practical to the package can achieve the best performance. The ground connections for input and output capacitors must be back to the DS8562 ground pin using as wide and as short of a copper trace as is practical.

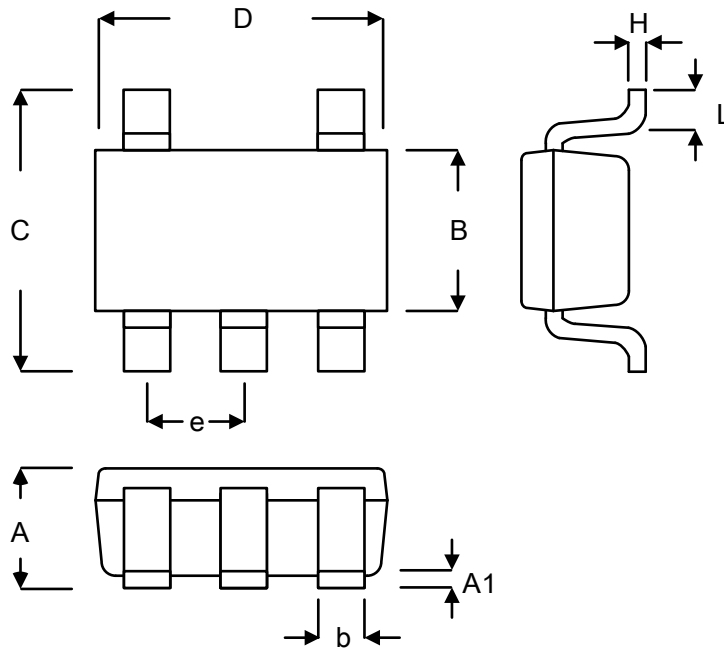
Connections using long trace lengths, narrow trace widths, and/or connections through via must be avoided. These add parasitic inductances and resistance that results in worse performance especially during transient conditions.

**Package Information:**



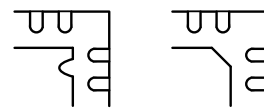
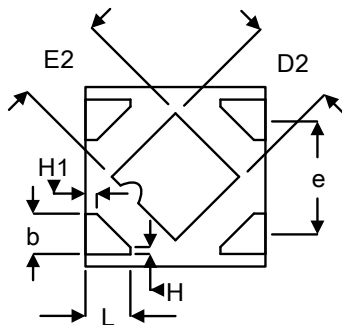
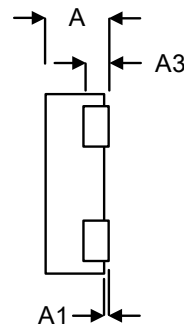
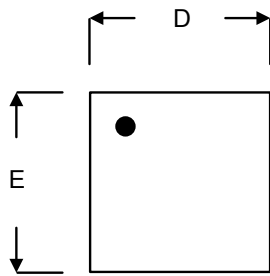
Symbol	Millimeters		Inches	
	Min.	Max.	Min.	Max.
A	0.889	1.295	0.035	0.051
A1	0.000	0.152	0.000	0.006
B	1.397	1.803	0.055	0.071
b	0.250	0.560	0.010	0.022
C	2.591	2.997	0.102	0.118
D	2.692	3.099	0.106	0.122
e	1.803	2.007	0.071	0.079
H	0.080	0.254	0.003	0.010
L	0.300	0.610	0.012	0.024

SOT-23-3L



Symbol	Millimeters		Inches	
	Min.	Max.	Min.	Max.
A	0.889	1.295	0.035	0.051
A1	0.000	0.152	0.000	0.006
B	1.397	1.803	0.055	0.071
b	0.250	0.560	0.010	0.022
C	2.591	2.997	0.102	0.118
D	2.692	3.099	0.106	0.122
e	0.838	1.041	0.033	0.041
H	0.080	0.254	0.003	0.010
L	0.300	0.610	0.012	0.024

**SOT-23-5L**



**DETAILA**

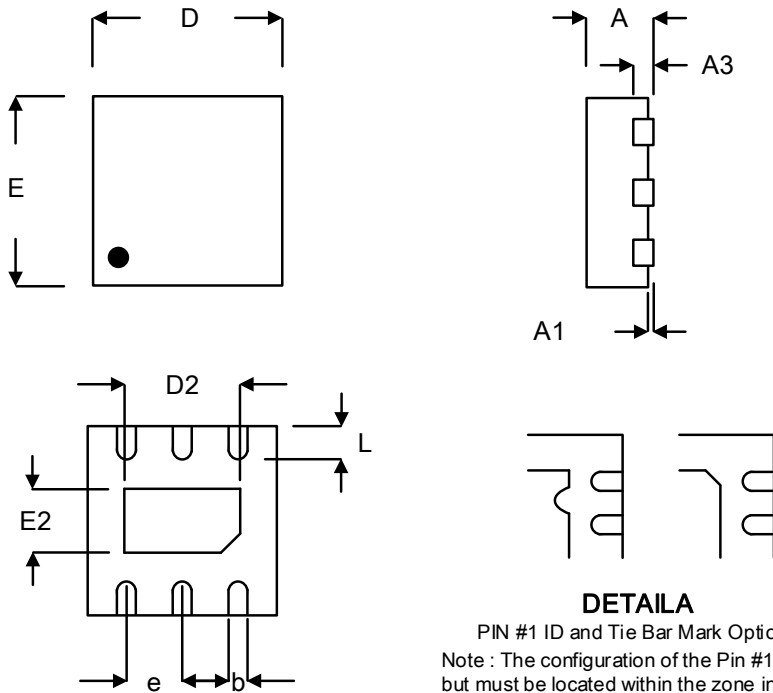
PIN #1 ID and Tie Bar Mark Options

Note : The configuration of the Pin #1 identifier is optional, but must be located within the zone indicated.

Symbol	Millimeters		Inches	
	Min.	Max.	Min.	Max.
A	0.300	0.400	0.012	0.016
A1	0.000	0.050	0.000	0.002
A3	0.117	0.162	0.005	0.006
b	0.175	0.280	0.007	0.011
D	0.900	1.100	0.035	0.043
D2	0.430	0.550	0.017	0.022
E	0.900	1.100	0.035	0.043
E2	0.430	0.550	0.017	0.022
e	0.650		0.026	
L	0.200	0.300	0.008	0.012
H	0.039		0.002	
H1	0.064		0.003	

**DFN1x1-4L**





Symbol	Millimeters		Inches	
	Min.	Max.	Min.	Max.
A	0.700	0.800	0.028	0.031
A1	0.000	0.050	0.000	0.002
A3	0.175	0.250	0.007	0.010
b	0.200	0.350	0.008	0.014
D	1.950	2.050	0.077	0.081
D2	1.000	1.450	0.039	0.057
E	1.950	2.050	0.077	0.081
E2	0.500	0.850	0.020	0.033
e	0.650		0.026	
L	0.300	0.400	0.012	0.016

**DFN2x2-6L**