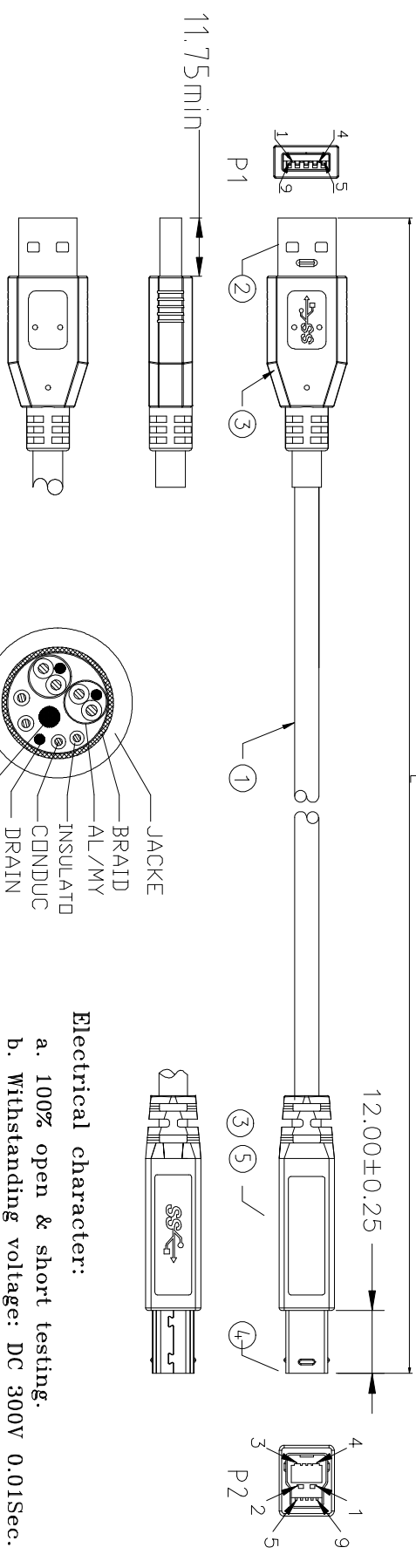
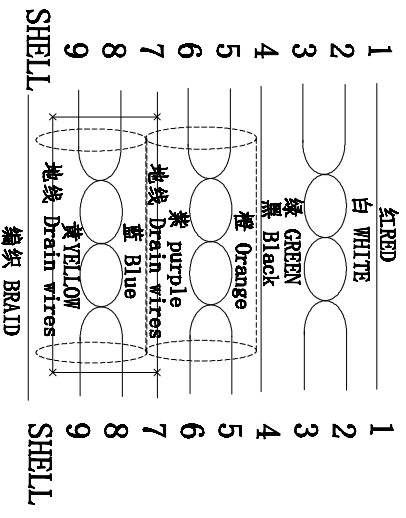


This document is the property of Metek Corporation and is delivered on the express condition that is not to be disclosed, reproduced or used in whole or in part, for manufacture or sale by anyone other than Metek Corporation without the express written consent of Metek Corporation. The marking on this product doesn't contain environmental hazardous materials and is granted for disclosure or to use any is document.
The marking on this product doesn't contain environmental hazardous materials and is granted for disclosure or to use any is document.
Part not in compliance with the Material Specification or per directive 2002/95/EC for RoHS compliant.

序号	成品长度 (单位MM)	裁线长度 (单位MM)	扎带	胶袋	装箱数量	纸箱尺寸	脚位名称	部品料号
1	L1=300±15MM	L1= 290±5MM	白色 扎带 50MM	透明PE袋自封口120×180 MM	700PCS	450×300×300	USB3.0 AM-BM 蓝色 0.3米	306551-0301302
2	L2=500±25MM	L2=480±10MM	白色 扎带 50MM	透明PE袋自封口120×180 MM	500PCS	450×300×300	USB3.0 AM-BM 蓝色 0.5米	306551-0501302
3	L3=1000±30MM	L3=980±15MM	白色 扎带 50MM	透明PE袋自封口120×180 MM	300PCS	450×300×300	USB3.0 AM-BM 蓝色 1米	306551-1001302
4	L4=1500±40MM	L4=1480±20MM	白色 扎带 80MM	透明PE袋自封口150×200 MM	250PCS	450×300×300	USB3.0 AM-BM 蓝色 1.5米	306551-1501302
5	L5=1800±50MM	L5=1780±25MM	白色 扎带 80MM	透明PE袋自封口150×200 MM	200PCS	450×300×300	USB3.0 AM-BM 蓝色 1.8米	306551-1801302
6	L6=3000±75MM	L6=2960±30MM	白色 扎带 120MM	透明PE袋自封口150×200 MM	110PCS	450×300×300	USB3.0 AM-BM 蓝色 3米	306551-3001302
7	L7=5000±90MM	L7=4950±40MM	白色 扎带 150MM	透明PE袋自封口150×200 MM	70PCS	450×300×300	USB3.0 AM-BM 蓝色 5米	306551-5001302



PIN ASSIGNMENT



CABLE SPECIFICATION

NO	DESCRIPTION	QTY.	PART NUMBER	DETAIL
5	PE胶料	4g	J4-111105	白色PE料
4	USB BM	1PCS	C3-110312	USB 3.0 BM 镀金IU
3	PVC胶料	12g	J2-451102	PVC 45P BLUE UI.94V-0
2	USB公头	1PCS	C3-110112	USB A (M) 镀金IU 短体
1	Cable	依需求	X3-550612	UI.20276 (#30*1P+D+AE+M)*2+#30*1P+#26*2C+ABD OD: 5.5mm Blue

Electrical character:

- a. 100% open & short testing.
- b. Withstanding voltage: DC 300V 0.01Sec.
- c. Insulation resistance: 5M Ohm(Min).
- d. Conductive resistance: 3 Ohm(Max).

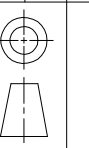


东莞市讯联电子有限公司

306551-XXXX1302

TOLERANCE	APPROVALS	DATE
X, ±0.50	[Signature]	26/03/2018
XX, ±0.30		
XXX, ±0.20		
XXXX, ±0.10		
ANGULAR ±1°	ENG DWG	PHD

USB 3.0 AM to BM 蓝色



01