

# MAXIM

## 10k $\Omega$ Precision-Matched Resistor-Divider in SOT23

MAX5492

### General Description

The MAX5492 precision resistor-divider consists of two accurately matched resistors with access to the ends and center of the divider. This device offers excellent resistance matching of 0.035% (A grade), 0.05% (B grade), and 0.1% (C grade). The MAX5492 includes an extremely low-resistance-ratio temperature drift of 1.5ppm/ $^{\circ}$ C (typ) over  $-55^{\circ}$ C to  $+125^{\circ}$ C, and has an end-to-end resistance of 10k $\Omega$ . Resistance ratios from 1:1 to 10:1 are available. Five standard ratios are available (see Table 1), and custom ratios are also available upon request. To enhance device and system robustness, the MAX5492 features  $\pm 2$ kV Human Body Model electrostatic discharge (ESD) protection to ensure against real-world ESD events. The MAX5492 is ideal for precision gain-setting applications where tight resistance matching and low temperature drift are necessary.

The MAX5492 is available in a space-saving 5-pin SOT23 package, and is guaranteed over the military  $-55^{\circ}$ C to  $+125^{\circ}$ C temperature range.

### Applications

Industrial Process Control  
Instrumentation  
Precision Gain Setting  
Medical Equipment  
Automatic Test Equipment  
Base Stations

### Features

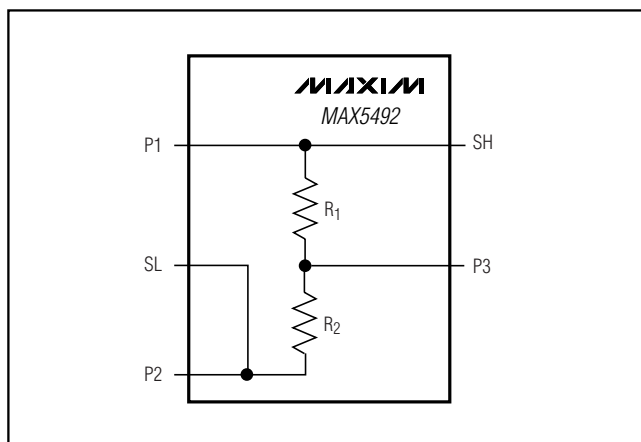
- ◆ Resistance Ratios from 1:1 to 10:1
- ◆ Custom Ratios Available Upon Request
- ◆ Tight Initial Ratio Accuracy
  - 0.035% (MAX5492A)
  - 0.05% (MAX5492B)
  - 0.1% (MAX5492C)
- ◆ Low 1.5ppm/ $^{\circ}$ C (typ) Resistor-Ratio-Drift (1.1:1)
- ◆ Up to 40V Operating Voltage Across Sum of R1 and R2
- ◆ Tiny 5-Pin SOT23 Package

### Ordering Information\*

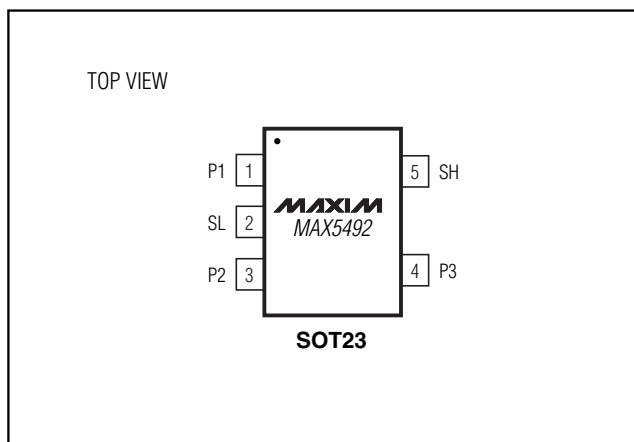
PART	TEMP RANGE	PIN-PACKAGE	RATIO ACCURACY (%)
MAX5492_A_ _ _ _ -T	$-55^{\circ}$ C to $+125^{\circ}$ C	5 SOT23-5	0.035
MAX5492_B_ _ _ _ -T	$-55^{\circ}$ C to $+125^{\circ}$ C	5 SOT23-5	0.05
MAX5492_C_ _ _ _ -T	$-55^{\circ}$ C to $+125^{\circ}$ C	5 SOT23-5	0.1

\*See the How to Order section for more details.

### Block Diagram



### Pin Configuration



# 10kΩ Precision-Matched Resistor-Divider in SOT23

## ABSOLUTE MAXIMUM RATINGS

Voltage Between P1 and P2 .....	±50V
Continuous Current into Any Pin.....	±4.2mA
Continuous Power Dissipation (T <sub>A</sub> = +70°C)	
5-Pin SOT23 (derate 7.1mW/°C above +70°C).....	571.4mW
5-Pin SOT23 (θ <sub>J-A</sub> ) .....	141°C/W

Operating Temperature Range .....	-55°C to +125°C
Junction Temperature .....	+150°C
Storage Temperature Range .....	-65°C to +150°C
Lead Temperature (soldering, 10s) .....	+300°C

Stresses beyond those listed under "Absolute Maximum Ratings" may cause permanent damage to the device. These are stress ratings only, and functional operation of the device at these or any other conditions beyond those indicated in the operational sections of the specifications is not implied. Exposure to absolute maximum rating conditions for extended periods may affect device reliability.

## DC ELECTRICAL CHARACTERISTICS

(T<sub>A</sub> = -55°C to +125°C, unless otherwise noted. Typical values are at T<sub>A</sub> = +25°C.) (Note 1)

PARAMETER	SYMBOL	CONDITIONS	MIN	TYP	MAX	UNITS
Initial Resistor-Ratio Error (Note 2)		MAX5492_A, T <sub>A</sub> = +25°C			±0.035	%
		MAX5492_B, T <sub>A</sub> = +25°C			±0.05	
		MAX5492_C, T <sub>A</sub> = +25°C			±0.1	
Resistance-Ratio Temperature Coefficient (Note 3)		Ratio 1.1:1		1.5		ppm/°C
		Ratio 1.5:1		3		
		Ratio 3.2:1 ≤ ratio ≤ 10:1		5.5		
Absolute Temperature Coefficient of Resistance	TCR	(Note 4)		35		ppm/°C
Voltage Coefficient of Resistance	VCR	(Note 5)		0.1		ppm/V
End-to-End Resistance (R <sub>1</sub> + R <sub>2</sub> )			9.25	10	10.75	kΩ
Continuous Working Voltage Between P1 and P2	V <sub>P1-P2</sub>		-40		+40	V
P1, P2, P3, SL, SH Capacitance				2		pF
Resistance-Ratio Stability		2000 hours at +70°C		±0.03		%
-3dB Bandwidth	f <sub>3dB</sub>	1.1:1 ratio (Note 6)		30		MHz
Thermal Noise		(Note 7)		45		μV <sub>RMS</sub>
Current Noise		(Note 8)		<-30		dB
Maximum Power Rating				160		mW

**Note 1:** The MAX5492 is 100% production tested at T<sub>A</sub> = +25°C. Specifications over -55°C to +125°C are guaranteed by design and characterization.

**Note 2:** Testing conditions: T<sub>A</sub> = +25°C, V<sub>P1-P2</sub> = 10V and 40V.

**Note 3:** Resistance-ratio temperature coefficient is defined  $\left| \frac{\Delta \left( \frac{R_1}{R_2} \right)}{\frac{R_1}{R_2} \times \Delta T} \right|$  and is guaranteed by design, not production tested.

**Note 4:** Absolute TCR is defined as  $\left| \frac{\Delta(R_1 + R_2)}{(R_1 + R_2) \times \Delta T} \right|$  and is tested at 10V and 40V.

**Note 5:** Resistance-ratio voltage coefficient is defined as  $\left| \frac{\Delta \left( \frac{R_1}{R_2} \right)}{\frac{R_1}{R_2} \times \Delta V} \right|$  and is guaranteed by design, not production tested.

# 10kΩ Precision-Matched Resistor-Divider in SOT23

## DC ELECTRICAL CHARACTERISTICS (continued)

(T<sub>A</sub> = -55°C to +125°C, unless otherwise noted. Typical values are at T<sub>A</sub> = +25°C.) (Note 1)

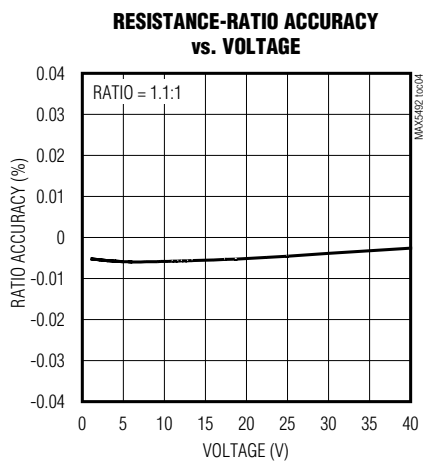
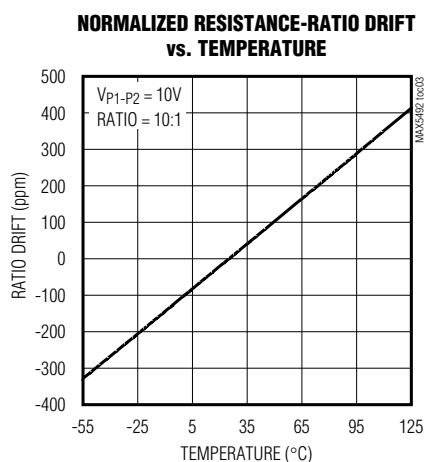
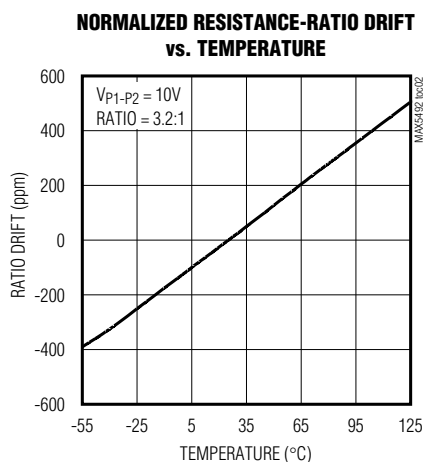
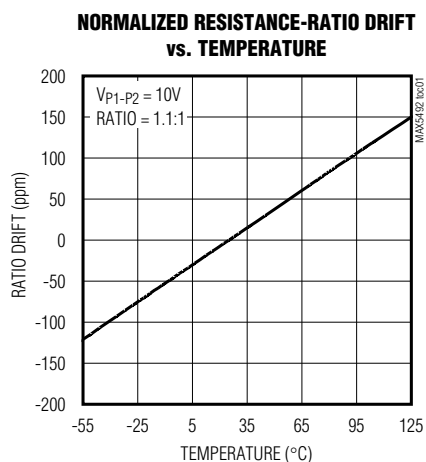
**Note 6:** Calculate bandwidth by using  $\frac{1}{2\pi RC}$  where C is C<sub>P3</sub> and  $R = \frac{R_1 \times R_2}{R_1 + R_2}$ .

**Note 7:** Calculated according to  $\sqrt{\frac{kT}{C}}$  noise.

**Note 8:** In accordance with the military specification MIL-STD-202G method 308.

## Typical Operating Characteristics

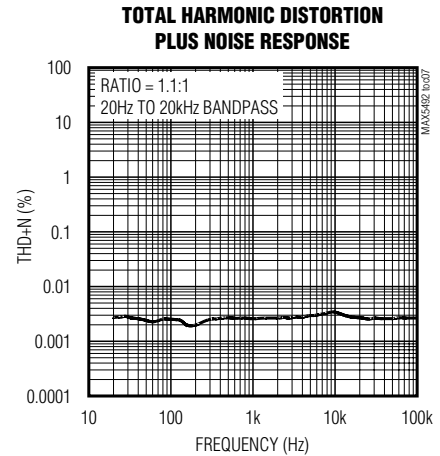
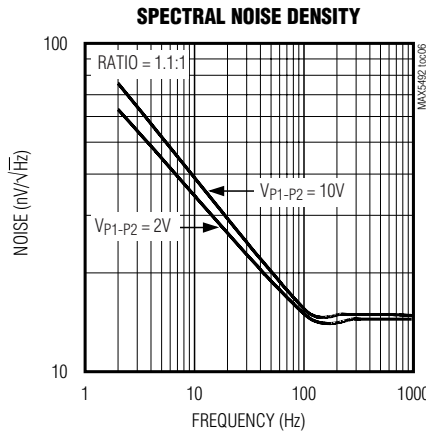
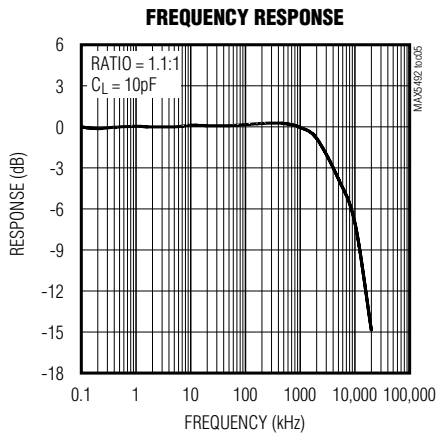
(V<sub>P1-P3</sub> = 10V, T<sub>A</sub> = +25°C, unless otherwise noted.)



# 10kΩ Precision-Matched Resistor-Divider in SOT23

## Typical Operating Characteristics (continued)

(V<sub>P1-P3</sub> = 10V, T<sub>A</sub> = +25°C, unless otherwise noted.)



## Pin Description

PIN	NAME	FUNCTION
1	P1	R1 Connection Terminal
2	SL	Sense Connection for Low Side of Resistor String. Leave floating or connect in a Kelvin connection configuration.
3	P2	R2 Connection Terminal
4	P3	Set-Point Connection Terminal
5	SH	Sense Connection for High Side of Resistor String. Leave floating or connect in a Kelvin connection configuration.

## Detailed Description

The MAX5492 consists of two precision, low-ratio-drift resistors with an end-to-end resistance of 10kΩ (R<sub>1</sub> + R<sub>2</sub>). (See Figure 1.) P3 is the set point of the divider. The maximum working voltage of the MAX5492 is 40V. This device offers a wide range of resistance ratios (R<sub>1</sub>/R<sub>2</sub>) from 1:1 to 10:1 and is ideally suited for precision operational-amplifier gain/attenuation control. The MAX5492 features a ±2kV ESD protection that enhances system robustness. A maximum initial ratio accuracy of 0.035% and a low ratio drift enhance system accuracy.

## Applications Information

### Kelvin Sensing

Kelvin sensing can improve accuracy in sensitive applications. Apply a voltage or current at P1 and use sense high (SH) and sense low (SL) to monitor the voltage at the upper and lower ends of the resistor string.

# 10kΩ Precision-Matched Resistor-Divider in SOT23

MAX5492

## Typical Applications

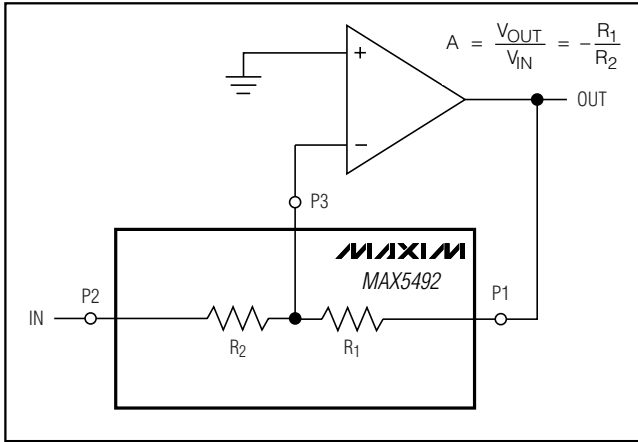


Figure 1. Inverting Amplifier Configuration

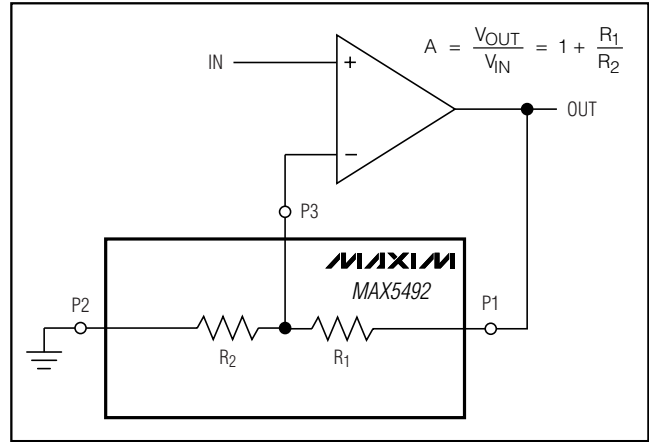


Figure 2. Noninverting Amplifier Configuration

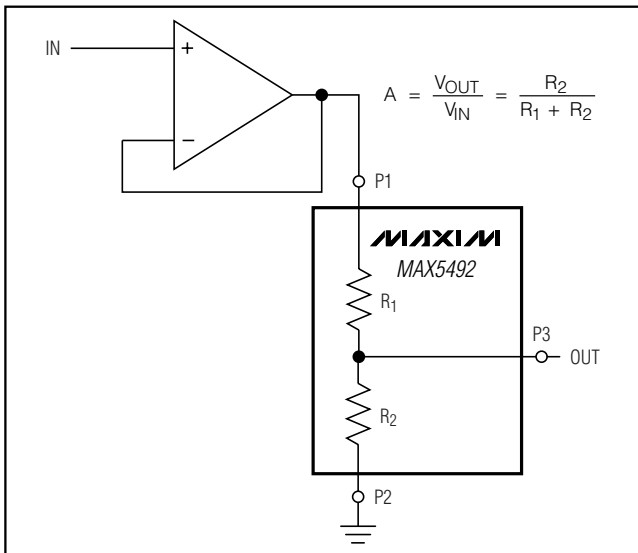


Figure 3. Buffered Attenuator

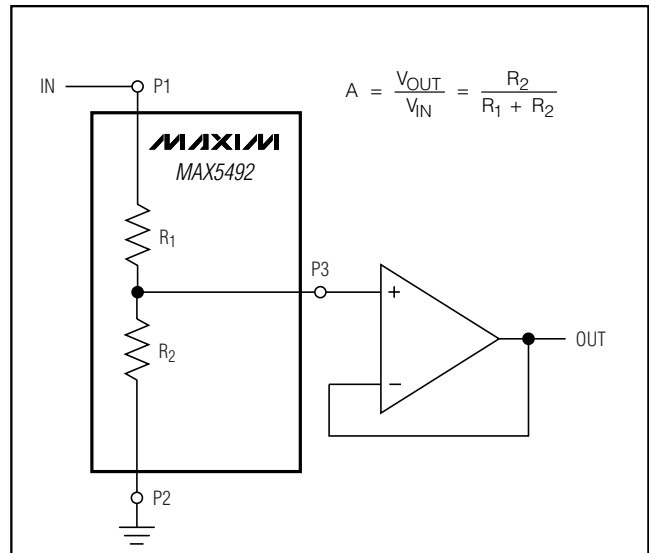


Figure 4. Attenuator with Buffer

### Self-Heating and Error

Applying a voltage across terminals P1 and P2 causes the device to heat up due to power dissipation. In high-voltage applications, consider the error in resistance-ratio temperature coefficient caused by self-heating. The worst-case self-heating occurs when the operating voltage attains its maximum value. Approximate the result of power dissipation under this condition as:

$$P_{DISS} = \frac{(V_{MAX})^2}{R} = \frac{(40V)^2}{10k\Omega} = 160mW$$

The thermal resistance from junction to ambient,  $\theta_{J-A}$ , for a 5-pin SOT23 package is 141°C/W. Calculate the resulting temperature rise as:

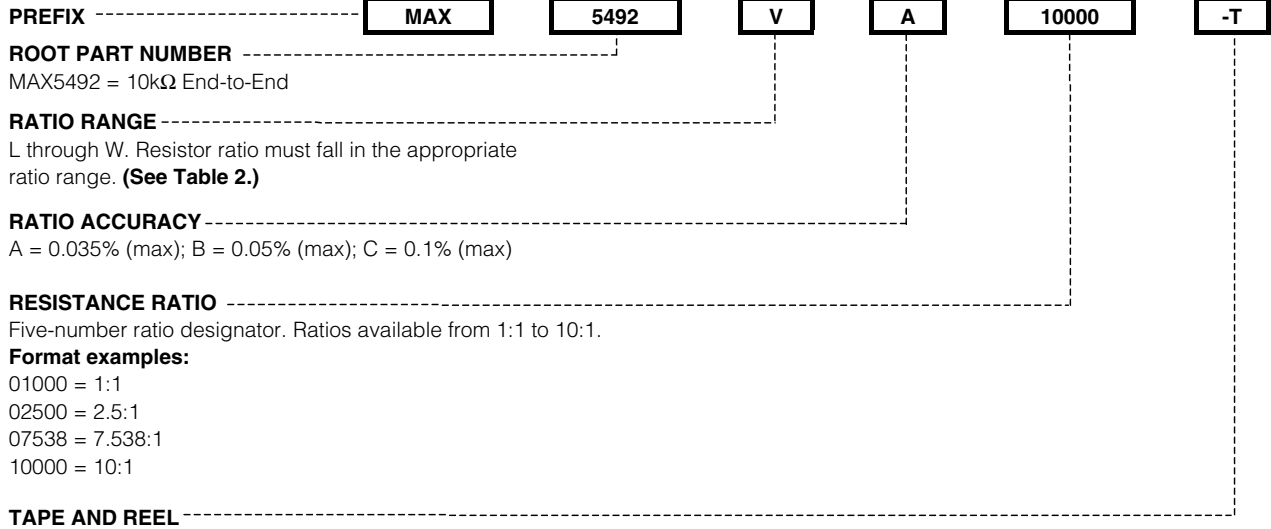
$$\Delta T = 160mW \times 141^\circ C/W = 22.5^\circ C$$

If the ratio temperature coefficient is 1.5ppm/°C (typ), the total error introduced by self-heating is:

$$22.5^\circ C \times 1.5ppm/^\circ C = 33.75ppm$$

# 10kΩ Precision-Matched Resistor-Divider in SOT23

## How to Order



### Example Part Numbers

PART NUMBER	RESISTOR-RATIO RANGE	RESISTOR-RATIO ACCURACY (% MAX)	RESISTOR RATIO
MAX5492PA02500-T	2.000 to 2.999	0.035	2.5:1
MAX5492RB03000-T	3.000 to 3.999	0.05	3:1
MAX5492UA07538-T	7.538 to 10.0	0.035	7.538:1

# 10k $\Omega$ Precision-Matched Resistor-Divider in SOT23

MAX5492

**Table 1. Standard Ratios\***

PART NUMBER	RESISTOR RATIO	RESISTOR-RATIO SUFFIX	RESISTOR-RATIO ACCURACY (% MAX)	TOP MARK
MAX5492RA01100-T	1.1:1	01100	0.035	AERA
MAX5492RB01100-T	1.1:1	01100	0.05	AERC
MAX5492RC01100-T	1.1:1	01100	0.1	AERE
MAX5492PA01500-T	1.5:1	01500	0.035	AEQU
MAX5492PB01500-T	1.5:1	01500	0.05	AEQW
MAX5492PC01500-T	1.5:1	01500	0.1	AEQY
MAX5492PA03200-T	3.2:1	03200	0.035	AEVE
MAX5492PB03200-T	3.2:1	03200	0.05	AEVF
MAX5492PC03200-T	3.2:1	03200	0.1	AEVG
MAX5492LA07538-T	7.538:1	07538	0.035	AEQB
MAX5492LB07538-T	7.538:1	07538	0.05	AEQD
MAX5492LC07538-T	7.538:1	07538	0.1	AEQF
MAX5492LA10000-T	10:1	10000	0.035	AEQC
MAX5492LB10000-T	10:1	10000	0.05	AEQE
MAX5492LC10000-T	10:1	10000	0.1	AEQG

\*Standard ratios are available for ordering in any quantity. Nonstandard ratios are also available for values from 1:1 to 10:1. A minimum order quantity of 10,000 units is required for nonstandard ratios. Contact factory for more information.

**Table 2. Ratio Ranges**

LETTER SUFFIX	RESISTOR-RATIO RANGE
R	1.0 to 1.399
P	1.4 to 1.999
N	2.0 to 2.999
M	3.0 to 7.537
L	7.538 to 10

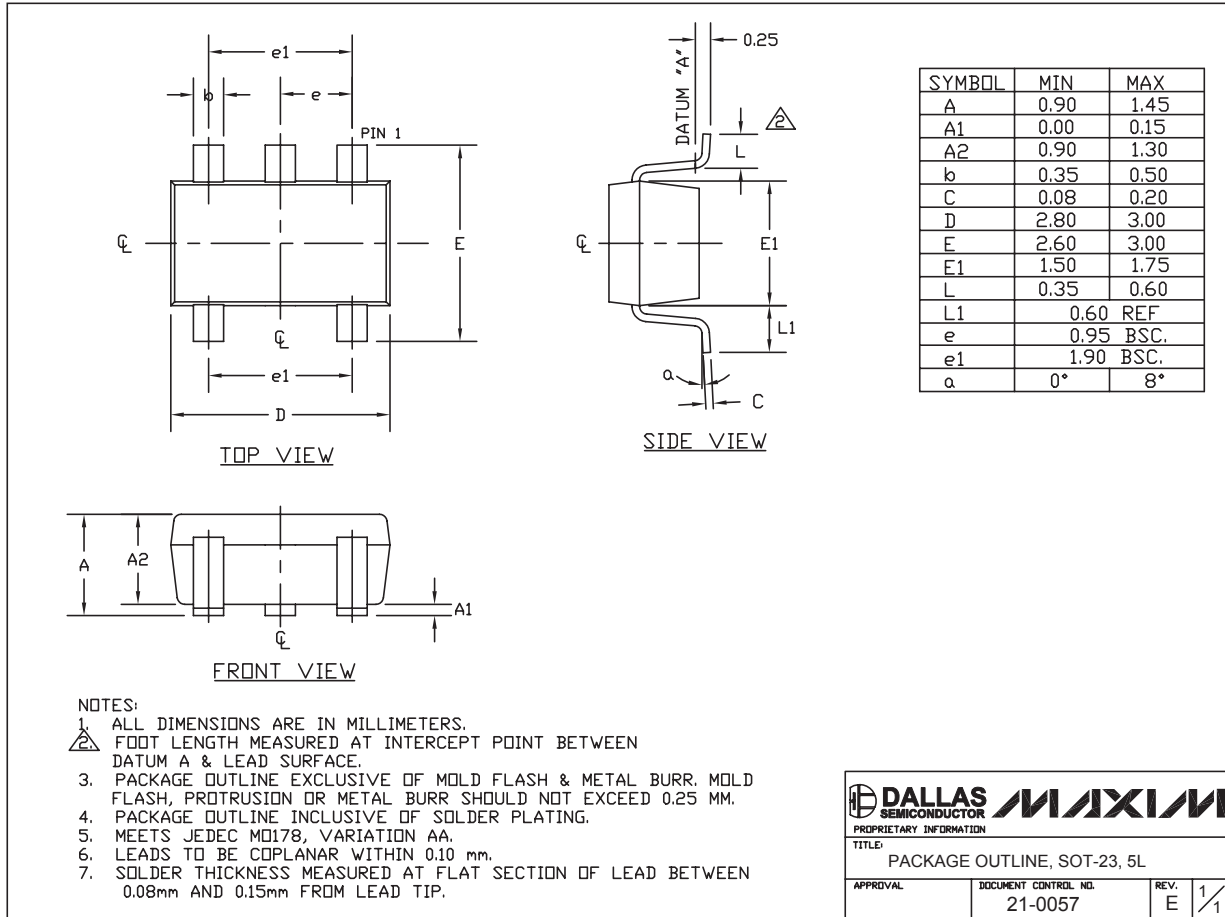
## Chip Information

TRANSISTOR COUNT: 0  
PROCESS: BiCMOS

# 10kΩ Precision-Matched Resistor-Divider in SOT23

## Package Information

(The package drawing(s) in this data sheet may not reflect the most current specifications. For the latest package outline information, go to [www.maxim-ic.com/packages](http://www.maxim-ic.com/packages).)



SOT-23 5L .EPS

**DALLAS SEMICONDUCTOR** **MAXIM**

PROPRIETARY INFORMATION

TITLE: PACKAGE OUTLINE, SOT-23, 5L

APPROVAL	DOCUMENT CONTROL NO. 21-0057	REV. E	1/1
----------	---------------------------------	-----------	-----

Maxim cannot assume responsibility for use of any circuitry other than circuitry entirely embodied in a Maxim product. No circuit patent licenses are implied. Maxim reserves the right to change the circuitry and specifications without notice at any time.

8 **Maxim Integrated Products, 120 San Gabriel Drive, Sunnyvale, CA 94086 408-737-7600**






SITE SEARCH

PART NO SEARCH

Maxim > Products > Digital Potentiometers

# MAX5492

10kΩ Precision-Matched Resistor-Divider in SOT23

- QuickView
- Technical Documents
- Ordering Info
- More Information
- All

## Ordering Information

Notes:

- Other options and links for purchasing parts are listed at: <http://www.maxim-ic.com/sales>.
- Didn't Find What You Need? Ask our applications engineers. Expert assistance in finding parts, usually within one business day.
- Part number suffixes: T or T&R = tape and reel; + = RoHS/lead-free; # = RoHS/lead-exempt. More: See [Full Data Sheet](#) or [Part Naming Conventions](#).
- \* Some packages have variations, listed on the drawing. "PkgCode/Variation" tells which variation the product uses.

### Devices: 1-51 of 51

MAX5492	Free Sample	Buy	Package: TYPE PINS FOOTPRINT DRAWING CODE/VAR *	Temp	RoHS/Lead-Free? Materials Analysis
MAX5492LB10000+	<input type="checkbox"/>	<input type="checkbox"/>		-55C to +125C	RoHS/Lead-Free: See data sheet
MAX5492LA07538+	<input type="checkbox"/>	<input type="checkbox"/>		-55C to +125C	RoHS/Lead-Free: See data sheet
MAX5492LA10000+	<input type="checkbox"/>	<input type="checkbox"/>		-55C to +125C	RoHS/Lead-Free: See data sheet
MAX5492LB07538+	<input type="checkbox"/>	<input type="checkbox"/>		-55C to +125C	RoHS/Lead-Free: See data sheet
MAX5492PC03200-T	<input type="checkbox"/>	<input type="checkbox"/>		-55C to +125C	RoHS/Lead-Free: See data sheet
MAX5492PB03200-T	<input type="checkbox"/>	<input type="checkbox"/>		-55C to +125C	RoHS/Lead-Free: See data sheet
MAX5492LC07538+	<input type="checkbox"/>	<input type="checkbox"/>		-55C to +125C	RoHS/Lead-Free: See data sheet
MAX5492PA03200-T	<input type="checkbox"/>	<input type="checkbox"/>		-55C to +125C	RoHS/Lead-Free: See data sheet
MAX5492PC01500+	<input type="checkbox"/>	<input type="checkbox"/>		-55C to +125C	RoHS/Lead-Free: See data sheet
MAX5492RC01100+	<input type="checkbox"/>	<input type="checkbox"/>		-55C to +125C	RoHS/Lead-Free: See data sheet
MAX5492PA01500+	<input type="checkbox"/>	<input type="checkbox"/>		-55C to +125C	RoHS/Lead-Free: See data sheet
MAX5492PB01500+	<input type="checkbox"/>	<input type="checkbox"/>		-55C to +125C	RoHS/Lead-Free: See data sheet
MAX5492RA01100+	<input type="checkbox"/>	<input type="checkbox"/>		-55C to +125C	RoHS/Lead-Free: See data sheet

MAX5492RB01100+				-55C to +125C	RoHS/Lead-Free: See data sheet
MAX5492PB01500			SOT-23;5 pin;9 mm Dwg: <a href="#">21-0057F</a> (PDF) Use pkgcode/variation: U5-1*	-55C to +125C	RoHS/Lead-Free: See data sheet <a href="#">Materials Analysis</a>
MAX5492PC01500			SOT-23;5 pin;9 mm Dwg: <a href="#">21-0057F</a> (PDF) Use pkgcode/variation: U5-1*	-55C to +125C	RoHS/Lead-Free: See data sheet <a href="#">Materials Analysis</a>
MAX5492RA01100			SOT-23;5 pin;9 mm Dwg: <a href="#">21-0057F</a> (PDF) Use pkgcode/variation: U5-1*	-55C to +125C	RoHS/Lead-Free: <b>No</b> <a href="#">Materials Analysis</a>
MAX5492RB01100			SOT-23;5 pin;9 mm Dwg: <a href="#">21-0057F</a> (PDF) Use pkgcode/variation: U5-1*	-55C to +125C	RoHS/Lead-Free: See data sheet <a href="#">Materials Analysis</a>
MAX5492RC01100			SOT-23;5 pin;9 mm Dwg: <a href="#">21-0057F</a> (PDF) Use pkgcode/variation: U5-1*	-55C to +125C	RoHS/Lead-Free: See data sheet <a href="#">Materials Analysis</a>
MAX5492LC10000+			SOT-23;5 pin;9 mm Dwg: <a href="#">21-0057F</a> (PDF) Use pkgcode/variation: U5+1*	-55C to +125C	RoHS/Lead-Free: <b>Lead Free</b> <a href="#">Materials Analysis</a>
MAX5492PA01500			SOT-23;5 pin;9 mm Dwg: <a href="#">21-0057F</a> (PDF) Use pkgcode/variation: U5-1*	-55C to +125C	RoHS/Lead-Free: <b>No</b> <a href="#">Materials Analysis</a>
MAX5492LC10000			SOT-23;5 pin;9 mm Dwg: <a href="#">21-0057F</a> (PDF) Use pkgcode/variation: U5-1*	-55C to +125C	RoHS/Lead-Free: See data sheet <a href="#">Materials Analysis</a>
MAX5492LA07538			SOT-23;5 pin;9 mm Dwg: <a href="#">21-0057F</a> (PDF) Use pkgcode/variation: U5-1*	-55C to +125C	RoHS/Lead-Free: <b>No</b> <a href="#">Materials Analysis</a>
MAX5492LA10000			SOT-23;5 pin;9 mm Dwg: <a href="#">21-0057F</a> (PDF) Use pkgcode/variation: U5-1*	-55C to +125C	RoHS/Lead-Free: <b>No</b> <a href="#">Materials Analysis</a>
MAX5492LB07538			SOT-23;5 pin;9 mm Dwg: <a href="#">21-0057F</a> (PDF) Use pkgcode/variation: U5-1*	-55C to +125C	RoHS/Lead-Free: See data sheet <a href="#">Materials Analysis</a>
MAX5492LB10000			SOT-23;5 pin;9 mm Dwg: <a href="#">21-0057F</a> (PDF) Use pkgcode/variation: U5-1*	-55C to +125C	RoHS/Lead-Free: See data sheet <a href="#">Materials Analysis</a>
MAX5492LC07538			SOT-23;5 pin;9 mm Dwg: <a href="#">21-0057F</a> (PDF) Use pkgcode/variation: U5-1*	-55C to +125C	RoHS/Lead-Free: See data sheet <a href="#">Materials Analysis</a>
MAX5492LC07538-T			SOT-23;5 pin;9 mm Dwg: <a href="#">21-0057F</a> (PDF) Use pkgcode/variation: U5-1*	-55C to +125C	RoHS/Lead-Free: See data sheet <a href="#">Materials Analysis</a>
MAX5492PB01500+T				-55C to +125C	RoHS/Lead-Free: See data sheet
MAX5492LB10000-T			SOT-23;5 pin;9 mm Dwg: <a href="#">21-0057F</a> (PDF) Use pkgcode/variation: U5-1*	-55C to +125C	RoHS/Lead-Free: See data sheet <a href="#">Materials Analysis</a>
MAX5492PC01500+T				-55C to +125C	RoHS/Lead-Free: See data sheet
MAX5492PA01500-T			SOT-23;5 pin;9 mm Dwg: <a href="#">21-0057F</a> (PDF) Use pkgcode/variation: U5-1*	-55C to +125C	RoHS/Lead-Free: <b>No</b> <a href="#">Materials Analysis</a>
MAX5492RA01100+T				-55C to +125C	RoHS/Lead-Free: See data sheet
MAX5492LB07538-T			SOT-23;5 pin;9 mm Dwg: <a href="#">21-0057F</a> (PDF) Use pkgcode/variation: U5-1*	-55C to +125C	RoHS/Lead-Free: See data sheet <a href="#">Materials Analysis</a>
MAX5492RB01100+T				-55C to +125C	RoHS/Lead-Free: See data sheet
MAX5492LA10000-T			SOT-23;5 pin;9 mm Dwg: <a href="#">21-0057F</a> (PDF) Use pkgcode/variation: U5-1*	-55C to +125C	RoHS/Lead-Free: <b>No</b> <a href="#">Materials Analysis</a>

MAX5492RC01100+T				-55C to +125C	RoHS/Lead-Free: See data sheet
MAX5492PA01500+T				-55C to +125C	RoHS/Lead-Free: See data sheet
MAX5492LC10000-T			SOT-23;5 pin;9 mm Dwg: <a href="#">21-0057F</a> (PDF) Use pkgcode/variation: U5-1*	-55C to +125C	RoHS/Lead-Free: See data sheet <a href="#">Materials Analysis</a>
MAX5492LC10000+T			SOT-23;5 pin;9 mm Dwg: <a href="#">21-0057F</a> (PDF) Use pkgcode/variation: U5+1*	-55C to +125C	RoHS/Lead-Free: <a href="#">Lead Free</a> <a href="#">Materials Analysis</a>
MAX5492LA07538+T				-55C to +125C	RoHS/Lead-Free: See data sheet
MAX5492RC01100-T			SOT-23;5 pin;9 mm Dwg: <a href="#">21-0057F</a> (PDF) Use pkgcode/variation: U5-1*	-55C to +125C	RoHS/Lead-Free: See data sheet <a href="#">Materials Analysis</a>
MAX5492LA10000+T				-55C to +125C	RoHS/Lead-Free: See data sheet
MAX5492RB01100-T			SOT-23;5 pin;9 mm Dwg: <a href="#">21-0057F</a> (PDF) Use pkgcode/variation: U5-1*	-55C to +125C	RoHS/Lead-Free: See data sheet <a href="#">Materials Analysis</a>
MAX5492LB07538+T				-55C to +125C	RoHS/Lead-Free: See data sheet
MAX5492RA01100-T			SOT-23;5 pin;9 mm Dwg: <a href="#">21-0057F</a> (PDF) Use pkgcode/variation: U5-1*	-55C to +125C	RoHS/Lead-Free: <a href="#">No</a> <a href="#">Materials Analysis</a>
MAX5492LB10000+T				-55C to +125C	RoHS/Lead-Free: See data sheet
MAX5492PC01500-T			SOT-23;5 pin;9 mm Dwg: <a href="#">21-0057F</a> (PDF) Use pkgcode/variation: U5-1*	-55C to +125C	RoHS/Lead-Free: See data sheet <a href="#">Materials Analysis</a>
MAX5492LC07538+T				-55C to +125C	RoHS/Lead-Free: See data sheet
MAX5492PB01500-T			SOT-23;5 pin;9 mm Dwg: <a href="#">21-0057F</a> (PDF) Use pkgcode/variation: U5-1*	-55C to +125C	RoHS/Lead-Free: See data sheet <a href="#">Materials Analysis</a>
MAX5492LA07538-T			SOT-23;5 pin;9 mm Dwg: <a href="#">21-0057F</a> (PDF) Use pkgcode/variation: U5-1*	-55C to +125C	RoHS/Lead-Free: <a href="#">No</a> <a href="#">Materials Analysis</a>

#### Didn't Find What You Need?

- [Next Day Product Selection Assistance from Applications Engineers](#)
- [Parametric Search](#)
- [Applications Help](#)

#### QuickView

[Description](#)  
[Key Features](#)  
[Applications/Uses](#)  
[Key Specifications](#)  
[Diagram](#)

#### Technical Documents

[Data Sheet](#)  
[Application Notes](#)  
[Design Guides](#)  
[Engineering Journals](#)  
[Reliability Reports](#)  
[Software/Models](#)  
[Evaluation Kits](#)

#### Ordering Info

[Price and Availability](#)  
[Samples](#)  
[Buy Online](#)  
[Package Information](#)  
[Lead-Free Information](#)

#### More Information

[Related Products](#)  
[Notes and Comments](#)  
[Evaluation Kits](#)

Document Ref.: 19-3695; Rev 0; 2005-05-31  
This page last modified: 2005-06-07

[CONTACT US: SEND US AN EMAIL](#)