



CMOS Dual 12-Bit Double-Buffered μ P-Compatible DAC

MX7549

General Description

Maxim's MX7549 is a dual, 12-bit, four-quadrant multiplying, current-output D/A converter (DAC) with 1% DAC-to-DAC matching. Thin-film resistors, laser-trimmed at the wafer level, maintain full accuracy over the operating temperature range. Other features include $\pm 1/2$ LSB maximum integral nonlinearity, ± 3 LSB full-scale error, and ± 5 ppm/ $^{\circ}$ C gain temperature coefficient.

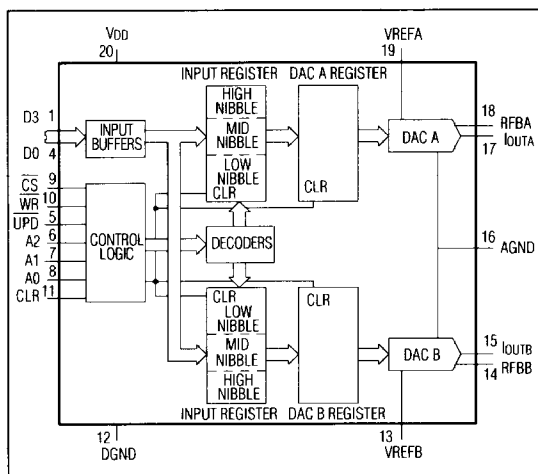
Three address lines controlled by standard CHIP SELECT (CS) and WRITE (WR) signals simplify microprocessor (μ P) interfacing. Each DAC is loaded in three 4-bit nibbles. The UPDATE (UPD) input updates the output of both DACs simultaneously.

All digital inputs are TTL, 74HC, and +5V CMOS compatible. The MX7549 operates from a single +5V to +15V supply and is pin-compatible with the AD7549.

Applications

- Automatic Test Equipment (ATE)
- Microprocessor-Based Process Control
- Programmable Power Supplies
- Programmable Filters
- Synchro Applications

Functional Diagram



Features

- ◆ Two 12-Bit, Double-Buffered DACs in One Package
- ◆ 4-Bit Microprocessor Interface
- ◆ Four-Quadrant Multiplication
- ◆ 1% DAC-to-DAC Matching
- ◆ $\pm 1/2$ LSB Max Integral Nonlinearity
- ◆ ± 3 LSB Max Full-Scale Error
- ◆ ± 5 ppm/ $^{\circ}$ C Max Gain Tempco
- ◆ Operates with a Single +5V to +15V Supply
- ◆ Pin-Compatible with the AD7549

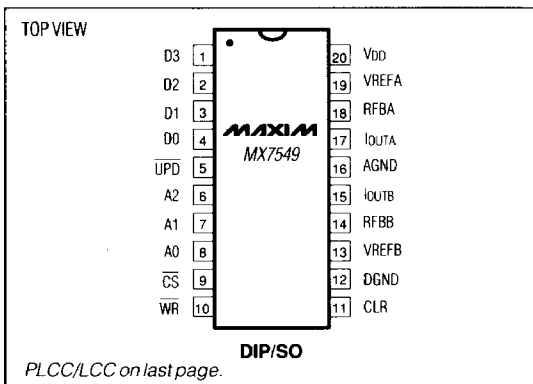
Ordering Information

PART	TEMP. RANGE	PIN-PACKAGE	ERROR (LSBs)
MX7549JN	0 $^{\circ}$ C to +70 $^{\circ}$ C	20 Plastic DIP	± 1
MX7549KN	0 $^{\circ}$ C to +70 $^{\circ}$ C	20 Plastic DIP	$\pm 1/2$
MX7549JCWP	0 $^{\circ}$ C to +70 $^{\circ}$ C	20 Wide SO	± 1
MX7549KCWP	0 $^{\circ}$ C to +70 $^{\circ}$ C	20 Wide SO	$\pm 1/2$
MX7549JP	0 $^{\circ}$ C to +70 $^{\circ}$ C	20 PLCC	± 1
MX7549KP	0 $^{\circ}$ C to +70 $^{\circ}$ C	20 PLCC	$\pm 1/2$
MX7549JC/D	0 $^{\circ}$ C to +70 $^{\circ}$ C	Dice*	± 1
MX7549AQ	-40 $^{\circ}$ C to +85 $^{\circ}$ C	20 CERDIP	± 1
MX7549BQ	-40 $^{\circ}$ C to +85 $^{\circ}$ C	20 CERDIP	$\pm 1/2$
MX7549SE	-55 $^{\circ}$ C to +125 $^{\circ}$ C	20 LCC**	± 1
MX7549TE	-55 $^{\circ}$ C to +125 $^{\circ}$ C	20 LCC**	$\pm 1/2$
MX7549SQ	-55 $^{\circ}$ C to +125 $^{\circ}$ C	20 CERDIP**	± 1
MX7549TQ	-55 $^{\circ}$ C to +125 $^{\circ}$ C	20 CERDIP**	$\pm 1/2$

*Contact factory for dice specifications.

**Contact factory for availability and processing to MIL-STD-883.

Pin Configurations



PLCC/LCC on last page.

CMOS Dual 12-Bit Double-Buffered μ P-Compatible DAC

ABSOLUTE MAXIMUM RATINGS

V _{DD} to DGND	-0.3V to +17V
VREFA to AGND	±25V
VREFB to AGND	±25V
VRFB A to AGND	±25V
VRFB B to AGND	±25V
AGND to DGND	-0.3V to V _{DD} +0.3V
Digital Input Voltage to DGND	-0.3V to V _{DD} +0.3V
Analog Outputs to DGND	-0.3V to V _{DD} +0.3V

Power Dissipation to +75°C (any package)	550mW
Derate above +75°C by	10mW/°C
Operating Temperature Ranges:	
MX7549J_/K_	0°C to +70°C
MX7549AQ/BQ	-40°C to +85°C
MX7549S_/T_	-55°C to +125°C
Storage Temperature	-65°C to +150°C
Lead Temperature (Soldering, 10 sec.)	+300°C

Stresses beyond those listed under "Absolute Maximum Ratings" may cause permanent damage to the device. These are stress ratings only, and functional operation of the device at these or any other conditions beyond those indicated in the operational sections of the specifications is not implied. Exposure to absolute maximum rating conditions for extended periods may affect device reliability.

ELECTRICAL CHARACTERISTICS

(V_{DD} = +15V ±5%; VREFA = VREFB = +10V; I_{OUTA} = I_{OUTB} = AGND = DGND = 0V; All Grades; T_A = T_{MIN} to T_{MAX}, unless otherwise noted.) (Note 1)

PARAMETER	SYMBOL	CONDITIONS		MIN	TYP	MAX	UNITS	
ACCURACY								
Resolution	N			12			Bits	
Integral Nonlinearity	INL		J/A/S			±1	LSB	
			K/B/T			±1/2		
Differential Nonlinearity	DNL	Guaranteed monotonic over temperature				±1	LSB	
Full-Scale Error			J/A/S			±6	LSB	
			K/B/T			±3		
Gain Temperature Coefficient (Note 2)	Δ Gain/ Δ Temp				±1	±5	ppm/°C	
Output Leakage Current	I _{OUT}	DAC_ Register loaded with all 0's	T _A = +25°C			20	nA	
			T _A = T _{MIN} to T _{MAX}	J/K/A/B				150
				S/T				250
Reference Input Resistance				7	11	18	k Ω	
VREFA, VREFB Input Resistance Match	VREF		J/A/S			±1	±3	%
			K/B/T			±1	±2	
DYNAMIC PERFORMANCE (Note 3)								
Output-Current Settling Time (Note 4)	t _s		T _A = +25°C		0.8	1.5	μ s	
AC Feedthrough VREF_ to IOUT_ (Note 5)			T _A = +25°C			-70	dB	
			T _A = T _{MIN} to T _{MAX}			-65		
Digital-to-Analog Glitch Impulse	Q	Note 6	T _A = +25°C			10	(nV)(s)	
Output Capacitance	C _{OUT}	DAC_ loaded with all 0's				40	80	pF
		DAC_ loaded with all 1's				100	160	
Channel-to-Channel Isolation VREF_ to IOUT_		VREFA = 20Vp-p 100kHz sine wave, VREFB = 0V or VREFB = 20Vp-p 100kHz sine wave, VREFA = 0V				-62	dB	
Digital Crosstalk		For code transitions from all 0's to all 1's				10	(nV)(s)	
Output-Noise Voltage Density		From RFBA to I _{OUTA} and from RFBB to I _{OUTB} . 10Hz to 100kHz.				15	nV/ \sqrt Hz	
Harmonic Distortion	THD	V _{IN} = 6Vrms 1kHz				-90	dB	

CMOS Dual 12-Bit Double-Buffered μ P-Compatible DAC

MX7549

ELECTRICAL CHARACTERISTICS (continued)

($V_{DD} = +15V \pm 5\%$; $V_{REFA} = V_{REFB} = +10V$; $I_{OUTA} = I_{OUTB} = AGND = DGND = 0V$; All Grades; $T_A = T_{MIN}$ to T_{MAX} , unless otherwise noted.) (Note 1)

PARAMETER	SYMBOL	CONDITIONS	MIN	TYP	MAX	UNITS
DIGITAL INPUTS						
Input Current	I_{IN}	$V_{IN} = V_{DD}$	$T_A = +25^\circ C$		± 1	μA
			$T_A = T_{MIN}$ to T_{MAX}		± 10	
Input Low Voltage	V_{IL}				0.8	V
Input High Voltage	V_{IH}		2.4			V
Input Capacitance (Note 3)	C_{IN}				7	pF
POWER REQUIREMENTS						
Power Supply	I_{DD}	All digital inputs at V_{IH}			3	mA
Power-Supply Rejection	$\frac{\Delta Gain}{\Delta V_{DD}}$	$V_{DD} = 10.8V$ to $15.75V$		± 0.0005	± 0.002	%/%

TIMING CHARACTERISTICS

($V_{DD} = +15V$, $V_{REFA} = V_{REFB} = +10V$; $I_{OUTA} = I_{OUTB} = AGND = DGND = 0V$; All Grades; $T_A = T_{MIN}$ to T_{MAX} , unless otherwise noted.) (Note 1)

PARAMETER	SYMBOL	CONDITIONS	MIN	TYP	MAX	UNITS
Address Valid to Write Setup Time	t_1	$T_A = +25^\circ C$		50		ns
		$T_A = T_{MIN}$ to T_{MAX}	J/A	75		
			S/T	90		
Address Valid to Write Hold Time	t_2			0		ns
Data Setup Time	t_3	$T_A = +25^\circ C$		70		ns
		$T_A = T_{MIN}$ to T_{MAX}	J/A	95		
			S/T	120		
Data Hold Time	t_4			0		ns
Chip Select or Update to Write Setup Time	t_5			0		ns
Chip Select or Update to Write Hold Time	t_6			0		ns
Write Pulse Width	t_7	$T_A = +25^\circ C$		50		ns
		$T_A = T_{MIN}$ to T_{MAX}	J/A	75		
			S/T	90		
Clear Pulse Width	t_8	$T_A = +25^\circ C$		50		ns
		$T_A = T_{MIN}$ to T_{MAX}	J/A	75		
			S/T	90		

Note 1: At $V_{DD} = +5V$, the device is functional with degraded performance. Performance at power-supply tolerance limits is guaranteed by Power-Supply Rejection test.

Note 2: Guaranteed by design.

Note 3: These characteristics are for design guidance only and are not subject to test.

Note 4: Measured to 0.01% of full-scale range. I_{OUT} Load = 100Ω . $C_{EXT} = 13pF$. DAC output measured from falling edge of \overline{WR} .

Note 5: $V_{REF-} = 20Vp-p$ 10kHz sine wave. DAC register is loaded with all zeros.

Note 6: Measured with $V_{REFA} = V_{REFB} = 0V$. I_{OUTA} , I_{OUTB} load = 100Ω . $C_{EXT} = 13pF$. DAC registers alternately loaded with all 0's and 1's.

CMOS Dual 12-Bit Double-Buffered μ P-Compatible DAC

Pin Description

PIN	NAME	FUNCTION
1	D3	Data Bit 3, 7, or 11 (MSBs)
2	D2	Data Bit 2, 6, or 10
3	D1	Data Bit 1, 5, or 9
4	D0	Data Bit 0, 4, or 8 (LSBs)
5	UPD	UPDATE Input - active low. Updates both DAC registers simultaneously from input registers.
6-8	A2-A0	Address Lines 2 - 0
9	CS	CHIP SELECT Input - active low
10	WR	WRITE Input - active low
11	CLR	CLEAR Input - active high. Clears all registers.
12	DGND	Digital Ground
13	VREFB	Voltage Reference Input to DAC B
14	RFBB	Feedback Resistor for DAC B
15	IOUTB	DAC B Output
16	AGND	Analog Ground
17	IOUTA	DAC A Output
18	RFBA	Feedback Resistor for DAC A
19	VREFA	Voltage Reference Input to DAC A
20	VDD	Supply Voltage Input

Detailed Description

The nibble input registers of both DACs share a common 4-bit input buffer. Address inputs A2 - A0 select which DAC will receive a 4-bit nibble from the input data bus. With CS, the address lines, and WR low, the low-nibble (4 least significant bits (LSBs)) from the input buffer transfers to the DAC A low-nibble register (Table 1). The mid- and high-nibbles (4 mid and most significant bits (MSBs)) are then transferred in two additional WRITE cycles, reflecting the subsequent 3-bit address codes. The 4th WRITE cycle transfers the 12-bit data from the DAC A nibble input registers to the DAC A register. The DAC B register is loaded in a similar manner. With CS high, UPD low, and after all nibble input registers are loaded, strobing WR

updates DAC A and DAC B registers simultaneously, eliminating one WRITE cycle. All digital inputs incorporate standard protection circuitry and are TTL, 74HC, and +5V CMOS compatible.

D/A Converter

The basic MX7549 circuit includes two identical DACs with laser-trimmed, thin-film (R-2R) arrays with NMOS current-steering switches (Figure 1). Binary-weighted currents switch between AGND and the output, depending on the status of each input data bit.

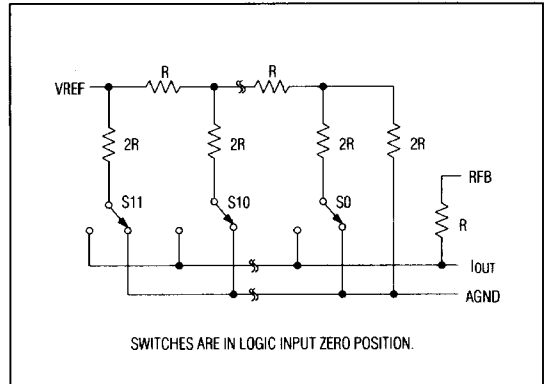


Figure 1. MX7549 Simplified DAC Schematic

The current output can be converted to a voltage by adding an external output amplifier (Figures 3, 4). The VREF input accepts a wide range of signals, including fixed and time-varying voltage or current inputs. Consider the temperature coefficient of R1 (R3) and R2 (R4) to minimize gain variation with temperature. The internal feedback resistor is compensated with an NMOS switch that matches the NMOS switches used in the R-2R array. This yields excellent supply rejection and gain temperature coefficients.

The output capacitance, C_{OUT} , is code dependent and is typically 40pF with DAC loaded with all zeros, or 100pF with all ones.

Digital Circuit

Logic inputs are TTL, 74HC, and +5V CMOS compatible (0.8V and 2.4V) at $V_{DD} = +12V$ to +15V. DAC supply current can be reduced below specified levels by keeping digital input voltages as close to the logic supply and ground as possible (as with CMOS logic levels).

CMOS Dual 12-Bit Double-Buffered μ P-Compatible DAC

MX7549

Interface

Table 1. MX7549 Truth Table

CLR	UPD	CS	WR	A2	A1	A0	FUNCTION
0	X	X	1	X	X	X	No data transfer
0	1	1	X	X	X	X	No data transfer
1	X	X	X	X	X	X	All registers cleared
0	1	0		0	0	0	DAC A low-nibble register loaded from data bus
0	1	0		0	0	1	DAC A mid-nibble register loaded from data bus
0	1	0		0	1	0	DAC A high-nibble register loaded from data bus
0	1	0		0	1	1	DAC A register loaded from nibble registers
0	1	0		1	0	0	DAC B low-nibble register loaded from data bus
0	1	0		1	0	1	DAC B mid-nibble register loaded from data bus
0	1	0		1	1	0	DAC B high-nibble register loaded from data bus
0	1	0		1	1	1	DAC B register loaded from nibble registers
0	0	1		X	X	X	DAC A and B registers updated simultaneously

Note: X = Don't care

Figure 2 shows the timing diagram for the MX7549. A2, A1, and A0 select the nibble (low, mid, or high) input registers for DAC A or DAC B (Table 1). Data is transferred on the falling edge of WR with CS and CLEAR (CLR) low. When loading the high-nibble register, D11 is the MSB of the 4-bit data input. Similarly, D7 is the MSB for the mid nibble, and D3 is the MSB for the low nibble. Once the nibble input registers are loaded, the appropriate DAC register is selected and the data transferred. When UPD and CLR are low and CS high, the DAC registers are updated simultaneously when WR goes active (low).

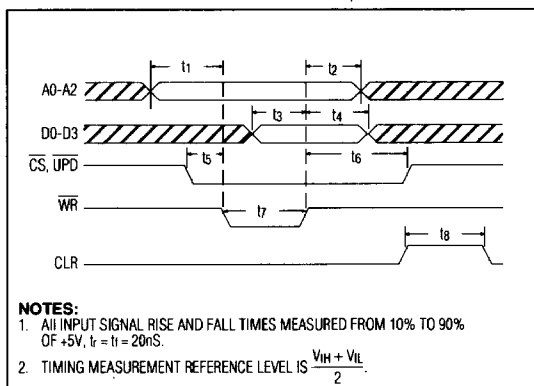


Figure 2. Timing Diagram for MX7549

Applications

Unipolar Operation

Figure 3 shows the most common configuration for the MX7549 that is used for unipolar binary operation or two-quadrant multiplication when V_{IN} is an AC signal. For full-scale adjustment, load 1's into the DAC A register, and trim R1 until $V_{OUT} = -V_{IN}(4095/4096)$. Alternatively, R1-R4 can be omitted, and the reference voltage can be adjusted to compensate for full-scale error. DAC B full-scale errors are trimmed in the same manner.

Capacitors C1 and C2 provide phase compensation. They also reduce overshoot and ringing when fast amplifiers are used at the DAC output. Single or dual op amps can be used in this application.

CMOS Dual 12-Bit Double-Buffered μ P-Compatible DAC

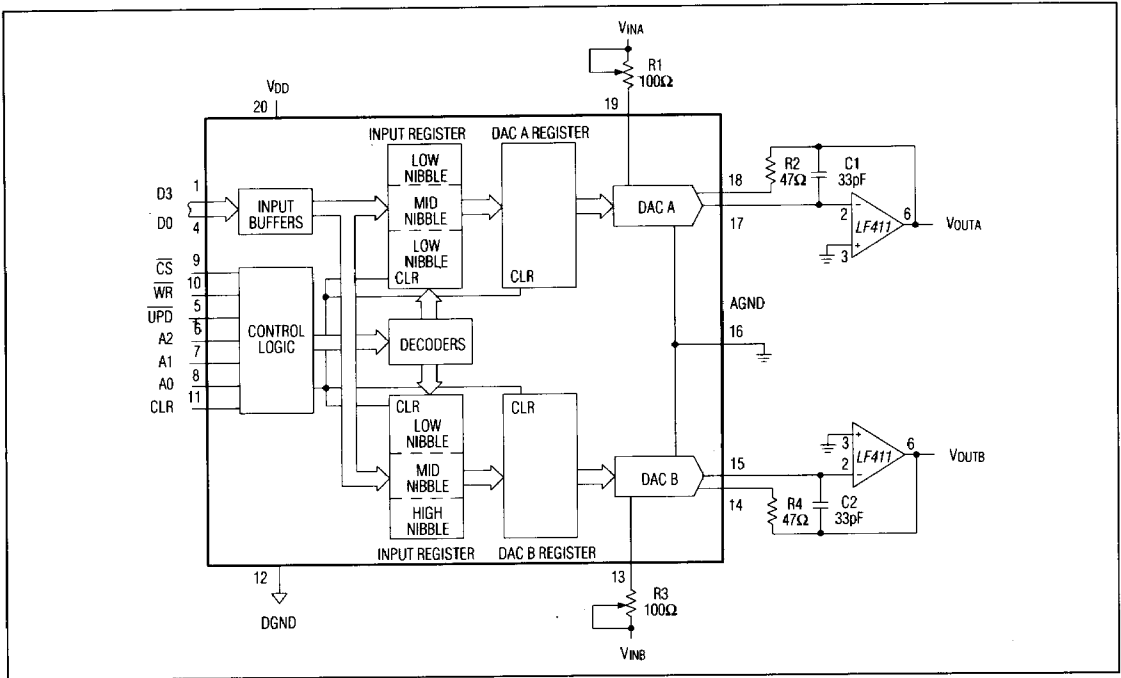


Figure 3. Dual DAC Unipolar Binary Operation (Two-Quadrant Multiplication)

Table 2. Unipolar Binary Code Table for MX7549

DIGITAL INPUT	ANALOG OUTPUT
1111 1111 1111	$-V_{IN} \frac{4095}{4096}$
1000 0000 0000	$-V_{IN} \frac{2048}{4096} = -\frac{1}{2} V_{IN}$
0000 0000 0001	$-V_{IN} \frac{1}{4096}$
0000 0000 0000	0V

Note 1: Use R1, R2, R3, and R4 only if gain adjustment is required.

Note 2: C1 and C2 capacitors prevent oscillations when using high-speed amplifiers.

Bipolar Operation

Figure 4 shows bipolar operation (four-quadrant multiplication) using offset-binary code. Adjust zero error as follows: with the appropriate DAC register loaded to 1000

0000 0000, adjust R1 (R3) so V_{OUTA} (V_{OUTB}) = 0V. Alternatively, omit R1 and R2 (R3, R4), and vary R6 and R7 (R9, R10) ratios for V_{OUTA} = 0V. For full-scale trimming, adjust the V_{IN} amplitude, or vary the R5 (R8) value. Select resistors R5, R6, and R7 (R8, R9, R10) so all ratios match to 0.01% and have low-temperature coefficients (e.g. RN-type metal film).

Table 3. Bipolar Binary Code Table for MX7549

DIGITAL INPUT	ANALOG OUTPUT
1111 1111 1111	$+V_{IN} \frac{2047}{2048}$
1000 0000 0001	$+V_{IN} \frac{1}{2048}$
1000 0000 0000	0V
0111 1111 1111	$-V_{IN} \frac{1}{2048}$
0000 0000 0000	$-V_{IN} \frac{2048}{2048} = -V_{IN}$

CMOS Dual 12-Bit Double-Buffered μ P-Compatible DAC

MX7549

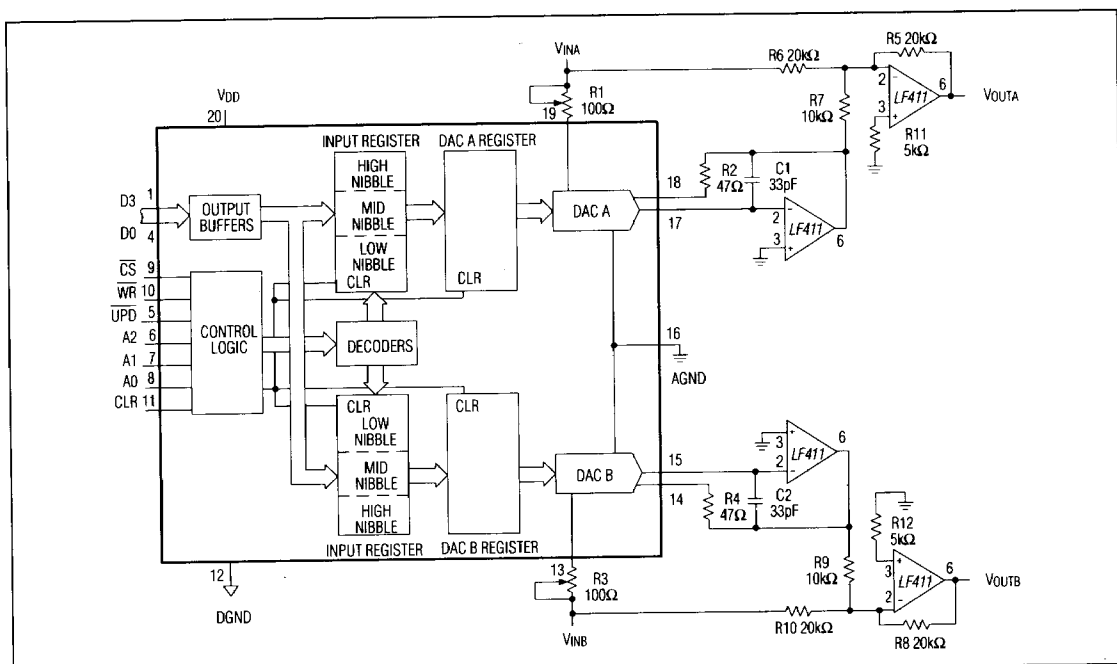


Figure 4. Dual DAC Bipolar Offset Binary Operation (Four-Quadrant Multiplication)

Application Hints

Temperature Coefficients

The MX7549 has a maximum gain temperature coefficient (TC) of $\pm 5 \text{ ppm}/^\circ\text{C}$. If the trim resistors in Figures 3 or 4 are used to adjust full-scale gain error, consider their TC as part of total gain error over the temperature range. Select resistors R5, R6, and R7 (R8, R10, R9) so all ratios match to 0.01% and have low-temperature coefficients (e.g. RN-type metal film).

Digital Feedthrough

The digital inputs to the MX7549 are normally connected directly to the μ P bus. Even when the device is not selected, these inputs will be constantly changing. The

high-frequency logic activity on the bus can feed through the DAC package capacitance to show up as noise on the DAC output. Care should be taken in routing the PC board layout and selecting decoupling components to minimize noise.

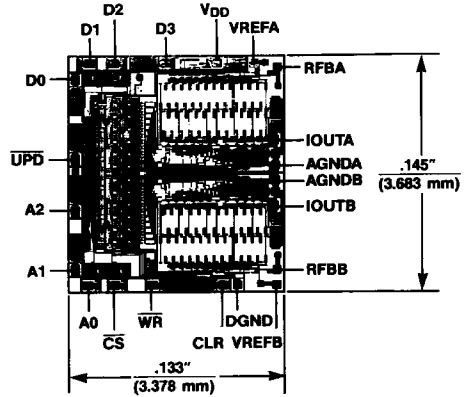
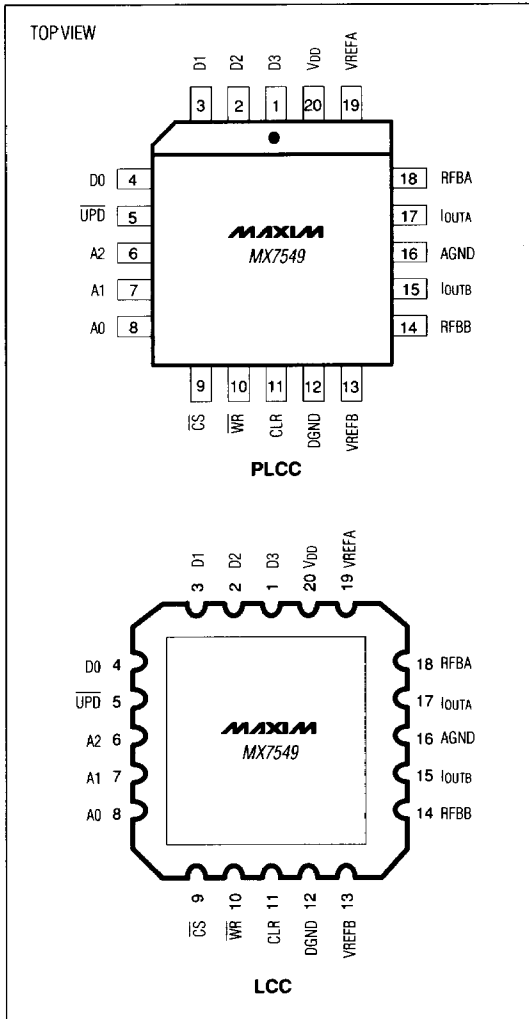
Output Amplifier

The output amplifier's offset voltage (V_{OS}) adds to the DAC's nonlinearity. To minimize the effect of V_{OS} and maintain monotonicity, V_{OS} should be less than $(25 \times 10^{-6})(V_{REF})$ over the operating temperature range. The LF430 has a maximum V_{OS} of $5 \mu\text{V}$ over temperature and is ideal for low-bandwidth applications. The LF411 has a $15 \text{V}/\text{sec}$ slew rate with a wide bandwidth and is recommended for multiplying applications.

CMOS Dual 12-Bit Double-Buffered μ P-Compatible DAC

Pin Configurations (continued)

Chip Topography



SEP 25 1991

024748 \checkmark _ R

Maxim cannot assume responsibility for use of any circuitry other than circuitry entirely embodied in a Maxim product. No circuit patent licenses are implied. Maxim reserves the right to change the circuitry and specifications without notice at any time.

8 **Maxim Integrated Products, 120 San Gabriel Drive, Sunnyvale, CA 94086 (408) 737-7600**