

## PM7224

### *8-Bit CMOS D/A Converter with Voltage Output*

The PM-7224 is an improved version of the AD7224, which is an 8-bit, double-buffered, voltage output, CMOS digital-to-analog converter. It consists of a CMOS output amplifier, two 8-bit registers, interface control logic, and an R-2R resistor ladder network on a single monolithic chip.

#### **Rochester Electronics Manufactured Components**

Rochester branded components are manufactured using either die/wafers purchased from the original suppliers or Rochester wafers recreated from the original IP. All re-creations are done with the approval of the Original Component Manufacturer (OCM).

Parts are tested using original factory test programs or Rochester developed test solutions to guarantee product meets or exceeds the OCM data sheet.

#### **Quality Overview**

- ISO-9001
- AS9120 certification
- Qualified Manufacturers List (QML) MIL-PRF-35835
  - Class Q Military
  - Class V Space Level
- Qualified Suppliers List of Distributors (QSLD)
  - Rochester is a critical supplier to DLA and meets all industry and DLA standards.

Rochester Electronics, LLC is committed to supplying products that satisfy customer expectations for quality and are equal to those originally supplied by industry manufacturers.

*The original manufacturer's datasheet accompanying this document reflects the performance and specifications of the Rochester manufactured version of this device. Rochester Electronics guarantees the performance of its semiconductor products to the original OCM specifications. 'Typical' values are for reference purposes only. Certain minimum or maximum ratings may be based on product characterization, design, simulation, or sample testing.*

FOR REFERENCE ONLY

## PM-7224

### FEATURES

- Internal Output Amplifier
- Double-Buffered Data Inputs
- Microprocessor Compatible
- Adjustment Free ( $\pm 1/2$  LSB Total Error)
- Guaranteed Monotonicity
- Single or Dual Supply Operation
- Space Saving 0.3" Wide 18-Pin DIP
- TTL/5V CMOS Compatible
- Fast Data Load,  $t_{WR} = 90\text{ns}$  (All Temperatures)
- Single Specification Table for Both Dual and Single Power Supply Operation
- Available in Die Form

### APPLICATIONS

- Process/Industrial Controls
- Automatic Test Equipment
- Op Amp Offset Adjust
- Gain Adjust
- Attenuation
- Medical Equipment

### ORDERING INFORMATION <sup>†</sup>

TOTAL UNADJUSTED ERROR	PACKAGE		
	MILITARY* TEMPERATURE	EXTENDED INDUSTRIAL TEMPERATURE	COMMERCIAL TEMPERATURE
$\pm 1/2$ LSB	PM7224AX	PM7224EX	PM7224GP
$\pm 1$ LSB	PM7224BX	PM7224FX	-
$\pm 1$ LSB	PM7224BRC/883	PM7224FS	-
$\pm 1$ LSB	-	PM7224FPC	-
$\pm 1$ LSB	-	PM7224FP	-

\* For devices processed in total compliance to MIL-STD-883, add /883 after part number. Consult factory for 883 data sheet.

<sup>†</sup> Burn-in is available on commercial and industrial temperature range parts in CerDIP, plastic DIP, and TO-can packages.

### CROSS REFERENCE

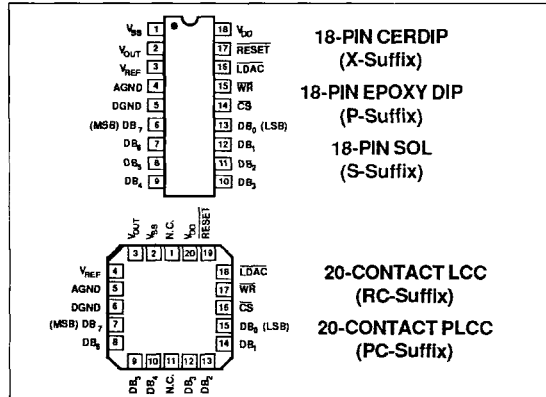
PMI	ADI	TEMPERATURE RANGE
PM7224AX	AD7224UQ	MIL
PM7224BX	AD7224TQ	
PM7224EX	AD7224CQ	IND
PM7224FX	AD7224BQ	
PM7224GP	AD7224LN	COM
PM7224FPC	AD7224KP	
PM7224FP	AD7224KN	

2

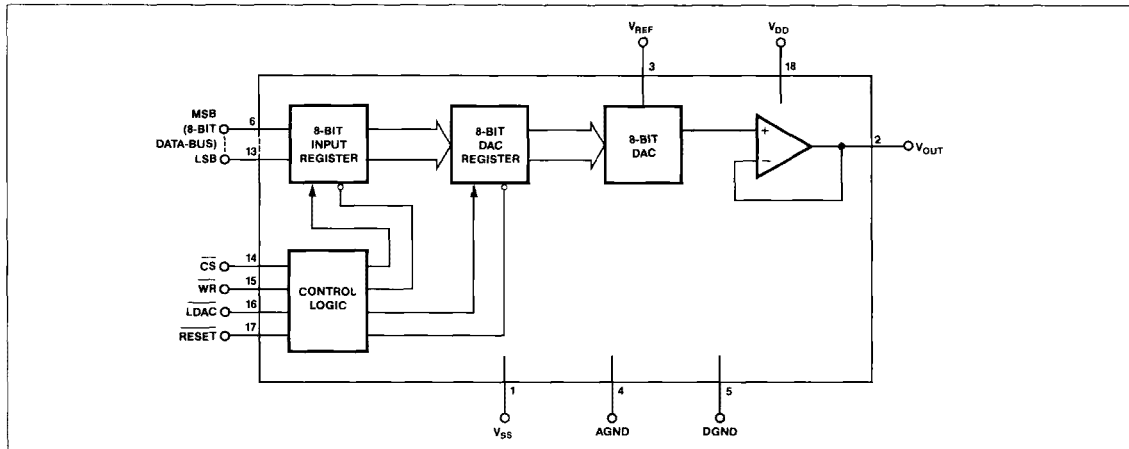
### GENERAL DESCRIPTION

The PM-7224 is an improved version of the AD7224, which is an 8-bit, double-buffered, voltage output, CMOS digital-to-analog converter. It consists of a CMOS output amplifier, two 8-bit registers, interface control logic, and an R-2R resistor ladder network on a single monolithic chip.

### PIN CONNECTIONS



### FUNCTIONAL BLOCK DIAGRAM



# PM-7224

PC board-space and costs are greatly reduced by eliminating the need for an external amplifier and associated trim circuitry.

Excellent zero code error is achieved for both single and dual supply operation by laser trimming the offset during manufacturing. The internal amplifier can deliver up to 5mA into a 2kΩ load and can drive a 3300pF capacitive load.

A reset pin simplifies system power-up and/or calibration cycles. It allows the DAC to momentarily be reset to 0V and function like a zero-override when both registers are transparent; however, the DAC output will remain at 0V when both registers are latched.

The PM-7224 can be operated with either a single or dual supply; however, zero code error can be improved using dual supplies.

PMI's advanced oxide-isolated, silicon-gate, CMOS process allows the PM-7224's analog and digital circuitry to be manufactured on the same chip. This, coupled with PMI's highly-stable thin-film R-2R resistor ladder, aids in the PM-7224's excellent full-scale and zero-code error temperature coefficients. It also results in an inherently reliable DAC and output amplifier.

The PM-7224 is a CMOS monolithic chip that fits into a space saving 18-pin, 0.3" wide, DIP package. With faster AC timing and tighter single and dual supply operation specifications, it is an improved replacement for the AD7224.

## ABSOLUTE MAXIMUM RATINGS (T<sub>A</sub> = +25°C, unless otherwise noted)

V <sub>DD</sub> to AGND or DGND	-0.3V, +17V
V <sub>SS</sub> to AGND or DGND	-7V, V <sub>DD</sub>

## Specifications apply for DUAL or SINGLE SUPPLY, unless otherwise specified.

**ELECTRICAL CHARACTERISTICS:** DUAL SUPPLY: V<sub>DD</sub> = +11.4V to +16.5V; V<sub>SS</sub> = -5V ±10%; AGND = DGND = 0V; V<sub>REF</sub> = +2V to (V<sub>DD</sub> - 4V); or SINGLE SUPPLY: V<sub>DD</sub> = +15V ±5%; V<sub>SS</sub> = AGND = DGND = 0V; V<sub>REF</sub> = +10V; T<sub>A</sub> = -55°C to +125°C apply for PM-7224AX/BX; T<sub>A</sub> = -40°C to +85°C apply for PM-7224EX/FX/FP/FPC/FS; T<sub>A</sub> = 0°C to +70°C for PM-7224GP, unless otherwise noted.

V <sub>DD</sub> to V <sub>SS</sub>	-0.3V, +24V
AGND to DGND	-0.3, V <sub>DD</sub>
Digital Input Voltage to DGND	-0.3V, V <sub>DD</sub>
V <sub>REF</sub> to AGND	-0.3V, V <sub>DD</sub>
V <sub>OUT</sub> to AGND (Note 1)	V <sub>SS</sub> , V <sub>DD</sub>
Operating Temperature	
Military, AX/BX	-55°C to +125°C
Extended Industrial, EX/FX/FP/FPC/FS	-40°C to +85°C
Commercial, GP	0°C to +70°C
Junction Temperature	+150°C
Storage Temperature	-65°C to +150°C
Lead Temperature (Soldering, 10 sec)	+300°C

PACKAGE TYPE	Θ <sub>JA</sub> (Note 5)	Θ <sub>JC</sub>	UNITS
18-Pin Hermetic DIP (X)	84	15	°C/W
18-Pin Plastic DIP (P)	75	33	°C/W
20-Contact LCC (RC)	98	38	°C/W
18-Pin SOL (S)	89	27	°C/W
20-Contact PLCC (PC)	76	36	°C/W

### NOTES:

- Outputs may be shorted to AGND provided the package power dissipation is not exceeded. Typical output short circuit current to AGND is 50mA.
- The digital inputs are diode-protected; however, permanent damage may occur on unconnected inputs from high-energy electrostatic fields. Keep device in conductive foam at all times until ready for use.
- Use proper anti-static handling procedures.
- Stresses above those listed under "Absolute Maximum Ratings" may cause permanent damage to the device. This is a stress rating only and functional operation at or above this specification is not implied. Exposure to above maximum ratings conditions for extended periods may affect device reliability.
- Θ<sub>JA</sub> is specified for worst case mounting conditions, i.e., Θ<sub>JA</sub> is specified for device in socket for CerDIP, P-DIP, and LCC packages; Θ<sub>JA</sub> is specified for device soldered to printed circuit board for SOL and PLCC packages.

PARAMETER	SYMBOL	CONDITIONS	PM-7224			UNITS
			MIN	TYP	MAX	
<b>STATIC ACCURACY</b>						
Resolution	N		8	-	-	Bits
Total Unadjusted Error (Note 1)	TUE	PM-7224A/E/G PM-7224B/F	-	-	±1/2 ±1	LSB
Relative Accuracy	INL	PM-7224A/E/G PM-7224B/F	-	-	±1/2 ±1	LSB
Differential Nonlinearity (Note 2)	DNL	PM-7224A/E/G PM-7224B/F	-	-	±1/2 ±1	LSB
Full-Scale Error	GFSE	PM-7224A/E/G PM-7224B/F	-	-	±1/2 ±1	LSB
Full-Scale Temperature Coefficient (Note 3)	T <sub>CGFS</sub>		-	±1	±20	ppm/°C
Zero Error Code	V <sub>ZSE</sub>	DUAL SUPPLY: PM-7224A/E/G PM-7224B/F SINGLE SUPPLY: PM-7224A/E/G PM-7224B/F	-	-	±5 ±20 - ±10 ±20	mV
Zero Error Code Temperature Coefficient (Note 3)	TCV <sub>ZS</sub>		-	-	-	μV/°C

Specifications apply for DUAL or SINGLE SUPPLY, unless otherwise specified.

**ELECTRICAL CHARACTERISTICS:** DUAL SUPPLY:  $V_{DD} = +11.4V$  to  $+16.5V$ ;  $V_{SS} = -5V \pm 10\%$ ;  $AGND = DGND = 0V$ ;  $V_{REF} = +2V$  to  $(V_{DD} - 4V)$ ; or SINGLE SUPPLY:  $V_{DD} = +15V \pm 5\%$ ;  $V_{SS} = AGND = DGND = 0V$ ;  $V_{REF} = +10V$ ;  $T_A = -55^\circ C$  to  $+125^\circ C$  apply for PM-7224AX/BX;  $T_A = -40^\circ C$  to  $+85^\circ C$  apply for PM-7224EX/FX/FP/FPC/FS;  $T_A = 0^\circ C$  to  $+70^\circ C$  for PM-7224GP, unless otherwise noted. *Continued*

PARAMETER	SYMBOL	CONDITIONS	MIN	PM-7224 TYP	MAX	UNITS
<b>REFERENCE INPUT</b>						
Voltage Range (Note 4)		DUAL SUPPLY ONLY	2	—	$(V_{DD} - 4)$	V
Input Resistance	$R_{IN}$		8	—	—	k $\Omega$
Input Capacitance (Note 3)	$C_{IN}$	Digital Inputs = all 1's	—	—	100	pF
<b>DIGITAL INPUTS</b>						
Digital Input High	$V_{INH}$		2.4	—	—	V
Digital Input Low	$V_{INL}$		—	—	0.8	V
Input Current	$I_{IN}$	$V_{IN} = 0V$ or $V_{DD}$	—	—	$\pm 1$	$\mu A$
Input Capacitance (Note 3)	$C_{IN}$		—	—	8	pF
Input Coding			BINARY			
<b>POWER SUPPLIES</b>						
Power Supply Rejection Ratio	PSRR		—	—	0.005%	%/%
Positive Supply Current (Note 5)	$I_{DD}$	$T_A = +25^\circ C$ $T_A = \text{Full Temp Range}$	—	—	4 6	mA
Negative Supply Current (Note 5)	$I_{SS}$	DUAL SUPPLY ONLY $T_A = +25^\circ C$ $T_A = \text{Full Temp Range}$	—	—	3 5	mA
<b>DYNAMIC PERFORMANCE</b>						
$V_{OUT}$ Slew Rate (Note 3)	SR		2.5	—	—	V/ $\mu S$
$V_{OUT}$ Settling Time Positive or Negative (Note 3, 6)	$t_s$		—	—	5	$\mu S$
Digital Feedthrough (Note 3)	Q		—	10	—	nVs
Minimum Load Resistance	$R_{L(MIN)}$	$V_{OUT} = +10V$	2	—	—	k $\Omega$
<b>SWITCHING CHARACTERISTICS (Note 3)</b>						
Chip Select/Load DAC Pulse-Width	$t_1$		90	—	—	ns
Write/Reset Pulse-Width	$t_2$		90	—	—	ns
Chip Select/Load DAC to Write Setup Time	$t_3$		0	—	—	ns
Chip Select/Load DAC to Write Hold Time	$t_4$		0	—	—	ns
Data Valid to Write Setup Time	$t_5$		90	—	—	ns
Data Valid to Write Hold Time	$t_6$		10	—	—	ns

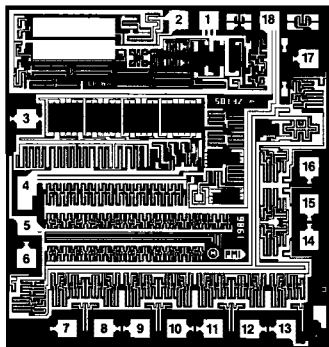
**NOTES:**

1. Includes Full Scale Error, Relative Accuracy, and Zero Code Error.
2. All devices guaranteed monotonic over the full operating temperature range.
3. Guaranteed by design and not subject to production test.
4.  $V_{DD} - 4$  volts is the maximum reference voltage for the above specifications.
5.  $V_{IN} = V_{INL}$  or  $V_{INH}$ ; outputs unloaded.
6.  $V_{REF} = +10V$ ; to where output settles to 1/2 LSB.

2

# PM-7224

## DICE CHARACTERISTICS



DIE SIZE 0.094 × 0.099 inch, 9306 sq. mils  
(2.39 × 2.52 mm, 6.0 sq. mm)

- |              |              |
|--------------|--------------|
| 1. $V_{SS}$  | 10. DB3      |
| 2. $V_{OUT}$ | 11. DB2      |
| 3. $V_{REF}$ | 12. DB1      |
| 4. AGND      | 13. DB0(LSB) |
| 5. DGND      | 14. CS       |
| 6. DB7(MSB)  | 15. WR       |
| 7. DB6       | 16. LDAC     |
| 8. DB5       | 17. RESET    |
| 9. DB4       | 18. $V_{DD}$ |

Specifications apply for DUAL or SINGLE SUPPLY, unless otherwise specified.

**WAFER TEST LIMITS:** DUAL SUPPLY:  $V_{DD} = +11.4V$  to  $+16.5V$ ;  $V_{SS} = -5V \pm 10\%$ ; AGND = DGND = 0V;  $V_{REF} = +2V$  to  $(V_{DD} - 4V)$ .  
SINGLE SUPPLY:  $V_{DD} = +15V \pm 5\%$ ;  $V_{SS} =$  AGND = DGND = 0V;  $V_{REF} = +10V$ ; unless otherwise noted.

PARAMETER	SYMBOL	CONDITIONS	PM-7224GBC LIMIT	UNITS
<b>STATIC ACCURACY</b>				
Resolution	N		8	Bits
Total Unadjusted Error (Note 1)	TUE		$\pm 1$	LSB MAX
Relative Accuracy	INL		$\pm 1$	LSB MAX
Differential Nonlinearity (Note 2)	DNL		$\pm 1$	LSB MAX
Full Scale Error	$G_{FSE}$		$\pm 1$	LSB MAX
Zero Code Error	$V_{ZSE}$		$\pm 20$	mV MAX
<b>REFERENCE INPUT</b>				
Voltage Range (Note 3)	$V_{REF}$	DUAL SUPPLY ONLY	2 to $(V_{DD} - 4V)$	V
Reference Input Resistance	$R_{IN}$		8	k $\Omega$ MIN
<b>DIGITAL INPUTS</b>				
Digital Inputs High	$V_{INH}$		2.4	V MIN
Digital Inputs Low	$V_{INL}$		0.8	V MAX
Input Current	$I_{IN}$	$V_{IN} = 0V$ or $V_{DD}$	$\pm 1$	$\mu A$ MAX
Input Coding			BINARY	
<b>POWER SUPPLIES</b>				
Positive Supply Current (Note 4)	$I_{DD}$		4	mA MAX
Negative Supply Current (Note 4)	$I_{SS}$	DUAL SUPPLY ONLY	3	mA MAX

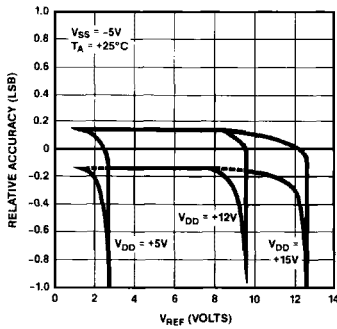
### NOTES:

- Includes Full Scale Error, Relative Accuracy, and Zero Code Error.
- All dice guaranteed monotonic over the full operating temperature range.
- $V_{DD} - 4$  volts is the maximum reference voltage for the above specifications.
- $V_{IN} = V_{INL}$  or  $V_{INH}$ ; output unloaded.

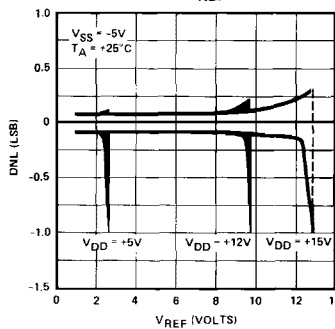
Electrical tests are performed at wafer probe to the limits shown. Due to variations in assembly methods and normal yield loss, yield after packaging is not guaranteed for standard product dice. Consult factory to negotiate specifications based on dice lot qualification through sample lot assembly and testing.

TYPICAL PERFORMANCE CHARACTERISTICS

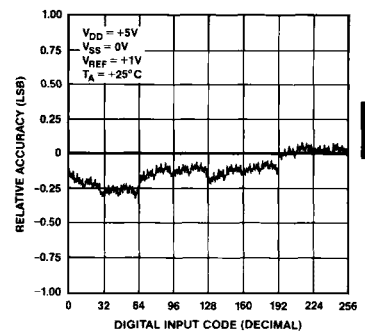
RELATIVE ACCURACY vs  $V_{REF}$



DIFFERENTIAL NONLINEARITY vs  $V_{REF}$

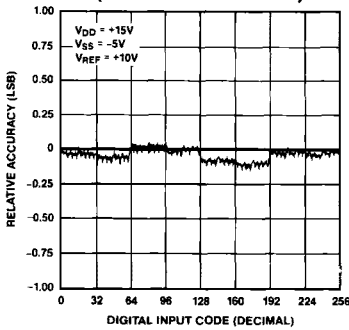


RELATIVE ACCURACY WITH SINGLE +5V SUPPLY

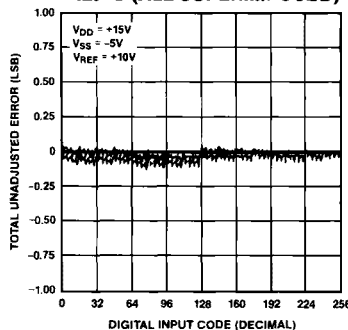


2

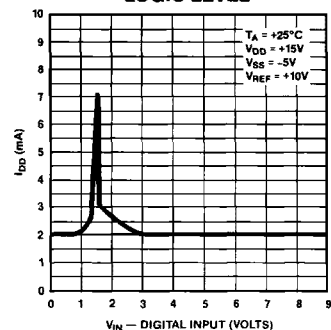
RELATIVE ACCURACY vs CODE AT  $T_A = -55^\circ\text{C}, +25^\circ\text{C}, +125^\circ\text{C}$  (ALL SUPERIMPOSED)



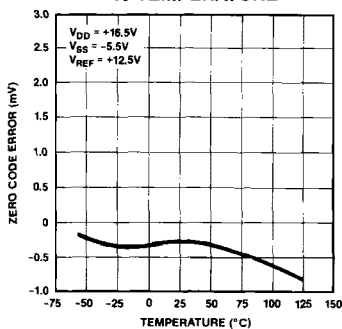
TOTAL UNADJUSTED ERROR vs CODE AT  $T_A = -55^\circ\text{C}, +25^\circ\text{C}, +125^\circ\text{C}$  (ALL SUPERIMPOSED)



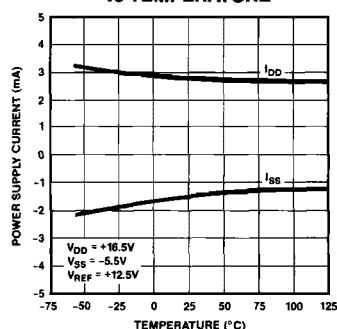
POSITIVE SUPPLY CURRENT ( $I_{DD}$ ) vs LOGIC LEVEL



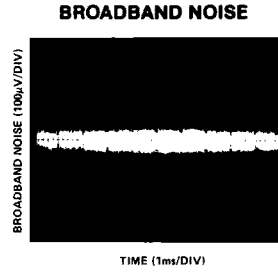
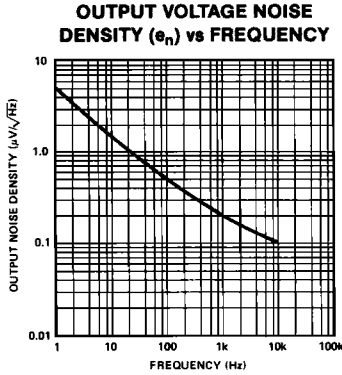
ZERO CODE ERROR vs TEMPERATURE



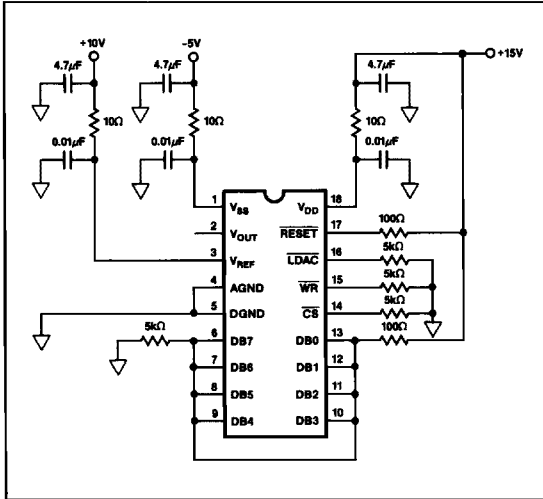
POWER SUPPLY CURRENT vs TEMPERATURE



## TYPICAL PERFORMANCE CHARACTERISTICS



### BURN-IN CIRCUIT



### PARAMETER DEFINITIONS

#### TOTAL UNADJUSTED ERROR

This specification includes Full-Scale-Error, Relative Accuracy, and Zero-Code-Error. Ideal full scale output is  $V_{REF} - 1 \text{ LSB}$ , and  $1 \text{ LSB}$  is  $V_{REF} \times (2^{-n})$ .

#### DIGITAL FEEDTHROUGH

Digital feedthrough are the switching transients coupled to the output of the DAC due to a change in digital input code. It is expressed in nano-Volt-seconds and measured with  $V_{REF} = 0V$ .

Refer to PMI 1986 Data Book Section 11 for additional digital-to-analog converter definitions.

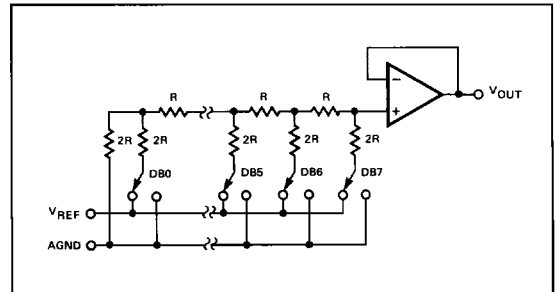
### GENERAL CIRCUIT DESCRIPTION

#### CONVERTER SECTION

The PM-7224 contains an output buffer amplifier, a highly-stable, thin-film, R-2R resistor ladder network, 8-bit input and DAC registers, and interface control logic. Also included are eight single-pole double-throw NMOS transistor switches. These transistors were designed to switch between  $V_{REF}$  and AGND and are controlled by the digital input code.

A simplified circuit of the R-2R resistor ladder and output is illustrated in Figure 1. The ladder is shown connected to the amplifier in the voltage-mode configuration. The advantages gained in operating the ladder in the voltage mode are two-fold: it allows the DAC to be operated with a single supply, and the ladder resistance/capacitance modulation encountered in the current mode configuration are eliminated. The modulation (caused by the varying digital code) is now presented to the low-impedance reference voltage source (most voltage reference output-impedances are low enough so that its output voltage will not be affected by the varying digital code). The

**FIGURE 1:** Simplified DAC Circuit Configuration. (Switches are shown for all "1"s on the digital inputs.)



amplifier's input terminal now "sees" a constant resistance/capacitance and thus, the output offset voltage modulation is eliminated. Also, digital glitches fed through the switch capacitance to the output will be greatly reduced; it will be absorbed by the low output-impedance of the external reference resulting in a "cleaner" output voltage.

Figure 1 also shows the amplifier configured to operate as a buffer amplifier resulting in no signal inversion from input to output ( $V_{REF}$  to  $V_{OUT}$ ). Also, note that analog ground (AGND) is accessible and can be biased above digital ground (DGND) for some applications; more on this in the applications section under AGND biasing.

For proper operation, maximum  $V_{REF}$  should be limited to  $V_{DD}$  minus 4 volts. This means that in order to operate the DAC with +10V at the reference input terminal,  $V_{DD}$  must be at least +14V.

The voltage output equation is given by:

$$V_{OUT} = V_{REF} \times D/256$$

where D is the digital input code integer number that is between 0 and 255.

**BUFFER AMPLIFIER SECTION**

The R-2R resistor ladder network has a typical resistance of 10kΩ; a 100kΩ load would cause a 23 LSB gain error. Therefore, in order to drive a 2kΩ load, the R-2R ladder was terminated with a stable CMOS buffer amplifier. The amplifier can drive 10 volts across a 2kΩ load delivering 5mA, and can easily drive a 3300pF capacitive load. The PM-7224's output can also withstand an indefinite short-circuit to AGND to typically 50mA. The output may also be shorted to any voltage between  $V_{DD}$  and  $V_{SS}$ ; however, care must be taken to not exceed the device maximum power dissipation.

The amplifier's output stage is an intrinsic NPN bipolar transistor. It is derived from the P<sup>-</sup> well and the substrate. This transistor provides a low-impedance high-output current capability using only a small part of the chip area. The emitter of this NPN transistor is loaded with a 400μA NMOS current-source referenced to  $V_{SS}$ . This current is sunk into the negative supply allowing the amplifier's output to go directly to ground.

A simplified schematic of the output amplifier is shown in Figure 2. It shows the current-source connection between the NPN output transistor's emitter and  $V_{SS}$ . Figure 3 depicts a typical plot for the dual and single supply current-sink capability of the DAC versus output voltage. Let's take a closer look at what happens to its behavior by referring to Figures 2 and 3.

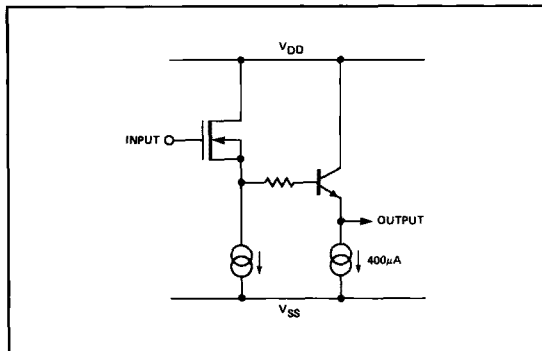
It can be seen that with dual supplies the current-source is still in its high impedance (saturation) state when the output reaches 0 volts. This is due to the 5 volts ( $V_{SS}$ ) across the current-source that is sinking the 400μamps. When  $V_{SS} = 0$  volts, however, the current sink capability is reduced as the output voltage approaches 0 volts; the current-source is coming out of its saturation region and starts appearing resistive.

The amplifier's current-limiting and buffering abilities are achieved with an NMOS transistor and a series resistor, see

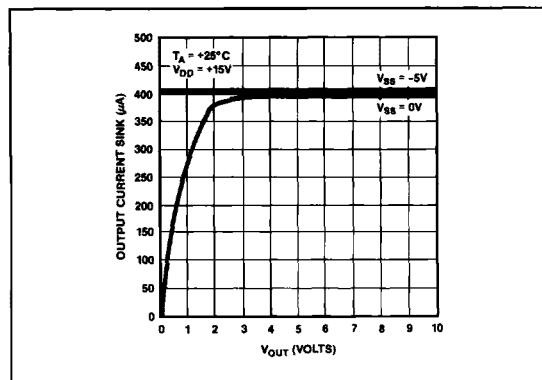
Figure 2. The transistor operates as a source follower driving the resistor and output transistor.

The amplifier's internal gain stages were designed so that they maintain sufficient gain over its common mode range; this results in good offset performance over the specified voltage range. In addition, the amplifier's offset voltage is laser-trimmed during the manufacturing process; this eliminates offset trimming by the user in most applications. The amplifier's offset is included in the data sheet under "total unadjusted error" specification.

**FIGURE 2: Amplifier Output Stage**



**FIGURE 3: DAC Output Current Sink**



**DIGITAL SECTION**

The digital inputs are CMOS inverters. They were designed to convert TTL and 5V CMOS input logic levels into CMOS levels to drive the internal circuitry. A simple internal 5V regulator is used to ensure the high speed timing requirements.

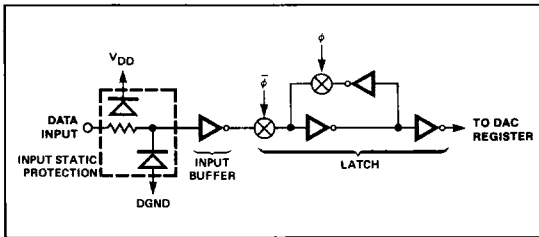


# PM-7224

The PM-7224's digital inputs are TTL and CMOS (5V) compatible between the  $V_{DD}$  range of +11.4V to +16.5V. As shown in Figure 4, these inputs are protected from electrostatic-discharge and build-up with two internal distributed-diodes; they are connected between  $V_{DD}$  and DGND. Each input has a typical input current of less than 1nA.

Figure 4 also shows the equivalent logic circuit for the digital data input register structure. This circuit drives the DAC register. The digital controls  $\phi$  and  $\bar{\phi}$  shown are controlled by the external  $\overline{WR}$ , and  $\overline{CS}$  signals.

**FIGURE 4:** Input Register Structure



## INTERFACE CONTROL LOGIC SECTION

Figure 5 shows the PM-7224's input control logic structure with its input register and DAC register; also shown is the equivalent logic circuitry. The  $\overline{WR}$  signal is required when loading data into either register and is used in conjunction with either  $\overline{CS}$  or  $\overline{LDAC}$ .  $\overline{CS}$  loads data into the input register, and  $\overline{LDAC}$  loads data into the DAC register. Data is latched in the input register on the rising edge of the  $\overline{WR}$  pulse. The DAC's analog output voltage is determined by the data contained in the DAC register. See Table 1.

**TABLE 1**

RESET	LDAC	WR	CS	FUNCTION
H	L	L	L	Both Registers are Transparent
H	X	H	X	Both Registers are Latched
H	H	X	H	Both Registers are Latched
H	H	L	L	Input Register is Transparent
H	H	$\uparrow$	L	Input Register is Latched
H	L	L	H	DAC Register is Transparent
H	L	$\uparrow$	H	DAC Register is Latched
L	X	X	X	Both Registers Loaded with all Zeros
$\uparrow$	H	H	H	Both Registers Loaded with all Zeros and the Output Remains at Zero
$\uparrow$	L	L	L	Both Registers are Transparent (output follows the input)

H = High State; L = Low State; X = Don't Care

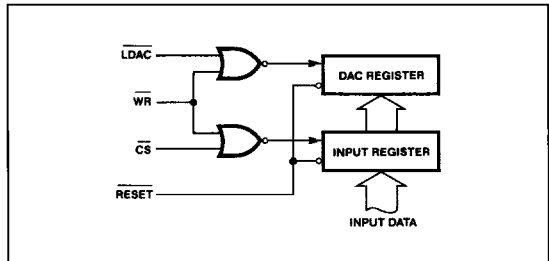
Table 1 shows that the DAC is transparent when  $\overline{WR}$ ,  $\overline{CS}$ , and  $\overline{LDAC}$  are low, and the input register is transparent when  $\overline{WR}$  and  $\overline{CS}$  only are low. Also shown is the data being latched into the input register on the rising edge of the  $\overline{WR}$  signal.

Also provided with the PM-7224 is a  $\overline{RESET}$  pin as shown in Figure 5. A low  $\overline{RESET}$  signal will reset both registers to zero. If

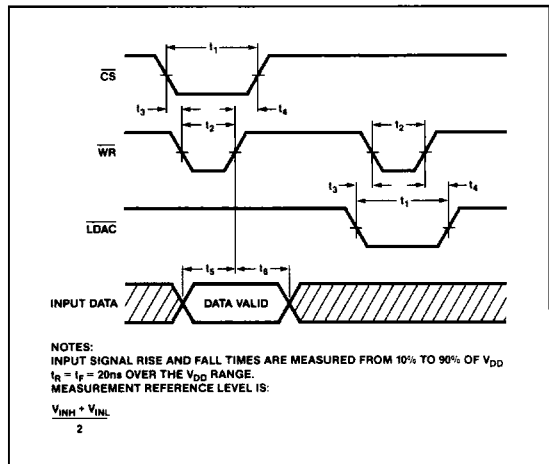
the DAC is in the transparent mode, the DAC output will go to 0V for as long as the reset line remains low. If the DAC is in the latched mode, the output will go to 0V (and remain there) on the rising edge of the reset signal.

Figure 6 shows the PM-7224 write timing diagram.

**FIGURE 5:** Input Control Logic



**FIGURE 6:** Write Timing Diagram



## APPLICATIONS INFORMATION

### POWER SUPPLY

The PM-7224 data sheet is specified with a dual or single power supply condition. The dual supply specifications are specified with a positive supply ( $V_{DD}$ ) range of +11.4V to +16.5V and a negative supply ( $V_{SS}$ ) of -5V. The specified reference voltage ( $V_{REF}$ ) under these conditions range from +2V to  $V_{DD} - 4V$ . For those applications requiring +10 volts at the output ( $V_{REF} = +10V$ ),  $V_{DD}$  must be +14V minimum to meet data sheet limits.

The specified  $V_{REF}$  for the single supply specifications is +10V.  $V_{REF}$  voltage limitation of  $V_{DD} - 4V$  for dual or single power supply applications must be observed. This will ensure that the PM-7224's multiplying capabilities are preserved.

Although the PM-7224 can operate well with either a single or dual power supply, improved zero-code error can be achieved by using dual supplies.

**DYNAMIC PERFORMANCE**

The PM-7224's settling time is limited by the internal amplifier's slew rate; however, it sports an impressive settling time of  $5\mu\text{s}$  using a dual or single power supply. Settling time is not affected by the DAC's output voltage polarity, positive or negative. The PM-7224 also has minimum signal overshoot or ringing.

**AGND BIASING**

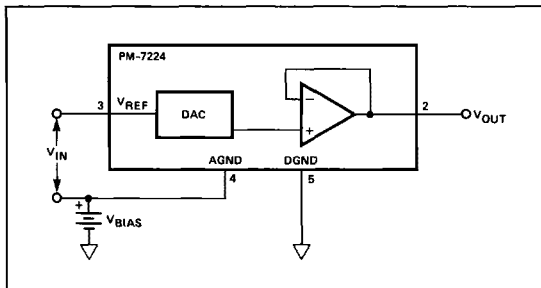
Some applications may require a DC offset voltage level at the DAC's output. This may be easily accomplished with the PM-7224; the desired DC offset voltage can be applied to the AGND pin as shown in Figure 7. The DAC's TTL/CMOS compatibility is not affected. Note that  $V_{DD}$  and  $V_{SS}$  must be referenced to DGND.

The DAC's output voltage expression under this condition is:

$$V_{OUT} = \text{AGND bias} + V_{IN} \times D/256$$

where AGND bias is the voltage level above DGND and D is the digital input code integer number that is between 0 and 255.

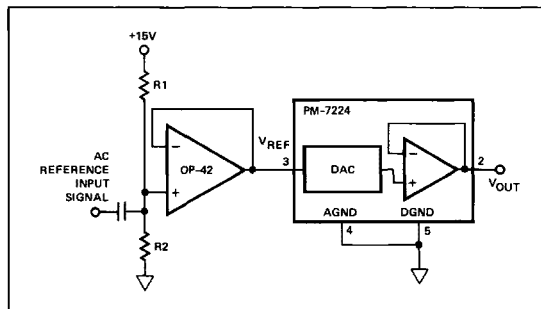
**FIGURE 7: AGND Biasing Scheme**



**MULTIPLYING OPERATION**

The PM-7224 has good multiplying capabilities if the reference input signal level is kept within  $+2\text{V}$  and  $V_{DD} - 4\text{V}$ , with  $V_{DD}$  of  $+16.5\text{V}$ , the maximum input signal level is  $+12.5\text{V}$ ; however, it is recommended that  $V_{DD} = +15\text{V} \pm 5\%$  and the AC voltage swing between  $+2\text{V}$  and  $V_{DD} - 4\text{V}$ . The signal must be AC coupled and biased up with a voltage divider as shown in Figure 8. A buffer amplifier should be used to ensure that the DAC's  $V_{REF}$  impedance does not load the resistor divider, R1 and R2.

**FIGURE 8: AC Signal Input Scheme**

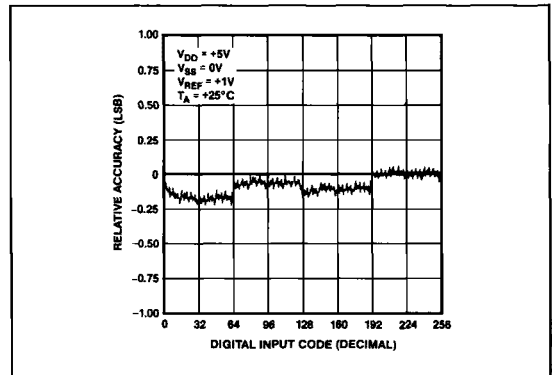


The  $V_{REF}$  small-signal frequency response ( $-3\text{dB}$  bandwidth) for the PM-7224 is typically  $1.5\text{MHz}$ . Its small-signal harmonic distortion is less than  $-57\text{dB}$  at  $1\text{kHz}$  and  $-55\text{dB}$  at  $100\text{kHz}$ .

**+5V SINGLE SUPPLY OPERATION**

Although a  $+5\text{V}$  performance specification table is not listed, the PM-7224 can operate well with only a single  $+5\text{V}$  supply (see Figure 9). This will then limit the reference input voltage level to a maximum of  $+1\text{V}$ ; the  $V_{DD} - 4\text{V}$  limitation must still be observed.

**FIGURE 9: Relative Accuracy With Single +5V Operation**



**GENERAL GROUND MANAGEMENT**

Digital transient voltages between AGND and DGND can appear as noise at the PM-7224's output. It is, therefore, recommended that AGND and DGND be tied together at the device socket; each ground is then brought out separately to their respective common ground points. A word of caution is worth mentioning here: ground loops can be created if both grounds are tied together at more than one location, i.e., at the device socket and back at the power supplies, or at any other location. These ground loops can cause noisy digital ground currents to flow through the analog ground paths and destroy its integrity. Analog ground should be maintained as a high quality ground.

If system requirements dictate the use of one common return line for each ground, then the DAC should be placed as close to the power supplies as possible. Also, for those systems that require both grounds be separated, two Schottky diodes should be tied in inverse parallel between AGND and DGND at the device socket.

**POWER SUPPLY DECOUPLING**

Power supply decoupling capacitors are important to suppress oscillations and noise transients from entering the system and causing system errors. Noise transients are generated from digital switching or switching power supplies; and oscillations on the power supply lines are caused by lead inductances combined with stray capacitance.

High and low frequency decoupling capacitors at the device socket is strongly recommended; a  $0.01\mu\text{F}$  ceramic in parallel with a 1 to  $10\mu\text{F}$  tantalum decoupling capacitors should be used.

# PM-7224

## BASIC APPLICATIONS

### UNIPOLAR OPERATION

Figure 10 shows the PM-7224 configured to operate in the unipolar mode; the analog output voltage is of a single positive polarity only. Table 2 shows the code for this mode of operation.

FIGURE 10: Unipolar Operation

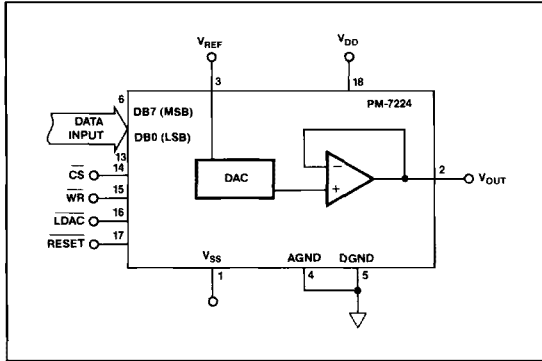


TABLE 2: Unipolar Code Table (Refer to Figure 10)

DAC DATA INPUT		ANALOG OUTPUT
MSB	LSB	
1	1 1 1 1 1 1 1 1	$+V_{REF} \left( \frac{225}{256} \right)$
1	0 0 0 0 0 0 0 1	$+V_{REF} \left( \frac{129}{256} \right)$
1	0 0 0 0 0 0 0 0	$+V_{REF} \left( \frac{128}{256} \right) = \frac{+V_{REF}}{2}$
0	1 1 1 1 1 1 1 1	$+V_{REF} \left( \frac{127}{256} \right)$
0	0 0 0 0 0 0 0 1	$+V_{REF} \left( \frac{1}{256} \right)$
0	0 0 0 0 0 0 0 0	0V

It shows no signal inversion between  $+V_{REF}$  and  $V_{OUT}$ . Also note that the analog output voltage is equal to  $V_{REF}$  multiplied by the digital input code, hence, multiplying DAC.

The expression for 1 LSB and  $V_{OUT}$  is:

$$1 \text{ LSB} = V_{REF} \times 2^{-8}, \text{ or } V_{REF} \times 1/256$$

and

$$V_{OUT} = V_{REF} \times D/256$$

where D is the digital input integer between 0 and 255.

### BIPOLAR OPERATION

Figure 11 illustrates the bipolar mode of operation for the PM-7224. This mode allows the output voltage to swing plus or minus and is determined by the digital input code; see Table 3 for  $R1 = R2$ . This configuration requires an external amplifier and two resistors.

The output voltage expression is given by:

$$V_{OUT} = ((1 + R2/R1) \times D/256 \times V_{REF}) - (R2/R1 \times V_{REF})$$

where D is the digital input code integer between 0 and 255. If  $R1 = R2$ , then  $V_{OUT}$  becomes:

$$V_{OUT} = (2 \times D/256 - 1) \times V_{REF}$$

To keep gain and offset errors at a minimum,  $R1$  and  $R2$  should be matched to  $\pm 0.1\%$  and track over the operating temperature range of interest.

FIGURE 11: Bipolar Operation

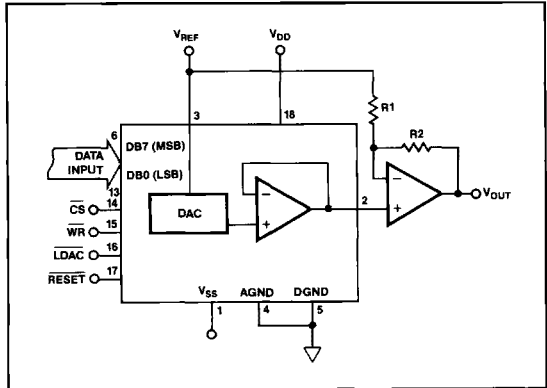


TABLE 3: Bipolar (Offset Binary) Code Table (Refer to Figure 11)

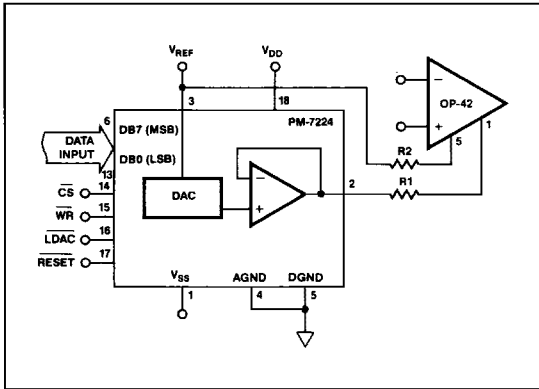
DAC DATA INPUT		ANALOG OUTPUT
MSB	LSB	
1	1 1 1 1 1 1 1 1	$+V_{REF} \left( \frac{127}{128} \right)$
1	0 0 0 0 0 0 0 1	$+V_{REF} \left( \frac{1}{128} \right)$
1	0 0 0 0 0 0 0 0	0V
0	1 1 1 1 1 1 1 1	$-V_{REF} \left( \frac{1}{128} \right)$
0	0 0 0 0 0 0 0 1	$-V_{REF} \left( \frac{127}{128} \right)$
0	0 0 0 0 0 0 0 0	$-V_{REF} \left( \frac{128}{128} \right) = -V_{REF}$

### PROGRAMMABLE OP AMP OFFSET ADJUST

The PM-7224 can be used for op amp offset trim adjustments under microprocessor control. Offsets caused by temperature drifts can also be trimmed by the microprocessor during a periodic calibration cycle.

The PM-7224 uses the input offset voltage nulling pins normally provided on most amplifiers as shown in Figure 12. A fixed bias current is provided to pin 5 of the op amps offset null pin with  $R2$ , and  $R1$  (connected to the DAC's voltage output pin) provides the variable current to pin 1.

FIGURE 12: Op Amp Offset Adjust (See Text)



For a plus or minus ( $\pm$ ) offset adjust control, the current through R1 must equal the current through R2 when the PM-7224 is at half scale, binary code = 10000000.

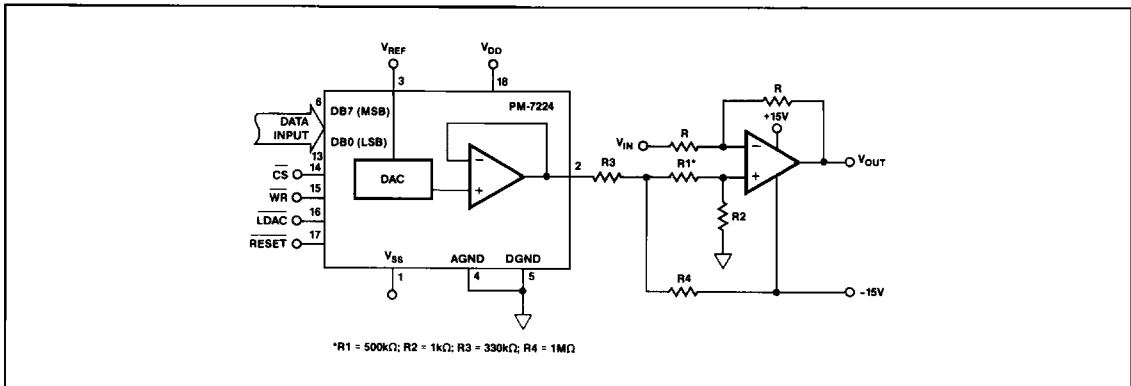
The resistor values R1 and R2 should be chosen to give the required offset adjustment range desired. Lower values provide a larger range; however, resolution will be sacrificed. Reversing the op amp connections, pin 1 and 5, will reverse the offset adjustment direction.

Some op amps are not provided with offset adjustment pins. In these cases, the circuit configuration of Figure 13 can be used. Again, the current through resistor R4 must equal the current through R3 with the PM-7224 at half scale, digital code = 10000000. With the circuit components shown, the maximum adjustment range is  $\pm 5\text{mV}$ . Incremental adjustment resolution is  $39\mu\text{V}$  per bit.

**MICROPROCESSOR INTERFACING**

Interfacing the PM-7224 to a microprocessor is simplified by virtue of its loading structure simplicity. Data from the processor is loaded into the DAC by use of only two control lines, the write strobe (WR) and chip select (CS). The data is then output with

FIGURE 13: Alternate Offset Adjust (See Text)



the WR and LDAC signal. Figures 14 through 17 show various popular microprocessor interface configurations.

FIGURE 14: PM-7224 to 8085A Interface (Only digital interface portion of PM-7224 shown for clarity.)

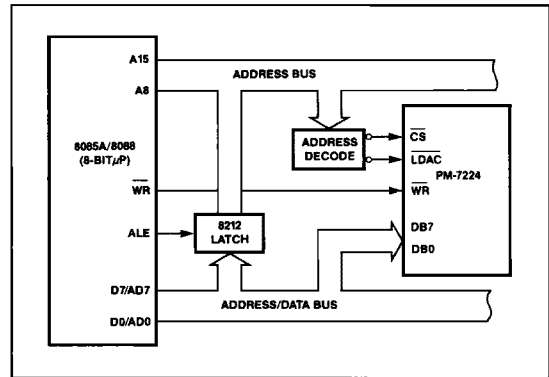
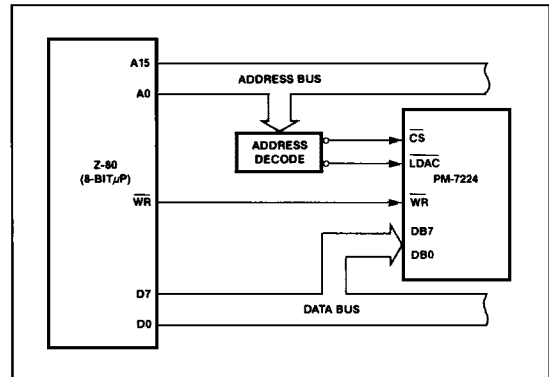


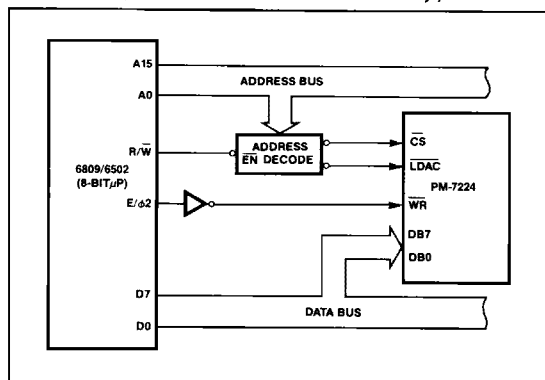
FIGURE 15: PM-7224 to Z-80 Interface (Only digital interface portion of PM-7224 shown for clarity.)



2

# PM-7224

**FIGURE 16:** PM-7224 to 6809 Interface (Only digital interface portion of PM-7224 shown for clarity.)



**FIGURE 17:** PM-7224 to 68008 Microprocessor (Only digital interface portion of PM-7224 shown for clarity.)

