



OP-08

PRECISION LOW-INPUT-CURRENT OPERATIONAL AMPLIFIER

Precision Monolithics Inc.

FEATURES

- Low Offset Voltage 150 μ V Max
- Low Offset Voltage Drift 2.5 μ V/ $^{\circ}$ C Max
- Five Times PM108A Output Current 5mA Min
- Low Offset Current 200pA Max
- Low Bias Current 2nA Max
- Low Power Consumption 18mW Max @ \pm 15V
- High Common-Mode Input Range \pm 13.5V Min
- MIL-STD-883 Class B Processing Available
- Silicon-Nitride Passivation
- 125 $^{\circ}$ C Temperature-Tested Dice
- Available in Die Form

ORDERING INFORMATION

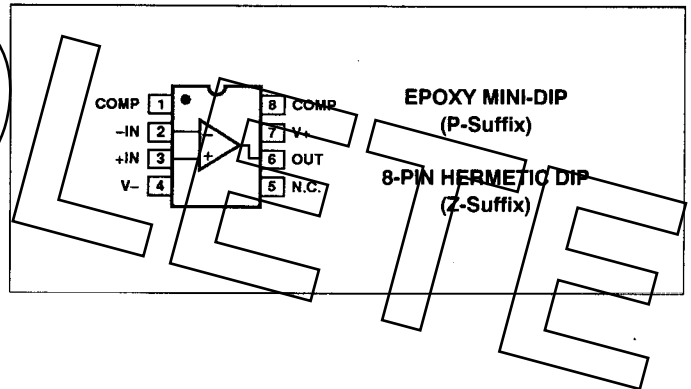
$T_A = 25^{\circ}\text{C}$ V_{OS} MAX (mV)	PACKAGE		OPERATING TEMPERATURE RANGE
	CERDIP 8-PIN	PLASTIC 8-PIN	
0.15	OP08AZ	—	MIL
0.15	—	OP08EP	COM
1.0	OP08GZ	—	COM

† Burn-in is available on commercial and industrial temperature range parts in CerDIP and plastic DIP packages. For ordering information, see 1990/91 Data Book, Section 2.

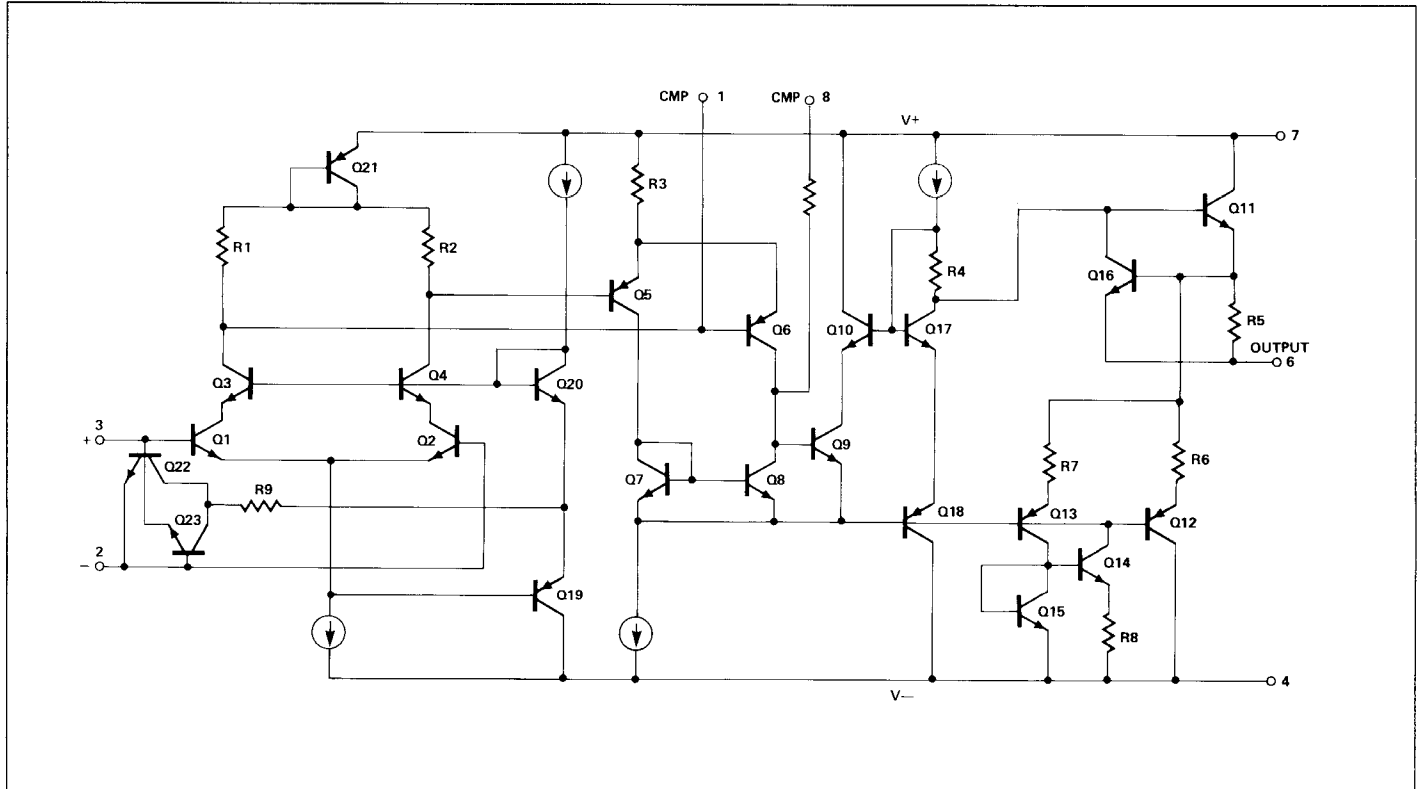
GENERAL DESCRIPTION

The PMI OP-08 is an improved version of the popular LM108A low-power op amp. Excellent performance is achieved by applying PMI's ion-implanted super-beta process and on-chip-zener-zap trimming. The OP-08 has a three-times lower offset voltage and a two-times lower offset voltage drift. Worst-case input offset voltage over -55°C to $+125^{\circ}\text{C}$ for the OP-08 is only 350 μ V. In addition, the OP-08 has five times the output current capability of the 108A. For an op amp with identical specifications plus internal frequency compensation, see the OP-12 data sheet.

PIN CONNECTIONS



SIMPLIFIED SCHEMATIC



ABSOLUTE MAXIMUM RATINGS (Note 4)

Supply Voltage	OP-08A, OP-08E (All DICE Except GR) ±20V
	OP-08G (GR DICE Only) ±18V
Differential Input Current (Note 1)	±10mA
Input Voltage (Note 2)	±15V
Output Short-Circuit Duration	Indefinite
Operating Temperature Range	
OP-08A	-55°C to +125°C
OP-08E, OP-08G	0°C to +70°C
Storage Temperature Range (Z)	-65°C to +150°C
Storage Temperature Range (P)	-65°C to +125°C
Lead Temperature (Soldering, 60 sec)	300°C
DICE Junction Temperature (T _J)	-65°C to +150°C

PACKAGE TYPE	θ_{JA} (Note 3)	θ_{JC}	UNITS
8-Pin Hermetic DIP (Z)	162	26	°C/W
8-Pin Plastic DIP (P)	110	50	°C/W

NOTES:

- The inputs are shunted with back-to-back diodes for overvoltage protection. Therefore, excessive current will flow if a differential input voltage in excess of 1V is applied between the inputs without some limiting resistance.
- For supply voltages less than ±15V, the absolute maximum input voltage is equal to the supply voltage.
- θ_{JA} is specified for worst case mounting conditions, i.e., θ_{JA} is specified for device in socket for CerDIP and P-DIP packages.
- Absolute maximum ratings apply to both DICE and packaged parts, unless otherwise noted.

ELECTRICAL CHARACTERISTICS at T_A = +25°C, V_S = ±20V for A and E Grades, V_S = ±15V for G Grade, unless otherwise noted.
 Compensation capacitor = 30pF

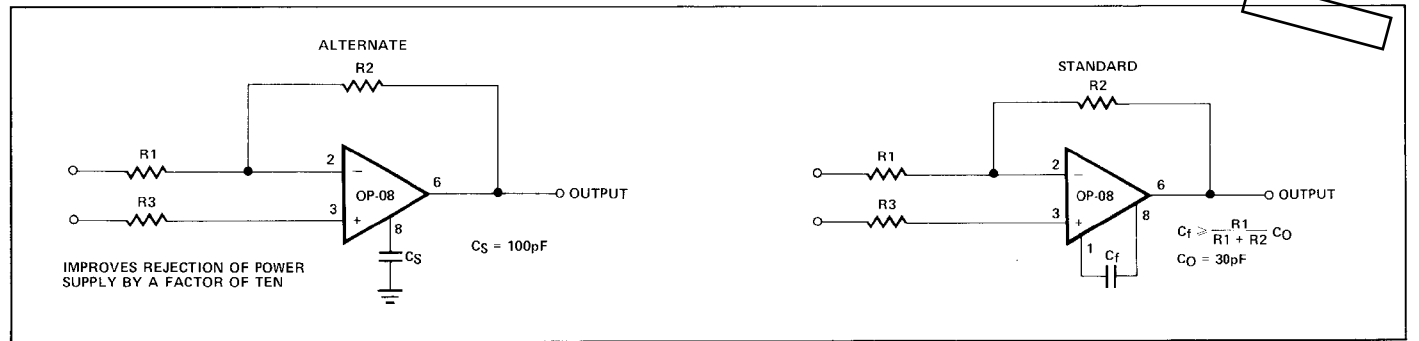
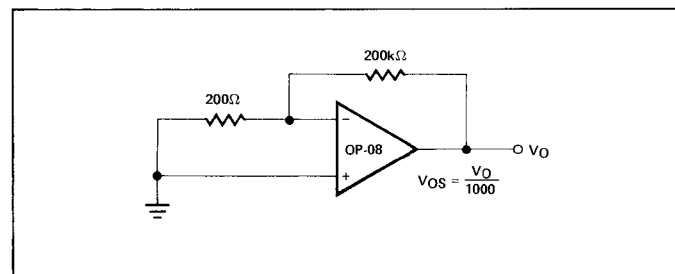
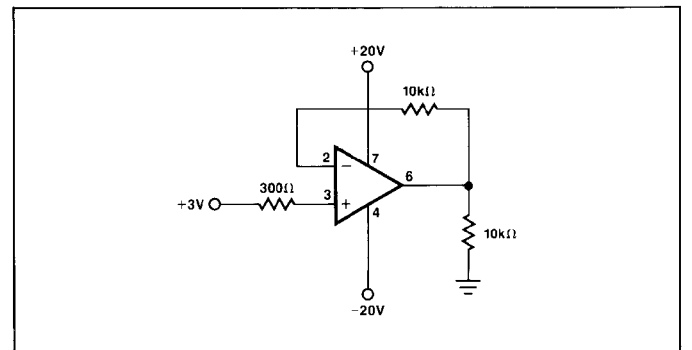
PARAMETER	SYMBOL	CONDITIONS	OP-08A/E			OP-08G			UNITS
			MIN	TYP	MAX	MIN	TYP	MAX	
Input Offset Voltage	V _{OS}		—	0.07	0.15	—	0.25	1.0	mV
Input Offset Current	I _{OS}		—	0.05	0.20	—	0.08	0.50	nA
Input Bias Current	I _B		—	0.80	2.0	—	1.0	5.0	nA
Input Noise Voltage	e _{np-p}	0.1Hz to 10Hz	—	0.9	—	—	0.9	—	μV _{p-p}
Input Noise Voltage Density	e _n	f _O = 10Hz	—	22	—	—	22	—	nV/√Hz
		f _O = 100Hz	—	21	—	—	21	—	
		f _O = 1000Hz	—	20	—	—	20	—	
Input Noise Current	i _{np-p}	0.1Hz to 10Hz	—	3	—	—	3	—	pA _{p-p}
Input Noise Current Density	i _n	f _O = 10Hz	—	0.15	—	—	0.15	—	pA/√Hz
		f _O = 100Hz	—	0.14	—	—	0.14	—	
		f _O = 1000Hz	—	0.13	—	—	0.13	—	
Input Resistance — Differential Mode	R _{IN}	(Note 1)	26	70	—	10	50	—	MΩ
Input Voltage Range	IVR	V _S = ±15V	±13.5	±14.0	—	±13.5	±14.0	—	V
Common-Mode Rejection Ratio	CMRR	V _{CM} = ±13.5V	104	120	—	84	116	—	dB
Power Supply Rejection Ratio	PSRR	V _S = ±5V to ±15V	—	1	7	—	2	63	μV/V
Large-Signal Voltage Gain	A _{VO}	R _L ≥ 10kΩ, V _O = ±10V	80	300	—	40	250	—	V/mV
		R _L ≥ 2kΩ, V _O = ±10V, V _S = ±15V	50	150	—	—	100	—	
Output Voltage Swing	V _O	R _L ≥ 10kΩ, V _S = ±15V	±13	±14	—	±13	±14	—	V
		R _L ≥ 2kΩ, V _S = ±15V	±10	±12	—	±10	±12	—	
Slew Rate	SR	R _L ≥ 2kΩ	—	0.12	—	—	0.12	—	V/μs
Closed-Loop Bandwidth	BW	A _{VCL} = +1	—	0.8	—	—	0.8	—	MHz
Open-Loop Output Resistance	R _O	V _O = 0, I _O = 0	—	200	—	—	200	—	Ω
Power Consumption	P _d	V _S = ±15V	—	9	18	—	12	24	mW
		V _S = ±5V	—	3	6	—	4	8	

NOTE:

- Guaranteed by input bias current.

ELECTRICAL CHARACTERISTICS $V_S = \pm 20V$ for A Grade, $-55^\circ C \leq T_A \leq +125^\circ C$, unless otherwise noted.

PARAMETER	SYMBOL	CONDITIONS	OP-08A			UNITS
			MIN	TYP	MAX	
Input Offset Voltage	V_{OS}		-	0.12	0.35	mV
Average Input Offset Voltage Drift	TCV_{OS}		-	0.50	2.5	$\mu V/^\circ C$
Input Offset Current	I_{OS}		-	0.12	0.40	nA
Average Input Offset Current Drift	TCI_{OS}		-	0.50	2.5	$\mu A/^\circ C$
Input Bias Current	I_B		-	1.2	3.0	nA
Input Voltage Range	V_{IR}	$V_S = \pm 15V$	± 13.5	± 14.0	-	V
Common-Mode Rejection Ratio	CMRR	$V_{CM} = \pm 13.5$	100	110	-	dB
Power Supply Rejection Ratio	PSRR	$V_S = \pm 5V$ to $\pm 15V$	-	4	10	$\mu V/V$
Large-Signal Voltage Gain	A_{VO}	$R_L \geq 5k\Omega$, $V_O = \pm 10V$, $V_S = \pm 15V$	40	120	-	V/mV
Output Voltage Swing	V_O	$R_L \geq 10k\Omega$, $V_S = \pm 15V$, $R_L \geq 5k\Omega$, $V_S = \pm 15V$	± 13 ± 10	± 14 ± 12	-	V
Power Consumption	P_d	$V_S = \pm 15V$		9	18	mW

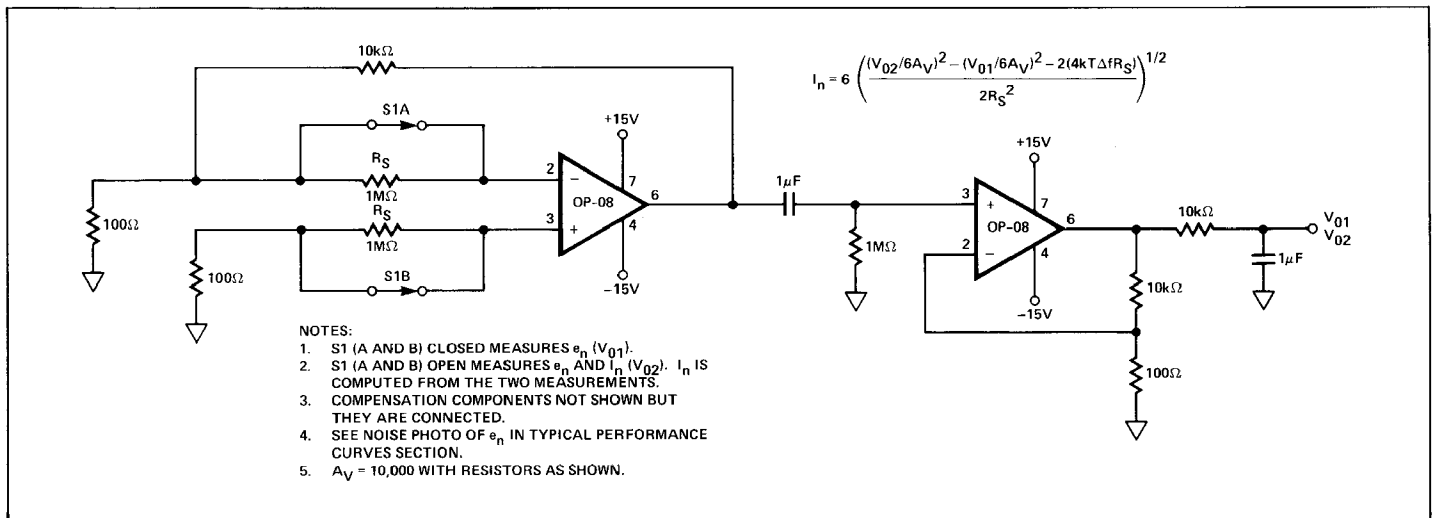
COMPENSATION CIRCUITS

OFFSET VOLTAGE TEST CIRCUIT

BURN-IN CIRCUIT


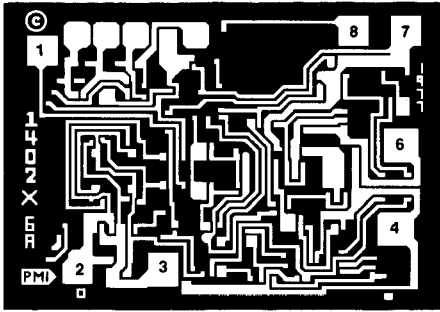
ELECTRICAL CHARACTERISTICS at $V_S = \pm 15V$ for G Grade and $V_S = \pm 20V$ for E Grade, $0^\circ C \leq T_A \leq +70^\circ C$, unless otherwise noted.

PARAMETER	SYMBOL	CONDITIONS	OP-08E			OP-08G			UNITS
			MIN	TYP	MAX	MIN	TYP	MAX	
Input Offset Voltage	V_{OS}		—	0.10	0.26	—	0.32	1.4	mV
Average Input Offset Voltage Drift	TCV_{OS}	(Note 1)	—	0.50	2.5	—	1.5	10	$\mu V/^\circ C$
Input Offset Current	I_{OS}		—	0.08	0.30	—	0.12	6.5	nA
Average Input Offset Current Drift	TCI_{OS}	(Note 1)	—	0.50	2.5	—	2.0	50	$pA/^\circ C$
Input Bias Current	I_B		—	1.0	2.6	—	1.4	6.5	nA
Input Voltage Range	IVR	$V_S = \pm 15V$	± 13.5	± 14.0	—	± 13.5	± 14.0	—	V
Common-Mode Rejection Ratio	CMRR	$V_{CM} = \pm 13.5V$	100	116	—	80	112	—	dB
Power Supply Rejection Ratio	PSRR	$V_S = \pm 5V$ to $\pm 15V$	—	2	10	—	3	100	$\mu V/V$
Large-Signal Voltage Gain	A_{VO}	$R_L \geq 2k\Omega$, $V_O = \pm 10V$	25	100	—	—	80	—	V/mV
		$R_L \geq 10k\Omega$, $V_O = \pm 10V$, $V_S = \pm 15V$	60	200	—	25	150	—	
Output Voltage Swing	V_O	$R_L \geq 10k\Omega$, $V_S = \pm 15V$	± 13	± 14	—	± 13	± 14	—	V
		$R_L \geq 2k\Omega$, $V_S = \pm 15V$	± 10	± 12	—	± 10	± 12	—	
Power Consumption	P_d	$V_S = \pm 15V$	—	9	18	—	15	24	mW

NOTE:
1. Sample tested.

LOW-FREQUENCY NOISE TEST CIRCUIT (0.1 to 10Hz)



DICE CHARACTERISTICS (125° C TESTED DICE AVAILABLE)


DIE SIZE 0.059 × 0.043 inch, 2537 sq. mils
 (1.50 × 1.09 mm, 1.64 sq. mm)

1. COMPENSATION
2. INVERTING INPUT
3. NONINVERTING INPUT
4. V⁻
6. OUTPUT
7. V⁺
8. COMPENSATION

For additional DICE ordering information, refer to 1990/91 Data Book, Section 2.

WAFER TEST LIMITS at $V_S = \pm 20V$ and $T_A = 25^\circ C$ for OP-08N and OP-08G devices; $V_S = \pm 20V$ and $T_A = 125^\circ C$ for OP-08NT and OP-08GT devices; $V_S = \pm 15V$ and $T_A = 25^\circ C$ for OP-08GR devices, unless otherwise noted.

PARAMETER	SYMBOL	CONDITIONS	OP-08NT LIMIT	OP-08N LIMIT	OP-08GT LIMIT	OP-08G LIMIT	OP-08GR LIMIT	UNITS
Input Offset Voltage	V_{OS}		0.35	0.15	0.6	0.3	1.0	mV MAX
Input Offset Current	I_{OS}		0.4	0.2	0.4	0.2	0.5	nA MAX
Input Bias Current	I_B		3	2	4	2	5	nA MAX
Input Voltage Range	IVR	$V_S = \pm 15V$	± 13.5	± 13.5	± 13.5	± 13.5	± 13.5	V MIN
Common-Mode Rejection Ratio	CMRR	$V_{CM} = \pm 13V$ $V_S = \pm 15V$	100	104	100	104	84	dB MIN
Power Supply Rejection Ratio	PSRR	$V_S = \pm 5V$ to $\pm 15V$	10	7	10	7	63	$\mu V/V$ MAX
Output Voltage Swing	V_O	$V_S = \pm 15V$ $R_L \geq 10k\Omega$	± 13	± 13	± 13	± 13	± 13	V MIN
		$R_L \geq 2k\Omega$	—	± 10	—	± 10	± 10	
		$R_L \geq 5k\Omega$	± 10	—	± 10	—	—	
Large-Signal Voltage Gain ($V_O = \pm 10V$)	A_{VO}	$R_L \geq 10k\Omega$	—	80	—	80	40	V/mV MIN
		$R_L \geq 2k\Omega, V_S = \pm 15V$	—	50	—	50	—	
		$R_L \geq 5k\Omega, V_S = \pm 15V$	40	—	40	—	—	
Input Resistance	R_{IN}	(Note 2)	—	25	—	25	10	M Ω MIN
Supply Current	I_{SY}	$I_{OUT} = 0, V_S = \pm 15V$ $V_{OUT} = 0$	0.6	0.6	0.6	0.6	0.8	mA MAX

NOTES:

1. For 25° C characteristics of NT & GT devices, see N & G characteristics, respectively.
2. Guaranteed by input bias current.

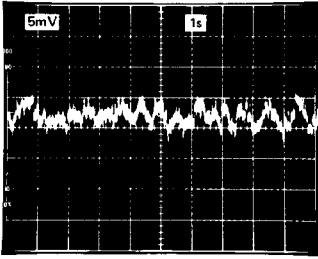
Electrical tests are performed at wafer probe to the limits shown. Due to variations in assembly methods and normal yield loss, yield after packaging is not guaranteed for standard product dice. Consult factory to negotiate specifications based on dice lot qualification through sample lot assembly and testing.

TYPICAL ELECTRICAL CHARACTERISTICS at $V_S = \pm 15V$, unless otherwise noted.

PARAMETER	SYMBOL	CONDITIONS	OP-08NT TYPICAL	OP-08N TYPICAL	OP-08GT TYPICAL	OP-08G TYPICAL	OP-08GR TYPICAL	UNITS
Average Input Offset Voltage Drift	TCV_{OS}		0.5	0.5	1.0	1.0	1.5	$\mu V/^\circ C$
Average Input Offset Current Drift	TCI_{OS}		0.5	0.5	0.5	0.5	1.0	pA/° C

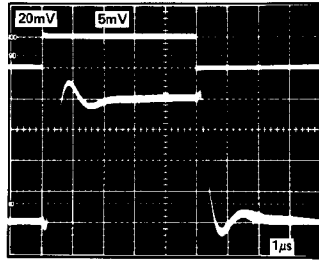
TYPICAL PERFORMANCE CHARACTERISTICS

LOW FREQUENCY NOISE

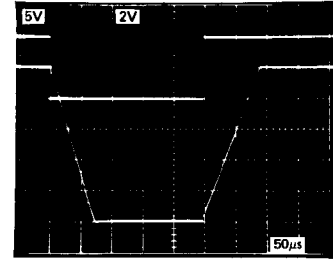


$R_S = 0$, $BW = 0.1\text{Hz TO } 10\text{Hz}$
 5mV/DIV AT READOUT
 0.5 $\mu\text{V/DIV}$ REFERRED TO INPUT

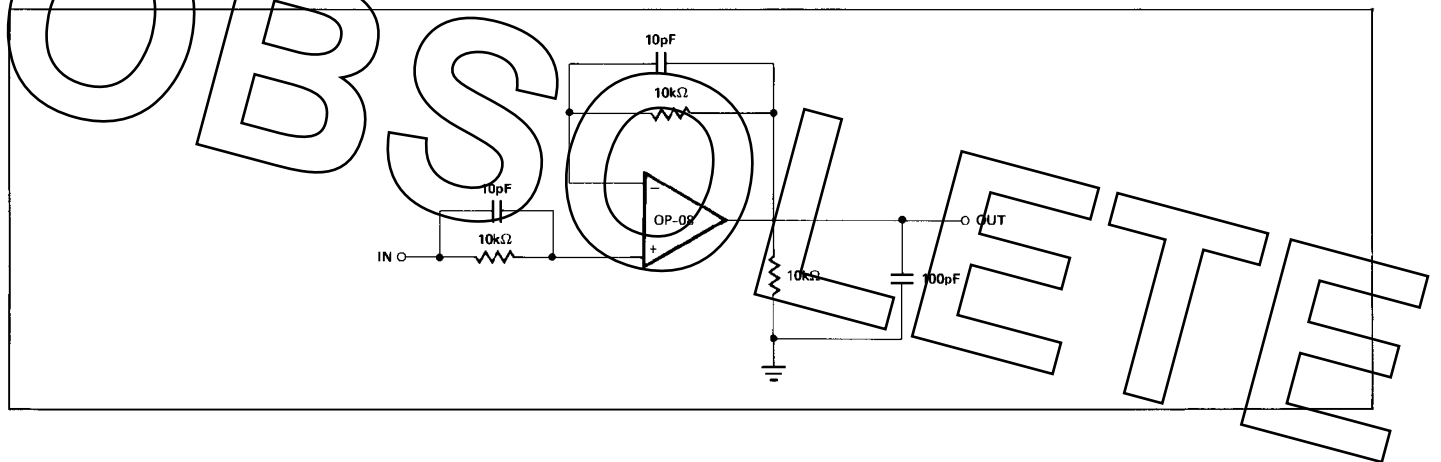
SMALL-SIGNAL TRANSIENT RESPONSE



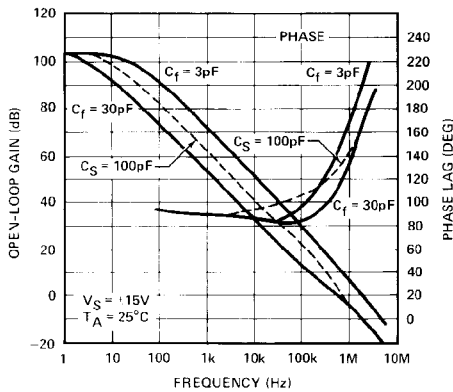
LARGE-SIGNAL TRANSIENT RESPONSE



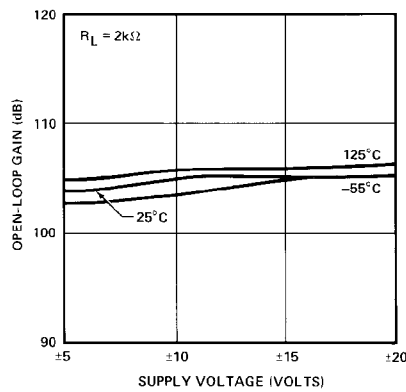
TRANSIENT RESPONSE TEST CIRCUIT



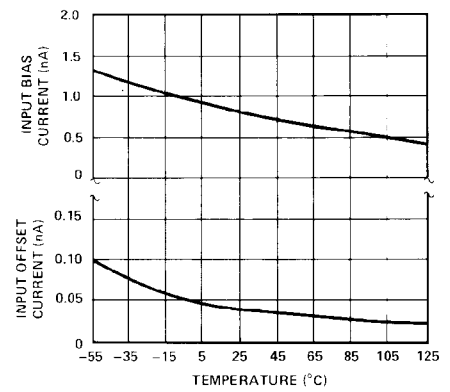
OPEN-LOOP GAIN AND PHASE vs FREQUENCY

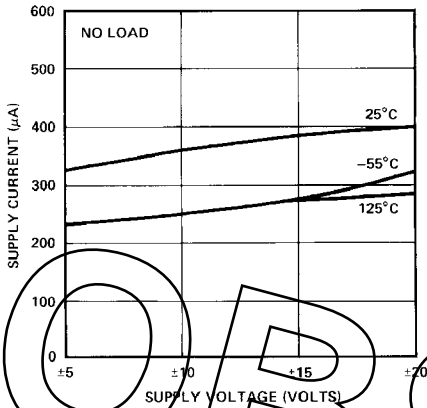
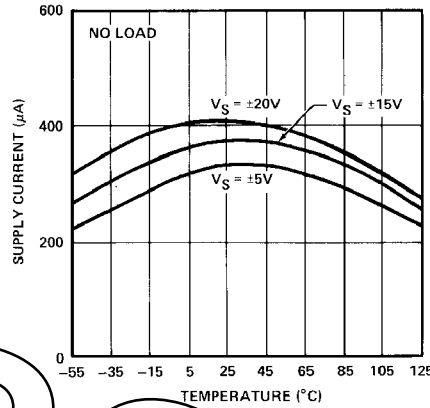
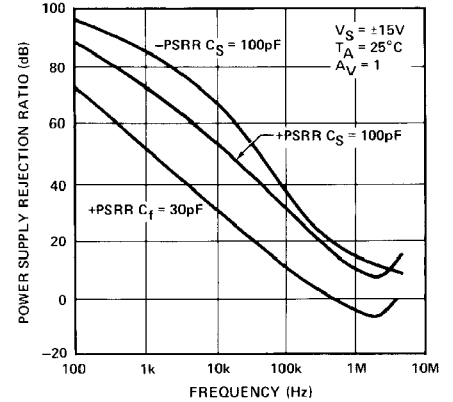


OPEN-LOOP GAIN vs SUPPLY VOLTAGE

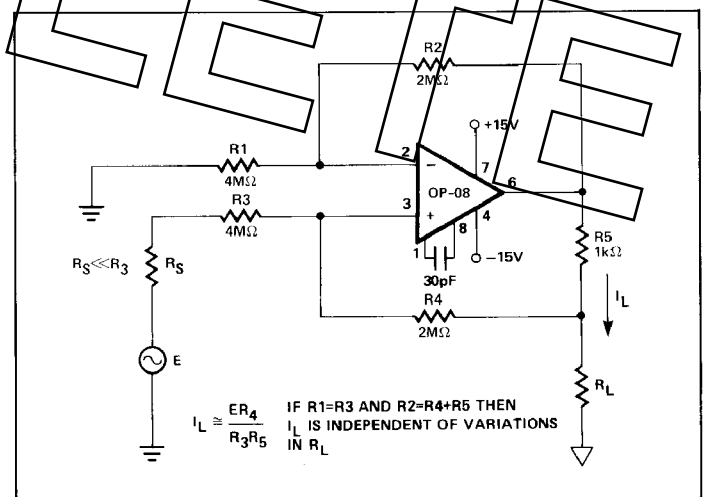


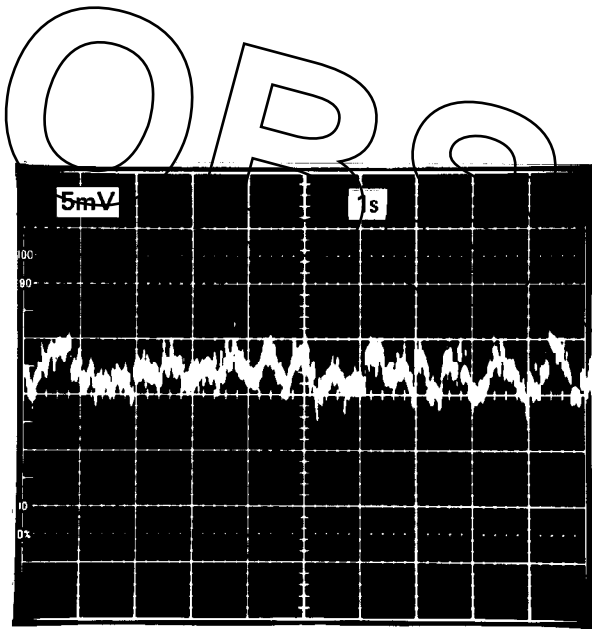
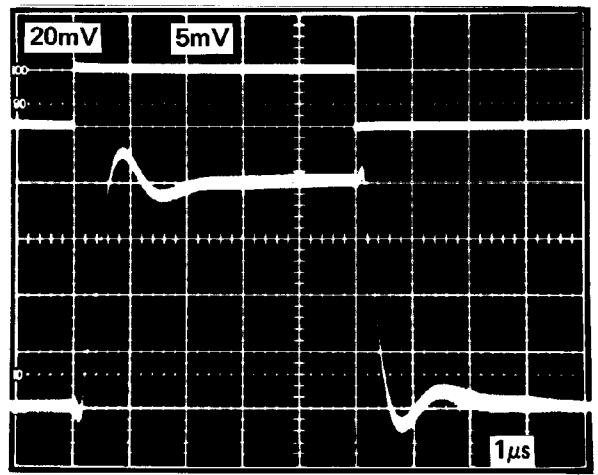
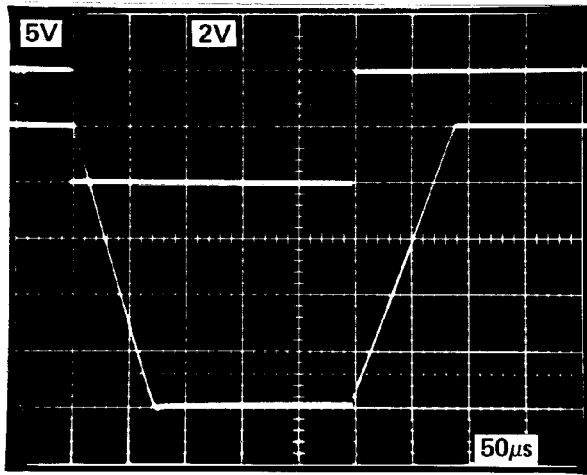
INPUT BIAS CURRENT AND INPUT OFFSET CURRENT vs TEMPERATURE



TYPICAL PERFORMANCE CHARACTERISTICS
SUPPLY CURRENT vs SUPPLY VOLTAGE

SUPPLY CURRENT vs TEMPERATURE

POWER SUPPLY REJECTION RATIO (PSRR) vs FREQUENCY

APPLICATIONS INFORMATION

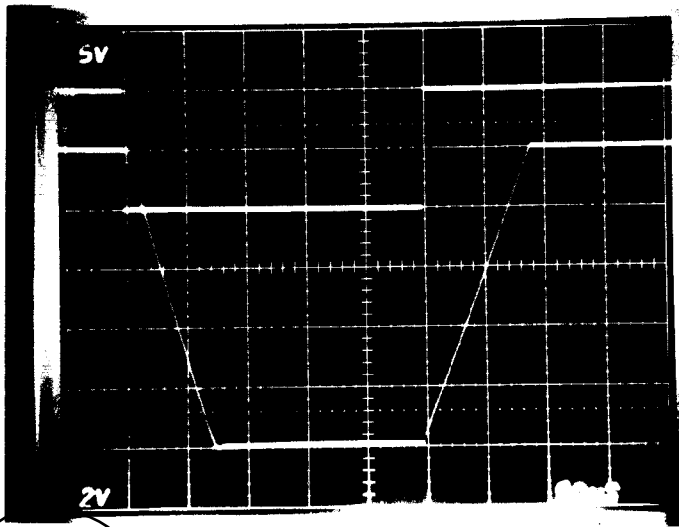
The OP-08 series has very low input offset and bias currents; the user is cautioned that printed circuit board leakage currents can produce significant errors, especially at high board temperatures. Careful attention to board layout and cleaning procedure is needed to take full advantage of the OP-08 performance. Board leakage is minimized by encircling the input pins with a guard ring maintained at the same potential as the inputs. This guard ring should be driven by a low impedance source, such as an amplifier's output or ground.

TYPICAL APPLICATION
BILATERAL CURRENT SOURCE




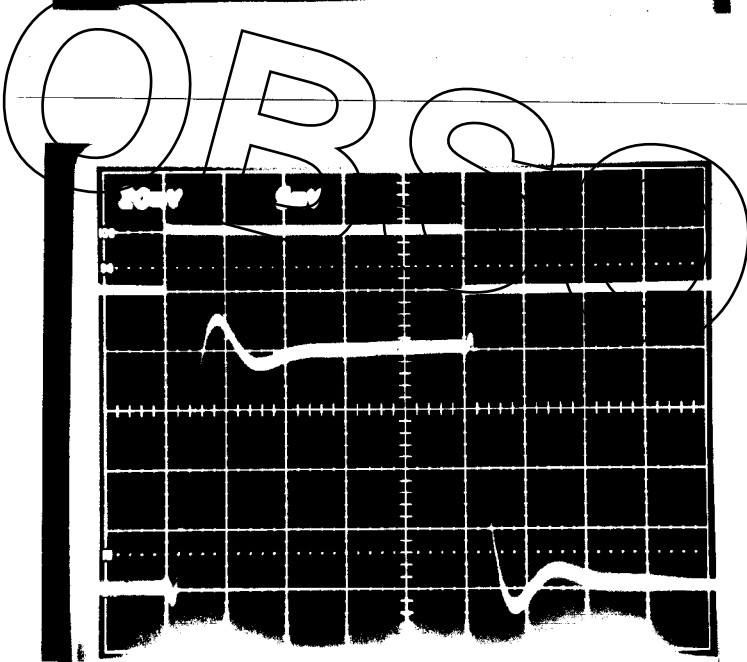
$R_S = 0$, BW = 0.1Hz TO 10Hz
 5mV/DIV AT READOUT
 0.5µV/DIV REFERRED TO INPUT

OPPOSITE



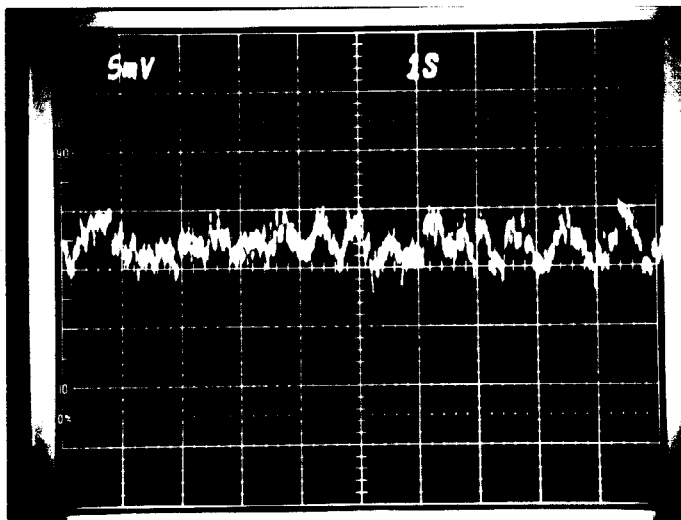
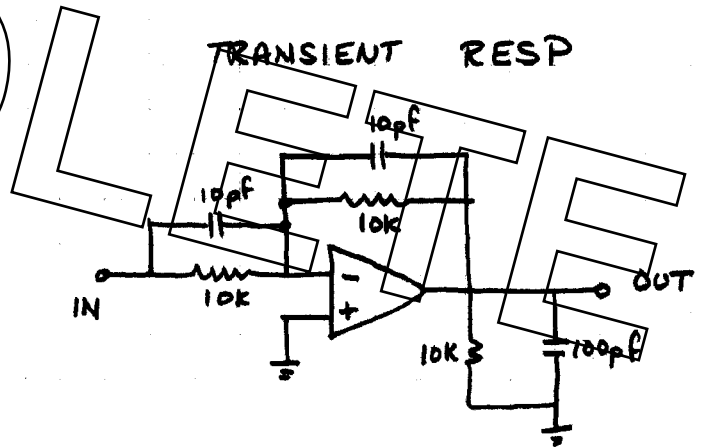
OP08, 12

LARGE SIGNAL RESP.



OP08, 12

TRANSIENT RESP



OP08, 12

LOW FREQ NOISE

$R_s = \infty$, BW = 0.1 Hz to 10 Hz

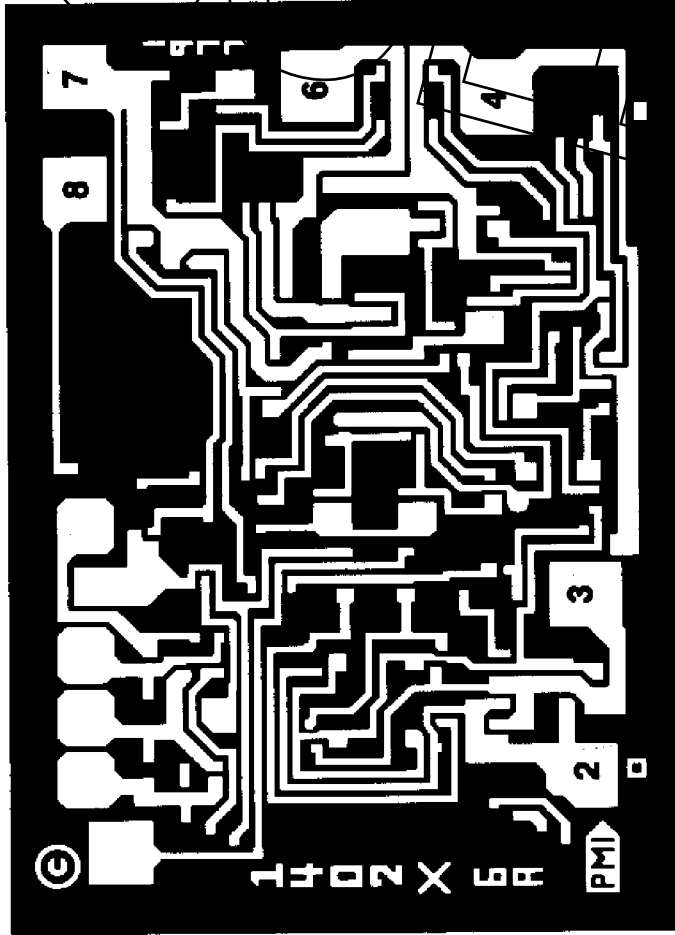
5mV/div AT OUTPUT

0.5μV/div REFERRED TO INPUT

OP-08

OBSSO...
op.08
EM

- 1. COMPENSATION
- 2. INVERTING INPUT
- 3. NON-INVERTING INPUT
- 4. V-
- 6. OUTPUT
- 7. V+
- 8. COMPENSATION



DIE SIZE 0.058 x 0.042 inch