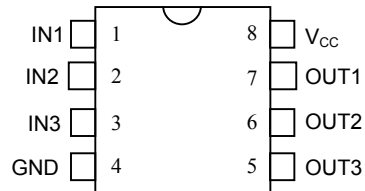


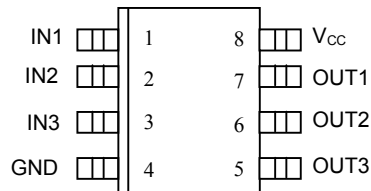
FEATURES

- All-silicon timing circuit
- Three independent buffered delays
- Stable and precise over temperature and voltage
- Leading and trailing edge precision preserves the input symmetry
- Standard 8-pin DIP, 8-pin SOIC (150-mil), and 8-pin μ SOP (118-mil)
- Vapor phasing, IR, and wave solderable
- Available in tape and reel
- Commercial and industrial temperature ranges available; see order information table
- 5V operation (for 3V operation, see part number DS1135L)
- Recommended replacement for DS1013 and DS1035

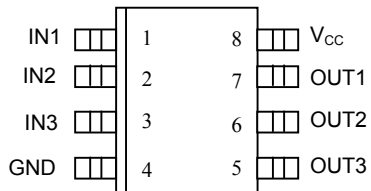
PIN ASSIGNMENT



DS1135M 8-Pin DIP



DS1135Z 8-Pin SOIC (150-mil)



DS1135U 8-Pin 118-mil μ SOP

PIN DESCRIPTION

IN1-IN3	- Input Signals
OUT1-OUT3	- Output Signals
V _{CC}	- +5V Supply
GND	- Ground

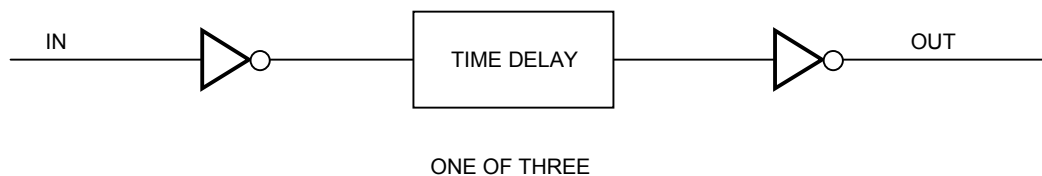
DESCRIPTION

The DS1135 series is a low-power, +5-volt high-speed version of the popular DS1013 and DS1035.

The DS1135 series of delay lines have three independent logic buffered delays in a single package. The device is Dallas Semiconductor's fastest 3-in-1 delay line. It is available in a standard 8-pin DIP and 150-mil 8-pin Mini-SOIC, as well as an 8-pin, 118-mil μ SOP.

The device features precise leading and trailing edge accuracy. It has the inherent reliability of an all-silicon delay line solution. Each output is capable of driving up to 10 LS loads.

Standard delay values are indicated in Table 1. Customers may contact Dallas Semiconductor at (972) 371-4348 for further information on custom delay values.

LOGIC DIAGRAM Figure 1**PART NUMBER DELAY TABLE (t_{PLH} , t_{PHL}) Table 1**

PART NUMBER	DELAY PER OUTPUT (ns)	INITIAL TOLERANCE (Note 1)	TOLERANCE OVER TEMP AND VOLTAGE (Note 2)	
			0°C to +70°C	-40°C to +85°C
DS1135-6	6/6/6	±1.0ns	±1.0ns	±1.5ns
DS1135-8	8/8/8	±1.0ns	±1.0ns	±1.5ns
DS1135-10	10/10/10	±1.0ns	±1.0ns	±1.5ns
DS1135-12	12/12/12	±1.0ns	±1.0ns	±1.5ns
DS1135-15	15/15/15	±1.0ns	±1.5ns	±2ns
DS1135-20	20/20/20	±1.0ns	±1.5ns	±2ns
DS1135-25	25/25/25	±1.5ns	±1.5ns	±2ns
DS1135-30	30/30/30	±1.5ns	±1.5ns	±2ns

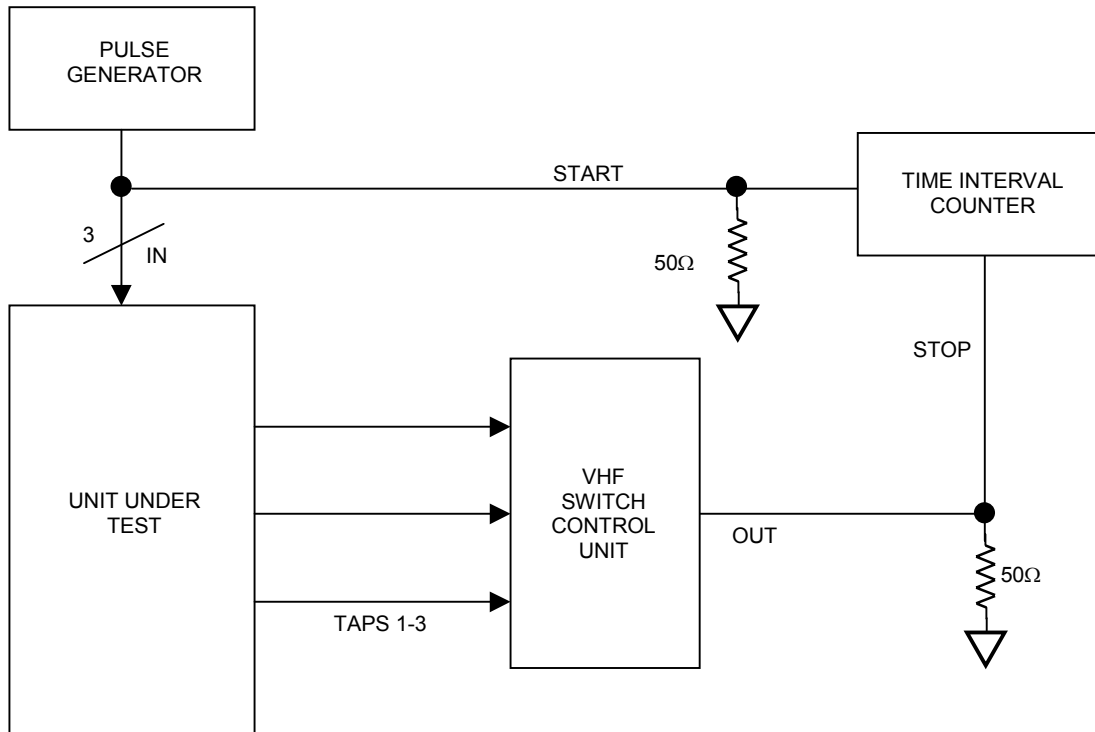
NOTES:

1. Nominal conditions are +25°C and $V_{CC} = +5.0$ volts.
2. Voltage range of 4.75 volts to 5.25 volts.
3. Delay accuracies are for both leading and trailing edges.

TEST SETUP DESCRIPTION

Figure 2 illustrates the hardware configuration used for measuring the timing parameters of the DS1135. The input waveform is produced by a precision pulse generator under software control. Time delays are measured by a time interval counter (20ps resolution) connected to the output. The DS1135 output taps are selected and connected to the interval counter by a VHF switch control unit. All measurements are fully automated with each instrument controlled by the computer over an IEEE 488 bus.

DS1135 TEST CIRCUIT Figure 2



ABSOLUTE MAXIMUM RATINGS*

Voltage on Any Pin Relative to Ground	-1.0V to +7.0V
Operating Temperature	-40°C to +85°C
Storage Temperature	-55°C to +125°C
Soldering Temperature	See J-STD-020A specification
Short Circuit Output Current	50mA for 1 second

* This is a stress rating only and functional operation of the device at these or any other conditions above those indicated in the operation sections of this specification is not implied. Exposure to absolute maximum rating conditions for extended periods of time may affect reliability.

DC ELECTRICAL CHARACTERISTICS (-40°C to +85°C; $V_{CC} = +5V \pm 5\%$)

PARAMETER	SYMBOL	TEST CONDITION	MIN	TYP	MAX	UNITS	NOTES
Supply Voltage	V_{CC}		4.75	5.00	5.25	V	1
Active Current	I_{CC}	$V_{CC}=5.25V$ Period=1 μ s			35	mA	
High Level Input Voltage	V_{IH}		2.2		$V_{CC} + 0.5$	V	1
Low Level Input Voltage	V_{IL}		-0.5		0.8	V	1
Input Leakage	I_L	$0V \leq V_I \leq V_{CC}$	-1.0		+1.0	μ A	
High Level Output Current	I_{CC}	$V_{CC}=4.75V$ $V_{OH}=4V$			-1.0	mA	1
Low Level Output Current	I_{CC}	$V_{CC}=4.75V$ $V_{OL}=0.5V$	12			mA	1

AC ELECTRICAL CHARACTERISTICS (-40°C to +85°C; $V_{CC} = +5V \pm 5\%$)

PARAMETER	SYMBOL	MIN	TYP	MAX	UNITS	NOTES
Period	t_{PERIOD}	2 (t_{WI})			ns	2
Input Pulse Width	t_{WI}	100% of Tap Delay			ns	2
Input-to-Output Delay	t_{PLH}, t_{PHL}	See Table 1			ns	
Output Rise or Fall Time	t_{OF}, t_{OR}		2.0	2.5	ns	
Power-up Time	t_{PU}			100	ms	3

NOTES:

- All voltages are referenced to ground.
- Pulse width and duty cycle specifications may be exceeded, however, accuracy will be application sensitive with respect to decoupling, layout, etc.
- Power-up time is the time from the application of power to the time stable delays are being produced at the output.

CAPACITANCE $(T_A = 25^\circ C)$

PARAMETER	SYMBOL	MIN	TYP	MAX	UNITS	NOTES
Input Capacitance	C_{IN}			10	pF	

TEST CONDITIONS

Ambient Temperature: $25^{\circ}\text{C} \pm 3^{\circ}\text{C}$

Supply Voltage (V_{CC}): $5.0\text{V} \pm 0.1\text{V}$

Input Pulse:

High: $3.0\text{V} \pm 0.1\text{V}$

Low: $0.0\text{V} \pm 0.1\text{V}$

Source Impedance: 50Ω Max.

Rise and Fall Time: 3.0ns Max. - Measured between 0.6V and 2.4V .

Pulse Width: 500ns

Pulse Period: $1\mu\text{s}$

Output Load Capacitance: 15pF

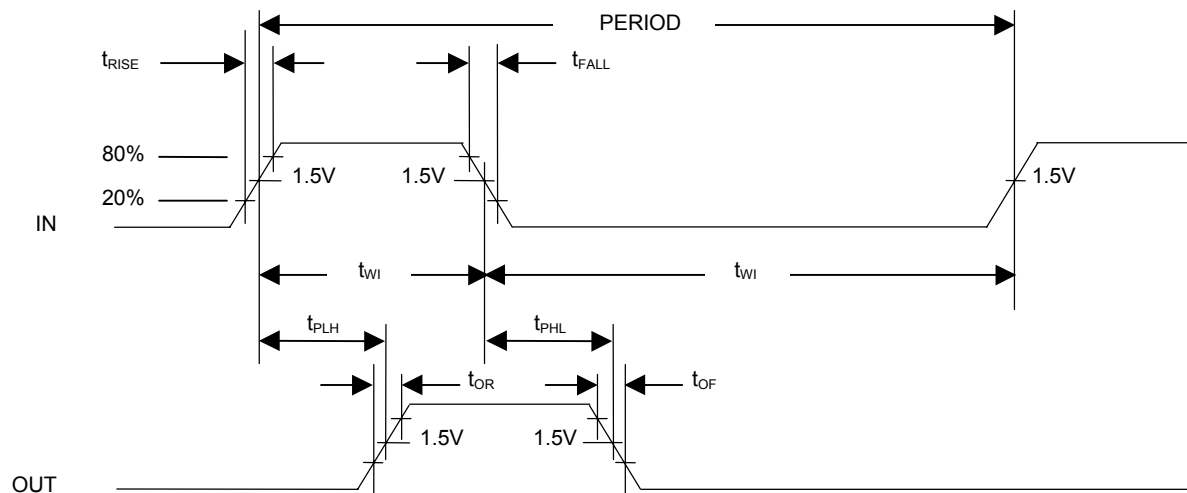
Output: Each output is loaded with the equivalent of one 74F04 input gate.

Data is measured at the 1.5V level on the rising and falling edges.

NOTE:

The above conditions are for test only and do not restrict the devices under other data sheet conditions.

TIMING DIAGRAM



TERMINOLOGY

Period: The time elapsed between the leading edge of the first pulse and the leading edge of the following pulse.

t_{WI} (Pulse Width): The elapsed time on the pulse between the 1.5-volt point on the leading edge and the 1.5-volt point on the trailing edge or the 1.5-volt point on the trailing edge and the 1.5-volt point on the leading edge.

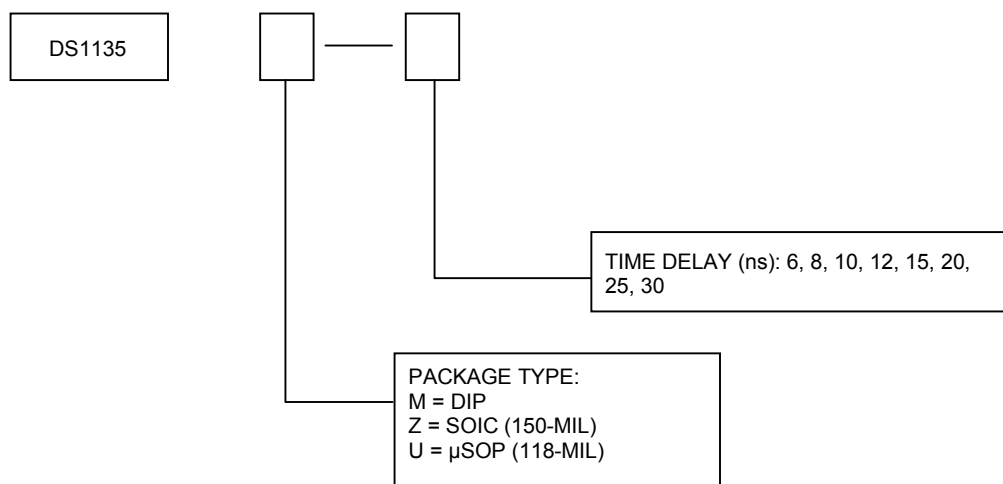
t_{RISE} (Input Rise Time): The elapsed time between the 20% and the 80% point on the leading edge of the input pulse.

t_{FALL} (Input Fall Time): The elapsed time between the 80% and the 20% point on the trailing edge on the input pulse.

t_{PLH} (Time Delay, Rising): The elapsed time between the 1.5-volt point on the leading edge of the input pulse and the 1.5-volt point on the leading edge of the output pulse.

t_{PHL} (Time Delay, Falling): The elapsed time between the 1.5-volt point on the falling edge of the input pulse and the 1.5-volt point on the falling edge of the output pulse.

ORDERING INFORMATION



DEVICE	PACKAGE TYPE	OPERATING TEMPERATURE RANGE (CELSIUS)	ORDERING NUMBER	SPEED OR VERSION	
DS0621	Software		DS0621-SDK		
DS1000	8-Pin DIP	0 to 70	DS1000M-xxx	xxx = 500 ns	
	8-Pin SOIC	0 to 70	DS1000Z-xxx	xxx = 500 ns	
	8-Pin SOIC T&R	0 to 70	DS1000Z-xxx/T&R	xxx = 500 ns	
DS1000-IND	8-Pin DIP	-40 to +85	DS1000M-xxx IND	xxx = 500 ns	
	8-Pin SOIC	-40 to +85	DS1000Z-xxx IND	xxx = 500 ns	
	8-Pin SOIC T&R	-40 to +85	DS1000Z-xxxN/T&R	xxx = 500 ns	
DS1004	8-Pin DIP	0 to 70	DS1004M-002	13 ns total delay	
	8-Pin DIP	0 to 70	DS1004M-003	17 ns total delay	
	8-Pin DIP	0 to 70	DS1004M-004	21 ns total delay	
	8-Pin DIP	0 to 70	DS1004M-005	25 ns total delay	
	8-Pin SOIC	0 to 70	DS1004Z-002	13 ns total delay	
	8-Pin SOIC T&R	0 to 70	DS1004Z-2/T&R	13 ns total delay	
	8-Pin SOIC	0 to 70	DS1004Z-003	17 ns total delay	
	8-Pin SOIC T&R	0 to 70	DS1004Z-3/T&R	17 ns total delay	
	8-Pin SOIC	0 to 70	DS1004Z-004	21 ns total delay	
	8-Pin SOIC T&R	0 to 70	DS1004Z-4/T&R	21 ns total delay	
	8-Pin SOIC	0 to 70	DS1004Z-005	25 ns total delay	
	8-Pin SOIC T&R	0 to 70	DS1004Z-5/T&R	25 ns total delay	
	DS1005	14-Pin DIP	0 to 70	DS1005-xxx	xxx = 060 to 250 ns
		8-Pin DIP	0 to 70	DS1005M-xxx	xxx = 060 to 250 ns
16-Pin SOIC		0 to 70	DS1005S-xxx	xxx = 060 to 250 ns	
16-Pin SOIC T&R		0 to 70	DS1005S-xxx/T&R	xxx = 060 to 250 ns	
DS1007	16-Pin DIP	0 to 70	DS1007-xxx	xxx = 001 to 014	
	16-Pin SOIC	0 to 70	DS1007S-xxx	xxx = 001 to 014	
	16-Pin SOIC T&R	0 to 70	DS1007S-xxx/T&R	xxx = 001 to 014	
DS1010	14-Pin DIP	0 to 70	DS1010-xxx	xxx = 050 to 500 ns	
	16-Pin SOIC	0 to 70	DS1010S-xxx	xxx = 050 to 500 ns	
	16-Pin SOIC T&R	0 to 70	DS1010S-xxx/T&R	xxx = 050 to 500 ns	
DS1013	14-Pin DIP	0 to 70	DS1013-xxx	xxx = 010 to 200 ns	
	16-Pin SOIC	0 to 70	DS1013S-xxx	xxx = 010 to 200 ns	
	16-Pin SOIC T&R	0 to 70	DS1010S-xxx/T&R	xxx = 010 to 200 ns	
DS1020	16-Pin DIP	0 to 70	DS1020-15	0.15 ns Steps	
	16-Pin DIP	0 to 70	DS1020-25	0.25 ns Steps	
	16-Pin DIP	0 to 70	DS1020-50	0.50 ns Steps	
	16-Pin DIP	0 to 70	DS1020-100	1.00 ns Steps	
	16-Pin DIP	0 to 70	DS1020-200	2.00 ns Steps	

	16-Pin SOIC	0 to 70	DS1020S-15	0.15 ns Steps
	16-Pin SOIC T&R	0 to 70	DS1020S-15/T&R	0.15 ns Steps
	16-Pin SOIC	0 to 70	DS1020S-25	0.25 ns Steps
	16-Pin SOIC T&R	0 to 70	DS1020S-25/T&R	0.25 ns Steps
	16-Pin SOIC	0 to 70	DS1020S-50	0.50 ns Steps
	16-Pin SOIC T&R	0 to 70	DS1020S-50/T&R	0.50 ns Steps
	16-Pin SOIC	0 to 70	DS1020S-100	1.00 ns Steps
	16-Pin SOIC	0 to 70	DS1020S-200	2.00 ns Steps
DS1021	16-Pin SOIC	0 to 70	DS1021S-25	0.25 ns Steps
	16-Pin SOIC T&R	0 to 70	DS1021S-25/T&R	0.25 ns Steps
	16-Pin SOIC	0 to 70	DS1021S-50	0.50 ns Steps
	16-Pin SOIC T&R	0 to 70	DS1021S-25/T&R	0.50 ns Steps
DS1023	16-Pin DIP	0 to 70	DS1023-25	0.25 ns Steps
	16-Pin DIP	0 to 70	DS1023-50	0.50 ns Steps
	16-Pin DIP	0 to 70	DS1023-100	1.00 ns Steps
	16-Pin DIP	0 to 70	DS1023-200	2.00 ns Steps
	16-Pin DIP	0 to 70	DS1023-500	5.00 ns Steps
	16-Pin SOIC	0 to 70	DS1023S-25	0.25 ns Steps
	16-Pin SOIC	0 to 70	DS1023S-50	0.50 ns Steps
	16-Pin SOIC	0 to 70	DS1023S-100	1.00 ns Steps
	16-Pin SOIC	0 to 70	DS1023S-200	2.00 ns Steps
	16-Pin SOIC	0 to 70	DS1023S-500	5.00 ns Steps
DS1033	8-Pin DIP	0 to 70	DS1033M-xxx	xxx = 008 to 030 ns
	8-Pin SOIC	0 to 70	DS1033Z-xxx	xxx = 008 to 030 ns
	8-Pin SOIC T&R	0 to 70	DS1033Z-xxx/T&R	xxx = 008 to 030 ns
DS1035	8-Pin DIP	0 to 70	DS1035M-xxx	xxx = 006 to 030 ns
	8-Pin SOIC	0 to 70	DS1035Z-xxx	xxx = 006 to 030 ns
DS1040	8-Pin DIP	0 to 70	DS1040M-75	75 ns max pulse width
	8-Pin DIP	0 to 70	DS1040M-100	100 ns max pulse width
	8-Pin DIP	0 to 70	DS1040M-150	150 ns max pulse width
	8-Pin DIP	0 to 70	DS1040M-200	200 ns max pulse width
	8-Pin DIP	0 to 70	DS1040M-250	250 ns max pulse width
	8-Pin DIP	0 to 70	DS1040M-500	500 ns max pulse width
	8-Pin DIP	0 to 70	DS1040M-B50	50 ns max pulse width
	8-Pin DIP	0 to 70	DS1040M-D60	60 ns max pulse width
	8-Pin DIP	0 to 70	DS1040M-A15	15 ns max pulse width
	8-Pin DIP	0 to 70	DS1040M-A20	20 ns max pulse width
	8-Pin DIP	0 to 70	DS1040M-A32	32.5 ns max pulse width
	8-Pin DIP	0 to 70	DS1040M-B40	40 ns max pulse width
	8-Pin DIP	0 to 70	DS1040M-D70	70 ns max pulse width

	8-Pin SOIC	0 to 70	DS1040Z-75	75 ns max pulse width
	8-Pin SOIC T&R	0 to 70	DS1040Z-75/T&R	75 ns max pulse width
	8-Pin SOIC	0 to 70	DS1040Z-100	100 ns max pulse width
	8-Pin SOIC	0 to 70	DS1040Z-150	150 ns max pulse width
	8-Pin SOIC	0 to 70	DS1040Z-200	200 ns max pulse width
	8-Pin SOIC	0 to 70	DS1040Z-250	250 ns max pulse width
	8-Pin SOIC	0 to 70	DS1040Z-500	500 ns max pulse width
	8-Pin SOIC	0 to 70	DS1040Z-B50	50 ns max pulse width
	8-Pin SOIC	0 to 70	DS1040Z-D60	60 ns max pulse width
	8-Pin SOIC	0 to 70	DS1040Z-A15	15 ns max pulse width
	8-Pin SOIC	0 to 70	DS1040Z-A20	20 ns max pulse width
	8-Pin SOIC	0 to 70	DS1040Z-A32	32.5 ns max pulse width
	8-Pin SOIC	0 to 70	DS1040Z-B40	40 ns max pulse width
	8-Pin SOIC	0 to 70	DS1040Z-D70	70 ns max pulse width
DS1044	14-Pin DIP	0 to 70	DS1044-xxx	xxx = 5 to 25 ns
	14-Pin SOIC	0 to 70	DS1044R-xxx	xxx = 5 to 25 ns
DS1045	14-Pin SOIC	0 to 70	DS1044R-xxx/T&R	xxx = 5 to 25 ns
	16-Pin DIP	0 to 70	DS1045-2	2 ns Steps
	16-Pin DIP	0 to 70	DS1045-3	3 ns Steps
	16-Pin DIP	0 to 70	DS1045-4	4 ns Steps
	16-Pin DIP	0 to 70	DS1045-5	5 ns Steps
	16-Pin SOIC	0 to 70	DS1045S-2	2 ns Steps
	16-Pin SOIC	0 to 70	DS1045S-3	3 ns Steps
	16-Pin SOIC	0 to 70	DS1045S-4	4 ns Steps
	16-Pin SOIC T&R	0 to 70	DS1045S-4/T&R	4 ns Steps
	16-Pin SOIC	0 to 70	DS1045S-5	5 ns Steps
DS1050M	8-pin DIP	-40 to +85	DS1050M-1	1.000KHz
	8-pin DIP	-40 to +85	DS1050M-10	10.000KHz
	8-pin DIP	-40 to +85	DS1050M-5	5.000KHz
DS1050U	8-pin μ SOP	-40 to +85	DS1050Z-1	1.000KHz
	8-pin μ SOP	-40 to +85	DS1050Z-10	10.000KHz
	8-pin μ SOP	-40 to +85	DS1050Z-5	5.000KHz
DS1065T	3-pin TO-92	0 to 70	DS1065T-100	50.000MHz
	3-pin TO-93	0 to 70	DS1065T-60	30.000MHz
	3-pin TO-94	0 to 70	DS1065T-66	33.333MHz
	3-pin TO-95	0 to 70	DS1065T-80	40.000MHz
DS1073M	8-pin DIP	-40 to +85	DS1073M-100	50.000MHz
	8-pin DIP	-40 to +85	DS1073M-60	30.000MHz
	8-pin DIP	-40 to +85	DS1073M-66	33.333MHz
	8-pin DIP	-40 to +85	DS1073M-80	40.000MHz

DS1073Z	8-pin SOIC	-40 to +85	DS1073Z-100	50.000MHz	
	8-pin SOIC	-40 to +85	DS1073Z-270	2.703 MHz	
	8-pin SOIC	-40 to +85	DS1073Z-357	3.57MHz	
	8-pin SOIC	-40 to +85	DS1073Z-60	30.000MHz	
	8-pin SOIC	-40 to +85	DS1073Z-66	33.333MHz	
	8-pin SOIC	-40 to +85	DS1073Z-701	4.545 MHz	
	8-pin SOIC	-40 to +85	DS1073Z-80	40.000MHz	
	8-pin SOIC	-40 to +85	DS1073Z-901	50.000KHz	
DS1075M	8-Pin DIP	0 to 70	DS1075M-060	30.000MHz	
	8-Pin DIP	-40 to +85	DS1075M-060N	30.000MHz	
	8-Pin DIP	0 to 70	DS1075M-066	33.333MHz	
	8-Pin DIP	-40 to +85	DS1075M-066N	33.333MHz	
	8-Pin DIP	0 to 70	DS1075M-080	40.000MHz	
	8-Pin DIP	-40 to +85	DS1075M-080N	40.000MHz	
	8-Pin DIP	0 to 70	DS1075M-100	50.000KHz	
	PCB KIT	25	DS1075K	Programming Kit	
DS1075Z	8-pin SOIC	-40 to +85	DS1075M-100N	50.000MHz	
	8-pin SOIC	0 to 70	DS1075Z-060	30.000MHz	
	8-pin SOIC	-40 to +85	DS1075Z-060N	30.000MHz	
	8-pin SOIC	0 to 70	DS1075Z-066	33.333MHz	
	8-pin SOIC	-40 to +85	DS1075Z-066N	33.333MHz	
	8-pin SOIC	0 to 70	DS1075Z-080	40.000MHz	
	8-pin SOIC	-40 to +85	DS1075Z-080N	40.000MHz	
	8-pin SOIC	0 to 70	DS1075Z-100	50.000KHz	
	8-pin SOIC	-40 to +85	DS1075Z-100N	50.000KHz	
	8-pin SOIC	0 to 70	DS1075Z-801	80.000MHz	
	8-pin SOIC	0 to 70	DS1075Z-802	40.000KHz	
	8-pin SOIC	0 to 70	DS1075Z-803	22.222 MHz	
	DS1077M	8-pin DIP	0 to 70	DS1077M-100	50.000MHz
		8-pin DIP	0 to 70	DS1077M-120	60.000MHz
8-pin DIP		0 to 70	DS1077M-125	62.500MHz	
8-pin DIP		0 to 70	DS1077M-133	66.666MHz	
8-pin DIP		0 to 70	DS1077M-66	33.333MHz	
DS1077U	8-pin μ SOP	0 to 70	DS1077U-100	50.000MHz	
	8-pin μ SOP	0 to 70	DS1077U-120	60.000MHz	
	8-pin μ SOP	0 to 70	DS1077U-125	62.500MHz	
	8-pin μ SOP	0 to 70	DS1077U-133	66.666MHz	
	8-pin μ SOP	0 to 70	DS1077U-66	33.333MHz	
DS1077Z	8-pin SOIC	0 to 70	DS1077Z-100	50.000MHz	
	8-pin SOIC	0 to 70	DS1077Z-120	60.000MHz	

	8-pin SOIC	0 to 70	DS1077Z-125	62.500MHz
	8-pin SOIC	0 to 70	DS1077Z-133	66.666MHz
	8-pin SOIC	0 to 70	DS1077Z-66	33.333MHz
DS1100	8-Pin DIP	-40 to +85	DS1100M-xxx	xxx = 20 to 300
	8-Pin Micro SOP	-40 to +85	DS1100U-xxx	xxx = 20 to 300
	8-Pin Micro SOP T&R	-40 to +85	DS1100U-xxx/T&R	xxx = 20 to 300
	8-Pin SOIC	-40 to +85	DS1100Z-xxx	xxx = 20 to 300
	8-Pin SOIC T&R	-40 to +85	DS1100Z-xxx/T&R	xxx = 20 to 300
DS1100L	8-Pin Micro SOP	-40 to +85	DS1100LU-xxx	xxx = 20 to 300, 3V
	8-Pin Micro SOP T&R	-40 to +85	DS1100LU-xxx/T&R	xxx = 20 to 300, 3V
	8-Pin SOIC	-40 to +85	DS1100LZ-xxx	xxx = 20 to 300, 3V
	8-Pin SOIC T&R	-40 to +85	DS1100LZ-xxx/T&R	xxx = 20 to 300, 3V
DS1135	8-Pin Micro SOP	-40 to +85	DS1135U-xxx	xxx = 6 to 30
	8-Pin Micro SOP T&R	-40 to +85	DS1135U-xxx/T&R	xxx = 6 to 30
	8-Pin SOIC	-40 to +85	DS1135Z-xxx	xxx = 6 to 30
	8-Pin SOIC T&R	-40 to +85	DS1135Z-xxx/T&R	xxx = 6 to 30
DS1210	8-Pin DIP	0 to 70	DS1210	
	16-Pin SOIC	0 to 70	DS1210S	
	8-Pin DIP	-40 to +85	DS1210N	
DS1211	16-Pin SOIC	-40 to +85	DS1210SN	
	20-Pin DIP	0 to 70	DS1211	
	20-Pin SOIC	0 to 70	DS1211S	
	20-Pin DIP	-40 to +85	DS1211N	
DS1212	20-Pin SOIC	-40 to +85	DS1211SN	
	28-Pin DIP	0 to 70	DS1212	
	28-Pin PLCC	0 to 70	DS1212Q	
	28-Pin DIP	-40 to +85	DS1212N	
	28-Pin PLCC	-40 to +85	DS1212QN	
DS1213B	28-Pin Socket	0 to 70	DS1213B	Holds 2KB/8KB SRAM
DS1213C	28-Pin Socket	0 to 70	DS1213C	Holds 32KB SRAM
DS1213D	32-Pin Socket	0 to 70	DS1213D	Holds 128KB SRAM
DS1216B	28-Pin Socket	0 to 70	DS1216B	16K/64K RAM
DS1216C	28-Pin Socket	0 to 70	DS1216C	64K/256K RAM
DS1216D	32-Pin Socket	0 to 70	DS1216D	256K/1M RAM
	32-Pin Socket	0 to 70	DS1216D-33	256K/1M RAM, 3.3 volt
DS1216E	28-Pin Socket	0 to 70	DS1216E	64K/256K ROM
	28-Pin Socket	0 to 70	DS1216E-3	64K/256K ROM, 3 volt
DS1216F	32-Pin Socket	0 to 70	DS1216F	64K/256K/1M ROM, 5 volt
	32-Pin Socket	0 to 70	DS1216F-3	64K/256K/1M ROM, 3 volt
	32-Pin Socket	0 to 70	DS1216H	4M RAM, 5 volt

DS1216F-3	32-Pin Socket	0 to 70	DS1216H-33	4M RAM, 3.3 volt	
	32-Pin Socket	0 to 70	DS1216F-3	64/256K/1M ROM, 3 volt	
DS1217A	Cartridge	0 to 70	DS1217A 16K-25	16K Bit Density	
	Cartridge	0 to 70	DS1217A 64K-25	64K Bit Density	
DS1217M	Cartridge	0 to 70	DS1217A 128K-25	128K Bit Density	
	Cartridge	0 to 70	DS1217A 192K-25	192K Bit Density	
	Cartridge	0 to 70	DS1217A 256K-25	256K Bit Density	
	Cartridge	0 to 70	DS1217M 512-25	512K Bit Density	
	Cartridge	0 to 70	DS1217M 1-15	1 Megabit Density	
	Cartridge	0 to 70	DS1217M 2-25	2 Megabit Density	
	Cartridge	0 to 70	DS1217M 3-25	3 Megabit Density	
	Cartridge	0 to 70	DS1217M 4-25	4 Megabit Density	
DS1218	8-Pin DIP	0 to 70	DS1218		
DS1220AB/AD	8-Pin SOIC	0 to 70	DS1218S		
	24-Pin Encap. DIP	0 to 70	DS1220AB-200	5% tol. 200 ns	
	24-Pin Encap. DIP	0 to 70	DS1220AB-150	5% tol. 150 ns	
	24-Pin Encap. DIP	0 to 70	DS1220AB-120	5% tol. 120 ns	
	24-Pin Encap. DIP	0 to 70	DS1220AB-100	5% tol. 100 ns	
	24-Pin Encap. DIP	-40 to +85	DS1220AB-200-IND	5% tol. 200 ns	
	24-Pin Encap. DIP	-40 to +85	DS1220AB-100-IND	5% tol. 100 ns	
	24-Pin Encap. DIP	0 to 70	DS1220AD-200	10% tol. 200 ns	
	24-Pin Encap. DIP	0 to 70	DS1220AD-150	10% tol. 150 ns	
	24-Pin Encap. DIP	0 to 70	DS1220AD-120	10% tol. 120 ns	
	24-Pin Encap. DIP	0 to 70	DS1220AD-100	10% tol. 100 ns	
	24-Pin Encap. DIP	-40 to +85	DS1220AD-200-IND	10% tol. 200 ns	
	24-Pin Encap. DIP	-40 to +85	DS1220AD-100-IND	10% tol. 100 ns	
	DS1220Y	24-Pin Encap. DIP	0 to 70	DS1220Y-200	10% tol. 200 ns
		24-Pin Encap. DIP	0 to 70	DS1220Y-150	10% tol. 150 ns
		24-Pin Encap. DIP	0 to 70	DS1220Y-120	10% tol. 120 ns
24-Pin Encap. DIP		0 to 70	DS1220Y-100	10% tol. 100 ns	
24-Pin Encap. DIP		-40 to +85	DS1220Y-200-IND	10% tol. 200 ns	
24-Pin Encap. DIP		-40 to +85	DS1220Y-100-IND	10% tol. 100 ns	
DS1222		14 Pin DIP 300mil	0C to +70C	DS1222	
		14 Pin DIP 300mil	-40C to +85C	DS1222N	
	16 Pin SO 300mil	0C to +70C	DS1222S		
	17 Pin SO 300mil	-40C to +85C	DS1222SN		
DS1225AB/AD	28-Pin Encap. DIP	0 to 70	DS1225AB-200	5% tol. 200 ns	
	28-Pin Encap. DIP	0 to 70	DS1225AB-170	5% tol. 170 ns	
	28-Pin Encap. DIP	0 to 70	DS1225AB-150	5% tol. 150 ns	
	28-Pin Encap. DIP	0 to 70	DS1225AB-85	5% tol. 85 ns	

	28-Pin Encap. DIP	-40 to +85	DS1225AB-200-IND	5% tol. 200 ns
	28-Pin Encap. DIP	-40 to +85	DS1225AB-150-IND	5% tol. 150 ns
	28-Pin Encap. DIP	0 to 70	DS1225AD-200	10% tol. 200 ns
	28-Pin Encap. DIP	0 to 70	DS1225AD-170	10% tol. 170 ns
	28-Pin Encap. DIP	0 to 70	DS1225AD-150	10% tol. 150 ns
	28-Pin Encap. DIP	0 to 70	DS1225AD-85	10% tol. 85 ns
	28-Pin Encap. DIP	-40 to +85	DS1225AD-200-IND	10% tol. 200 ns
	28-Pin Encap. DIP	-40 to +85	DS1225AD-150-IND	10% tol. 150 ns
DS1225Y	28-Pin Encap. DIP	0 to 70	DS1225Y-200	10% tol. 200 ns
	28-Pin Encap. DIP	0 to 70	DS1225Y-170	10% tol. 170 ns
	28-Pin Encap. DIP	0 to 70	DS1225Y-150	10% tol. 150 ns
	28-Pin Encap. DIP	-40 to +85	DS1225Y-200-IND	10% tol. 200 ns
	28-Pin Encap. DIP	-40 to +85	DS1225Y-150-IND	10% tol. 150 ns
DS1230Y/AB	28-Pin Encap. DIP	0 to 70	DS1230AB-200	5% tol. 200 ns
	28-Pin Encap. DIP	0 to 70	DS1230AB-150	5% tol. 150 ns
	28-Pin Encap. DIP	0 to 70	DS1230AB-120	5% tol. 120 ns
	28-Pin Encap. DIP	0 to 70	DS1230AB-100	5% tol. 100 ns
	28-Pin Encap. DIP	0 to 70	DS1230AB-85	5% tol. 85 ns
	28-Pin Encap. DIP	0 to 70	DS1230AB-70	5% tol. 70 ns
	28-Pin Encap. DIP	-40 to +85	DS1230AB-200-IND	5% tol. 200 ns
	28-Pin Encap. DIP	-40 to +85	DS1230AB-120-IND	5% tol. 120 ns
	28-Pin Encap. DIP	-40 to +85	DS1230AB-70-IND	5% tol. 70 ns
	34-Pin PowerCap	0 to 70	DS1230ABP-100	5% tol. 100 ns
	34-Pin PowerCap	0 to 70	DS1230ABP-70	5% tol. 70 ns
	34-Pin PowerCap	-40 to +85	DS1230ABP-70-IND	5% tol. 70 ns
	28-Pin Encap. DIP	0 to 70	DS1230Y-200	10% tol. 200 ns
	28-Pin Encap. DIP	0 to 70	DS1230Y-150	10% tol. 150 ns
	28-Pin Encap. DIP	0 to 70	DS1230Y-120	10% tol. 120 ns
	28-Pin Encap. DIP	0 to 70	DS1230Y-100	10% tol. 100 ns
	28-Pin Encap. DIP	0 to 70	DS1230Y-85	10% tol. 85 ns
	28-Pin Encap. DIP	0 to 70	DS1230Y-70	10% tol. 70 ns
	28-Pin Encap. DIP	-40 to +85	DS1230Y-200-IND	10% tol. 200 ns
	28-Pin Encap. DIP	-40 to +85	DS1230Y-120-IND	10% tol. 120 ns
	28-Pin Encap. DIP	-40 to +85	DS1230Y-70-IND	10% tol. 70 ns
	34-Pin PowerCap	0 to 70	DS1230YP-100	10% tol. 100 ns
	34-Pin PowerCap	0 to 70	DS1230YP-70	10% tol. 70 ns
	34-Pin PowerCap	-40 to +85	DS1230YP-70-IND	10% tol. 70 ns
DS1231	8-Pin DIP	0 to 70	DS1231-20	200 mV Hysteresis
	8-Pin DIP	-40 to +85	DS1231-20N	200 mV Hysteresis
	8-Pin DIP	0 to 70	DS1231-35	350 mV Hysteresis

	8-Pin DIP	-40 to +85	DS1231-35N	350 mV Hysteresis
	8-Pin DIP	0 to 70	DS1231-50	500 mV Hysteresis
	8-Pin DIP	-40 to +85	DS1231-50N	500 mV Hysteresis
	16-Pin SOIC	0 to 70	DS1231S-20	200 mV Hysteresis
	16-Pin SOIC	-40 to +85	DS1231S-20N	200 mV Hysteresis
	16-Pin SOIC	0 to 70	DS1231S-35	350 mV Hysteresis
	16-Pin SOIC	0 to 70	DS1231S-50	500 mV Hysteresis
	16-Pin SOIC	-40 to +85	DS1231S-50N	500 mV Hysteresis
DS1232	8-Pin DIP	0 to 70	DS1232	
	8-Pin DIP	-40 to +85	DS1232N	
	16-Pin SOIC	0 to 70	DS1232S	
DS1232LP	16-Pin SOIC	-40 to +85	DS1232SN	
	8-Pin DIP	0 to 70	DS1232LP	
	8-Pin SOIC	0 to 70	DS1232LPS-2	
	16-Pin SOIC	0 to 70	DS1232LPS	
	8-Pin DIP	-40 to +85	DS1232LPN	
	8-Pin SOIC	-40 to +85	DS1232LPSN-2	
	16-Pin SOIC	-40 to +85	DS1232LPSN	
	μ-SOP	0 to 70	DS1232LPU	
DS1233	FlipChipPkg/T&R	0C to +70C	DS1232LPX/T&R	
	TO-92	-40 to +85	DS1233-5	5V-5% MONITOR
	TO-92	-40 to +85	DS1233-10	5V-10% MONITOR
	TO-92	-40 to +85	DS1233-15	5V-15% MONITOR
	SOT-223	-40 to +85	DS1233Z-5	5V-5% MONITOR
	SOT-223	-40 to +85	DS1233Z-10	5V-10% MONITOR
	SOT-223	-40 to +85	DS1233Z-15	5V-15% MONITOR
DS1233A	TO-92	-40 to +85	DS1233A-10	3.3V-10% MONITOR
	TO-92	-40 to +85	DS1233A-15	3.3V-15% MONITOR
	SOT-223	-40 to +85	DS1233AZ-10	3.3V-10% MONITOR
	SOT-223	-40 to +85	DS1233AZ-15	3.3V-15% MONITOR
DS1233D	TO-92	-40 to +85	DS1233D-5	5V-5% MONITOR
	TO-92	-40 to +85	DS1233D-10	5V-10% MONITOR
	TO-92	-40 to +85	DS1233D-15	5V-15% MONITOR
	SOT-223	-40 to +85	DS1233DZ-5	5V-5% MONITOR
	SOT-223	-40 to +85	DS1233DZ-10	5V-10% MONITOR
	SOT-223	-40 to +85	DS1233DZ-15	5V-15% MONITOR
DS1233M	TO-92	-40 to +85	DS1233M-55	5V-5% MONITOR
	TO-92	-40 to +85	DS1233M-5	5V-10% MONITOR
	TO-92	-40 to +85	DS1233M-3	3.3V-15% MONITOR
	8-Pin SOIC	-40 to +85	DS1233MS-55	5V-5% MONITOR

DS1236	8-Pin SOIC	-40 to +85	DS1233MS-5	5V-10% MONITOR
	8-Pin SOIC	-40 to +85	DS1233MS-3	3.3V-15% MONITOR
	16-Pin DIP	0 to 70	DS1236-10	5V-10% MONITOR
	16-Pin DIP	0 to 70	DS1236-5	5V-5% MONITOR
	16-Pin DIP	-40 to +85	DS1236N-10	5V-10% MONITOR
	16-Pin DIP	-40 to +85	DS1236N-5	5V-5% MONITOR
	16-Pin SOIC	0 to 70	DS1236S-10	5V-10% MONITOR
	16-Pin SOIC	0 to 70	DS1236S-5	5V-5% MONITOR
DS1236A	16-Pin SOIC	-40 to +85	DS1236S-10N	5V-10% MONITOR
	16-Pin SOIC	-40 to +85	DS1236S-5N	5V-5% MONITOR
	16-Pin DIP	0 to 70	DS1236A-10	5V-10% MONITOR
	16-Pin DIP	0 to 70	DS1236A-5	5V-5% MONITOR
	16-Pin DIP	-40 to +85	DS1236A-10N	5V-10% MONITOR
	16-Pin DIP	-40 to +85	DS1236A-5N	5V-5% MONITOR
	16-Pin SOIC	0 to 70	DS1236AS-10	5V-10% MONITOR
	16-Pin SOIC	0 to 70	DS1236AS-5	5V-5% MONITOR
DS1238	16-Pin SOIC	-40 to +85	DS1236AS-10N	5V-10% MONITOR
	16-Pin SOIC	-40 to +85	DS1236AS-5N	5V-5% MONITOR
	16-Pin DIP	0 to 70	DS1238-10	5V-10% MONITOR
	16-Pin DIP	0 to 70	DS1238-5	5V-5% MONITOR
	16-Pin DIP	-40 to +85	DS1238-10N	5V-10% MONITOR
	16-Pin SOIC	0 to 70	DS1238S-10	5V-10% MONITOR
	16-Pin SOIC	0 to 70	DS1238S-5	5V-5% MONITOR
	16-Pin SOIC	0 to 70	DS1238AS-10	5V-10% MONITOR
DS1238A	16-Pin DIP	0 to 70	DS1238A-10	5V-10% MONITOR
	16-Pin DIP	0 to 70	DS1238A-5	5V-5% MONITOR
	16-Pin SOIC	0 to 70	DS1238AS-10	5V-10% MONITOR
	16-Pin SOIC	0 to 70	DS1238AS-5	5V-5% MONITOR
	16-Pin DIP	-40 to +85	DS1238A-10N	5V-10% MONITOR
	16-Pin DIP	0 to 70	DS1239-10	5V-10% MONITOR
	16-Pin DIP	0 to 70	DS1239-5	5V-5% MONITOR
	16-Pin SOIC	0 to 70	DS1239S-10	5V-10% MONITOR
DS1239	16-Pin SOIC	0 to 70	DS1239S-5	5V-5% MONITOR
	16-Pin SOIC	-40 to +85	DS1239S-5	5V-5% MONITOR
	28-Pin Encap. DIP	0 to 70	DS1243Y	200 ns
	28-Pin Encap. DIP	0 to 70	DS1243Y-120	120 ns
	28-Pin Encap. DIP	0 to 70	DS1243Y-150	150 ns
	28-Pin Encap. DIP	0 to 70	DS1244W-120	3.3 volt, 120 ns
	28-Pin Encap. DIP	0 to 70	DS1244W-150	3.3 volt, 150 ns
	28-Pin Encap. DIP	0 to 70	DS1244WP-150	3.3 volt, 120 ns
DS1244	28-Pin Encap. DIP	0 to 70	DS1244WP-121	3.3 volt, 150 ns

	28-Pin Encap. DIP	0 to 70	DS1244Y	5 volt, 200 ns
	28-Pin Encap. DIP	0 to 70	DS1244Y-100	5 volt, 100 ns
	28-Pin Encap. DIP	0 to 70	DS1244Y-120	5 volt, 120 ns
	28-Pin Encap. DIP	0 to 70	DS1244Y-150	5 volt, 150 ns
	28-Pin Encap. DIP	0 to 70	DS1244Y-70	5 volt, 70 ns
	34-Pin PowerCap	0 to 70	DS1244YP-100	5 volt, 100 ns
	34-Pin PowerCap	0 to 70	DS1244YP-70	5 volt, 70 ns
DS1245Y/AB	32-Pin Encap. DIP	0 to 70	DS1245AB-120	5% tol. 120 ns
	32-Pin Encap. DIP	0 to 70	DS1245AB-100	5% tol. 100 ns
	32-Pin Encap. DIP	0 to 70	DS1245AB-85	5% tol. 85 ns
	32-Pin Encap. DIP	0 to 70	DS1245AB-70	5% tol. 70 ns
	32-Pin Encap. DIP	-40 to +85	DS1245AB-120-IND	5% tol. 120 ns
	32-Pin Encap. DIP	-40 to +85	DS1245AB-70-IND	5% tol. 70 ns
	34-Pin PowerCap	0 to 70	DS1245ABP-100	5% tol. 100 ns
	34-Pin PowerCap	0 to 70	DS1245ABP-70	5% tol. 70 ns
	34-Pin PowerCap	-40 to +85	DS1245ABP-70-IND	5% tol. 70 ns
	32-Pin Encap. DIP	0 to 70	DS1245Y-120	10% tol. 120 ns
	32-Pin Encap. DIP	0 to 70	DS1245Y-100	10% tol. 100 ns
	32-Pin Encap. DIP	0 to 70	DS1245Y-85	10% tol. 85 ns
	32-Pin Encap. DIP	0 to 70	DS1245Y-70	10% tol. 70 ns
	32-Pin Encap. DIP	-40 to +85	DS1245Y-120-IND	10% tol. 120 ns
	32-Pin Encap. DIP	-40 to +85	DS1245Y-70-IND	10% tol. 70 ns
	34-Pin PowerCap	0 to 70	DS1245YP-100	10% tol. 100 ns
	34-Pin PowerCap	0 to 70	DS1245YP-70	10% tol. 70 ns
	34-Pin PowerCap	-40 to +85	DS1245YP-70-IND	10% tol. 70 ns
DS1248	32-Pin Encap. DIP	0 to 70	DS1248W-120	3.3 volt, 120 ns
	32-Pin Encap. DIP	0 to 70	DS1248W-150	3.3 volt, 150 ns
	34-Pin PowerCap	0 to 70	DS1248WP-120	3.3 volt 120 ns
	34-Pin PowerCap	0 to 70	DS1248WP-150	3.3 volt, 150 ns
	32-Pin Encap. DIP	0 to 70	DS1248Y-100	5 volt, 100 ns
	32-Pin Encap. DIP	0 to 70	DS1248Y-120	5 volt, 120 ns
	32-Pin Encap. DIP	0 to 70	DS1248Y-150	5 volt, 150 ns
	32-Pin Encap. DIP	0 to 70	DS1248Y-200	5 volt, 200 ns
	32-Pin Encap. DIP	0 to 70	DS1248Y-70	5 volt, 70 ns
	34-Pin PowerCap	0 to 70	DS1248YP-100	5 volt, 100 ns
	34-Pin PowerCap	0 to 70	DS1248YP-70	5 volt, 70 ns
DS1249Y/AB	32-Pin Encap. Dip	0 to 70	DS1249AB-100	5% tol. 100 ns
	32-Pin Encap. Dip	0 to 70	DS1249AB-70	5% tol. 70 ns
	32-Pin Encap. Dip	-40 to +85	DS1249AB-70-IND	5% tol. 70 ns
	32-Pin Encap. DIP	0 to 70	DS1249Y-100	10% tol. 100 ns

	32-Pin Encap. DIP	0 to 70	DS1249Y-70	10% tol. 70 ns
	32-Pin Encap. DIP	-40 to +85	DS1249Y-70-IND	10% tol. 70 ns
DS1249W	32-Pin Encap. Dip	0 to 70	DS1249W-100	3.3V 100 ns
	32-Pin Encap. Dip	0 to 70	DS1249W-150	3.3V 150 ns
DS1250Y/AB	32-Pin Encap. DIP	0 to 70	DS1250AB-100	5% tol. 100 ns
	32-Pin Encap. DIP	0 to 70	DS1250AB-70	5% tol. 70 ns
	32-Pin Encap. DIP	-40 to +85	DS1250AB-70-IND	5% tol. 70 ns
	34-Pin PowerCap	0 to 70	DS1250ABP-100	5% tol. 100 ns
	34-Pin PowerCap	0 to 70	DS1250ABP-70	5% tol. 70 ns
	34-Pin PowerCap	-40 to +85	DS1250ABP-70-IND	5% tol. 70 ns
	32-Pin Encap. DIP	0 to 70	DS1250Y-100	10% tol. 100 ns
	32-Pin Encap. DIP	0 to 70	DS1250Y-70	10% tol. 70 ns
	32-Pin Encap. DIP	-40 to +85	DS1250Y-70-IND	10% tol. 70 ns
	34-Pin PowerCap	0 to 70	DS1250YP-100	10% tol. 100 ns
	34-Pin PowerCap	0 to 70	DS1250YP-70	10% tol. 70 ns
	34-Pin PowerCap	-40 to +85	DS1250YP-70-IND	10% tol. 70 ns
DS1250W	32-Pin Encap DIP	0 to 70	DS1250W-100	3.3V 100 ns
	32-Pin Encap DIP	0 to 70	DS1250W-150	3.3V 150 ns
	34-Pin PowerCap	0 to 70	DS1250WP-100	3.3V 100 ns
	34-Pin PowerCap	0 to 70	DS1250WP-150	3.3V 150 ns
DS1251	32-Pin Encap. DIP	0 to 70	DS1251W-120	3.3 volt, 120 ns
	32-Pin Encap. DIP	0 to 70	DS1251W-150	3.3 volt, 150 ns
	34-Pin PowerCap	0 to 70	DS1251WP-120	3.3 volt, 120 ns
	34-Pin PowerCap	0 to 70	DS1251WP-150	3.3 volt, 150 ns
	32-Pin Encap. DIP	0 to 70	DS1251Y-100	5 volt, 100 ns
	32-Pin Encap. DIP	0 to 70	DS1251Y-120	5 volt, 120 ns
	32-Pin Encap. DIP	0 to 70	DS1251Y-150	5 volt, 150 ns
	32-Pin Encap. DIP	0 to 70	DS1251Y-70	5 volt, 70 ns
	34-Pin PowerCap	0 to 70	DS1251YP-100	5 volt, 100 ns
	34-Pin PowerCap	0 to 70	DS1251YP-70	5 volt, 70 ns
DS1254YB	BGA Module	0 to 70	DS1254YB-100	
DS1258Y/AB	40-Pin Encap. DIP	0 to 70	DS1258AB-100	5% tol. 100 ns
	40-Pin Encap. DIP	0 to 70	DS1258AB-70	5% tol. 70 ns
	40-Pin Encap. DIP	0 to 70	DS1258Y-100	10% tol. 100 ns
	40-Pin Encap. DIP	0 to 70	DS1258Y-70	10% tol. 70 ns
DS1258Y/AB	40-Pin Encap. DIP	0 to 70	DS1258AB-100	5% tol. 100 ns
	40-Pin Encap. DIP	0 to 70	DS1258AB-70	5% tol. 70 ns
	40-Pin Encap. DIP	0 to 70	DS1258Y-100	10% tol. 100 ns
	40-Pin Encap. DIP	0 to 70	DS1258Y-70	10% tol. 70 ns
DS1258W	40-Pin Encap. DIP	0 to 70	DS1258W-100	3.3V 100 ns

DS1259	40-Pin Encap. DIP	0 to 70	DS1258W-150	3.3V 150 ns	
	16-Pin DIP	0 to 70	DS1259		
	16-Pin DIP	-40 to +85	DS1259I		
	16-Pin SOIC	0 to 70	DS1259S		
DS1260	16-Pin SOIC	-40 to +85	DS1259SN		
	Module	0 to 70	DS1260-25	250 mAh	
	Module	0 to 70	DS1260-50	500 mAh	
DS1265Y/AB	Module	0 to 70	DS1260-100	1000 mAh	
	36-Pin Encap. DIP	0 to 70	DS1265AB-100	5% tol. 100 ns	
	36-Pin Encap. DIP	0 to 70	DS1265AB-70	5% tol. 70 ns	
	36-Pin Encap. DIP	-40 to +85	DS1265AB-70-IND	5% tol. 70 ns	
	36-Pin Encap. DIP	0 to 70	DS1265Y-100	10% tol. 100 ns	
	36-Pin Encap. DIP	0 to 70	DS1265Y-70	10% tol. 70 ns	
DS1265W	36-Pin Encap. DIP	-40 to +85	DS1265Y-70-IND	10% tol. 70 ns	
	36-Pin Encap. DIP	0 to 70	DS1265W-100	3.3V 100 ns	
	36-Pin Encap. DIP	0 to 70	DS1265W-150	3.3V 150 ns	
DS1267	14-Pin DIP	0 to 70	DS1267-010	10K ohms	
	14-Pin DIP	0 to 70	DS1267-050	50K ohms	
	14-Pin DIP	0 to 70	DS1267-100	100K ohms	
	14-Pin DIP	-40 to +85	DS1267N-010	10K ohms	
	14-Pin DIP	-40 to +85	DS1267N-050	50K ohms	
	14-Pin DIP	-40 to +85	DS1267N-100	100K ohms	
	16-Pin SOIC	0 to 70	DS1267S-010	10K ohms	
	16-Pin SOIC	0 to 70	DS1267S-050	50K ohms	
	16-Pin SOIC	0 to 70	DS1267S-100	100K ohms	
	16-Pin SOIC	-40 to +85	DS1267SN-010	10K ohms	
	16-Pin SOIC	-40 to +85	DS1267SN-050	50K ohms	
	16-Pin SOIC	-40 to +85	DS1267SN-100	100K ohms	
	20-Pin TSSOP	0 to 70	DS1267E-010	10K ohms	
	20-Pin TSSOP	0 to 70	DS1267E-050	50K ohms	
	20-Pin TSSOP	0 to 70	DS1267E-100	100K ohms	
	20-pin TSSOP	-40 to +85	DS1267EN-010	10K ohms	
	20-pin TSSOP	-40 to +85	DS1267EN-050	50K ohms	
	20-pin TSSOP	-40 to +85	DS1267EN-100	100K ohms	
	DS1270Y/AB	36-Pin Encap. DIP	0 to 70	DS1270AB-100	5% tol. 100 ns
		36-Pin Encap. DIP	0 to 70	DS1270AB-70	5% tol. 70 ns
36-Pin Encap. DIP		-40 to +85	DS1270AB-70-IND	5% tol. 70 ns	
36-Pin Encap. DIP		0 to 70	DS1270Y-100	10% tol. 100 ns	
36-Pin Encap. DIP		0 to 70	DS1270Y-70	10% tol. 70 ns	
36-Pin Encap. DIP		-40 to +85	DS1270Y-70-IND	10% tol. 70 ns	

DS1270W	36-Pin Encap. DIP	0 to 70	DS1270W-100	3.3V 100 ns
	36-Pin Encap. DIP	0 to 70	DS1270W-150	3.3V 150 ns
DS1280	44-Pin Flat Pack	0 to 70	DS1280T-Q44	
DS1284	28-Pin DIP	0 to 70	DS1284	
	28-Pin DIP	-40 to +85	DS1284N	
	28-Pin PLCC	0 to 70	DS1284Q	
	28-Pin PLCC	-40 to +85	DS1284QN	
DS1286	28-Pin Encap. DIP	0 to 70	DS1286	
DS12885	24-Pin DIP	0 to 70	DS12885	
	24-Pin DIP	-40 to +85	DS12885N	
	24-Pin SOIC	0 to 70	DS12885S	
	24-Pin SOIC	-40 to +85	DS12885SN	
	28-Pin PLCC	0 to 70	DS12885Q	
	28-Pin PLCC	-40 to +85	DS12885QN	
	32-Pin TQFP	0 to 70	DS12885T	
	32-Pin TQFP	-40 to +85	DS12885TN	
DS12887	24-Pin Encap. DIP	0 to 70	DS12887	
DS12887A	24-Pin Encap. DIP	0 to 70	DS12887A	
DS12C887	24-Pin Encap. DIP	0 to 70	DS12C887	
DS12C887A	24-Pin Encap. DIP	0 to 70	DS12C887A	
	16-Pin DIP	0 to 70	DS1291	
	24-Pin Encap. DIP	0 to 70	DS1292	
	24-Pin DIP	0 to 70	DS1293	
DS1302	8-Pin DIP	0 to 70	DS1302	
	8-Pin DIP	-40 to +85	DS1302N	
	8-Pin SOIC	0 to 70	DS1302S	
	16-Pin SOIC	0 to 70	DS1302S-16	
	8-Pin SOIC	-40 to +85	DS1302SN	
	16-Pin SOIC	-40 to +85	DS1302SN-16	
	8-Pin SOIC	0 to 70	DS1302Z	
	8-Pin SOIC	-40 to +85	DS1302ZN	
DS1305	16-Pin DIP	0 to 70	DS1305	
	16-Pin DIP	-40 to +85	DS1305N	
	20-Pin TSSOP	0 to 70	DS1305E	
	20-Pin TSSOP	-40 to +85	DS1305EN	
DS1306	16-Pin DIP	0 to 70	DS1306	
	20-Pin TSSOP	0 to 70	DS1306E	
	20-Pin TSSOP	-40 to +85	DS1306EN	
	16-Pin DIP	-40 to +85	DS1306N	

DS1307	8-Pin DIP	0 to 70	DS1307		
	8-Pin DIP	-45 to +85	DS1307N		
	8-Pin SOIC	0 to 70	DS1307Z		
	8-Pin SOIC	-40 to +85	DS1307ZN		
DS1312	8-Pin DIP	-40 to +85	DS1312		
	8-Pin SOIC	-40 to +85	DS1312S-2		
	16-Pin SOIC	-40 to +85	DS1312S		
	20-Pin TSSOP	-40 to +85	DS1312E		
DS1312D	8-Pin DIP	-40 to +85	DS1312D		
	16-Pin SOIC	-40 to +85	DS1312DS		
	8-Pin SOIC	-40 to +85	DS1312DS-2		
	μ-SOP	-40 to +85	DS1312DU		
DS1314	8-Pin DIP	-40 to +85	DS1314		
	8-Pin SOIC	-40 to +85	DS1314S-2		
	16-Pin SOIC	-40 to +85	DS1314S		
	20-Pin TSSOP	-40 to +85	DS1314E		
DS1314D	8-Pin DIP	-40 to +85	DS1314D		
	8-Pin SOIC	-40 to +85	DS1314DS		
DS1315	μ-SOP	-40 to +85	DS1314DU		
	16-Pin DIP	0 to 70	DS1315-33	3.3 volt	
	16-Pin DIP	0 to 70	DS1315-5	5 volt	
	16-Pin DIP	-40 to +85	DS1315N-33	3.3 volt	
	16-Pin DIP	-40 to +85	DS1315N-5	5 volt	
	16-Pin SOIC	0 to 70	DS1315S-33	3.3 volt	
	16-Pin SOIC	0 to 70	DS1315S-5	5 volt	
	16-Pin SOIC	-40 to +85	DS1315SN-33	3.3 volt	
	16-Pin SOIC	-40 to +85	DS1315SN-5	5 volt	
	16-Pin TSSOP	0 to 70	DS1315E-33	3.3 volt	
	16-Pin TSSOP	0 to 70	DS1315E-5	5 volt	
	16-Pin TSSOP	-40 to +85	DS1315EN-33	3.3 volt	
	16-Pin TSSOP	-40 to +85	DS1315EN-5	5 volt	
	DS1321	16 Pin DIP	-40 to +85	DS1321	
		20 Pin TSSOP	-40 to +85	DS1321E	
		16-Pin TSSOP	-40 to +85	DS1321S	
DS1330Y/AB	34-Pin PowerCap	0 to 70	DS1330ABP-100	5% tol. 100 ns	
	34-Pin PowerCap	0 to 70	DS1330ABP-70	5% tol. 70 ns	
	34-Pin PowerCap	-40 to +85	DS1330ABP-70-IND	5% tol. 70 ns	
	34-Pin PowerCap	0 to 70	DS1330YP-100	10% tol. 100 ns	
	34-Pin PowerCap	0 to 70	DS1330YP-70	10% tol. 70 ns	
	34-Pin PowerCap	-40 to +85	DS1330YP-70-IND	10% tol. 70 ns	

DS1330W	34-Pin PowerCap	0 to 70	DS1330WP-100	3.3V 100 ns
	34-Pin PowerCap	0 to 70	DS1330WP-150	3.3V 150 ns
DS1336	16-Pin DIP	0 to 70	DS1336	
	16-Pin DIP	-40 to +85	DS1336N	
	16-Pin SOIC	0 to 70	DS1336S	
	16-Pin SOIC	-40 to +85	DS1336SN	
DS1345W	34-Pin PowerCap	0 to 70	DS1345WP-100	3.3V 100 ns
	34-Pin PowerCap	0 to 70	DS1345WP-150	3.3V 150 ns
DS1350W	34-Pin PowerCap	0 to 70	DS1350WP-100	3.3V 100 ns
	34-Pin PowerCap	0 to 70	DS1350WP-150	3.3V 150 ns
DS1350Y/AB	34-Pin PowerCap	0 to 70	DS1350ABP-100	5% tol. 100 ns
	34-Pin PowerCap	0 to 70	DS1350ABP-70	5% tol. 70 ns
	34-Pin PowerCap	-40 to +85	DS1350ABP-70-IND	5% tol. 70 ns
	34-Pin PowerCap	0 to 70	DS1350YP-100	10% tol. 100 ns
	34-Pin PowerCap	0 to 70	DS1350YP-70	10% tol. 70 ns
	34-Pin PowerCap	-40 to +85	DS1350YP-70-IND	10% tol. 70 ns
DS1384	44-Pin QFP	0 to 70	DS1384FP-120	50 x 8 RAM; 120 ns
DS1386	32-Pin Encap. DIP	0 to 70	DS1386-8-120	8K x 8 RAM; 120 ns
	32-Pin Encap. DIP	0 to 70	DS1386-8-150	8K x 8 RAM; 150 ns
	34-Pin PowerCap	0 to 70	DS1386P-8-120	120 ns
	34-Pin PowerCap	0 to 70	DS1386P-8-150	150 ns
	32-Pin Encap. DIP	0 to 70	DS1386-32-120	32K x 8 RAM; 120 ns
	32-Pin Encap. DIP	0 to 70	DS1386-32-150	32K x 8 RAM; 150 ns
	34-Pin PowerCap	0 to 70	DS1386P-32-120	120 ns
	34-Pin PowerCap	0 to 70	DS1386P-32-150	150 ns
DS1401			DS1401-04	4 Ports
DS1402	Cable		DS1402-BB3	Two Buttons, 0.9m (3 feet)
	Cable		DS1402-BB8	Two Buttons, 2.4m (8 feet)
	Cable		DS1402-BP3	Button/Probe, 0.9m (3 feet)
	Cable		DS1402-BP8	Button/Probe, 2.4m (8 feet)
	Cable		DS1402-BR8	Button/RJ-11, 2.4m (8 feet)
	Cable		DS1402D-DB8	Two Blue Dots/Button, 2.4m (8 feet)
	Cable		DS1402D-DR8	Two Blue Dots/RJ-11, 2.4m (8 feet)
	Cable		DS1402-RP3	RJ-11/Probe, 0.9m (3 feet)
	Cable		DS1402-RP8	RJ-11/Probe, 2.4m (8 feet)

DS1404	Cable		DS1402-RR8	Two RJ-11, 2.4m (8 feet)
DS1410D	Adapter	0 to 70	DS1404	Black
DS1410E	Adapter	0 to 70	DS1410D	Button Holder/Parallel
DS1411	DB-9	0 to 70	DS1410E	iButton Holder/Parallel Port w/EPP
DS1411	DB-9	0 to 70	DS1411	Button Holder/Serial, Active
DS1411	DB-9	0 to 70	DS1411-S09	iButton Holder/Serial, Active, no
DS1413	DB-9	0 to 70	DS1413	Button Holder/Serial, Passive
DS1425	iButton	0 to 70	DS1425L-F5	F5 MicroCan
DS1427	iButton	0 to 70	DS1427L-F5	F5 MicroCan
DS14285	24-Pin DIP	0 to 70	DS14285	
	24-Pin DIP	-40 to +85	DS14285N	
	24-Pin SOIC	0 to 70	DS14285S	
	24-Pin SOIC	-40 to +85	DS14285SN	
	28-Pin PLCC	0 to 70	DS14285Q	
	28-Pin PLCC	-40 to +85	DS14285QN	
DS14287	24-Pin Encap. DIP	0 to 70	DS14287	
DS1480	14-Pin SOIC	0 to 70	DS1480S	Regular Speed
	14-Pin SOIC/T&R	0 to 70	DS1480S/T&R	Regular Speed
DS1481	14-Pin SOIC	0 to 70	DS1481S	Regular Speed
	14-Pin SOIC/T&R	0 to 70	DS1481S/T&R	Regular Speed
DS1486	32-Pin Encap. DIP	0 to 70	DS1486-120	128K x 8 RAM; 120 ns
	32-Pin Encap. DIP	0 to 70	DS1486-150	128K x 8 RAM; 150 ns
	34-Pin PowerCap	0 to 70	DS1486P-120	120 ns
	34-Pin PowerCap	0 to 70	DS1486P-150	150 ns
DS1500	32-Pin DIP	0 to 70	DS1500W	3.3 volt
	32-Pin TSOP	0 to 70	DS1500WE	3.3 volt
	32-Pin TSOP	-40 to +85	DS1500WEN	3.3 volt
	32-Pin DIP	-40 to +85	DS1500WN	3.3 volt
	32-Pin DIP	0 to 70	DS1500Y	5 volt
	32-Pin TSOP	0 to 70	DS1500YE	5 volt
	32-Pin TSOP	-40 to +85	DS1500YEN	5 volt
	32-Pin DIP	-40 to +85	DS1500YN	5 volt
DS1501	28-Pin DIP	0 to 70	DS1501Y	5 Volt
	28-Pin DIP	-40 to +85	DS1501YN	5 Volt
	28-Pin TSOP	0 to 70	DS1501YE	5 Volt
	28-Pin TSOP	-40 to +85	DS1501YEN	5 Volt

	28-Pin SOIC	0 to 70	DS1501YS	5 Volt
	28-Pin SOIC	-40 to +85	DS1501YSN	5 Volt
	28-Pin DIP	0 to 70	DS1501W	3.3 Volt
	28-Pin DIP	-40 to +85	DS1501WN	3.3 Volt
	28-Pin TSOP	0 to 70	DS1501WE	3.3 Volt
	28-Pin TSOP	-40 to +85	DS1501WEN	3.3 Volt
	28-Pin SOIC	0 to 70	DS1501WS	3.3 Volt
	28-Pin SOIC	-40 to +85	DS1501WSN	3.3 Volt
DS1510	32-PIN Encap. DIP	0 to 70	DS1510W	3.3 Volt
	32-PIN Encap. DIP	0 to 70	DS1510Y	5 Volt
DS1511	28-PIN Encap. DIP	0 to 70	DS1511Y	5 Volt
	28-PIN Encap. DIP	0 to 70	DS1511W	3.3 Volt
DS1543	28-Pin Encap. DIP	0 to 70	DS1543-70	5 Volt, 70 ns
	28-Pin Encap. DIP	0 to 70	DS1543-100	5 Volt, 100 ns
	34-Pin PowerCap	0 to 70	DS1543P-70	5 Volt, 70 ns
	34-Pin PowerCap	0 to 70	DS1543P-100	5 Volt, 100 ns
	28-Pin Encap. DIP	0 to 70	DS1543W-120	3.3 Volt, 120 ns
	28-Pin Encap. DIP	0 to 70	DS1543W-150	3.3 Volt, 150 ns
	34-Pin PowerCap	0 to 70	DS1543WP-120	3.3 Volt, 120 ns
	34-Pin PowerCap	0 to 70	DS1543WP-150	3.3 Volt, 150 ns
DS1553	28-Pin Encap. DIP	0 to 70	DS1553-70	5 Volt, 70 ns
	28-Pin Encap. DIP	0 to 70	DS1553-100	5 Volt, 100 ns
	34-Pin PowerCap	0 to 70	DS1553P-70	5 Volt, 70 ns
	34-Pin PowerCap	0 to 70	DS1553P-100	5 Volt, 100 ns
	28-Pin Encap. DIP	0 to 70	DS1553W-120	3.3 Volt, 120 ns
	28-Pin Encap. DIP	0 to 70	DS1553W-150	3.3 Volt, 150 ns
	34-Pin PowerCap	0 to 70	DS1553WP-120	3.3 Volt, 120 ns
	34-Pin PowerCap	0 to 70	DS1553WP-150	3.3 Volt, 150 ns
DS1602	8-Pin DIP	-40 to +85	DS1602	
	8-Pin SOIC	-40 to +85	DS1602S	
DS1603	7-Pin Encap. SIP	0 to 70	DS1603	
DS1615	16-Pin DIP	-40 to +85	DS1615	
	16-Pin SOIC	-40 to +85	DS1615S	
DS1616	16-Pin DIP	-40 to +85	DS1616	
	16-Pin SOIC	-40 to +85	DS1616S	
DS1620	8-Pin DIP	-55 to +125	DS1620	
	8-Pin SOIC (208 mil)	-55 to +125	DS1620S	
DS1621	8-Pin DIP	-55 to +125	DS1621	
	8-Pin SOIC	-55 to +125	DS1621S	
	8-Pin SOIC (208 mil)	-55 to +125	DS1621V	

DS1624	8-Pin DIP	-55 to +125	DS1624	
	8-Pin SOIC (208 mil)	-55 to +125	DS1624S	
DS1629	8-Pin SOIC	-55 to +125	DS1629S	
DS1631	8-Pin μ -SOP	-55 to +125	DS1631U	
	8-Pin SOIC	-55 to +125	DS1631Z	
	8-Pin SOIC (208 mil)	-55 to +125	DS1631S	
	8-Pin DIP	-55 to +125	DS1631	
DS1632	16-Pin DIP	0 to 70	DS1632	
	16-Pin SOIC	0 to 70	DS1632S	
DS1640	16-Pin DIP	0 to 70	DS1640	
	16-Pin SOIC	0 to 70	DS1640S	
	16-Pin SOIC	-40 to +85	DS1640SN	
DS1642	24-Pin Encap. DIP	0 to 70	DS1642-120	120 ns
	24-Pin Encap. DIP	0 to 70	DS1642-150	150 ns
DS1643	28-Pin Encap. DIP	0 to 70	DS1643-120	120 ns
	28-Pin Encap. DIP	0 to 70	DS1643-150	150 ns
	34-Pin PowerCap	0 to 70	DS1643P-120	120 ns
	34-Pin PowerCap	0 to 70	DS1643P-150	150 ns
DS1644	28-Pin Encap. DIP	0 to 70	DS1644-120	120 ns
	28-Pin Encap. DIP	0 to 70	DS1644-150	150 ns
	34-Pin PowerCap	0 to 70	DS1644P-120	120 ns
	34-Pin PowerCap	0 to 70	DS1644P-150	150 ns
DS1646	32-Pin Encap. DIP	0 to 70	DS1646-120	120 ns
	32-Pin Encap. DIP	0 to 70	DS1646-150	150 ns
	34-Pin PowerCap	0 to 70	DS1646P-120	120 ns
	34-Pin PowerCap	0 to 70	DS1646P-150	150 ns
DS1647	32-Pin Encap. DIP	0 to 70	DS1647-150	150 ns
	32-Pin Encap. DIP	0 to 70	DS1647-120	120 ns
	34-Pin PowerCap	0 to 70	DS1647P-120	120 ns
	34-Pin PowerCap	0 to 70	DS1647P-150	150 ns
DS1666	14-Pin DIP	-40 to +85	DS1666-010	10K ohms
	14-Pin DIP	-40 to +85	DS1666-050	50K ohms
	14-Pin DIP	-40 to +85	DS1666-100	100K ohms
	16-Pin SOIC	-40 to +85	DS1666S-010	10K ohms
	16-Pin SOIC	-40 to +85	DS1666S-050	50K ohms
	16-Pin SOIC	-40 to +85	DS1666S-100	100K ohms
DS1667	20-Pin DIP	0 to 70	DS1667-010	10K ohms
	20-Pin DIP	0 to 70	DS1667-050	50K ohms
	20-Pin DIP	0 to 70	DS1667-100	100K ohms
	20-Pin DIP	-40 to +85	DS1667N-010	10K ohms

	20-Pin DIP	-40 to +85	DS1667N-050	50K ohms
	20-Pin DIP	-40 to +85	DS1667N-100	100K ohms
	20-Pin SOIC	0 to 70	DS1667S-010	10K ohms
	20-Pin SOIC	0 to 70	DS1667S-050	50K ohms
	20-Pin SOIC	0 to 70	DS1667S-100	100K ohms
	20-Pin SOIC	-40 to +85	DS1667SN-010	10K ohms
	20-Pin SOIC	-40 to +85	DS1667SN-050	50K ohms
	20-Pin SOIC	-40 to +85	DS1667SN-100	100K ohms
DS1669	8-Pin DIP	0 to 70	DS1669-010	10K ohms
	8-Pin DIP	0 to 70	DS1669-050	50K ohms
	8-Pin DIP	0 to 70	DS1669-100	100K ohms
	8-Pin DIP	-40 to +85	DS1669N-010	10K ohms
	8-Pin DIP	-40 to +85	DS1669N-050	50K ohms
	8-Pin DIP	-40 to +85	DS1669N-100	100K ohms
	8-Pin SOIC	0 to 70	DS1669S-010	10K ohms
	8-Pin SOIC	0 to 70	DS1669S-050	50K ohms
	8-Pin SOIC	0 to 70	DS1669S-100	100K ohms
	8-Pin SOIC	-40 to +85	DS1669SN-010	10K ohms
	8-Pin SOIC	-40 to +85	DS1669SN-050	50K ohms
	8-Pin SOIC	-40 to +85	DS1669SN-100	100K ohms
DS1670	20-Pin SOIC	0 to 70	DS1670S	
	20-Pin TSSOP	0 to 70	DS1670E	
DS1672	8-Pin DIP	0 to 70	DS1672-2	2 volt
	8-Pin DIP	0 to 70	DS1672-3	3 volt
	8-Pin SOIC	0 to 70	DS1672S-2	2 volt
	8-Pin SOIC	0 to 70	DS1672S-3	3 volt
	8-Pin uSOP	0 to 70	DS1672U-2	2 volt
	8-Pin uSOP	0 to 70	DS1672U-3	3 volt
DS1673	20-Pin SOIC	0 to 70	DS1763S-3	3 volt
	20-Pin SOIC	0 to 70	DS1763S-5	5 volt
	20-Pin TSSOP	0 to 70	DS1763E-3	3 volt
	20-Pin TSSOP	0 to 70	DS1763E-5	5 volt
DS1677	20-Pin TSSOP	0 to 70	DS1677E	
DS1678	8-Pin DIP	-40 to +85	DS1678	
	8-Pin SOIC	-40 to +85	DS1678S	
DS1682	8-Pin SOIC	-40 to +85	DS1682S	
	6-Pin Flip Chip Bump	-40 to +85	DS1682X	
DS1685	24-Pin DIP	0 to 70	DS1685-3	3 volt
	24-Pin DIP	0 to 70	DS1685-5	5 volt
	24-Pin TSSOP	0 to 70	DS1685E-3	3 volt

	24-Pin TSSOP	0 to 70	DS1685E-5	5 volt
	24-Pin TSSOP	-40 to +85	DS1685EN-3	3 volt
	24-Pin TSSOP	-40 to +85	DS1685EN-5	5 volt
	24-Pin DIP	-40 to +85	DS1685N-3	3 volt
	24-Pin DIP	-40 to +85	DS1685N-5	5 volt
	28-Pin PLCC	0 to 70	DS1685Q-3	3 volt
	28-Pin PLCC	0 to 70	DS1685Q-5	5 volt
	28-Pin PLCC	-40 to +85	DS1685QN-3	3 volt
	28-Pin PLCC	-40 to +85	DS1685QN-5	5 volt
	24-Pin SOIC	0 to 70	DS1685S-3	3 volt
	24-Pin SOIC	0 to 70	DS1685S-5	5 volt
	24-Pin SOIC	-40 to +85	DS1685SN-3	3 volt
	24-Pin SOIC	-40 to +85	DS1685SN-5	5 volt
DS1687	24-Pin Encap. DIP	0 to 70	DS1687-3	3 volt
	24-Pin Encap. DIP	0 to 70	DS1687-5	5 volt
DS1688	28-Pin DIP	0 to 70	DS1688	
	28-Pin SOIC	0 to 70	DS1688S	
DS1689	28-Pin DIP	0 to 70	DS1689	114 x 8 RAM
	28-Pin SOIC	0 to 70	DS1689S	114 x 8 RAM
DS1691	28-Pin Encap. DIP	0 to 70	DS1691	
DS1693	28-Pin Encap. DIP	0 to 70	DS1693	114 x 8 RAM
DS1705/06	8-Pin DIP	-40 to +85	DS1705EPA	5V-5% MONITOR
	8-Pin SOIC	-40 to +85	DS1705ESA	5V-5% MONITOR
	μ-SOP	-40 to +85	DS1705EUA	5V-5% MONITOR
	8-Pin DIP	-40 to +85	DS1706EPA	5V-10% MONITOR
	8-Pin SOIC	-40 to +85	DS1706ESA	5V-10% MONITOR
	μ-SOP	-40 to +85	DS1706EUA	5V-10% MONITOR
	8-Pin DIP	-40 to +85	DS1706LEPA	5V-5% MONITOR
	8-Pin SOIC	-40 to +85	DS1706LESA	5V-5% MONITOR
	μ-SOP	-40 to +85	DS1706LEUA	5V-5% MONITOR
	8-Pin DIP	-40 to +85	DS1706PEPA	3.3V-20% MONITOR
	8-Pin SOIC	-40 to +85	DS1706PESA	3.3V-20% MONITOR
	μ-SOP	-40 to +85	DS1706PEUA	3.3V-20% MONITOR
	8-Pin DIP	-40 to +85	DS1706REPA	3.3V-20% MONITOR
	8-Pin SOIC	-40 to +85	DS1706RESA	3.3V-20% MONITOR
	μ-SOP	-40 to +85	DS1706REUA	3.3V-20% MONITOR
	8-Pin DIP	-40 to +85	DS1706SEPA	3.3V-10% MONITOR
	8-Pin SOIC	-40 to +85	DS1706SESA	3.3V-10% MONITOR
	μ-SOP	-40 to +85	DS1706SEUA	3.3V-10% MONITOR
	8-Pin SOIC	-40 to +85	DS1706SESA	3.3V-10% MONITOR

DS1707/08	8-Pin DIP	-40 to +85	DS1706TEPA	3.3V-5% MONITOR	
	8-Pin SOIC	-40 to +85	DS1706TESA	3.3V-5% MONITOR	
	μ-SOP	-40 to +85	DS1706TEUA	3.3V-5% MONITOR	
	8-Pin DIP	-40 to +85	DS1707EPA	5V-5% MONITOR	
	8-Pin SOIC	-40 to +85	DS1707ESA	5V-5% MONITOR	
	μ-SOP	-40 to +85	DS1707EUA	5V-5% MONITOR	
	8-Pin DIP	-40 to +85	DS1708EPA	5V-10% MONITOR	
	8-Pin SOIC	-40 to +85	DS1708ESA	5V-10% MONITOR	
	μ-SOP	-40 to +85	DS1708EUA	5V-10% MONITOR	
	8-Pin DIP	-40 to +85	DS1708REPA	3.3V-20% MONITOR	
	8-Pin SOIC	-40 to +85	DS1708RESA	3.3V-20% MONITOR	
	μ-SOP	-40 to +85	DS1708REUA	3.3V-20% MONITOR	
	8-Pin DIP	-40 to +85	DS1708SEPA	3.3V-10% MONITOR	
	8-Pin SOIC	-40 to +85	DS1708SESA	3.3V-10% MONITOR	
	μ-SOP	-40 to +85	DS1708SEUA	3.3V-10% MONITOR	
8-Pin DIP	-40 to +85	DS1708TEPA	3.3V-5% MONITOR		
8-Pin SOIC	-40 to +85	DS1708TESA	3.3V-5% MONITOR		
μ-SOP	-40 to +85	DS1708TEUA	3.3V-5% MONITOR		
DS1720	8-Pin SOIC (208 mil)	-55 to +125	DS1720S		
DS1721	8-Pin SOIC	-55 to +125	DS1721S		
	8-Pin uSOP	-55 to +125	DS1721U		
DS1722	8-Pin SOIC	-55 to +120	DS1722S		
	8-Pin uSOP	-55 to +120	DS1722U		
	Flipchip	-55 to +120	DS1722X		
DS17285	24-Pin DIP	0 to 70	DS17285-3	3 volt	
	24-Pin DIP	0 to 70	DS17285-5	5 volt	
	28-Pin TSOP	0 to 70	DS17285E-3	3 volt	
	28-Pin TSOP	0 to 70	DS17285E-5	5 volt	
	28-Pin TSOP	-40 to +85	DS17285EN-3	3 volt	
	28-Pin TSOP	-40 to +85	DS17285EN-5	5 volt	
	24-Pin DIP	-40 to +85	DS17285N-3	3 volt	
	24-Pin DIP	-40 to +85	DS17285N-5	5 volt	
	24-Pin SOIC	0 to 70	DS17285S-3	3 volt	
	24-Pin SOIC	0 to 70	DS17285S-5	5 volt	
	24-Pin SOIC	-40 to +85	DS17285SN-3	3 volt	
	24-Pin SOIC	-40 to +85	DS17285SN-5	5 volt	
	DS17287	24-Pin Encap. DIP	0 to 70	DS17287-3	3 volt
		24-Pin Encap. DIP	0 to 70	DS17287-5	5 volt
	DS1742	24-Pin Encap. DIP	0 to 70	DS1742-70	5 Volt, 70 ns
24-Pin Encap. DIP		0 to 70	DS1742-100	5 Volt, 100 ns	

DS1743	24-Pin Encap. DIP	0 to 70	DS1742W-120	3.3 Volt, 120 ns
	24-Pin Encap. DIP	0 to 70	DS1742W-150	3.3 Volt, 150 ns
	28-Pin Encap. DIP	0 to 70	DS1743-70	5 Volt, 70 ns
	28-Pin Encap. DIP	0 to 70	DS1743-100	5 Volt, 100 ns
	34-Pin PowerCap	0 to 70	DS1743P-70	5 Volt, 70 ns
	34-Pin PowerCap	0 to 70	DS1743P-100	5 Volt, 100 ns
	28-Pin Encap. DIP	0 to 70	DS1743W-120	3.3 Volt, 120 ns
	28-Pin Encap. DIP	0 to 70	DS1743W-150	3.3 Volt, 150 ns
DS1744	34-Pin PowerCap	0 to 70	DS1743WP-120	3.3 Volt, 120 ns
	34-Pin PowerCap	0 to 70	DS1743WP-150	3.3 Volt, 150 ns
	28-Pin Encap. DIP	0 to 70	DS1744-70	5 Volt, 70 ns
	28-Pin Encap. DIP	0 to 70	DS1744-100	5 Volt, 100 ns
	34-Pin PowerCap	0 to 70	DS1744P-70	5 Volt, 70 ns
	34-Pin PowerCap	0 to 70	DS1744P-100	5 Volt, 100 ns
	28-Pin Encap. DIP	0 to 70	DS1744W-120	3.3 Volt, 120 ns
	28-Pin Encap. DIP	0 to 70	DS1744W-150	3.3 Volt, 150 ns
DS1746	34-Pin PowerCap	0 to 70	DS1744WP-120	3.3 Volt, 120 ns
	34-Pin PowerCap	0 to 70	DS1744WP-150	3.3 Volt, 150 ns
	28-Pin Encap. DIP	0 to 70	DS1746-70	5 Volt, 70 ns
	28-Pin Encap. DIP	0 to 70	DS1746-100	5 Volt, 100 ns
	34-Pin PowerCap	0 to 70	DS1746P-70	5 Volt, 70 ns
	34-Pin PowerCap	0 to 70	DS1746P-100	5 Volt, 100 ns
	28-Pin Encap. DIP	0 to 70	DS1746W-120	3.3 Volt, 120 ns
	28-Pin Encap. DIP	0 to 70	DS1746W-150	3.3 Volt, 150 ns
DS1747	34-Pin PowerCap	0 to 70	DS1746WP-120	3.3 Volt, 120 ns
	34-Pin PowerCap	0 to 70	DS1746WP-150	3.3 Volt, 150 ns
	28-Pin Encap. DIP	0 to 70	DS1747-70	5 Volt, 70 ns
	28-Pin Encap. DIP	0 to 70	DS1747-100	5 Volt, 100 ns
	34-Pin PowerCap	0 to 70	DS1747P-70	5 Volt, 70 ns
	34-Pin PowerCap	0 to 70	DS1747P-100	5 Volt, 100 ns
	28-Pin Encap. DIP	0 to 70	DS1747W-120	3.3 Volt, 120 ns
	28-Pin Encap. DIP	0 to 70	DS1747W-150	3.3 Volt, 150 ns
DS17485	34-Pin PowerCap	0 to 70	DS1747WP-120	3.3 Volt, 120 ns
	34-Pin PowerCap	0 to 70	DS1747WP-150	3.3 Volt, 150 ns
	24-Pin DIP	0 to 70	DS17485-3	3 volt
	24-Pin DIP	0 to 70	DS17485-5	5 volt
	28-Pin TSOP	0 to 70	DS17485E-3	3 volt
	28-Pin TSOP	0 to 70	DS17485E-5	5 volt
	28-Pin TSOP	-40 to +85	DS17485EN-3	3 volt
	28-Pin TSOP	-40 to +85	DS17485EN-5	5 volt

	24-Pin SOIC	0 to 70	DS17485S-3	3 volt
	24-Pin SOIC	0 to 70	DS17485S-5	5 volt
	24-Pin SOIC	-40 to +85	DS17485SN-3	3 volt
	24-Pin SOIC	-40 to +85	DS17485SN-5	5 volt
DS17487	24-Pin Encap. DIP	0 to 70	DS17487-3	3 volt
	24-Pin Encap. DIP	0 to 70	DS17487-5	5 volt
DS1775	5-Pin SOT23	-55 to +125	DS1775R/T&R	000 2-wire address
	5-Pin SOT23	-55 to +125	DS1775R1/T&R	001 2-wire address
	5-Pin SOT23	-55 to +125	DS1775R2/T&R	010 2-wire address
	5-Pin SOT23	-55 to +125	DS1775R3/T&R	011 2-wire address
	5-Pin SOT23	-55 to +125	DS1775R4/T&R	100 2-wire address
	5-Pin SOT23	-55 to +125	DS1775R5/T&R	101 2-wire address
	5-Pin SOT23	-55 to +125	DS1775R6/T&R	110 2-wire address
	5-Pin SOT23	-55 to +125	DS1775R7/T&R	111 2-wire address
DS1780	24-Pin TSSOP	-40 to +125	DS1780E	
DS17885	24-Pin DIP	0 to 70	DS17885-3	3 volt
	24-Pin DIP	0 to 70	DS17885-5	5 volt
	28-Pin TSOP	0 to 70	DS17885E-3	3 volt
	28-Pin TSOP	0 to 70	DS17885E-5	5 volt
	28-Pin TSOP	-40 to +85	DS17885EN-3	3 volt
	28-Pin TSOP	-40 to +85	DS17885EN-5	5 volt
	24-Pin DIP	-40 to +85	DS17885N-3	3 volt
	24-Pin DIP	-40 to +85	DS17885N-5	5 volt
	24-Pin SOIC	0 to 70	DS17885S-3	3 volt
	24-Pin SOIC	0 to 70	DS17885S-5	5 volt
DS17887	24-Pin Encap. DIP	0 to 70	DS17887-3	3 volt
	24-Pin Encap. DIP	0 to 70	DS17887-5	5 volt
DS1801	14-Pin DIP	-40 to +85	DS1801	45K ohms
	14-Pin TSSOP	-40 to +85	DS1801E-014	45K ohms
	14-Pin TSSOP/T&R	-40 to +85	DS1801E-014/T&R	45K ohms
	16-Pin SOIC	-40 to +85	DS1801S	45K ohms
	16-Pin SOIC/T&R	-40 to +85	DS1801S/T&R	45K ohms
DS1802	20-Pin DIP	0 to 70	DS1802	50K ohms
	20-Pin SOIC	0 to 70	DS1802S	50K ohms
	20-Pin SOIC/T&R	0 to 70	DS1802S/T&R	50K ohms
	20-Pin TSSOP	0 to 70	DS1802E	50K ohms
	20-Pin TSSOP/T&R	0 to 70	DS1802E/T&R	50K ohms
DS1803	16-Pin DIP	-40 to +85	DS1803-010	10K ohms
	16-Pin DIP	-40 to +85	DS1803-050	50K ohms
	16-Pin DIP	-40 to +85	DS1803-100	100K ohms

	14-Pin TSSOP	-40 to +85	DS1803E-010	10K ohms
	14-Pin TSSOP/T&R	-40 to +85	DS1803E-010/T&R	10K ohms
	14-Pin TSSOP	-40 to +85	DS1803E-050	50K ohms
	14-Pin TSSOP/T&R	-40 to +85	DS1803E-050/T&R	50K ohms
	14-Pin TSSOP	-40 to +85	DS1803E-100	100K ohms
	14-Pin TSSOP/T&R	-40 to +85	DS1803E-100/T&R	100K ohms
	16-Pin SOIC	-40 to +85	DS1803Z-010	10K ohms
	16-Pin SOIC/T&R	-40 to +85	DS1803Z-010/T&R	10K ohms
	16-Pin SOIC	-40 to +85	DS1803Z-050	50K ohms
	16-Pin SOIC/T&R	-40 to +85	DS1803Z-050/T&R	50K ohms
	16-Pin SOIC	-40 to +85	DS1803Z-100	100K ohms
	16-Pin SOIC/T&R	-40 to +85	DS1803Z-100/T&R	100K ohms
DS1804	8-Pin DIP	-40 to +85	DS1804-010	10K ohms
	8-Pin DIP	-40 to +85	DS1804-050	50K ohms
	8-Pin DIP	-40 to +85	DS1804-100	100K ohms
	8-Pin USOP	-40 to +85	DS1804U-010	10K ohms
	8-Pin USOP/T&R	-40 to +85	DS1804U-010/T&R	10K ohms
	8-Pin USOP	-40 to +85	DS1804U-050	50K ohms
	8-Pin USOP/T&R	-40 to +85	DS1804U-050/T&R	50K ohms
	8-Pin USOP	-40 to +85	DS1804U-100	100K ohms
	8-Pin USOP/T&R	-40 to +85	DS1804U-100/T&R	100K ohms
	8-Pin FCP	-40 to +85	DS1804X-010	10K ohms
	8-Pin FCP	-40 to +85	DS1804X-050	50K ohms
	8-Pin FCP	-40 to +85	DS1804X-100	100K ohms
	8-Pin SOIC	-40 to +85	DS1804Z-010	10K ohms
	8-Pin SOIC/T&R	-40 to +85	DS1804Z-010/T&R	10K ohms
	8-Pin SOIC	-40 to +85	DS1804Z-050	50K ohms
	8-Pin SOIC/T&R	-40 to +85	DS1804Z-050/T&R	50K ohms
	8-Pin SOIC	-40 to +85	DS1804Z-100	100K ohms
	8-Pin SOIC/T&R	-40 to +85	DS1804Z-100/T&R	100K ohms
DS1806	20-Pin DIP	-40 to +85	DS1806-010	10K ohms
	20-Pin DIP	-40 to +85	DS1806-050	50K ohms
	20-Pin DIP	-40 to +85	DS1806-100	100K ohms
	20-Pin TSSOP	-40 to +85	DS1806E-010	10K ohms
	20-Pin TSSOP/T&R	-40 to +85	DS1806E-010/T&R	10K ohms
	20-Pin TSSOP	-40 to +85	DS1806E-050	50K ohms
	20-Pin TSSOP/T&R	-40 to +85	DS1806E-050/T&R	50K ohms
	20-Pin TSSOP	-40 to +85	DS1806E-100	100K ohms
	20-Pin TSSOP/T&R	-40 to +85	DS1806E-100/T&R	100K ohms
	20-Pin SOIC	-40 to +85	DS1806S-010	10K ohms

	20-Pin SOIC/T&R	-40 to +85	DS1806S-010/T&R	10K ohms
	20-Pin SOIC	-40 to +85	DS1806S-050	50K ohms
	20-Pin SOIC/T&R	-40 to +85	DS1806S-050/T&R	50K ohms
	20-Pin SOIC	-40 to +85	DS1806S-100	100K ohms
	20-Pin SOIC/T&R	-40 to +85	DS1806S-100/T&R	100K ohms
DS1807	14-Pin DIP	-40 to +85	DS1807	45K ohms
	14-Pin TSSOP	-40 to +85	DS1807E	45K ohms
	14-Pin TSSOP/T&R	-40 to +85	DS1807E/T&R	45K ohms
	16-Pin SOIC	-40 to +85	DS1807S	45K ohms
DS1809	16-Pin SOIC/T&R	-40 to +85	DS1807S/T&R	45K ohms
	8-Pin DIP	-40 to +85	DS1809-010	10K ohms
	8-Pin DIP	-40 to +85	DS1809-050	50K ohms
	8-Pin DIP	-40 to +85	DS1809-100	100K ohms
	8-Pin USOP	-40 to +85	DS1809U-010	10K ohms
	8-Pin USOP	-40 to +85	DS1809U-050	50K ohms
	8-Pin USOP	-40 to +85	DS1809U-100	100K ohms
	8-Pin SOIC	-40 to +85	DS1809Z-010	10K ohms
	8-Pin SOIC	-40 to +85	DS1809Z-050	50K ohms
	8-Pin SOIC	-40 to +85	DS1809Z-100	100K ohms
DS1810	TO-92	-40C to +85C	DS1810-15	5.0V-10% Monitor
	TO-92	-40C to +85C	DS1810-10	5.0V-15% Monitor
	TO-92	-40C to +85C	DS1810-5	5.0V-5% Monitor
	SOT-23/T&R	-40C to +85C	DS1810R-10/T&R	5.0V-10% Monitor
	SOT-23/T&R	-40C to +85C	DS1810R-15/T&R	5.0V-15% Monitor
	SOT-23/T&R	-40C to +85C	DS1810R-5/T&R	5.0V-5% Monitor
	FlipChipPkg/T&R	-40C to +85C	DS1810X-10/T&R	5.0V-10% Monitor
DS1811	TO-92	-40C to +85C	DS1811-10	5.0V-10% Monitor
	TO-92	-40C to +85C	DS1811-15	5.0V-15% Monitor
	TO-92	-40C to +85C	DS1811-5	5.0V-5% Monitor
	SOT-23/T&R	-40C to +85C	DS1811R-10/T&R	5.0V-10% Monitor
	SOT-23/T&R	-40C to +85C	DS1811R-15/T&R	5.0V-15% Monitor
	SOT-23/T&R	-40C to +85C	DS1811R-5/T&R	5.0V-5% Monitor
	FlipChipPkg/T&R	-40C to +85C	DS1811X-10/T&R	5.0V-10% Monitor
DS1812	TO-92	-40C to +85C	DS1812-10	5.0V-10% Monitor
	TO-92	-40C to +85C	DS1812-15	5.0V-15% Monitor
	TO-92	-40C to +85C	DS1812-5	5.0V-5% Monitor
	SOT-23/T&R	-40C to +85C	DS1812R-10/T&R	5.0V-10% Monitor
	SOT-23/T&R	-40C to +85C	DS1812R-15/T&R	5.0V-15% Monitor
	SOT-23/T&R	-40C to +85C	DS1812R-5/T&R	5.0V-5% Monitor

DS1813	FlipChipPkg/T&R	-40C to +85C	DS1812X-5/T&R	5.0V-10% Monitor	
	TO-92	-40C to +85C	DS1813-10	5.0V-10% Monitor	
	TO-92	-40C to +85C	DS1813-15	5.0V-15% Monitor	
	TO-92	-40C to +85C	DS1813-5	5.0V-5% Monitor	
	SOT-23/T&R	-40C to +85C	DS1813R-10/T&R	5.0V-10% Monitor	
	SOT-23/T&R	-40C to +85C	DS1813R-15/T&R	5.0V-15% Monitor	
	SOT-23/T&R	-40C to +85C	DS1813R-5/T&R	5.0V-5% Monitor	
	FlipChipPkg/T&R	-40C to +85C	DS1813X-10/T&R	5.0V-10% Monitor	
DS1814	FlipChipPkg/T&R	-40C to +85C	DS1813X-5/T&R	5.0V-5% Monitor	
	SOT-23-5/T&R	-40C to +85C	DS1814AR-10/T&R	5V-10% MONITOR	
	SOT-23-5/T&R	-40C to +85C	DS1814AR-5/T&R	5V-5% MONITOR	
	SOT-23-5/T&R	-40C to +85C	DS1814BR-10/T&R	5V-10% MONITOR	
	SOT-23-5/T&R	-40C to +85C	DS1814BR-5/T&R	5.0V-5% Monitor	
	FlipChipPkg/T&R	-40C to +85C	DS1814BX-10/T&R	5.0V-10% Monitor	
	FlipChipPkg/T&R	-40C to +85C	DS1814BX-5/T&R	5.0V-5% Monitor	
	SOT-23-5/T&R	-40C to +85C	DS1814CR-10/T&R	5.0V-10% Monitor	
	SOT-23-5/T&R	-40C to +85C	DS1814CR-5/T&R	5.0V-5% Monitor	
	FlipChipPkg/T&R	-40C to +85C	DS1814CX-10/T&R	5.0V-10% Monitor	
	FlipChipPkg/T&R	-40C to +85C	DS1814CX-5/T&R	5.0V-5% Monitor	
	DS1815	TO-92	-40C to +85C	DS1815-10	3.3V-10% Monitor
TO-92		-40C to +85C	DS1815-20	3.3V-20% Monitor	
TO-92		-40C to +85C	DS1815-5	3.3V-5% Monitor	
SOT-23/T&R		-40C to +85C	DS1815R-10/T&R	3.3V-10% Tolerance	
SOT-23/T&R		-40C to +85C	DS1815R-20/T&R	3.3V-20% Tolerance	
SOT-23/T&R		-40C to +85C	DS1815R-5/T&R	3.3V-5% Monitor	
DS1816		TO-92	-40C to +85C	DS1816-5	3.3V-5% Tolerance
		TO-92	-40C to +85C	DS1816-10	3.3V-10% Tolerance
	TO-92	-40C to +85C	DS1816-20	3.3V-20% Tolerance	
	SOT-23/T&R	-40C to +85C	DS1816R-10/T&R	3.3V-10% Monitor	
	SOT-23/T&R	-40C to +85C	DS1816R-20/T&R	3.3V-20% Monitor	
	SOT-23/T&R	-40C to +85C	DS1816R-5/T&R	3.3V-5% Monitor	
	DS1817	TO-92	-40C to +85C	DS1817-5	3.3V-5% Monitor
		TO-92	-40C to +85C	DS1817-10	3.3V-10% Monitor
TO-92		-40C to +85C	DS1817-20	3.3V-20% Monitor	
SOT-23/T&R		-40C to +85C	DS1817R-10/T&R	3.3V-10% Monitor	
SOT-23/T&R		-40C to +85C	DS1817R-20/T&R	3.3V-20% Monitor	
SOT-23/T&R		-40C to +85C	DS1817R-5/T&R	3.3V-5% Monitor	
DS1818		TO-92	-40C to +85C	DS1818-5	3.3V-5% Monitor
		TO-92	-40C to +85C	DS1818-10	3.3V-10% Monitor
	TO-92	-40C to +85C	DS1818-20	3.3V-20% Monitor	

	SOT-23/T&R	-40C to +85C	DS1818R-10/T&R	3.3V-10% Monitor
	SOT-23/T&R	-40C to +85C	DS1818R-20/T&R	3.3V-20% Monitor
	SOT-23/T&R	-40C to +85C	DS1818R-5/T&R	3.3V-5% Monitor
DS1819	SOT-23-5/T&R	-40C to +85C	DS1819AR-10/T&R	3.3V-10% Monitor
	SOT-23-5/T&R	-40C to +85C	DS1819AR-20/T&R	3.3V-20% Monitor
	SOT-23-5/T&R	-40C to +85C	DS1819AR-5/T&R	3.3V-5% Monitor
	FlipChipPkg/T&R	-40C to +85C	DS1819AX-20/T&R	3.3V-20% Monitor
	SOT-23-5/T&R	-40C to +85C	DS1819BR-10/T&R	3.3V-10% Monitor
	SOT-23-5/T&R	-40C to +85C	DS1819BR-20/T&R	3.3V-20% Monitor
	SOT-23-5/T&R	-40C to +85C	DS1819BR-5/T&R	3.3V-2% Monitor
	SOT-23-5/T&R	-40C to +85C	DS1819CR-10/T&R	3.3V-10% Monitor
	SOT-23-5/T&R	-40C to +85C	DS1819CR-20/T&R	3.3V-5% Monitor
	SOT-23-5/T&R	-40C to +85C	DS1819CR-5/T&R	3.3V-20% Monitor
DS1821	PR-35	-55 to +125	DS1821	
	8-Pin SOIC	-55 to +125	DS1821S	
DS1822	3-Pin TO-92	-55 to +125	DS1822	
	Flipchip	-55 to +125	DS1822X	
	8-Pin SOIC	-55 to +125	DS1822Z	
DS1822-PAR	3-Pin TO-92	-55 to +100	DS1822-PAR	
DS18B20	3-Pin TO-92	-55 to +125	DS18B20	
	Flipchip	-55 to +125	DS18B20X	
	8-Pin SOIC	-55 to +125	DS18B20Z	
DS18B20-PAR	3-Pin TO-92	-55 to +100	DS18B20-PAR	
DS18S20	3-Pin TO-92	-55 to +125	DS18S20	
	8-Pin SOIC	-55 to +125	DS18S20Z	
DS18S20-PAR	3-Pin TO-92	-55 to +100	DS18S20-PAR	
DS1832	8-Pin DIP	-40C to +85C	DS1832	
	8-Pin SOIC	-40C to +85C	DS1832S	
	8-Pin m-SOP	-40C to +85C	DS1832U	
DS1830	8-Pin DIP	-40C to +85C	DS1830	5.0V Reset Sequencer
	8-Pin DIP	-40C to +85C	DS1830A	3.3V Reset Sequencer
	8-Pin SOIC	-40C to +85C	DS1830AS	3.3V Reset Sequencer
	μ-SOP	-40C to +85C	DS1830AU	3.3V Reset Sequencer
	8-Pin DIP	-40C to +85C	DS1830B	2.5V Reset Sequencer
	8-Pin SOIC	-40C to +85C	DS1830BS	2.5V Reset Sequencer
	μ-SOP	-40C to +85C	DS1830BU	2.5V Reset Sequencer
	8-Pin SOIC	-40C to +85C	DS1830S	5.0V Reset Sequencer
	μ-SOP	-40C to +85C	DS1830U	5.0V Reset Sequencer
DS1831	16 Pin DIP 300mil	-40C to +85C	DS1831	
	16 Pin DIP 300mil	-40C to +85C	DS1831A	w/WD

	16 Pin SO 150mil	-40C to +85C	DS1831AS	w/WD
	16 Pin DIP 300mil	-40C to +85C	DS1831B	w/Reset Status
	16 Pin SO 150mil	-40C to +85C	DS1831BS	w/Reset Status
	16 Pin DIP 300mil	-40C to +85C	DS1831C	2.5V and 3.0V
	16 Pin SO 150mil	-40C to +85C	DS1831CS	2.5V and 3.0V
	16 Pin DIP 300mil	-40C to +85C	DS1831D	w/WD
	16 Pin SO 150mil	-40C to +85C	DS1831DS	w/WD
	16 Pin DIP 300mil	-40C to +85C	DS1831E	w/Reset Status
	16 Pin SO 150mil	-40C to +85C	DS1831ES	w/Reset Status
	17 Pin SO 150mil	-40C to +85C	DS1831S	
DS1832	8 Pin DIP 300mil	-40C to +85C	DS1832	
	8 Pin SO 150mil	-40C to +85C	DS1832S	
	μ-SOP	0C to +70C	DS1832U	
DS1833	TO-92	-40 to +85	DS1833-5	5% MONITOR
	TO-92	-40 to +85	DS1833-10	10% MONITOR
	TO-92	-40 to +85	DS1833-15	15% MONITOR
	SOT-223	-40 to +85	DS1833Z-5	5% MONITOR
	SOT-223	-40 to +85	DS1833Z-10	10% MONITOR
	SOT-223	-40 to +85	DS1833Z-15	15% MONITOR
DS1834	8 Pin DIP 300mil	-40C to +85C	DS1834	CMOS Active Low
	8 Pin DIP 300mil	-40C to +85C	DS1834A	Open Drain Act. Low
	8 Pin SO 150mil	-40C to +85C	DS1834AS	Open Drain Act. Low
	μ-SOP	-40C to +85C	DS1834AU	Open Drain Act. Low
	FlipChipPkg/T&R	-40C to +85C	DS1834AX/T&R	Open Drain Act. Low
	8 Pin DIP 300mil	-40C to +85C	DS1834D	CMOS Active High
	8 Pin SO 150mil	-40C to +85C	DS1834DS	CMOS Active High
	μ-SOP	-40C to +85C	DS1834DU	CMOS Active High
	8-Pin m-SOP	-40C to +85C	DS1834S	CMOS Active Low
	8 Pin SO 150mil	-40C to +85C	DS1834U	CMOS Active Low
	FlipChipPkg/T&R	-40C to +85C	DS1834X/T&R	CMOS Active Low
DS1836	8 Pin DIP 300mil	-40 to +85	DS1836A-10	5.0V-10% Monitor
	8 Pin DIP 300mil	-40 to +85	DS1836A-5	5.0V-5% Monitor
	8-Pin SOIC	-40 to +85	DS1836AS-10	5.0V-10% Monitor
	8-Pin SOIC	-40 to +85	DS1836AS-5	5.0V-5% Monitor
	8 Pin DIP 300mil	-40 to +85	DS1836B-10	5.0V-10% Monitor
	8 Pin DIP 300mil	-40 to +85	DS1836B-5	5.0V-5% Monitor
	8-Pin SOIC	-40 to +85	DS1836BS-10	5.0V-10% Monitor
	8-Pin SOIC	-40 to +85	DS1836BS-5	5.0V-5% Monitor
	8 Pin DIP 300mil	-40 to +85	DS1836C-10	3.3V-10% Monitor
	8 Pin DIP 300mil	-40 to +85	DS1836C-20	3.3V-20% Monitor

	8-Pin SOIC	-40 to +85	DS1836CS-10	3.3V-10% Monitor
	8-Pin SOIC	-40 to +85	DS1836CS-20	3.3V-20% Monitor
	8 Pin DIP 300mil	-40 to +85	DS1836D-10	3.3V-10% Monitor
	8 Pin DIP 300mil	-40 to +85	DS1836D-20	3.3V-20% Monitor
	8-Pin SOIC	-40 to +85	DS1836DS-10	3.3V-10% Monitor
	8-Pin SOIC	-40 to +85	DS1836DS-20	3.3V-20% Monitor
DS1844	20-Pin DIP	-40C to +85C	DS1844-010	10K ohms
	20-Pin DIP	-40C to +85C	DS1844-050	50K ohms
	20-Pin DIP	-40C to +85C	DS1844-100	100K ohms
	20-Pin TSSOP	-40C to +85C	DS1844E-010	10K ohms
	20-Pin TSSOP/T&R	-40C to +85C	DS1844E-010/T&R	10K ohms
	20-Pin TSSOP	-40C to +85C	DS1844E-050	50K ohms
	20-Pin TSSOP/T&R	-40C to +85C	DS1844E-050/T&R	50K ohms
	20-Pin TSSOP	-40C to +85C	DS1844E-100	100K ohms
	20-Pin TSSOP/T&R	-40C to +85C	DS1844E-100/T&R	100K ohms
	20-Pin SOIC	-40C to +85C	DS1844S-010	10K ohms
	20-Pin SOIC/T&R	-40C to +85C	DS1844S-010/T&R	10K ohms
	20-Pin SOIC	-40C to +85C	DS1844S-050	50K ohms
	20-Pin SOIC/T&R	-40C to +85C	DS1844S-050/T&R	50K ohms
	20-Pin SOIC	-40C to +85C	DS1844S-100	100K ohms
	20-Pin SOIC/T&R	-40C to +85C	DS1844S-100/T&R	100K ohms
DS1845	16-Ball STPBGA	-40C to +85C	DS1845B-010	10K/10K ohms
	16-Ball STPBGA	-40C to +85C	DS1845B-050	10K/50K ohms
	16-Ball STPBGA	-40C to +85C	DS1845B-100	10K/100K ohms
	14-Pin TSSOP	-40C to +85C	DS1845E-010	10K/10K ohms
	14-Pin TSSOP/T&R	-40C to +85C	DS1845E-010/T&R	10K/10K ohms
	14-Pin TSSOP	-40C to +85C	DS1845E-050	10K/50K ohms
	14-Pin TSSOP/T&R	-40C to +85C	DS1845E-050/T&R	10K/50K ohms
	14-Pin TSSOP	-40C to +85C	DS1845E-100	10K/100K ohms
	14-Pin TSSOP/T&R	-40C to +85C	DS1845E-100/T&R	10K/100K ohms
	14-Pin FCP	-40C to +85C	DS1845X-010	10K/10K ohms
	14-Pin FCP	-40C to +85C	DS1845X-050	10K/50K ohms
	14-Pin FCP	-40C to +85C	DS1845X-100	10K/100K ohms
DS1866	8-Pin DIP	-40 to +85	DS1866	10K ohms
	8-Pin SOIC	-40 to +85	DS1866Z	10K ohms
DS1867	14-Pin DIP	-40 to +85	DS1867-010	10K ohms
	14-Pin DIP	-40 to +85	DS1867-050	50K ohms
	14-Pin DIP	-40 to +85	DS1867-100	100K ohms
	20-Pin TSSOP	-40 to +85	DS1867E-010	10K ohms
	20-Pin TSSOP/T&R	-40 to +85	DS1867E-010/T&R	10K ohms

	20-Pin TSSOP	-40 to +85	DS1867E-050	50K ohms
	20-Pin TSSOP/T&R	-40 to +85	DS1867E-050/T&R	50K ohms
	20-Pin TSSOP	-40 to +85	DS1867E-100	100K ohms
	20-Pin TSSOP/T&R	-40 to +85	DS1867E-100/T&R	100K ohms
	16-Pin SOIC	-40 to +85	DS1867S-010	10K ohms
	16-Pin SOIC/T&R	-40 to +85	DS1867S-010/T&R	10K ohms
	16-Pin SOIC	-40 to +85	DS1867S-050	50K ohms
	16-Pin SOIC/T&R	-40 to +85	DS1867S-050/T&R	50K ohms
	16-Pin SOIC	-40 to +85	DS1867S-100	100K ohms
	16-Pin SOIC/T&R	-40 to +85	DS1867S-100/T&R	100K ohms
DS1868	14-Pin DIP	-40 to +85	DS1868-010	10K ohms
	14-Pin DIP	-40 to +85	DS1868-050	50K ohms
	14-Pin DIP	-40 to +85	DS1868-100	100K ohms
	20-Pin TSSOP	-40 to +85	DS1868E-010	10K ohms
	20-Pin TSSOP/T&R	-40 to +85	DS1868E-010/T&R	10K ohms
	20-Pin TSSOP	-40 to +85	DS1868E-050	50K ohms
	20-Pin TSSOP/T&R	-40 to +85	DS1868E-050/T&R	50K ohms
	20-Pin TSSOP	-40 to +85	DS1868E-100	100K ohms
	20-Pin TSSOP/T&R	-40 to +85	DS1868E-100/T&R	100K ohms
	16-Pin SOIC	-40 to +85	DS1868S-010	10K ohms
	16-Pin SOIC/T&R	-40 to +85	DS1868S-010/T&R	10K ohms
	16-Pin SOIC	-40 to +85	DS1868S-050	50K ohms
	16-Pin SOIC/T&R	-40 to +85	DS1868S-050/T&R	50K ohms
	16-Pin SOIC	-40 to +85	DS1868S-100	100K ohms
	16-Pin SOIC/T&R	-40 to +85	DS1868S-100/T&R	100K ohms
DS1869	8-Pin DIP	-40 to +85	DS1869-010	10K ohms
	8-Pin DIP	-40 to +85	DS1869-050	50K ohms
	8-Pin DIP	-40 to +85	DS1869-100	100K ohms
	8-Pin SOIC	-40 to +85	DS1869S-010	10K ohms
	8-Pin SOIC/T&R	-40 to +85	DS1869S-010/T&R	10K ohms
	8-Pin SOIC	-40 to +85	DS1869S-050	50K ohms
	8-Pin SOIC/T&R	-40 to +85	DS1869S-050/T&R	50K ohms
	8-Pin SOIC	-40 to +85	DS1869S-100	100K ohms
	8-Pin SOIC/T&R	-40 to +85	DS1869S-100/T&R	100K ohms
DS1904	iButton	0 to 70	DS1904L-F5	F5 MicroCan
DS1920	iButton	-55 to +100	DS1920-F5	F5 MicroCan
DS1921	iButton	10 to +85	DS1921L-F51	F5 MicroCan
	iButton	-20 to +85	DS1921L-F52	F5 MicroCan
	iButton	-30 to +85	DS1921L-F53	F5 MicroCan

DS1921	iButton	-55 to +100	DS1921K	iButton Thermocon Starter Kit
DS1963	iButton	-40 to +70	DS1963L-F5	F5 MicroCan
	iButton	-40 to +70	DS1963S-F5	w/SHA-1 engine, F5 MicroCan
DS1971	iButton	-40 to +85	DS1971-F3	F3 MicroCan
	iButton	-40 to +85	DS1971-F5	F5 MicroCan
DS1973	iButton	-40 to +85	DS1973-F3	F3 MicroCan
	iButton	-40 to +85	DS1973-F5	F5 MicroCan
DS1982	iButton	-40 to +85	DS1982-F3	F3 MicroCan
	iButton	-40 to +85	DS1982-F5	F5 MicroCan
DS1985	iButton	-40 to +85	DS1985-F3	F3 MicroCan
	iButton	-40 to +85	DS1985-F5	F5 MicroCan
DS1986	iButton	-40 to +85	DS1986-F3	F3 MicroCan
	iButton	-40 to +85	DS1986-F5	F5 MicroCan
DS1990A	iButton	-40 to +85	DS1990A-F3	F3 MicroCan
	iButton	-40 to +85	DS1990A-F5	F5 MicroCan
DS1991	iButton	-40 to +70	DS1991L-F5	F5 MicroCan
DS1992	iButton	-40 to +70	DS1992L-F5	F5 MicroCan
DS1993	iButton	-40 to +70	DS1993L-F5	F5 MicroCan
DS1994	iButton	-40 to +70	DS1994L-F5	F5 MicroCan
DS1995	iButton	-40 to +70	DS1995L-F5	F5 MicroCan
DS1996	iButton	-40 to +70	DS1996L-F5	F5 MicroCan
DS2016	24-Pin DIP	-40 to +85	DS2016	100 ns
	24-Pin SOIC	-40 to +85	DS2016S	100 ns
DS2064	28-Pin DIP	-40 to +85	DS2064-200	200 ns
	28-Pin SOIC	-40 to +85	DS2064S-200	200 ns
DS2105	16-Pin SOIC (150 mil)	0 to 70	DS2105Z	5% 9-Channel SCSI Terminator
	16-Pin SOIC (300 mil)	0 to 70	DS2105S	5% 9-line SE
DS2108	24-Pin SOIC (300 mil)	0 to 70	DS2108S	Differential (HVD) Switchable SCSI Terminator
DS2109	28-Pin SOIC (300 mil)	0 to 70	DS2109S	2% 18-Channel SE Plug and
DS2114	16-Pin SOIC (300 mil)	0 to 70	DS2114Z	9-Channel SCSI Terminator
DS2117M	36-Pin SSOP	0 to 70	DS2117MB	5% 9-Channel LVD/SEUltra2

	39-bump FLIP CHIP	0 to 70	DS2117MX	5% 9-Channel LVD/SEUltra2
DS2118M	36-Pin SSOP	0 to 70	DS2118MB	5% 9-Channel LVD/SE Ultra2
DS2119M	28-Pin TSSOP	0 to 70	DS2119ME	5% 9-Channel LVD/SEUltra2
DS2130	28-Pin DIP	0 to 70	DS2130	
	28-Pin DIP	-40 to +85	DS2130N	
	28-Pin PLCC	0 to 70	DS2130Q	
	28-Pin PLCC	-40 to +85	DS2130QN	
DS2132A	28-Pin DIP	0 to 70	DS2132A	
	28-Pin DIP	-40 to +85	DS2132AN	
	28-Pin PLCC	0 to 70	DS2132AQ	
	28-Pin PLCC	-40 to +85	DS2132AQN	
DS21352	100-Pin LQFP	0 to 70	DS21352L	
	100-Pin LQFP	-40 to +85	DS21352LN	
DS21354	100-Pin LQFP	0 to 70	DS21354L	
	100-Pin LQFP	-40 to +85	DS21354LN	
DS21372	32-Pin TQFP	0 to 70	DS21372T	
	32-Pin TQFP	-40 to +85	DS21372TN	
DS2141A	40-Pin DIP	0 to 70	DS2141A	
	40-Pin DIP	-40 to +85	DS2141AN	
	44-Pin PLCC	0 to 70	DS2141AQ	
	44-Pin PLCC	-40 to +85	DS2141AQN	
DS2143	40-Pin DIP	0 to 70	DS2143	
	40-Pin DIP	-40 to +85	DS2143N	
	44-Pin PLCC	0 to 70	DS2143Q	
	44-Pin PLCC	-40 to +85	DS2143QN	
DS2148	7 mm CABGA	0 to 70	DS2148G	
	7 mm CABGA	-40 to +85	DS2148GN	
	44-pin TQFP	0 to 70	DS2148T	
	44-pin TQFP	-40 to +85	DS2148TN	
DS2151	44-Pin PLCC	0 to 70	DS2151QB	
	44-Pin PLCC	-40 to +85	DS2151QNB	
DS2152	100-Pin LQFP	0 to 70	DS2152L	
	100-Pin LGFP	-40 to +85	DS2152LN	
DS2153	44-Pin PLCC	0 to 70	DS2153Q-A7	
	44-Pin PLCC	-40 to +85	DS2153QN-A7	
DS2154	100-Pin LQFP	0 to 70	DS2154L	
	100-Pin LQFP	-40 to +85	DS2154LN	

DS21552	100-Pin LQFP	0 to 70	DS21552L	3 Volt
	100-Pin LQFP	-40 to +85	DS21552LN	
DS21554	100-Pin LQFP	0 to 70	DS21554L	
	100-Pin LQFP	-40 to +85	DS21554LN	
DS2164Q	28-Pin PLCC	0 to 70	DS2164Q	
	28-Pin PLCC	-40 to +85	DS2164QN	
DS2165	24-Pin DIP	0 to 70	DS2165	
	24-Pin DIP	-40 to +85	DS2165N	
	28-Pin PLCC	0 to 70	DS2165Q	
	28-Pin PLCC	0 to 70	DS2165QL	
	28-Pin PLCC	-40 to +85	DS2165QN	
DS2172	32-Pin TQFP	0 to 70	DS2172T	
	32-Pin TQFP	-40 to +85	DS2172TN	
DS2175	16-Pin DIP	0 to 70	DS2175	
	16-Pin DIP	-40 to +85	DS2175N	
	16-Pin SOIC	0 to 70	DS2175S	
	16-Pin SOIC	-40 to +85	DS2175SN	
DS2176	24-Pin DIP	0 to 70	DS2176	
	24-Pin DIP	-40 to +85	DS2176N	
	28-Pin PLCC	0 to 70	DS2176Q	
	28-Pin PLCC	-40 to +85	DS2176QN	
DS2180A	40-Pin DIP	0 to 70	DS2180A	
	40-Pin DIP	-40 to +85	DS2180AN	
	44-Pin PLCC	0 to 70	DS2180AQ	
	44-Pin PLCC	-40 to +85	DS2180AQN	
DS2181A	40-Pin DIP	0 to 70	DS2181A	
	40-Pin DIP	-40 to +85	DS2181AN	
	44-Pin PLCC	0 to 70	DS2181AQ	
	44-Pin PLCC	-40 to +85	DS2181AQN	
DS2182A	28-Pin DIP	0 to 70	DS2182A	
	28-Pin DIP	-40 to +85	DS2182AN	
	28-Pin PLCC	0 to 70	DS2182AQ	
	28-Pin PLCC	-40 to +85	DS2182AQN	
DS2186	20-Pin DIP	0 to 70	DS2186	
	20-Pin DIP	-40 to +85	DS2186N	
	20-Pin SOIC	0 to 70	DS2186S	
	20-Pin SOIC	-40 to +85	DS2186SN	
DS2187	18-Pin DIP	0 to 70	DS2187	
	20-Pin SOIC	0 to 70	DS2187S	
DS2188	16-Pin DIP	0 to 70	DS2188	

	16-Pin DIP	-40 to +85	DS2188N	
	16-Pin SOIC	0 to 70	DS2188S	
	16-Pin SOIC	-40 to +85	DS2188SN	
DS21FF42	300-Pin MCM BGA	0 to 70	DS21FF42	
	300-Pin MCM BGA	-40 to +85	DS21FF42N	
DS21FF44	300-Pin MCM BGA	0 to 70	DS21FF44	
	300-Pin MCM BGA	-40 to +85	DS21FF44N	
DS21FT40	300-Pin MCM BGA	0 to 70	DS21FT40	
	300-Pin MCM BGA	-40 to +85	DS21FT40N	
DS21FT42	300-Pin MCM BGA	0 to 70	DS21FT42	
	300-Pin MCM BGA	-40 to +85	DS21FT42N	
DS21FT44	300-Pin MCM BGA	0 to 70	DS21FT44	
	300-Pin MCM BGA	-40 to +85	DS21FT44N	
DS21Q352	256-Pin MCM BGA	0 to 70	DS21Q352	
	256-Pin MCM BGA	-40 to +85	DS21Q352N	
DS21Q354	256-Pin MCM BGA	0 to 70	DS21Q354	
	256-Pin MCM BGA	-40 to +85	DS21Q354N	
DS21Q41B	128-Pin TQFP	0 to 70	DS21Q41BT	
	128-Pin TQFP	-40 to +85	DS21Q41BTN	
DS21Q42	128-Pin TQFP	0 to 70	DS21Q42T	
	128-Pin TQFP	-40 to +85	DS21Q42TN	
DS21Q43A	128-Pin TQFP	0 to 70	DS21Q43AT	
	128-Pin TQFP	-40 to +85	DS21Q43ATN	
DS21Q44	128-Pin TQFP	0 to 70	DS21Q44T	
	128-Pin TQFP	-40 to +85	DS21Q44TN	
DS21Q48	144-Pin Quad BGA	0 to 70	DS21Q48	
	144-Pin Quad BGA	-40 to +85	DS21Q49	
DS21Q50	100-pin LQFP	0 to 70	DS21Q50L	
	100-pin LQFP	-40 to +85	DS21Q50LN	
	100-pin CSBGA	0 to 70	DS21Q50G	
	100-pin CSBGA	-40 to +85	DS21Q50GN	
DS21Q552	256-Pin MCM BGA	0 to 70	DS21Q552	
	256-Pin MCM BGA	-40 to +85	DS21Q552N	
DS21Q554	256-Pin MCM BGA	0 to 70	DS21Q554	
	256-Pin MCM BGA	-40 to +85	DS21Q554N	
DS21S07A	16-Pin SOIC (300 mil)	0 to 70	DS21S07AS	2% 9-line SE
	20-Pin TSSOP	0 to 70	DS21S07AE	2% 9-line SE SCSITerminator

DS21T05	16-Pin SOIC (150 mil)	0 to 70	DS21T05Z	5% 9-Channel SCSITerminator
DS21T06	28-PIN SOIC (300 mil)	0 to 70	DS21T06S	5% 18-Channel SCSITerminator
DS21T07	16-Pin SOIC (300 mil)	0 to 70	DS21T07S	5% 9-Channel SCSITerminator
	20-Pin TSSOP	0 to 70	DS21T07E	5% 9-Channel SCSITerminator
DS21T09	28-Pin SOIC (300 mil)	0 to 70	DS21T09S	2% 18-Channel Plug andPlay
DS21T11	28-Pin SOIC (300 mil)	0 to 70	DS21T11	2% 18-line SE TerminatorPD
DS21T16	20-Pin TSSOP	0 to 70	DS21T16	3.3V 9-Channel
DS2227	72-Pin SIMM	0 to 70	DS2227-120	120 ns
	72-Pin SIMM	0 to 70	DS2227-100	100 ns
	72-Pin SIMM	0 to 70	DS2227-70	70 ns
DS2229	80-Pin SIMM	0 to 70	DS2229-85	85 ns
DS229	20-Pin DIP	0 to 70	DS229	
	20-Pin SOIC	0 to 70	DS229S	
	20-Pin TSSOP	0 to 70	DS229E	
	20-Pin DIP	-40 to +85	DS229N	
	20-Pin SOIC	-40 to +85	DS229SN	
	20-Pin TSSOP	-40 to +85	DS229EN	
DS2250	40-Pin SIMM 8k bytes	0 to 70	DS2250-8-16	16 MHz
	40-Pin SIMM 32k bytes	0 to 70	DS2250-32-16	16 MHz
	40-Pin SIMM 64k bytes	0 to 70	DS2250-64-16	16 MHz
DS2250T	40-Pin SIMM 8k bytes	0 to 70	DS2250T-8-16	16 MHz w/RTC
	40-Pin SIMM 32k bytes	0 to 70	DS2250T-32-16	16 MHz w/RTC
	40-Pin SIMM 64k bytes	0 to 70	DS2250T-64-16	16 MHz w/RTC
DS2251T	72-Pin SIMM 32k bytes	0 to 70	DS2251T-32-16	16 MHz w/RTC
	72-Pin SIMM 64k bytes	0 to 70	DS2251T-64-16	16 MHz w/RTC
	72-Pin SIMM 128k bytes	0 to 70	DS2251T-128-16	16 MHz w/RTC
DS2252T	40-Pin SIMM 32k bytes	0 to 70	DS2252T-32-16	16 MHz w/RTC
	40-Pin SIMM 64k bytes	0 to 70	DS2252T-64-16	16 MHz w/RTC
	40-Pin SIMM 128k bytes	0 to 70	DS2252T-128-16	16 MHz w/RTC
DS232A	16-Pin DIP	0 to 70	DS232A	
	16-Pin DIP	-40 to +85	DS232A-N	
	20-Pin TSSOP	0 to 70	DS232AE	
	20-Pin TSSOP	-40 to +85	DS232AE-N	

	16-Pin SOIC (150-Mil)	0 to 70	DS232AR	
	16-Pin SOIC (150-Mil) T&R	0 to 70	DS232AR/T&R	
	16-Pin SOIC (150-Mil)	-40 to +85	DS232AR-N	
	16-Pin SOIC (150-Mil) T&R	-40 to +85	DS232AR-N/T&R	
	16-Pin SOIC (150-Mil)	0 to 70	DS232AS	
	16-Pin SOIC (150-Mil) T&R	0 to 70	DS232AS/T&R	
	16-Pin SOIC (150-Mil)	-40 to +85	DS232AS-N	
	16-Pin SOIC (150-Mil) T&R	-40 to +85	DS232AS-N/T&R	
DS2401	TO-92	-40 to +85	DS2401	
	TO-92/T&R	-40 to +85	DS2401/AMOPAK	
	TO-92/T&R	-40 to +85	DS2401/T&R	
	TO-92/T&R	-40 to +85	DS2401/T&R/SL	Straight Leads
	6-Lead TSOC	-40 to +85	DS2401P	
	6-Lead TSOC/T&R	-40 to +85	DS2401P/T&R	
	Chip Scale/T&R	-40 to +85	DS2401X1	
	SOT-223	-40 to +85	DS2401Z	
	SOT-223/T&R	-40 to +85	DS2401Z/T&R	
DS2404	16-Pin DIP	-40 to +85	DS2404-001	
	16-Pin SSOP	-40 to +85	DS2404B	
	16-Pin SSOP/T&R	-40 to +85	DS2404B/T&R	
	16-Pin SOIC	-40 to +85	DS2404-C01	Touch Pen (84/001)
	16-Pin SOIC	-40 to +85	DS2404S-001	
	16-Pin SSOP/T&R	-40 to +85	DS2404S-001/T&R	
	16-Pin SOIC	-40 to +85	DS2404-C01	Touch Pen (84/001)
DS2405	TO-92	-40 to +85	DS2405	
	TO-92/T&R	-40 to +85	DS2405/T&R	
	6-Lead TSOC	-40 to +85	DS2405P	
	6-Lead TSOC/T&R	-40 to +85	DS2405P/T&R	
	SOT-223	-40 to +85	DS2405Z	
	SOT-223/T&R	-40 to +85	DS2405Z/T&R	
DS2406	TO-92	-40 to +85	DS2406	
	TO-92/T&R	-40 to +85	DS2406/T&R	
	6-Lead TSOC	-40 to +85	DS2406P	
	6-Lead TSOC/T&R	-40 to +85	DS2406P/T&R	
	Chip Scale/T&R	-40 to +85	DS2406X	
DS2407	TO-92	-40 to +85	DS2407	Channel A Only
	6-Lead TSOC	-40 to +85	DS2407P	
DS2409	6-Lead TSOC	-40 to +85	DS2409P	

DS2415	6-Pin TSOC	-40 to +85	DS2415P	
	Flipchip	-40 to +85	DS2415X	
DS2417	6-Lead TSOC	-40 to +85	DS2417P	
	6-Lead TSOC/T&R	-40 to +85	DS2417P/T&R	
	Chip Scale/T&R	-40 to +85	DS2417X	
DS2423	6-Lead TSOC	-40 to +85	DS2423P	
	6-Lead TSOC/T&R	-40 to +85	DS2423P/T&R	
	Chip Scale/T&R	-40 to +85	DS2423X	
DS2430A	TO-92	-40 to +85	DS2430A	
	TO-92/T&R	-40 to +85	DS2430A/T&R	
	6-Lead TSOC	-40 to +85	DS2430AP	
	6-Lead TSOC/T&R	-40 to +85	DS2430AP/T&R	
	Chip Scale/T&R	-40 to +85	DS2430AX	
DS2433	PR-35	-40 to +85	DS2433	
	PR-35/T&R	-40 to +85	DS2433/T&R	
	8-Pin SOIC	-40 to +85	DS2433S	
	8-Pin SOIC/T&R	-40 to +85	DS2433S/T&R	
	Chip Scale/T&R	-40 to +85	DS2433X	
DS2433-Z01	8-Pin SOIC	DS2433S-Z01	10k write cycles	
	8-Pin SOIC/T&R	DS2433S-Z01/T&R	10k write cycles	
	Chip Scale/T&R	DS2433X-Z01	10k write cycles	
	PR-35	DS2433-Z01	10k write cycles	
	PR-35/T&R	DS2433-Z01/T&R	10k write cycles	
DS2434	PR-35	-40 to +85	DS2434	
DS2434S	16-Pin SSOP	-40 to +85	DS2434S	
DS2435	PR-35	-40 to +85	DS2435	
DS2435S	16-Pin SSOP	-40 to +85	DS2435S	
DS2436	PR-35	-40 to +85	DS2436	
DS2437	16-Pin SSOP	-40 to +85	DS2437	
	16-Pin SSOP	-40 to +85	DS2437S	
DS2438	8-Pin SOIC	-40 to +85	DS2438Z	
DS2441	Flipchip	-40 to +85	DS2441X	
	8-Pin SOIC	-40 to +85	DS2441Z	
DS2442	Flipchip	-40 to +85	DS2442X	
	8-Pin SOIC	-40 to +85	DS2442Z	
DS2450	8-Pin SOIC	-40 to +85	DS2450S	
	8-Pin SOIC/T&R	-40 to +85	DS2450S/T&R	
DS2450K	Kit		DS2450K	DS2450 Development Kit
DS2480	8-Pin SOIC	-40 to +85	DS2480S	

DS2480B	8-Pin SOIC	-40 to +85	DS2480B	
	8-Pin SOIC/T&R	-40 to +85	DS2480B/T&R	
DS2490	24-Pin SOIC	0 to 70	DS2490S	
	24-Pin SOIC/T&R	0 to 70	DS2490S/T&R	
DS2502	TO-92	-40 to +85	DS2502	
	6-Pin TSOC	-40 to +85	DS2502P	
	8-Pin SOIC	-40 to +85	DS2502S	
DS2502-UNW	TO-92	-40 to +85	DS2502-UNW-PPPP	
	6-Pin TSOC	-40 to +85	DS2502P-UNW-PPPP	
	8-Pin SOIC	-40 to +85	DS2502S-UNW-PPPP	
DS2502-E64	TO-92	-40 to +85	DS2502-E64	IEEE EUI-64 Node ID
	6-Pin TSOC	-40 to +85	DS2502P-E64	IEEE EUI-64 Node ID
DS2505	TO-92	-40 to +85	DS2505	
DS2506	6-Pin TSOC	-40 to +85	DS2505P	
	PR-35	-40 to +85	DS2506	
DS275	8-Pin SOIC	-40 to +85	DS2506S	
	8-Pin DIP	0 to 70	DS275	
DS276	8-Pin DIP	-40 to +85	DS275-N	
	14-Pin TSSOP	0 to 70	DS275E	
	14-Pin TSSOP T&R	0 to 70	DS275E/T&R	
	14-Pin TSSOP	-40 to +85	DS275E-N	
	8-Pin SOIC	0 to 70	DS275S	
	8-Pin SOIC T&R	0 to 70	DS275S/T&R	
	8-Pin DIP	0 to 70	DS276	
	8-Pin TSSOP	0 to 70	DS276E	
	8-Pin SOIC	0 to 70	DS276S	
	8-Pin SOIC T&R	0 to 70	DS276S/T&R	
	8-Pin SOIC	0 to 70	DS276SN	
DS2760	8-Pin SOIC T&R	0 to 70	DS276SN/T&R	
	16-Pin TSSOP	-40 to +85	DS2760E	
	16-Pin TSSOP	-40 to +85	DS2760E-025	Integrated 25mOhm Rsense
DS2890	Flipchip	-40 to +85	DS2760X	
	Flipchip	-40 to +85	DS2760X-025	Integrated 25mOhm Rsense
	TO-92	-40 to +85	DS2890	
	TO-92/T&R	-40 to +85	DS2890/T&R	
	6-Lead TSOC	-40 to +85	DS2890P	
	6-Lead TSOC/T&R	-40 to +85	DS2890P/T&R	
	Chip Scale/T&R	-40 to +85	DS2890X	

DS32KHz	36-Pin BGA	0 to 70	DS32KHz/BGA	
	14-Pin Encap. DIP	0 to 70	DS32KHz/DIP	
	36-Pin BGA	-40 to +85	DS32KHzN/BGA	
	14-Pin Encap. DIP	-40 to +85	DS32KHzN/DIP	
DS3800	Battery Cap	-40 to +85	DS3800	
DS4201	28-Pin DIP	0 to 70	DS4201	
	44-Pin QFP	0 to 70	DS4201F	
DS4802	8-Pin DIP		DS4802	
	8-Pin SOIC		DS4802S	
	8-Pin uSOP		DS4802U	
	8-bump Flip-Chip		DS4802X	
DS4812	8-Pin DIP		DS4812	
	8-Pin SOIC		DS4812S	
	8-Pin uSOP		DS4812U	
	8-bump Flip-Chip		DS4812X	
DS5000	40-Pin Module 8k bytes	0 to 70	DS5000-8-16	16 MHz
	40-Pin Module 32k bytes	0 to 70	DS5000-32-16	16 MHz
DS5000T	40-Pin Module 8k bytes	0 to 70	DS5000T-8-16	16 MHz w/RTC
	40-Pin Module 32k bytes	0 to 70	DS5000T-32-16	16 MHz w/RTC
DS5000FP	80-Pin TQFP	0 to 70	DS5000FP-16	
DS5001FP	80-Pin TQFP	0 to 70	DS5001FP-16	
DS5002FPM	80-Pin TQFP	0 to 70	DS5002FPM-16	
DS56	8-Pin SOIC	-40 to +125	DS56S	
	8-Pin uSOP	-40 to +125	DS56U	
	Flipchip	-40 to +125	DS56X	
DS60	3-Pin SOT23	-40 to +125	DS60R	
	Flipchip	-40 to +125	DS60X	
DS75	8-Pin SOIC	-55 to +125	DS75S	
	8-Pin uSOP	-55 to +125	DS75U	
	Flipchip	-55 to +125	DS75X	
DS80C310	40-Pin PDIP	0 to 70	DS80C310-MCG	25 MHz
	44-Pin PLCC	0 to 70	DS80C310-QCG	25 MHz
	44-Pin TQFP	0 to 70	DS80C310-ECG	25 MHz
DS80C320	40-Pin PDIP	0 to 70	DS80C320-MCG	25 MHz
	44-Pin PLCC	0 to 70	DS80C320-QCG	25 MHz
	44-Pin TQFP	0 to 70	DS80C320-ECG	
	40-Pin PDIP	-40 to +85	DS80C320-MCG	
	44-Pin PLCC	-40 to +85	DS80C320-QNG	
	44-Pin TQFP	-40 to +85	DS80C320-ENG	
	40-Pin PDIP	0 to 70	DS80C320-MCL	

	44-Pin PLCC	0 to 70	DS80C320-QCL	
	44-Pin TQFP	0 to 70	DS80C320-ECL	
	40-Pin PDIP	-40 to +85	DS80C320-MNL	
	44-Pin PLCC	-40 to +85	DS80C320-QNL	
	44-Pin TQFP	-40 to +85	DS80C320-ENL	
DS80C323	40-Pin DIP	0 to 70	DS80C323-MCD	18 MHz
	44-Pin PLCC	0 to 70	DS80C323-QCD	18 MHz
	44-Pin TQFP	0 to 70	DS80C323-ECD	18 MHz
DS80C390	64-Pin LQFP	0 to 70	DS80C390-FCR	40 MHz
	64-Pin LQFP	-40 to +85	DS80C390-FNR	40 MHz
	68-Pin PLCC	0 to 70	DS80C390-QCR	40 MHz
	68-Pin PLCC	-40 to +85	DS80C390-QNR	40 MHz
DS80CH11	128-Pin TQFP	0 to 70	DS80CH11-E02	
DS83C520	40-Pin PDIP	0 to 70	DS83C520-MCL*	
	44-Pin PLCC	0 to 70	DS83C520-QCL*	
	44-Pin TQFP	0 to 70	DS83C520-ECL*	
	40-Pin PDIP	-40 to +85	DS83C520-MNL*	
	44-Pin PLCC	-40 to +85	DS83C520-QNL*	
	44-Pin TQFP	-40 to +85	DS83C520-ENL*	
DS87C520	40-Pin PDIP	0 to 70	DS87C520-MCL	
	44-Pin PLCC	0 to 70	DS87C520-QCL	
	44-Pin TQFP	0 to 70	DS87C520-ECL	
	40-Pin PDIP	-40 to +85	DS87C520-MNL	
	44-Pin PLCC	-40 to +85	DS87C520-QNL	
	44-Pin TQFP	-40 to +85	DS87C520-ENL	
	40-Pin Windowed	0 to 70	DS87C520-WCL	
DS87C530	52-Pin PLCC	0 to 70	DS87C530-QCL	33 MHz
	52-Pin PLCC	-40 to +85	DS87C530-QNL	33 MHz
	52-Pin TQFP	0 to 70	DS87C530-ECL	33 MHz
	52-Pin TQFP	-40 to +85	DS87C530-ENL	33 MHz
	52-Pin Windowed	0 to 70	DS87C530-KCL	33 MHz
DS87C550	80-Pin PQFP	0 to 70	DS877C550-FCL	33 MHz
	80-Pin PQFP	-40 to +85	DS877C550-FNL	33 MHz
	68-Pin Windowed CLCC	0 to 70	DS877C550-KCL	33 MHz
	68-Pin PLCC	0 to 70	DS877C550-QCL	33 MHz
	68-Pin PLCC	-40 to +85	DS877C550-QNL	33 MHz
DS9000			DS9000	
DS9002			DS9002	
DS9003			DS9003	

DS9034PC	PowerCap	-40 to +85	DS9034PC	For NV SRAM
DS9034PCX	PowerCap	0 to 70	DS9034PCX	For Timekeepers
DS9091K	Kit		DS9091K	Windows 3.1
DS9092			DS9092	Panel-mount Probe
			DS9092T	Panel-mount Probe with Tactile Feedback
			DS9092GT	Hand-Grip Probe with Tactile Feedback
DS9092K	Kit		DS9092K	Starter Kit, DOS, W31, W95/NT
DS9092R	Tabbed MicroCan		DS9092R	No Groove
DS9093A	Tabbed MicroCan		DS9092RG	With Groove
			DS9093A	Black
			DS9093AB	Blue
			DS9093AG	Green
			DS9093AR	Red
			DS9093AY	Yellow
DS9093F			DS9093F	Black
DS9093N			DS9093N	Black
DS9093P			DS9093P	1 Pin, 1 Hole
DS9093S			DS9093S	2 Holes
DS9093RA			DS9093RA	Lock Ring
DS9093RB			DS9093RB	Flange Enlargement
DS9094F			DS9094F	Through Mount, F5
			DS9094FS	Surface Mount, F5
DS9096P			DS9096P	Permanent Bond
DS9097	Adapter DB-9	0 to 70	DS9097	Standard
	Adapter DB-25	0 to 70	DS9097E	EPR0M Upgraded
DS9097U	Adapter	0 to 70	DS9097U-009	With No.
	DB-9	0 to 70	DS9097U-S09	Without No.
DS9098			DS9098	Surface Mount, F5
DS9100			DS9100-A	Ground Contact
			DS9100-B	Data Contact Cantilever
			DS9100-C	Data Contact Spring Assembly
DS9101			DS9101	For F5 MicroCan
DS9502	6-Pin TSOC	-40 to +85	DS9502P	
DS9503	6-Pin TSOC	-40 to +85	DS9503P	



[WHAT'S NEW](#) [PRODUCTS](#) [SOLUTIONS](#) [DESIGN](#) [APPNOTES](#) [SUPPORT](#) [BUY](#) [COMPANY](#) [MEMBERS](#)

DS1135L

Part Number Table

Notes:

1. See the [DS1135L QuickView Data Sheet](#) for further information on this product family or download the [DS1135L full data sheet](#) (PDF, 144kB).
2. Other options and links for purchasing parts are listed at: <http://www.maxim-ic.com/sales>.
3. [Didn't Find What You Need?](#) Ask our applications engineers. Expert assistance in finding parts, usually within one business day.
4. Part number suffixes: T or T&R = tape and reel; + = RoHS/lead-free; # = RoHS/lead-exempt. More: See [full data sheet](#) or [Part Naming Conventions](#).
5. * Some packages have variations, listed on the drawing. "PkgCode/Variation" tells which variation the product uses.

Part Number	Free Sample	Buy Direct	Package: TYPE PINS SIZE DRAWING CODE/VAR *	Temp	RoHS/Lead-Free? Materials Analysis
DS1135LZ-30/T&R		<input type="button" value="Buy"/>	SOIC;8 pin;150 Dwg: 56-G2008-001C (PDF) Use pkgcode/variation: S8-4*	-40°C to +85°C	RoHS/Lead-Free: No Materials Analysis
DS1135LZ-30+T&R		<input type="button" value="Buy"/>	SOIC;8 pin;150 Dwg: 56-G2008-001C (PDF) Use pkgcode/variation: S8+2*	-40°C to +85°C	RoHS/Lead-Free: Yes Materials Analysis
DS1135LZ-25/T&R		<input type="button" value="Buy"/>	SOIC;8 pin;150 Dwg: 56-G2008-001C (PDF) Use pkgcode/variation: S8-4*	-40°C to +85°C	RoHS/Lead-Free: No Materials Analysis
DS1135LZ-25+T&R		<input type="button" value="Buy"/>	SOIC;8 pin;150 Dwg: 56-G2008-001C (PDF) Use pkgcode/variation: S8+2*	-40°C to +85°C	RoHS/Lead-Free: Yes Materials Analysis
DS1135LZ-20+T&R		<input type="button" value="Buy"/>	SOIC;8 pin;150 Dwg: 56-G2008-001C (PDF) Use pkgcode/variation: S8+2*	-40°C to +85°C	RoHS/Lead-Free: Yes Materials Analysis
DS1135LZ-15+T&R		<input type="button" value="Buy"/>	SOIC;8 pin;150 Dwg: 56-G2008-001C (PDF)	-40°C to +85°C	RoHS/Lead-Free: Yes

DS1135LZ-10+T&R	<input type="button" value="Buy"/>	Use pkgcode/variation: S8+2*			Materials Analysis
		SOIC;8 pin;150 Dwg: 56-G2008-001C (PDF)		-40°C to +85°C	RoHS/Lead-Free: Yes
DS1135LZ-30+	<input type="button" value="Sample"/>	<input type="button" value="Buy"/>	Use pkgcode/variation: S8+2*		Materials Analysis
		SOIC;8 pin;150 Dwg: 56-G2008-001C (PDF)		-40°C to +85°C	RoHS/Lead-Free: Yes
DS1135LZ-25+	<input type="button" value="Sample"/>	<input type="button" value="Buy"/>	Use pkgcode/variation: S8+2*		Materials Analysis
		SOIC;8 pin;150 Dwg: 56-G2008-001C (PDF)		-40°C to +85°C	RoHS/Lead-Free: Yes
DS1135LZ-20+	<input type="button" value="Sample"/>	<input type="button" value="Buy"/>	Use pkgcode/variation: S8+2*		Materials Analysis
		SOIC;8 pin;150 Dwg: 56-G2008-001C (PDF)		-40°C to +85°C	RoHS/Lead-Free: Yes
DS1135LZ-15+	<input type="button" value="Sample"/>	<input type="button" value="Buy"/>	Use pkgcode/variation: S8+2*		Materials Analysis
		SOIC;8 pin;150 Dwg: 56-G2008-001C (PDF)		-40°C to +85°C	RoHS/Lead-Free: Yes
DS1135LZ-10+	<input type="button" value="Sample"/>	<input type="button" value="Buy"/>	Use pkgcode/variation: S8+2*		Materials Analysis
		SOIC;8 pin;150 Dwg: 56-G2008-001C (PDF)		-40°C to +85°C	RoHS/Lead-Free: Yes
DS1135LZ-30	<input type="button" value="Sample"/>	<input type="button" value="Buy"/>	Use pkgcode/variation: S8-4*		Materials Analysis
		SOIC;8 pin;150 Dwg: 56-G2008-001C (PDF)		-40°C to +85°C	RoHS/Lead-Free: No
DS1135LZ-25	<input type="button" value="Sample"/>	<input type="button" value="Buy"/>	Use pkgcode/variation: S8-4*		Materials Analysis
		SOIC;8 pin;150 Dwg: 56-G2008-001C (PDF)		-40°C to +85°C	RoHS/Lead-Free: No
DS1135LZ-20	<input type="button" value="Sample"/>	<input type="button" value="Buy"/>	Use pkgcode/variation: S8-2*		Materials Analysis
		SOIC;8 pin;150 Dwg: 56-G2008-001C (PDF)		-40°C to +85°C	RoHS/Lead-Free: No
DS1135LZ-15	<input type="button" value="Sample"/>	<input type="button" value="Buy"/>	Use pkgcode/variation: S8-2*		Materials Analysis
		SOIC;8 pin;150 Dwg: 56-G2008-001C (PDF)		-40°C to +85°C	RoHS/Lead-Free: No
DS1135LZ-12	<input type="button" value="Sample"/>	<input type="button" value="Buy"/>	Use pkgcode/variation: S8-2*		Materials Analysis
		SOIC;8 pin;150 Dwg: 56-G2008-001C (PDF)		-40°C to +85°C	RoHS/Lead-Free: No
DS1135LZ-10	<input type="button" value="Sample"/>	<input type="button" value="Buy"/>	Use pkgcode/variation: S8-2*		Materials Analysis
		SOIC;8 pin;150 Dwg: 56-G2008-001C (PDF)		-40°C to +85°C	RoHS/Lead-Free: No
DS1135LZ-12+	<input type="button" value="Sample"/>	<input type="button" value="Buy"/>	Use pkgcode/variation: S8+2*		Materials Analysis
		SOIC;8 pin;150 Dwg: 56-G2008-001C (PDF)		-40°C to +85°C	RoHS/Lead-Free: Yes
DS1135LU-10/T&R	<input type="button" value="Buy"/>	uSOP;8 pin;118 Dwg: 21-0036J (PDF)	Use pkgcode/variation: U8-1*		Materials Analysis
				-40°C to +85°C	RoHS/Lead-Free: No

DS1135LU-20/T&R	Buy	uSOP;8 pin;118 Dwg: 21-0036J (PDF) Use pkgcode/variation: U8-1*	-40°C to +85°C	RoHS/Lead-Free: No Materials Analysis	
DS1135LU-25/T&R	Buy	uSOP;8 pin;118 Dwg: 21-0036J (PDF) Use pkgcode/variation: U8-1*	-40°C to +85°C	RoHS/Lead-Free: No Materials Analysis	
DS1135LU-30/T&R	Buy	uSOP;8 pin;118 Dwg: 21-0036J (PDF) Use pkgcode/variation: U8-1*	-40°C to +85°C	RoHS/Lead-Free: No Materials Analysis	
DS1135LU-8	Buy	uSOP;8 pin;118 Dwg: 21-0036J (PDF) Use pkgcode/variation: U8-1*	-40°C to +85°C	RoHS/Lead-Free: No Materials Analysis	
DS1135LU-12/T&R	Buy	uSOP;8 pin;118 Dwg: 21-0036J (PDF) Use pkgcode/variation: U8-1*	-40°C to +85°C	RoHS/Lead-Free: No Materials Analysis	
DS1135LU-25+	Sample	Buy	uSOP;8 pin;118 Dwg: 21-0036J (PDF) Use pkgcode/variation: U8+1*	-40°C to +85°C	RoHS/Lead-Free: Yes Materials Analysis
DS1135LU-12	Sample	Buy	uSOP;8 pin;118 Dwg: 21-0036J (PDF) Use pkgcode/variation: U8-1*	-40°C to +85°C	RoHS/Lead-Free: No Materials Analysis
DS1135LU-15	Sample	Buy	uSOP;8 pin;118 Dwg: 21-0036J (PDF) Use pkgcode/variation: U8-1*	-40°C to +85°C	RoHS/Lead-Free: No Materials Analysis
DS1135LU-20	Sample	Buy	uSOP;8 pin;118 Dwg: 21-0036J (PDF) Use pkgcode/variation: U8-1*	-40°C to +85°C	RoHS/Lead-Free: No Materials Analysis
DS1135LU-25	Sample	Buy	uSOP;8 pin;118 Dwg: 21-0036J (PDF) Use pkgcode/variation: U8-1*	-40°C to +85°C	RoHS/Lead-Free: No Materials Analysis
DS1135LU-30	Sample	Buy	uSOP;8 pin;118 Dwg: 21-0036J (PDF) Use pkgcode/variation: U8-1*	-40°C to +85°C	RoHS/Lead-Free: No Materials Analysis
DS1135LU-10+	Sample	Buy	uSOP;8 pin;118 Dwg: 21-0036J (PDF) Use pkgcode/variation: U8+1*	-40°C to +85°C	RoHS/Lead-Free: Yes Materials Analysis
DS1135LU-12+	Sample	Buy	uSOP;8 pin;118 Dwg: 21-0036J (PDF) Use pkgcode/variation: U8+1*	-40°C to +85°C	RoHS/Lead-Free: Yes Materials Analysis
DS1135LU-15+	Sample	Buy	uSOP;8 pin;118 Dwg: 21-0036J (PDF) Use pkgcode/variation: U8+1*	-40°C to +85°C	RoHS/Lead-Free: Yes Materials Analysis
DS1135LU-20+			uSOP;8 pin;118	-40°C to +85°C	RoHS/Lead-Free: Yes

	Sample	Buy	Dwg: 21-0036J (PDF) Use pkgcode/variation: U8+1*	Materials Analysis
DS1135LU-10	Sample	Buy	uSOP;8 pin;118 Dwg: 21-0036J (PDF) Use pkgcode/variation: U8-1*	-40°C to +85°C RoHS/Lead-Free: No Materials Analysis

[Didn't Find What You Need?](#)

[CONTACT US: SEND US AN EMAIL](#)

Copyright © 2007 by Maxim Integrated Products, Dallas Semiconductor • [Legal Notices](#) • [Privacy Policy](#)