

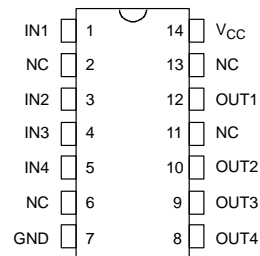
DALLAS
SEMICONDUCTOR

DS1044 4-in-1 High-Speed Silicon Delay Line

FEATURES

- All-silicon timing circuit
- Four independent buffered delays
- Initial delay tolerance ± 1.5 ns
- Stable and precise over temperature and voltage
- Leading and trailing edge precision preserves the input symmetry
- Standard 14-pin DIP, 14-pin SOIC (150 mil)
- Vapor phase, IR and wave solderable
- Available in Tape and Reel

PIN ASSIGNMENT



DS1044 14-PIN DIP
DS1044R 14-PIN SOIC (150 MIL)
See Mech. Drawings
Section

PIN DESCRIPTION

IN1-IN4	- Input Signals
OUT1-OUT4	- Output Signals
NC	- No Connection
V _{CC}	- +5 Volt Supply
GND	- Ground

DESCRIPTION

The DS1044 series is a 4-in-1 version of the low-power, +5 Volt, high speed, DS1035.

The DS1044 series of delay lines have four independent logic buffered delays in a single package. The device is Dallas Semiconductor's fastest 4-in-1 delay line. It is available in a standard 14-pin DIP and 14-pin SOIC.

The device features precise leading and trailing edge accuracies. It has the inherent reliability of an all-silicon

delay line solution. The DS1044's nominal tolerance is ± 1.5 ns and an additional tolerance over temperature and voltage of ± 1.0 ns for the faster delays. Each output is capable of driving up to 10 LS loads.

Standard delay values are indicated in Table 1. Customers may contact Dallas Semiconductor at (972) 371-4348 for further information.

LOGIC DIAGRAM Figure 1

ONE OF FOUR

PART NUMBER DELAY TABLE (t_{PLH} , t_{PHL}) Table 1

PART NUMBER	DELAY PER OUTPUT (ns)	INITIAL TOLERANCE	TOLERANCE OVER (temp and voltage)
DS1044-5	5	±1.5 ns	±1.0 ns
DS1044-6	6	±1.5 ns	±1.0 ns
DS1044-7	7	±1.5 ns	±1.0 ns
DS1044-8	8	±1.5 ns	±1.0 ns
DS1044-10	10	±1.5 ns	±1.0 ns
DS1044-12	12	±1.5 ns	±1.0 ns
DS1044-14	14	±1.5 ns	±1.5 ns
DS1044-18	18	±1.5 ns	±1.5 ns
DS1044-20	20	±1.5 ns	±1.5 ns
DS1044-25	25	±2.0 ns	±1.5 ns

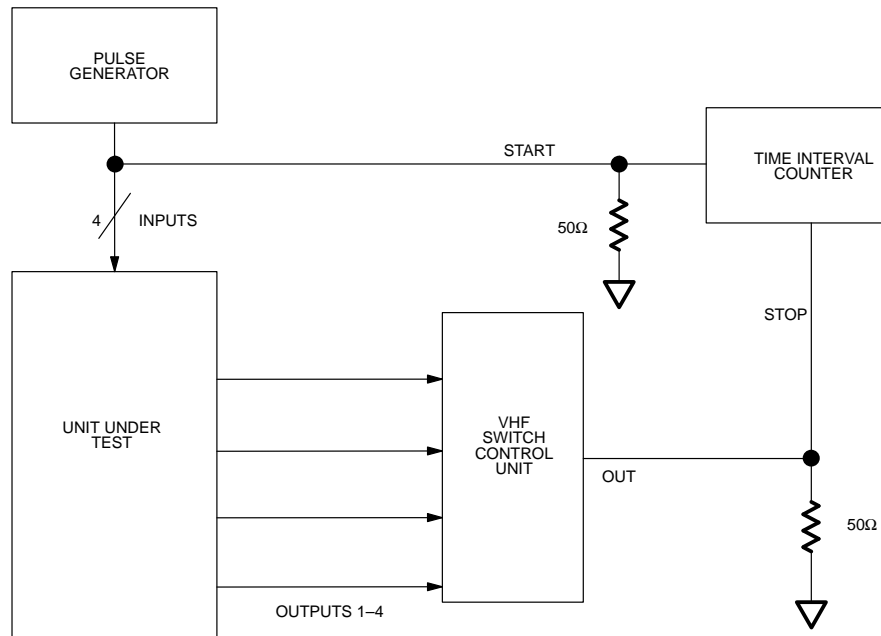
NOTES:

1. Nominal conditions are +25°C and $V_{CC}=+5.0$ volts.
2. Temperature range of 0°C to 70°C and voltage range of 4.75 volts to 5.25 volts.
3. Delay accuracy are for both leading and trailing edges.

TEST SETUP DESCRIPTION

Figure 2 illustrates the hardware configuration used for measuring the timing parameters of the DS1044. The input waveform is produced by a precision pulse generator under software control. Time delays are measured by a time interval counter (20 ps resolution) connected

to the output. The DS1044 output taps are selected and connected to the interval counter by a VHF switch control unit. All measurements are fully automated with each instrument controlled by the computer over an IEEE 488 bus.

DS1044 TEST CIRCUIT Figure 2

ABSOLUTE MAXIMUM RATINGS*

Voltage on Any Pin Relative to Ground	-1.0V to +7.0V
Operating Temperature	0°C to 70°C
Storage Temperature	-55°C to +125°C
Soldering Temperature	260°C for 10 seconds
Short Circuit Output Current	50 mA for 1 second

* This is a stress rating only and functional operation of the device at these or any other conditions above those indicated in the operation sections of this specification is not implied. Exposure to absolute maximum rating conditions for extended periods of time may affect reliability.

DC ELECTRICAL CHARACTERISTICS(0°C to 70°C; $V_{CC}=+5V \pm 5\%$)

PARAMETER	SYMBOL	TEST CONDITION	MIN	TYP	MAX	UNITS
Supply Voltage	V_{CC}		4.75	5.00	5.25	V
Active Current	I_{CC}	$V_{CC}=5.25V$ Period=1 μ s			45	mA
High Level Input Voltage	V_{IH}		2.2		$V_{CC}+0.5$	V
Low Level Input Voltage	V_{IL}		-0.5		0.8	V
Input Leakage	I_L	$0V \leq V_I \leq V_{CC}$	-1.0		1.0	μ A
High Level Output Current	I_{OH}	$V_{CC}=4.75V$ $V_{OH}=4V$			-1.0	mA
Low Level Output Current	I_{OL}	$V_{CC}=4.75V$ $V_{OL}=0.5V$	12			mA

AC ELECTRICAL CHARACTERISTICS(+25°C; $V_{CC}=5V \pm 5\%$)

PARAMETER	SYMBOL	MIN	TYP	MAX	UNITS	NOTES
Period	t_{PERIOD}	2 (t_{WI})			ns	3
Input Pulse Width	t_{WI}	100% of Tap Delay			ns	3
Input-to-Tap Output Delay	t_{PLH} , t_{PHL}		Table 1		ns	
Output Rise or Fall Time	t_{OR} , t_{OF}		2.0	2.5	ns	
Power-up Time	t_{PU}			100	ms	

CAPACITANCE($t_A=25^\circ C$)

PARAMETER	SYMBOL	MIN	TYP	MAX	UNITS	NOTES
Input Capacitance	C_{IN}			10	pF	

TEST CONDITIONSAmbient Temperature: $25^{\circ}\text{C} \pm 3^{\circ}\text{C}$ Supply Voltage (V_{CC}): $5.0\text{V} \pm 0.1\text{V}$

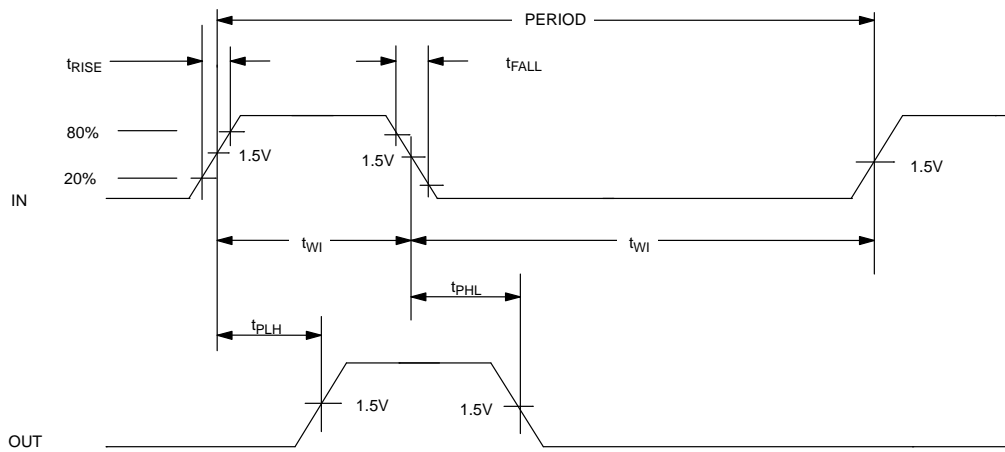
Input Pulse:

High: $3.0\text{V} \pm 0.1\text{V}$ Low: $0.0\text{V} \pm 0.1\text{V}$ Source Impedance: 50Ω Max.Rise and Fall Time: 3.0 ns Max. – Measured between 0.6V and 2.4V .Pulse Width: 500 ns Pulse Period: $1\ \mu\text{s}$ Output Load Capacitance: 15 pF

Output: Each output is loaded with the equivalent of one 74F04 input gate.

Data is measured at the 1.5V level on the rising and falling edges.

Note: The above conditions are for test only and do not restrict the devices under other data sheet conditions.

TIMING DIAGRAM**NOTES:**

1. All voltages are referenced to ground.
2. @ $V_{\text{CC}}=5\text{ volts}$ and 25°C , delay accuracy on both the rising and falling edges within tolerances given in Table 1.
3. Pulse width and duty cycle specifications may be exceeded, however, accuracy will be application sensitive with respect to de-coupling, layout, etc.

TERMINOLOGY

Period: The time elapsed between the leading edge of the first pulse and the leading edge of the following pulse.

t_{WI} (Pulse Width): The elapsed time on the pulse between the 1.5 volt point on the leading edge and the 1.5 volt point on the trailing edge or the 1.5 volt point on the trailing edge and the 1.5 volt point on the leading edge.

t_{RISE} (Input Rise Time): The elapsed time between the 20% and the 80% point on the leading edge of the input pulse.

t_{FALL} (Input Fall Time): The elapsed time between the 80% and the 20% point on the trailing edge on the input pulse.

t_{PLH} (Time Delay, Rising): The elapsed time between the 1.5 volt point on the leading edge of the input pulse and the 1.5 volt point on the leading edge of the output pulse.

t_{PHL} (Time Delay, Falling): The elapsed time between the 1.5 volt point on the falling edge of the input pulse and the 1.5 volt point on the falling edge of the output pulse.



[DS1044](#)

Part Number Table

Notes:

1. See the [DS1044 QuickView Data Sheet](#) for further information on this product family or download the [DS1044 full data sheet](#) (PDF, 36kB).
2. Other options and links for purchasing parts are listed at: <http://www.maxim-ic.com/sales>.
3. [Didn't Find What You Need?](#) Ask our applications engineers. Expert assistance in finding parts, usually within one business day.
4. Part number suffixes: T or T&R = tape and reel; + = RoHS/lead-free; # = RoHS/lead-exempt. More: See [full data sheet](#) or [Part Naming Conventions](#).
5. * Some packages have variations, listed on the drawing. "PkgCode/Variation" tells which variation the product uses.

Part Number	Free Sample	Buy Direct	Package: TYPE PINS SIZE DRAWING CODE/VAR *	Temp	RoHS/Lead-Free? Materials Analysis
DS1044-18			PDIP;14 pin;300 Dwg: 56-G5005-001A (PDF) Use pkgcode/variation: P14-4*	0C to +70C	RoHS/Lead-Free: No Materials Analysis
DS1044-25			PDIP;14 pin;300 Dwg: 56-G5005-001A (PDF) Use pkgcode/variation: P14-4*	0C to +70C	RoHS/Lead-Free: No Materials Analysis
DS1044-20			PDIP;14 pin;300 Dwg: 56-G5005-001A (PDF) Use pkgcode/variation: P14-4*	0C to +70C	RoHS/Lead-Free: No Materials Analysis

DS1044-14	PDIP;14 pin;300 Dwg: 56-G5005-001A (PDF) Use pkgcode/variation: P14-4*	0C to +70C RoHS/Lead-Free: No Materials Analysis
DS1044-12	PDIP;14 pin;300 Dwg: 56-G5005-001A (PDF) Use pkgcode/variation: P14-4*	0C to +70C RoHS/Lead-Free: No Materials Analysis
DS1044-10	PDIP;14 pin;300 Dwg: 56-G5005-001A (PDF) Use pkgcode/variation: P14-4*	0C to +70C RoHS/Lead-Free: No Materials Analysis
DS1044-8	PDIP;14 pin;300 Dwg: 56-G5005-001A (PDF) Use pkgcode/variation: P14-4*	0C to +70C RoHS/Lead-Free: No Materials Analysis
DS1044-7	PDIP;14 pin;300 Dwg: 56-G5005-001A (PDF) Use pkgcode/variation: P14-4*	0C to +70C RoHS/Lead-Free: No Materials Analysis
DS1044-6	PDIP;14 pin;300 Dwg: 56-G5005-001A (PDF) Use pkgcode/variation: P14-4*	0C to +70C RoHS/Lead-Free: No Materials Analysis
DS1044-5	PDIP;14 pin;300 Dwg: 56-G5005-001A (PDF) Use pkgcode/variation: P14-4*	0C to +70C RoHS/Lead-Free: No Materials Analysis
DS1044R-6/T&R	SOIC;14 pin;150 Dwg: 56-G2008-001C (PDF) Use pkgcode/variation: S14-1*	0C to +70C RoHS/Lead-Free: No Materials Analysis
DS1044R-10+	SOIC;14 pin;150 Dwg: 56-G2008-001C (PDF) Use pkgcode/variation: S14+1*	0C to +70C RoHS/Lead-Free: Yes Materials Analysis
DS1044R-20/T&R	SOIC;14 pin;150 Dwg: 56-G2008-001C (PDF) Use pkgcode/variation: S14-1*	0C to +70C RoHS/Lead-Free: No Materials Analysis
DS1044R-5/T&R	SOIC;14 pin;150 Dwg: 56-G2008-001C (PDF) Use pkgcode/variation: S14-1*	0C to +70C RoHS/Lead-Free: No Materials Analysis

DS1044R-18/T&R	SOIC;14 pin;150 Dwg: 56-G2008-001C (PDF) Use pkgcode/variation: S14-1*	0C to +70C RoHS/Lead-Free: No Materials Analysis
DS1044R-14/T&R	SOIC;14 pin;150 Dwg: 56-G2008-001C (PDF) Use pkgcode/variation: S14-1*	0C to +70C RoHS/Lead-Free: No Materials Analysis
DS1044R-12/T&R	SOIC;14 pin;150 Dwg: 56-G2008-001C (PDF) Use pkgcode/variation: S14-1*	0C to +70C RoHS/Lead-Free: No Materials Analysis
DS1044R-8/T&R	SOIC;14 pin;150 Dwg: 56-G2008-001C (PDF) Use pkgcode/variation: S14-1*	0C to +70C RoHS/Lead-Free: No Materials Analysis
DS1044R-7/T&R	SOIC;14 pin;150 Dwg: 56-G2008-001C (PDF) Use pkgcode/variation: S14-1*	0C to +70C RoHS/Lead-Free: No Materials Analysis
DS1044R-8	SOIC;14 pin;150 Dwg: 56-G2008-001C (PDF) Use pkgcode/variation: S14-1*	0C to +70C RoHS/Lead-Free: No Materials Analysis
DS1044R-6	SOIC;14 pin;150 Dwg: 56-G2008-001C (PDF) Use pkgcode/variation: S14-1*	0C to +70C RoHS/Lead-Free: No Materials Analysis
DS1044R-25/T&R/	SOIC;14 pin;150 Dwg: 56-G2008-001C (PDF) Use pkgcode/variation: S14-1*	0C to +70C RoHS/Lead-Free: No Materials Analysis
DS1044R-10+T&R	SOIC;14 pin;150 Dwg: 56-G2008-001C (PDF) Use pkgcode/variation: S14+1*	0C to +70C RoHS/Lead-Free: Yes Materials Analysis
DS1044R-7	SOIC;14 pin;150 Dwg: 56-G2008-001C (PDF) Use pkgcode/variation: S14-1*	0C to +70C RoHS/Lead-Free: No Materials Analysis
DS1044R-10	SOIC;14 pin;150 Dwg: 56-G2008-001C (PDF) Use pkgcode/variation: S14-1*	0C to +70C RoHS/Lead-Free: No Materials Analysis

DS1044R-12	SOIC;14 pin;150 Dwg: 56-G2008-001C (PDF) Use pkgcode/variation: S14-1*	0C to +70C RoHS/Lead-Free: No Materials Analysis
DS1044R-14	SOIC;14 pin;150 Dwg: 56-G2008-001C (PDF) Use pkgcode/variation: S14-1*	0C to +70C RoHS/Lead-Free: No Materials Analysis
DS1044R-18	SOIC;14 pin;150 Dwg: 56-G2008-001C (PDF) Use pkgcode/variation: S14-1*	0C to +70C RoHS/Lead-Free: No Materials Analysis
DS1044R-20	SOIC;14 pin;150 Dwg: 56-G2008-001C (PDF) Use pkgcode/variation: S14-1*	0C to +70C RoHS/Lead-Free: No Materials Analysis
DS1044R-25	SOIC;14 pin;150 Dwg: 56-G2008-001C (PDF) Use pkgcode/variation: S14-1*	0C to +70C RoHS/Lead-Free: No Materials Analysis
DS1044R-25+	SOIC;14 pin;150 Dwg: 56-G2008-001C (PDF) Use pkgcode/variation: S14+1*	0C to +70C RoHS/Lead-Free: Yes Materials Analysis
DS1044R-5	SOIC;14 pin;150 Dwg: 56-G2008-001C (PDF) Use pkgcode/variation: S14-1*	0C to +70C RoHS/Lead-Free: No Materials Analysis

[Didn't Find What You Need?](#)

[CONTACT US: SEND US AN EMAIL](#)