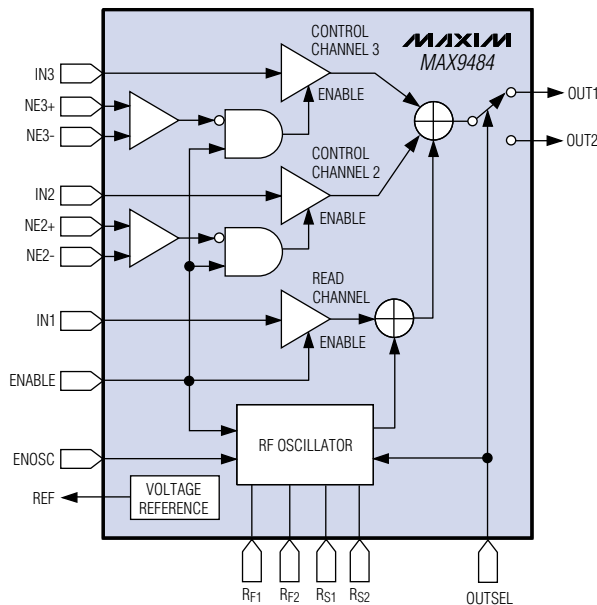


HIGH-PERFORMANCE, DVD/CD LASER-DIODE DRIVER INTEGRATES LVDS INPUTS

The MAX9484 is designed to drive a DVD/CD laser diode. It eliminates the need for external active components and saves board space by integrating LVDS functionality. Offered in a 20-pin, 4mm x 4mm QFN, this device minimizes space requirements on the CPU without compromising features or functionality. As with the MAX9483 laser-diode driver, the MAX9484 operates from a single 5V supply, reducing space and simplifying routing. Both of these ICs are ideal for supporting a multitude of applications including CD, CDR/RW, SACD, DVD-audio, DVD-ROM, DVD±R, and DVD±RW.



- ◆ Maximum Peak Writing Current Up to 400mA
- ◆ 1.0ns Rise/Fall Time
- ◆ Current Gain of 100 (I_{OUTX}/I_{INX})
- ◆ 100MHz to 600MHz Adjustable Oscillator Frequency
- ◆ Independent Oscillator-Frequency Setting per Output
- ◆ Pin Compatible with T0806/T0807 (MAX9483)

Part	Description	Pin-Compatible Upgrade to	Pin-Package
MAX9483	LDD, single-ended inputs	T0806/T0807	16-QSOP, 16-QFN
MAX9484	LDD, LVDS inputs	Proprietary	20-QFN



www.maxim-ic.com

FREE Fiber Design Guide—Sent Within 24 Hours!

CALL TOLL-FREE 1-800-998-8800 (6:00 a.m.–6:00 p.m. PT)

For a Design Guide or Free Sample

