

Click [here](#) for production status of specific part numbers.

MAX20010C/MAX20010D Automotive Single 6A Step-Down Converters

General Description

The MAX20010C/MAX20010D ICs are high-efficiency, synchronous step-down converters that operate with a 3.0V to 5.5V input voltage range and provide a 0.5V to 1.5875V output voltage range. The wide input/output voltage range and the ability to provide up to 6A load current make these ICs ideal for on-board point-of-load and post-regulation applications. The ICs achieve $\pm 2\%$ output error over load, line, and temperature ranges. The MAX20010D offers improved transient response.

The ICs feature a 2.2MHz fixed-frequency PWM mode for better noise immunity and load-transient response, and a pulse-frequency modulation mode (skip) for increased efficiency during light-load operation. The 2.2MHz frequency operation allows the use of all-ceramic capacitors and minimizes the solution footprint. The programmable spread-spectrum frequency modulation minimizes radiated electromagnetic emissions. Integrated low $R_{DS(ON)}$ switches improve efficiency at heavy loads and make the layout a much simpler task with respect to discrete solutions.

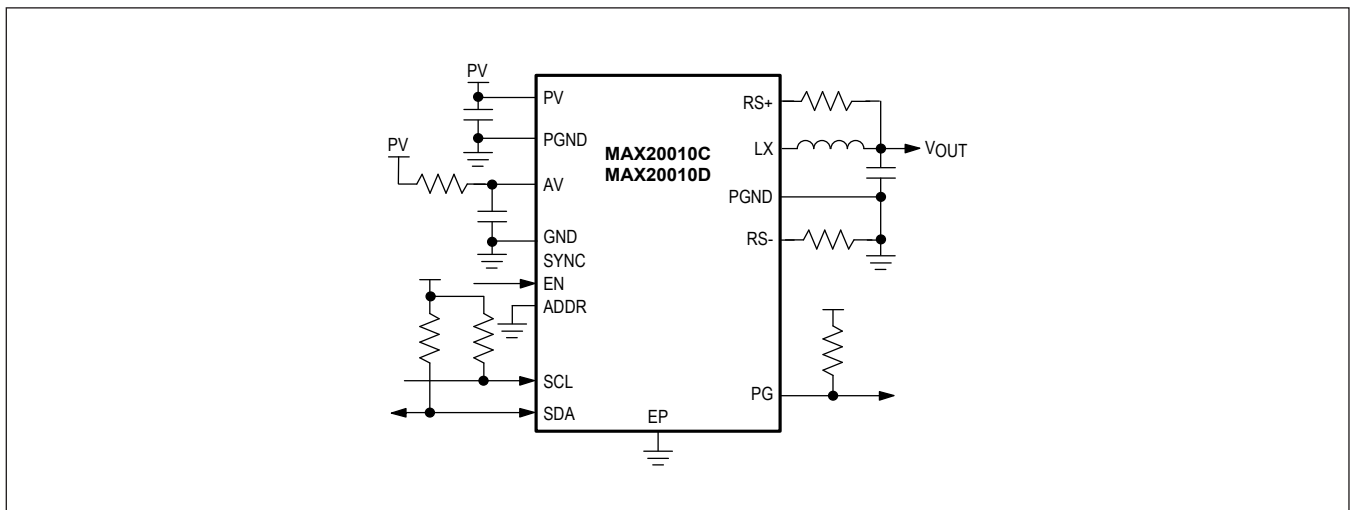
The ICs are offered with factory-preset output voltages (see the [Ordering Information](#) for options). The I²C interface supports dynamic voltage adjustment with programmable slew rates. Other features include programmable soft-start, overcurrent, and overtemperature protections.

Benefits and Features

- Fully Integrated, Synchronous 6A DC-DC Converter Enables Small Solution Size
 - 3.0V to 5.5V Operating Supply Voltage
- High-Precision Voltage Regulator for Applications Processors
 - $\pm 2\%$ Output-Voltage Accuracy
 - Differential Remote Voltage Sensing
 - I²C-Controlled Output Voltage of 0.5V to 1.27V in 10mV Steps, or 0.625V to 1.5875V in 12.5mV Steps
 - Excellent Load-Transient Performance
- Low-Noise Feature Reduces EMI
 - 2.2MHz Operation
 - Spread-Spectrum Option
 - Frequency-Synchronization Input/Output
 - Current-Mode, Forced-PWM, and Skip Operation
- Robust for the Automotive Environment
 - PGOOD Output
 - Overtemperature and Short-Circuit Protection
 - 20-Pin (4mm x 4mm) TQFN with an Exposed Pad
 - -40°C to +125°C Operating Temperature Range
 - AECQ-100 Qualified

[Ordering Information](#) appears at end of data sheet.

Typical Application Circuit



Absolute Maximum Ratings

PV, AV to GND-0.3V to +6V
 ADDR, EN, PG, RS+, RS-, SYNC to GND-0.3V to $V_{AV} + 0.3V$
 SDA, SCL to GND-0.3V to +6V
 GND to PGND-0.3V to +0.3V
 LX to PGND (Note 1)-0.3V to $V_{PV} + 0.3V$
 Output Short-Circuit DurationContinuous

Continuous Power Dissipation ($T_A = +70^\circ C$)
 TQFN (derate 30.3mW/ $^\circ C$ above $+70^\circ C$).....2424.2mW
 Operating Temperature Range..... $-40^\circ C$ to $+125^\circ C$
 Junction Temperature..... $+150^\circ C$
 Storage Temperature Range..... $-65^\circ C$ to $+150^\circ C$
 Lead Temperature (soldering, 10s) $+300^\circ C$
 Soldering Temperature (reflow) $+260^\circ C$

Stresses beyond those listed under "Absolute Maximum Ratings" may cause permanent damage to the device. These are stress ratings only, and functional operation of the device at these or any other conditions beyond those indicated in the operational sections of the specifications is not implied. Exposure to absolute maximum rating conditions for extended periods may affect device reliability.

Package Thermal Characteristics (Note 2)

TQFN

Junction-to-Ambient Thermal Resistance (θ_{JA})..... $33^\circ C/W$
 Junction-to-Case Thermal Resistance (θ_{JC}) $2^\circ C/W$

Note 1: Self-protected against transient voltages exceeding these limits for $\leq 50ns$ under normal operation and loads up to the maximum rating output current.

Note 2: Package thermal resistances were obtained using the method described in JEDEC specification JESD51-7, using a four-layer board. For detailed information on package thermal considerations, refer to www.maximintegrated.com/thermal-tutorial.

Package Information

For the latest package outline information and land patterns (footprints), go to www.maximintegrated.com/packages. Note that a "+", "#", or "-" in the package code indicates RoHS status only. Package drawings may show a different suffix character, but the drawing pertains to the package regardless of RoHS status.

PACKAGE TYPE	PACKAGE CODE	OUTLINE NO.	LAND PATTERN NO.
20 TQFN-EP	T2044+4C	21-100172	90-0409
20 SW TQFN-EP	T2044Y+4C	21-100068	90-0409

Electrical Characteristics

($V_{PV} = V_{AV} = 5.0V$. $T_A = T_J = -40^\circ C$ to $+125^\circ C$, unless otherwise noted. Typical values are at $T_A = +25^\circ C$ under normal conditions, unless otherwise noted.) (Note 3)

PARAMETER	SYMBOL	CONDITIONS	MIN	TYP	MAX	UNITS
Supply Voltage Range	V_{IN}	Fully operational	3.0		5.5	V
Undervoltage Lockout	UVLO	Rising		2.85	3	V
		Falling		2.55		
Shutdown Supply Current	I_{IN}	EN = low	$T_A = +25^\circ C$	2.5	5	μA
			$T_A = +125^\circ C$	4.5		
Supply Current	I_{IN}	EN = high, $I_{OUT} = 0mA$, skip mode		300		μA
PWM Switching Frequency	f_{SW}	Internally generated	2.0	2.2	2.4	MHz
Spread Spectrum		CONFIG.SS = 1		+3		%
Voltage Accuracy	V_{OUT}	$I_{LOAD} = 0A$ to $6A$, $3.0V \leq V_{PV} \leq 5.5V$	0.80V to 1.5875V	-2	+2	%
			0.50V to 0.79V	-16	+21	mV

Electrical Characteristics (continued)

($V_{PV} = V_{AV} = 5.0V$. $T_A = T_J = -40^{\circ}C$ to $+125^{\circ}C$, unless otherwise noted. Typical values are at $T_A = +25^{\circ}C$ under normal conditions, unless otherwise noted.) (Note 3)

PARAMETER	SYMBOL	CONDITIONS	MIN	TYP	MAX	UNITS	
pMOS On-Resistance		$V_{PV} = V_{AV} = 5V$, $I_{LX} = 1A$		31	55	m Ω	
nMOS On-Resistance		$V_{PV} = V_{AV} = 5V$, $I_{LX} = 1A$		18	31	m Ω	
pMOS Current-Limit Threshold			7.76	9.70	11.64	A	
nMOS Zero Crossing Threshold				60		mA	
LX Leakage Current		$V_{PV} = V_{AV} = 6V$, LX = PGND or PV	$T_A = +25^{\circ}C$	0.5	5	μA	
			$T_A = +125^{\circ}C$	4			
Duty-Cycle Range		PWM mode			100	%	
Minimum On-Time				36	75	ns	
THERMAL OVERLOAD							
Thermal-Shutdown Temperature		T_J rising		165		$^{\circ}C$	
Hysteresis				15		$^{\circ}C$	
POWER-GOOD OUTPUT (PG)							
PG Overvoltage (OV) Threshold, Rising		Percentage of nominal output, output voltage rising, blanked during slewing	$0.5V < V_{OUT} < 0.79V$	104	108	112	%
			$0.8V < V_{OUT} < 1.5875V$	105	108	111	
PG Undervoltage (UV) Threshold, Falling		Percentage of nominal output, output voltage falling, blanked during slewing	$0.5V < V_{OUT} < 0.79V$	88	92	96	%
			$0.8V < V_{OUT} < 1.5875V$	89	92	95	
Active Timeout Period				256		Clocks	
UV/OV Propagation Delay				5		μs	
PG Output High-Leakage Current					1	μA	
PG Output Low Level		$3.0V \leq V_{PV} \leq 5.5V$, $3.0V \leq V_{AV} \leq 5.5V$, sinking -2mA			0.2	V	
DIGITAL INPUTS (SYNC, EN, ADDR)							
Input High Level	V_{IH}		1.5			V	
Input Low Level	V_{IL}				0.5	V	
Input Hysteresis				0.1		V	
EN Input Leakage Current		$0V \leq V_{PV} \leq 5.5V$, $0V \leq V_{AV} \leq 5.5V$		0.1		μA	
Enable Time		Rising EN to beginning of soft-start		140		μs	
SYNC Input Pulldown				100	150	k Ω	
SYNC Input Frequency Range			1.8		2.6	MHz	

Electrical Characteristics (continued)

($V_{PV} = V_{AV} = 5.0V$. $T_A = T_J = -40^{\circ}C$ to $+125^{\circ}C$, unless otherwise noted. Typical values are at $T_A = +25^{\circ}C$ under normal conditions, unless otherwise noted.) (Note 3)

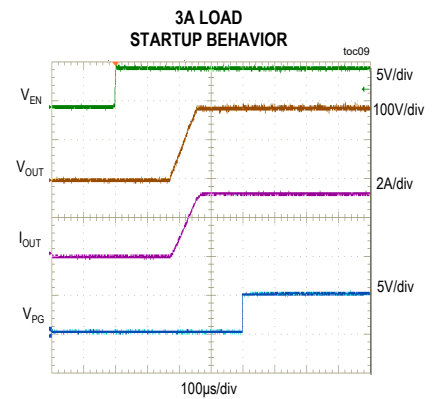
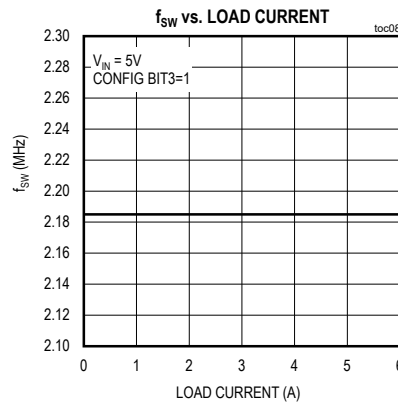
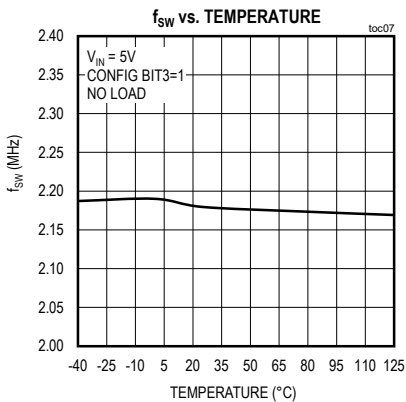
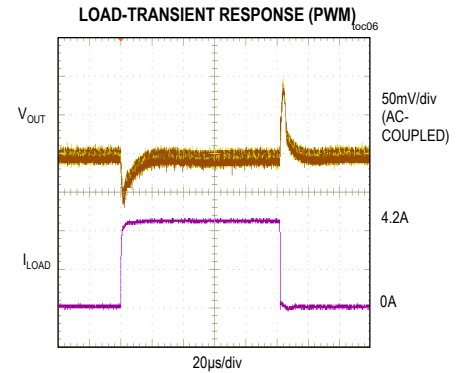
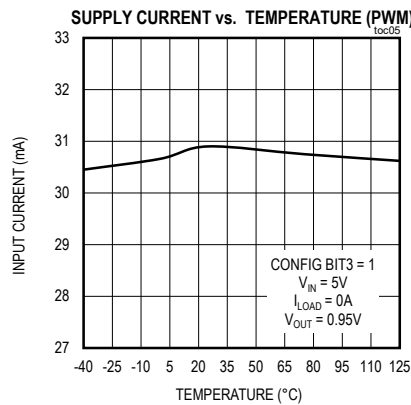
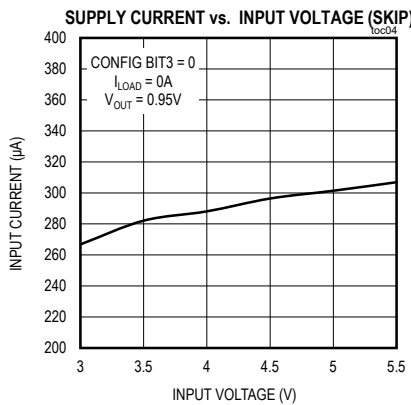
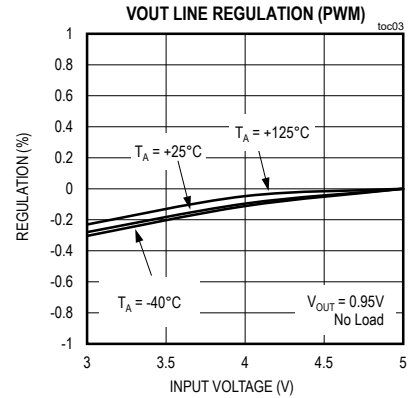
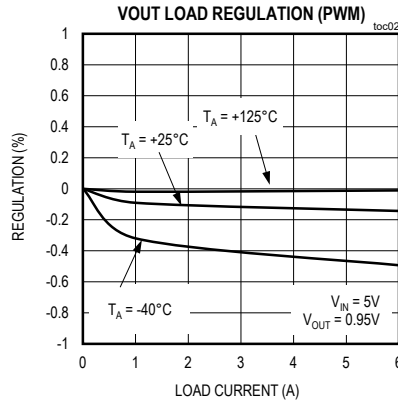
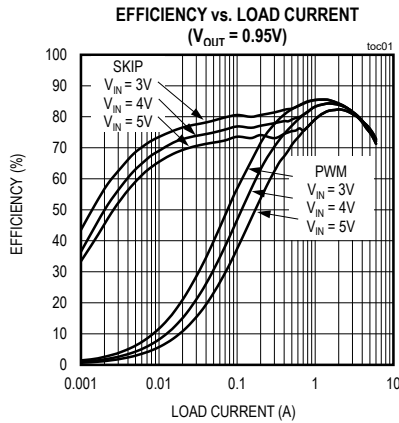
PARAMETER	SYMBOL	CONDITIONS	MIN	TYP	MAX	UNITS
SYNC OUTPUT						
Output Low	V_{OL}	$I_{SINK} = 3mA$			0.4	V
Output High	V_{OH}	$V_{PV} = V_{AV} = 5.0V$, $I_{SOURCE} = 3mA$	4.2			V
DIGITAL INPUTS (SDA, SCL)						
Input High Level	V_{IH_I2C}		1.3			V
Input Low Level	V_{IL_I2C}				0.5	V
Input Hysteresis				0.1		V
Input Leakage Current		$0V \leq V_{PV} \leq 5.5V$, $0V \leq V_{AV} \leq 5.5V$		0.1		μA
I²C INTERFACE						
Clock Frequency	f_{SCL}				3.4	MHz
Setup Time (Repeated) START	$t_{SU:STA}$	(Note 4)	160			ns
Hold Time (Repeated) START	$t_{HD:STA}$	(Note 4)	160			ns
SCL Low Time	t_{LOW}	(Note 4)	160			ns
SCL High Time	t_{HIGH}	(Note 4)	60			ns
Data Setup Time	$t_{SU:DAT}$	(Note 4)	50			ns
Data Hold Time	$t_{HD:DAT}$	(Note 4)	0		70	ns
Setup Time for STOP Condition	$t_{SU:STO}$	(Note 4)	160			ns
Spike Suppression		(Note 4)		20		ns
SDA Output Low	V_{OL_SDA}	$I_{SINK} = 13mA$			0.4	V

Note 3: All units are 100% production tested at $T_A = +25^{\circ}C$. All temperature limits are guaranteed by design.

Note 4: Guaranteed by design. Not production tested.

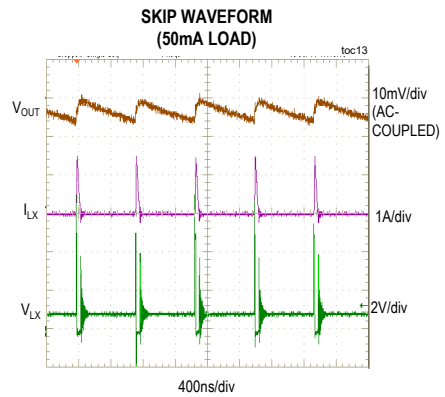
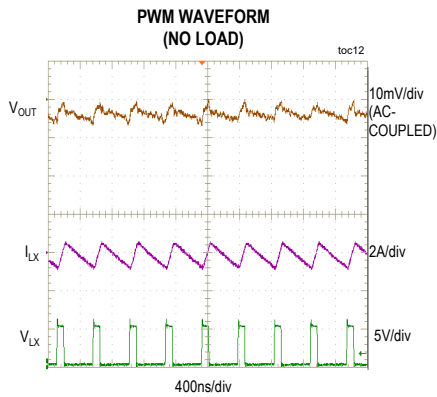
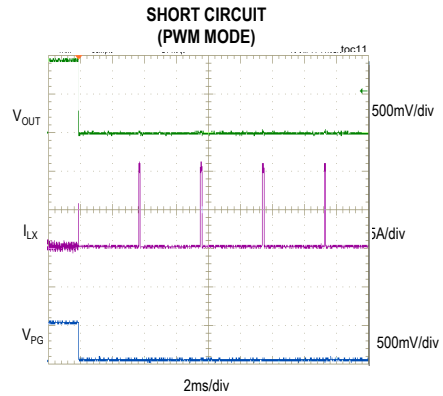
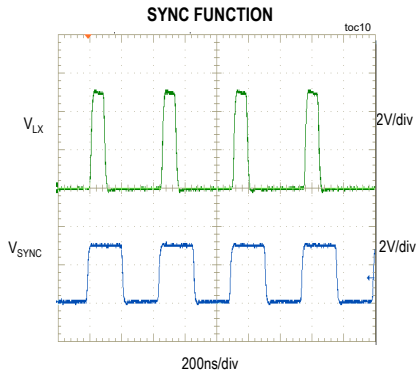
Typical Operating Characteristics

($T_A = +25^\circ\text{C}$, unless otherwise noted.)

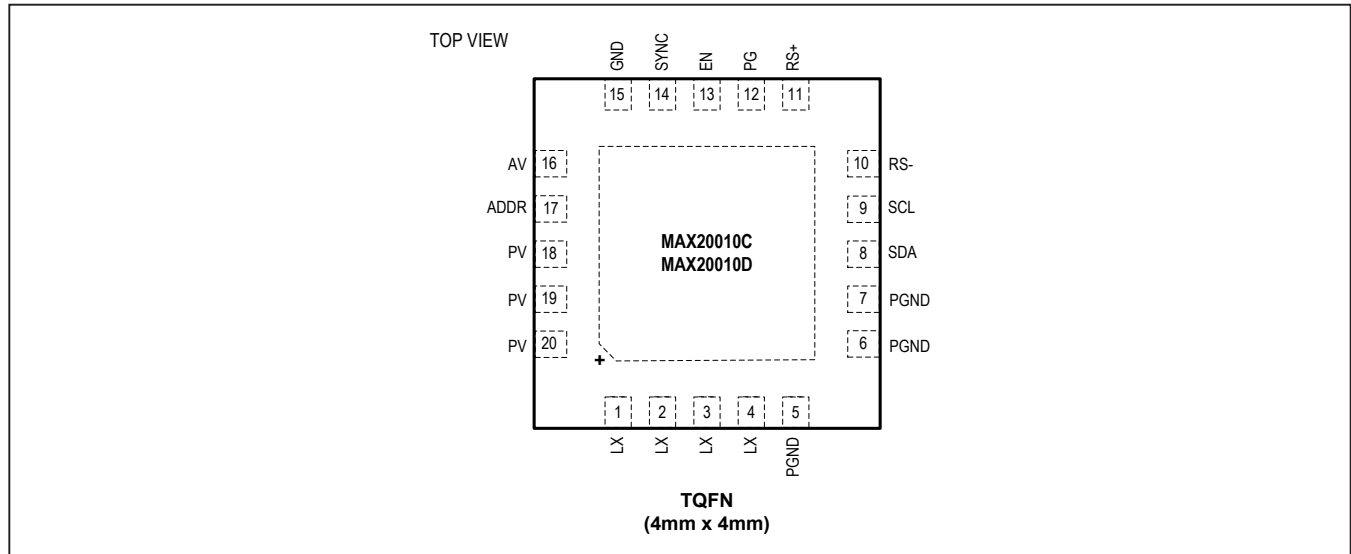


Typical Operating Characteristics (continued)

(T_A = +25°C, unless otherwise noted.)



Pin Configuration



Pin Description

PIN	NAME	FUNCTION
1–4	LX	Inductor Connection. Connect LX to the switched side of the inductor. Connect all LX pins together.
5–7	PGND	Power Ground. Connect all PGND pins together.
8	SDA	I ² C Data I/O
9	SCL	I ² C Clock Input
10	RS-	Buck Regulator Remote Voltage-Sense Negative Input
11	RS+	Buck Regulator Remote Voltage-Sense Positive Input
12	PG	Open-Drain Power-Good Output. This output remains low for 120μs after the output has reached its regulation level (see the Electrical Characteristics table). To obtain a logic signal, pull up PG with an external resistor.
13	EN	Active-High Enable Input. When EN is high, the device enters soft-start. When EN is low, the device enters soft-shutdown.
14	SYNC	SYNC I/O. When configured as an input, connect SYNC to GND or leave unconnected to enable skip-mode operation under light loads. Connect SYNC to AV or an external clock to enable fixed-frequency, forced-PWM (FPWM) mode operation. When configured as an output, connect SYNC to other devices' SYNC inputs.
15	GND	Analog Ground
16	AV	Analog Input Supply. Filter AV using a 100Ω resistor from PV and a 1μF ceramic capacitor from AV to GND.
17	ADDR	I ² C Address Select. See the Ordering Information table for default I ² C settings.
18–20	PV	Power Input Supply. Connect a 4.7μF or larger ceramic capacitor from PV to PGND. Connect all PV pins together.
—	EP	Exposed Pad. Connect EP to ground. Connecting the exposed pad to ground does not remove the requirement for proper ground connections to PGND. The exposed pad is attached with epoxy to the substrate of the die, making it an excellent path to remove heat from the IC.

Detailed Description

The MAX20010C/MAX20010D ICs are high-efficiency, synchronous step-down converters that operate with a 3.0V to 5.5V input voltage range and provide a 0.5V to 1.5875V output voltage range. The ICs deliver up to 6A of load current and achieve $\pm 2\%$ output error over load, line, and temperature ranges. The MAX20010D offers improved transient performance.

Optional spread-spectrum frequency modulation minimizes radiated electromagnetic emissions due to the switching frequency. The I²C-programmable I/O (SYNC) enables system synchronization.

Integrated low R_{DS(ON)} switches help improve efficiency at heavy loads and make the layout a much simpler task with respect to discrete solutions. The ICs are offered with a factory-preset output voltage that is dynamically adjustable through the I²C interface. The output voltage can be set to any desired value between 0.5V and 1.27V in 10mV steps, and between 0.625V and 1.5875V in 12.5mV steps.

Additional features include adjustable soft-start, power-good delay, DVS rate, overcurrent, and overtemperature protections (see [Figure 1](#)).

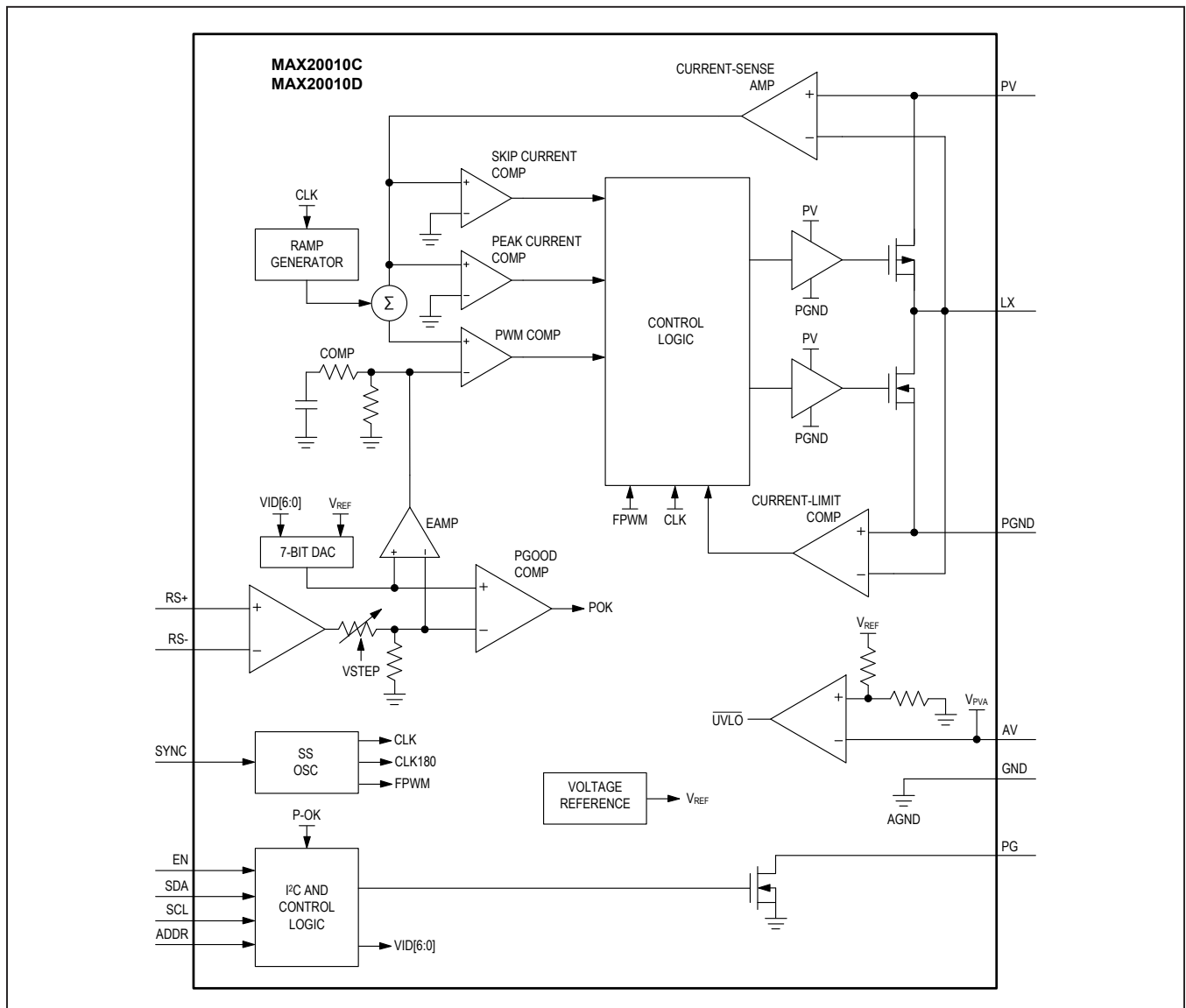


Figure 1. Internal Block Diagram

I²C Interface

The ICs feature an I²C, 2-wire serial interface consisting of a serial-data line (SDA) and serial-clock line (SCL). SDA and SCL facilitate communication between the ICs and the master at clock rates up to 3.4MHz. The master, typically a microcontroller, generates SCL and initiates data transfer on the bus. [Figure 2](#) shows the 2-wire interface timing diagram.

A master device communicates with the ICs by transmitting the proper address followed by the data word. Each transmit sequence is framed by a START (S) or Repeated START (Sr) condition and a STOP (P) condition. Each word transmitted over the bus is 8 bits long and is always followed by an acknowledge clock pulse.

The SDA line operates as both an input and an open-drain output. A pullup resistor greater than 500Ω is required on the SDA bus. The SCL line operates as an input only. A pullup resistor greater than 500Ω is required on SCL if there are multiple masters on the bus, or if the master in a single-master system has an open-drain SCL output.

Series resistors in line with SDA and SCL are optional. The SCL and SDA inputs suppress noise spikes to assure proper device operation even on a noisy bus.

Bit Transfer

One data bit is transferred during each SCL cycle. The data on SDA must remain stable during the high period of the SCL pulse. Changes in SDA while SCL is high are control signals (see the [START and STOP Conditions](#) section). SDA and SCL idle high when the I²C bus is not busy.

START and STOP Conditions

A master device initiates communication by issuing a START condition. A START condition is a high-to-low transition on SDA with SCL high. A STOP condition is a low-to-high transition on SDA while SCL is high ([Figure 3](#)). A START (S) condition from the master signals the beginning of a transmission to the IC. The master terminates transmission, and frees the bus, by issuing a STOP (P) condition. The bus remains active if a Repeated START (Sr) condition is generated instead of a STOP condition.

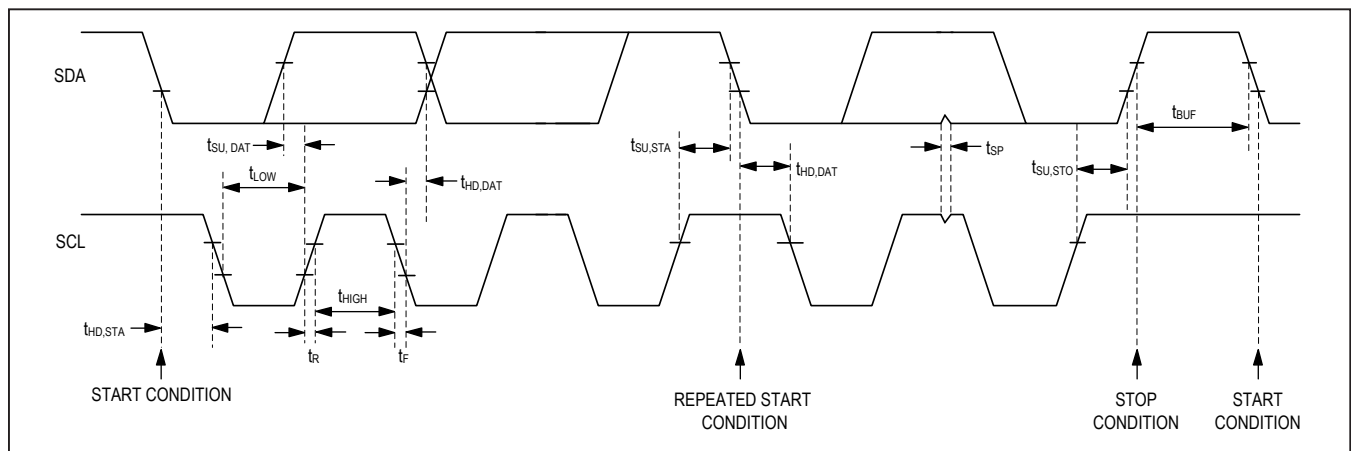


Figure 2. I²C Timing Diagram

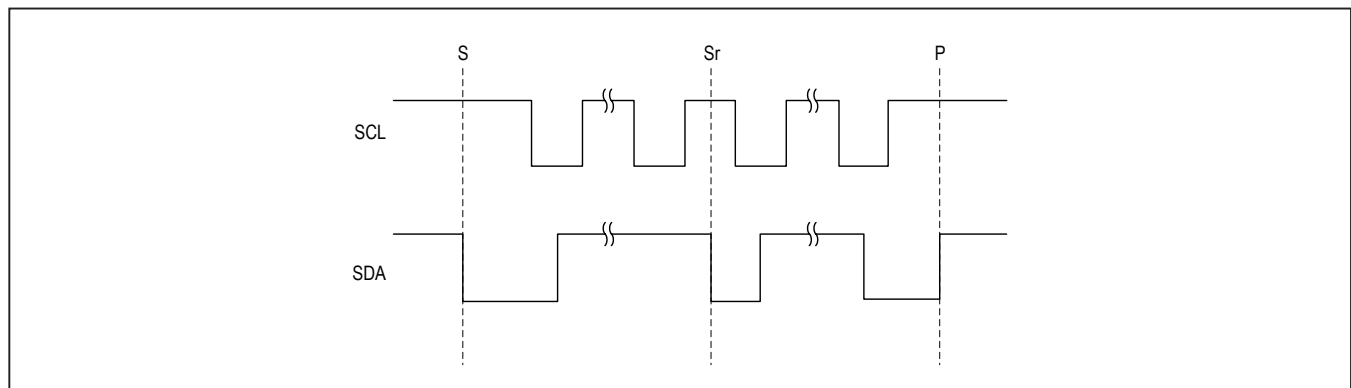


Figure 3. START, STOP, and Repeated START Conditions

Early STOP Condition

The ICs recognize a STOP condition at any point during data transmission, except if the STOP condition occurs in the same high pulse as a START condition.

Clock Stretching

In general, the clock-signal generation for the I²C bus is the responsibility of the master device. The I²C specification allows slow slave devices to alter the clock signal by holding down the clock line. The process in which a slave device holds down the clock line is typically called clock stretching. The ICs do not use any form of clock stretching to hold down the clock line.

I²C General Call Address

The ICs do not implement the I²C specification’s “general call address.” If the IC sees the general call address (0b0000_0000), it does not issue an acknowledge.

Slave Address

Once the device is enabled, the I²C slave address is set by the ADDR pin.

The address is defined as the 7 most significant bits (MSBs) followed by the R/W bit. Set the R/W bit to 1 to configure the IC to read mode. Set the R/W bit to 0 to configure the device to write mode. The address is the first byte of information sent to the device after the START condition. See [Table 1](#) for I²C slave addresses.

Acknowledge

The acknowledge bit (ACK) is a clocked 9th bit that the ICs use to handshake receipt each byte of data ([Figure 4](#)). The device pulls down SDA during the master-generated 9th clock pulse. The SDA line must remain stable and low during the high period of the acknowledge clock pulse. Monitoring ACK allows for detection of unsuccessful data transfers. An unsuccessful data transfer occurs if a receiving device is busy or if a system fault has occurred. In the

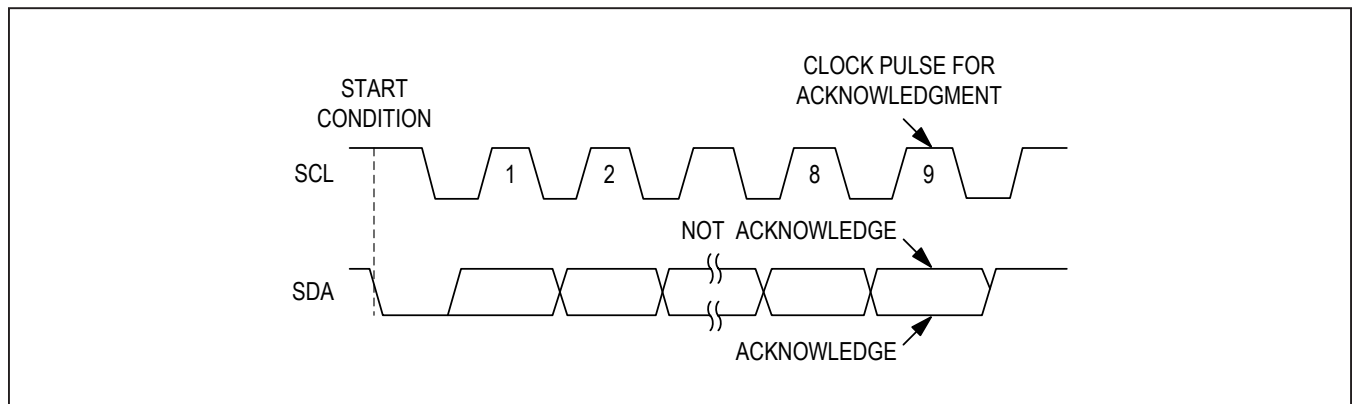


Figure 4. Acknowledge Condition

Table 1. I²C Slave Addresses

ADDR PIN	A6	A5	A4	A3	A2*	A1*	A0	WRITE	READ
0	0	1	1	1	0	0	0	0x70	0x71
1	0	1	1	1	0	0	1	0x72	0x73
0	0	1	1	1	0	1	0	0x74	0x75
1	0	1	1	1	0	1	1	0x76	0x77
0	0	1	1	1	1	0	0	0x78	0x79
1	0	1	1	1	1	0	1	0x7A	0x7B
0	0	1	1	1	1	1	0	0x7C	0x7D
1	0	1	1	1	1	1	1	0x7E	0x7F

*See the [Ordering Information](#) for default settings.

event of an unsuccessful data transfer, the bus master can reattempt communication.

Write Data Format

A write to the device includes:

- Transmission of a START condition
- Slave address with the write bit set to 0
- 1 byte of data to the register address
- 1 byte of data to the command register
- STOP condition.

(Figure 5 illustrates the proper format for one frame)

Read Data Format

A read from the device includes:

- Transmission of a START condition
- Slave address with the write bit set to 0
- 1 byte of data to the register address
- Restart condition
- Slave address with the read bit set to 1
- 1 byte of data to the command register
- STOP condition

(Figure 5 illustrates the proper format for one frame)

Writing to a Single Register

Figure 6 shows the protocol for the I²C master device to write 1 byte of data to the ICs. This protocol is the same as the SMBus specification’s “write byte” protocol.

The “write byte” protocol is as follows:

- 1) Master sends a START command (S).
- 2) Master sends the 7-bit slave address followed by a write bit ($R/\overline{W} = 0$).
- 3) Addressed slave asserts an acknowledge (A) by pulling SDA low.
- 4) Master sends an 8-bit register pointer.
- 5) Slave acknowledges the register pointer.
- 6) Master sends a data byte.
- 7) Slave updates with the new data.
- 8) Slave acknowledges or not acknowledges the data byte. The next rising edge on SDA loads the data byte into its target register and the data becomes active.
- 9) Master sends a STOP condition (P) or a Repeated START condition (Sr).

Writing Multiple Bytes Using Register-Data Pairs

Figure 7 shows the protocol for the I²C master device to write multiple bytes to the ICs using register-data pairs. This protocol allows the I²C master device to address the slave only once and then send data to multiple registers in a random order. Registers can be written continuously until the master issues a STOP condition.

The “multiple byte register-data pair” protocol is as follows:

- 1) Master sends a START command.
- 2) Master sends the 7-bit slave address followed by a write bit.
- 3) Addressed slave asserts an acknowledge by pulling SDA low.
- 4) Master sends an 8-bit register pointer.

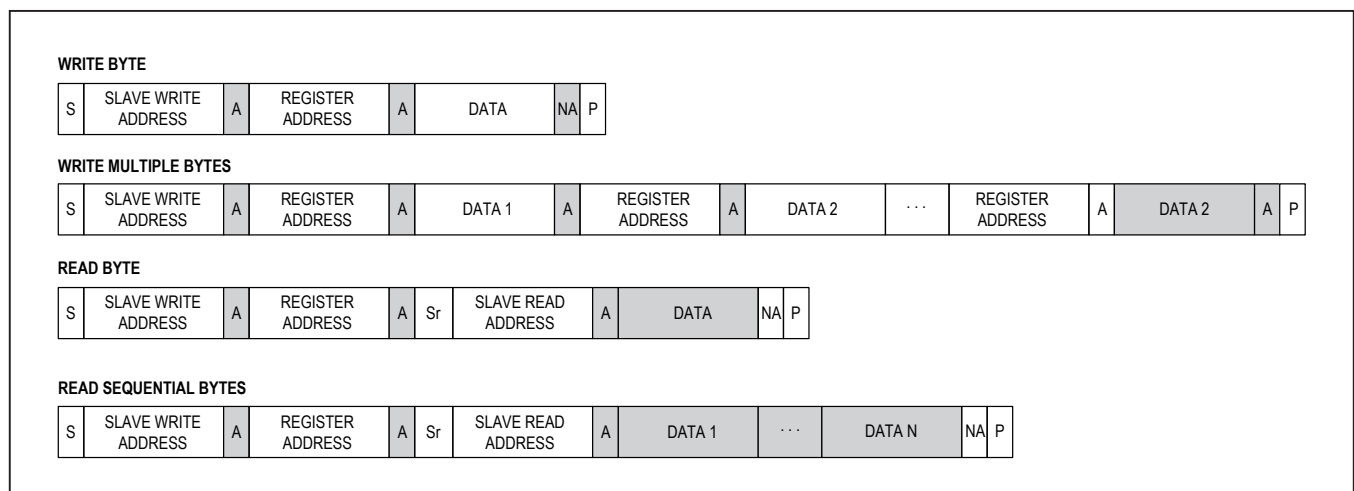


Figure 5. Data Format of I²C Interface

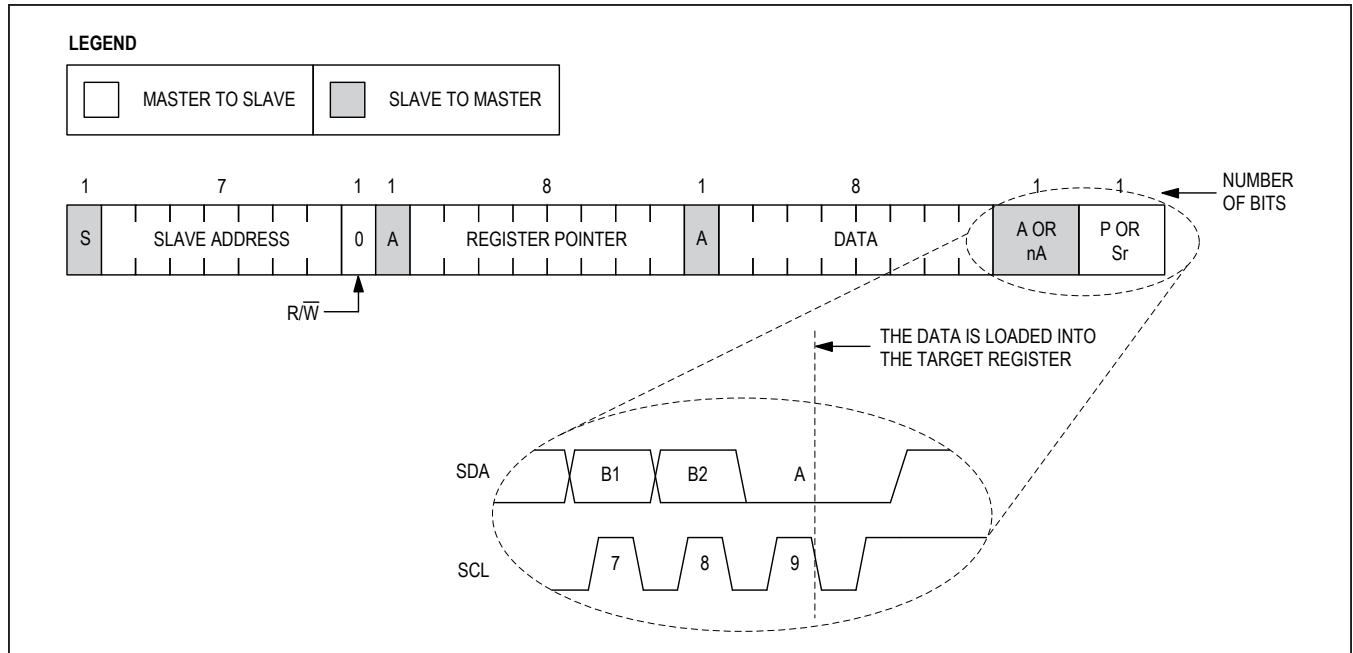


Figure 6. Write Byte Format

- 5) Slave acknowledges the register pointer.
- 6) Master sends a data byte.
- 7) Slave acknowledges the data byte. The next rising edge on SDA loads the data byte into its target register and the data becomes active.
- 8) Steps 4–7 are repeated as many times as the master requires.
- 9) Master sends a STOP condition. During the rising edge of the stop-related SDA edge, the data byte that was previously written is loaded into the target register and becomes active.

PG Output

The ICs feature an open-drain PGOOD output that asserts low when the output voltage exceeds the PG_OV and PG_UV thresholds. PG remains low for a fixed timeout period after the output is within the regulation window. Connect PG to a logic supply using a pullup resistor.

Soft-Start

The ICs include a programmable startup fixed soft-start rate. Soft-start time limits startup inrush current by forcing the output voltage to ramp up towards its regulation point.

Shutdown

During shutdown, the output voltage is ramped down at the 5.5mV/μs slew rate. Once the controlled ramp is stopped, the output voltage is typically around 0.15V at no load.

Spread-Spectrum Option

The ICs, featuring spread-spectrum (SS) operation, vary the internal operating frequency down by 3% relative to the internally generated operating frequency of 2.2MHz (typ). This function does not apply to externally applied oscillation frequency.

Synchronization (SYNC)

SYNC is factory-programmable I/O (see [Ordering Information](#) for the available options). When SYNC is configured as an input, a logic-high on the FPWM bit enables SYNC to accept signal frequencies in the range of 1.8MHz < f_{SYNC} < 2.6MHz. When SYNC is configured as an output, it outputs the internal PWM switching frequency.

Current-Limit/Short-Circuit Protection

The current-limit feature protects the ICs against short-circuit and overload conditions at the output. After soft-start is completed, if V_{OUT} is less than 50% of the set value and the IC is in current limit, the IC shuts off for 4ms (at 2.2MHz switching frequency) and repeats soft-start. This cycle repeats until the short or overload condition is removed. See the short-circuit (PWM) waveform for an example.

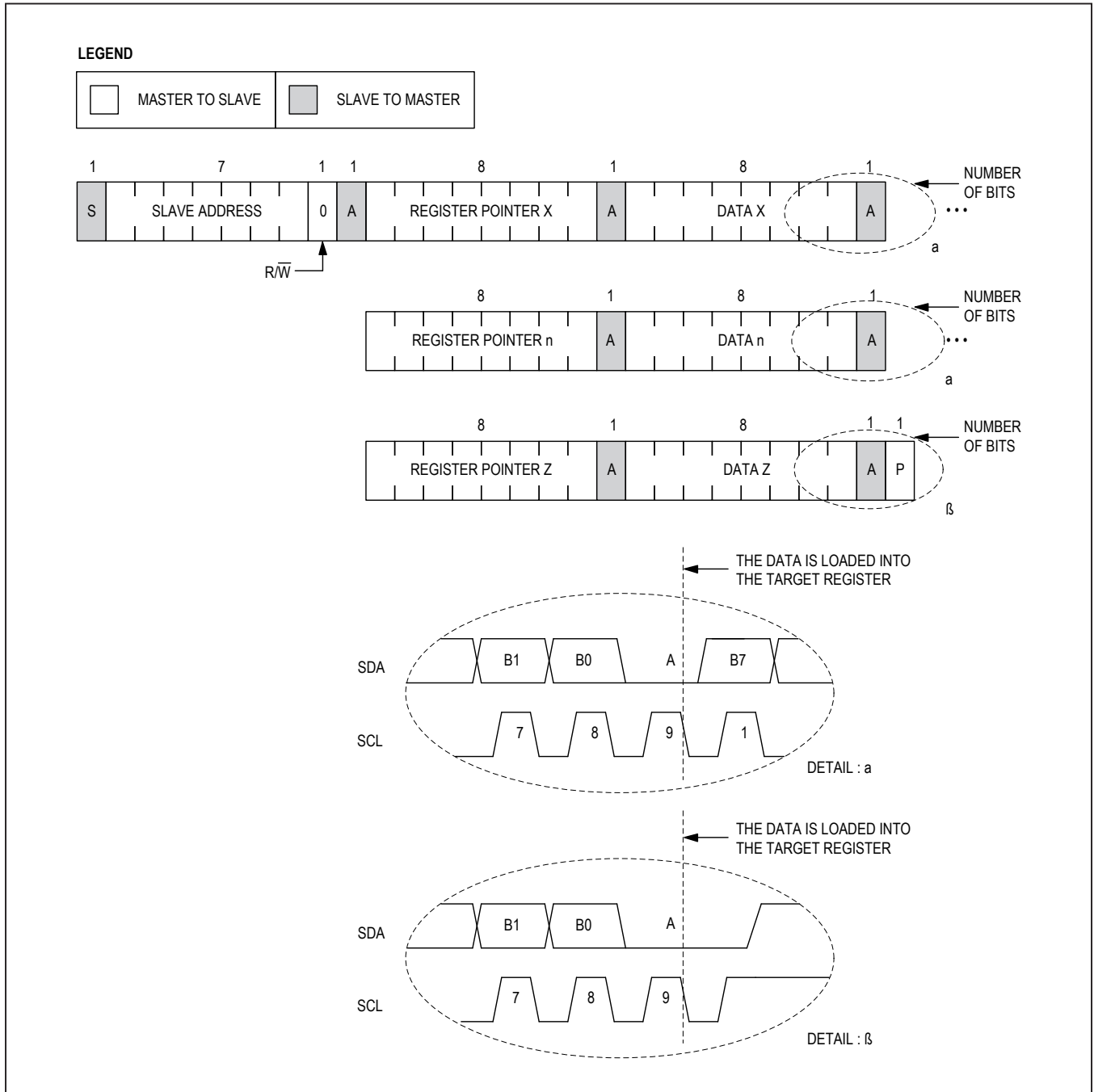


Figure 7. Write Register (Data-Pair Format)

Table 2. Register Map

REG	BIT 7	BIT 6	BIT 5	BIT 4	BIT 3	BIT 2	BIT 1	BIT 0	REGISTER ADDRESS	R/W	POWER-ON RESET
ID	DEV3	DEV2	DEV1	DEV0	R3	R2	R1	R0	0x00	R	0x00
—	—	—	—	—	—	—	—	—	0x01	R/W	0x00
VIDMAX	—	VMAX6	VMAX5	VMAX4	VMAX3	VMAX2	VMAX1	VMAX0	0x02	R/W	OTP
Reserved*	Reserved*	—	—	—	—	—	Reserved*	Reserved*	0x03	R/W	0x02
STATUS	INTERR	TRKERR	VRHOT	UV	OV	OC	VMERR	0	0x04	R	0x00
CONFIG	VSTEP	—	—	—	FPWM	SS	SO1	SO0	0x05	R/W	OTP
SLEW	—	—	—	—	SR3	SR2	SR1	SR0	0x06	R/W	OTP
VID	—	VID6	VID5	VID4	VID3	VID2	VID1	VID0	0x07	R/W	OTP
Reserved*	—	—	Reserved*	Reserved*	Reserved*	Reserved*	Reserved*	Reserved*	0x2B	R/W	0x00

*Note: Reserved registers and bits are not used for readback; they are reserved for internal use.

Table 3. Identification Registers (ID)

ID									
BIT NO.	BIT 7	BIT 6	BIT 5	BIT 4	BIT 3	BIT 2	BIT 1	BIT 0	
NAME	DEV3	DEV2	DEV1	DEV0	R3	R2	R1	R0	
POR	0	0	0	0	0	0	0	0	
BIT	BIT DESCRIPTION								
DEV[7:4]	Device ID: MAX20010C/MAX20010D = 0x0								
R[3:0]	0x3								

Table 4. Maximum Voltage-Setting Registers (VIDMAX)

VIDMAX								
BIT NO.	7	6	5	4	3	2	1	0
NAME	—	VMAX6	VMAX5	VMAX4	VMAX3	VMAX2	VMAX1	VMAX0
POR	OTP	OTP	OTP	OTP	OTP	OTP	OTP	OTP

BIT	BIT DESCRIPTION
VMAX[6:0]	Maximum Voltage Setting: If VID[] > VMAX[] , a fault is set and the actual voltage will be capped by VMAX[] . See Table 9 for voltage selections.

Table 5. Configuration Registers (CONFIG)

CONFIG								
BIT NO.	BIT 7	BIT 6	BIT 5	BIT 4	BIT 3	BIT 2	BIT 1	BIT 0
NAME	VSTEP	—	—	—	FPWM	SS	SO1	SO0
POR	OTP	OTP	OTP	OTP	OTP	OTP	OTP	OTP

BIT	BIT DESCRIPTION
VSTEP	Voltage Step Size—Sets the voltage step size for the LSB of SETVOUT: 0 = 10mV 1 = 12.5mV
FPWM	Forced-PWM Mode: 0 = Mode controlled by SYNC pin. When SYNC is output device is always FPWM mode. 1 = Forced-PWM Mode. Overrides SYNC skip mode setting when SYNC is an input.
SS	Spread-Spectrum Clock Setting: 0 = Disabled 1 = +3% spread
SO[1:0]	SYNC I/O Select: 00 = Master: Input, rising edge starts cycle 01 = Master: Input, falling edge starts cycle 10 = Master: Output, falling edge starts cycle 11 = Unused

Table 6. Status Registers (STATUS)

STATUS								
BIT NO.	BIT 7	BIT 6	BIT 5	BIT 4	BIT 3	BIT 2	BIT 1	BIT 0
NAME	INTERR	Reserved*	VRHOT	UV	OV	OC	VMERR	0
POR	0	0	0	0	0	0	0	0

BIT	BIT DESCRIPTION
INTERR	Internal Hardware Error: This bit is set to 1 when ATE trimming and testing is not complete.
Reserved	Reserved registers and bits are not used for readback; they are reserved for internal use.
VRHOT	Thermal-Shutdown Indication: This bit indicates if thermal shutdown has occurred since the last time the STATUS register was read.
UV	V _{OUT} Undervoltage: This bit indicates if the output is currently under the target voltage.
OV	V _{OUT} Overvoltage: This bit indicates if the output is currently over the target voltage.
OC	V _{OUT} Overcurrent: This bit indicates if an overcurrent event has occurred since the last time the STATUS register was read.
VMERR	V _{OUT} MAX Error: Set to 1 if VID[] > VOUTMAX[] is in normal mode.

Table 7. Slew-Rate Registers (SLEW)

SLEW								
BIT NO.	BIT 7	BIT 6	BIT 5	BIT 4	BIT 3	BIT 2	BIT 1	BIT 0
NAME	—	—	—	—	SR3	SR2	SR1	SR0
POR	OTP	OTP	OTP	OTP	OTP	OTP	OTP	OTP

SR[3:0]	SOFT-START SLEW RATE (mV/μs)*	DVS SLEW RATE (mV/μs)*
XXXX0000	22	22
XXXX0001	11	22
XXXX0010	5.5	22
XXXX0011	11	11
XXXX0100	5.5	11
XXXX0101	44	44
XXXX0110	22	44
XXXX0111	11	44
XXXX1000	5.5	44
XXXX1001	5.5	5.5
XXXX1010–XXXX1111	Reserved	Reserved

*Note: VSTEP = '0'; when VSTEP = '1', increase by a factor of 1.25.

Table 8. Output-Voltage Registers, VID

VID								
BIT NO.	BIT 7	BIT 6	BIT 5	BIT 4	BIT 3	BIT 2	BIT 1	BIT 0
NAME	—	VID6	VID5	VID4	VID3	VID2	VID1	VID0
POR	OTP	OTP	OTP	OTP	OTP	OTP	OTP	OTP

BIT	BIT DESCRIPTION
VID[6:0]	Target Voltage Setting: V _{OUT} ramps at the programmed DVS ramp until it reaches VSET. See Table 9 for voltage selections.

Table 9. VID Output-Voltage Selections

VID[6:0]	V _{OUT} (V) (VSTEP = 0)	V _{OUT} (V) (VSTEP = 1)	VID[6:0]	V _{OUT} (V) (VSTEP = 0)	V _{OUT} (V) (VSTEP = 1)	VID[6:0]	V _{OUT} (V) (VSTEP = 0)	V _{OUT} (V) (VSTEP = 1)
0x00	OFF	OFF	0x20	0.810	1.0125	0x40	1.130	1.4125
0x01	0.500	0.6250	0x21	0.820	1.0250	0x41	1.140	1.4250
0x02	0.510	0.6375	0x22	0.830	1.0375	0x42	1.150	1.4375
0x03	0.520	0.6500	0x23	0.840	1.0500	0x43	1.160	1.4500
0x04	0.530	0.6625	0x24	0.850	1.0625	0x44	1.170	1.4625
0x05	0.540	0.6750	0x25	0.860	1.0750	0x45	1.180	1.4750
0x06	0.550	0.6875	0x26	0.870	1.0875	0x46	1.190	1.4875
0x07	0.560	0.7000	0x27	0.880	1.1000	0x47	1.200	1.5000
0x08	0.570	0.7125	0x28	0.890	1.1125	0x48	1.210	1.5125
0x09	0.580	0.7250	0x29	0.900	1.1250	0x49	1.220	1.5250
0x0A	0.590	0.7375	0x2A	0.910	1.1375	0x4A	1.230	1.5375
0x0B	0.600	0.7500	0x2B	0.920	1.1500	0x4B	1.240	1.5500
0x0C	0.610	0.7625	0x2C	0.930	1.1625	0x4C	1.250	1.5625
0x0D	0.620	0.7750	0x2D	0.940	1.1750	0x4D	1.260	1.5750
0x0E	0.630	0.7875	0x2E	0.950	1.1875	0x4E	1.270	1.5875
0x0F	0.640	0.8000	0x2F	0.960	1.2000			
0x10	0.650	0.8125	0x30	0.970	1.2125			
0x11	0.660	0.8250	0x31	0.980	1.2250			
0x12	0.670	0.8375	0x32	0.990	1.2375			
0x13	0.680	0.8500	0x33	1.000	1.2500			
0x14	0.690	0.8625	0x34	1.010	1.2625			
0x15	0.700	0.8750	0x35	1.020	1.2750			
0x16	0.710	0.8875	0x36	1.030	1.2875			
0x17	0.720	0.9000	0x37	1.040	1.3000			
0x18	0.730	0.9125	0x38	1.050	1.3125			
0x19	0.740	0.9250	0x39	1.060	1.3250			
0x1A	0.750	0.9375	0x3A	1.070	1.3375			
0x1B	0.760	0.9500	0x3B	1.080	1.3500			
0x1C	0.770	0.9625	0x3C	1.090	1.3625			
0x1D	0.780	0.9750	0x3D	1.100	1.3750			
0x1E	0.790	0.9875	0x3E	1.110	1.3875			
0x1F	0.800	1.0000	0x3F	1.120	1.4000			

PWM/Skip Modes

The ICs feature a SYNC input that puts the converter either in skip mode or forced-PWM mode of operation. See the [Pin Description](#) table for mode details. In PWM mode, the converter switches at a constant frequency with variable on-time. In skip mode, the converter's switching frequency is load-dependent until the output load reaches a certain threshold. At higher load current, the switching frequency does not change and the operating mode is similar to the PWM mode. Skip mode helps improve efficiency in light-load applications by transferring more energy to the output during each on cycle, so the converter does not switch MOSFETs on and off as often as is the case in PWM mode. Consequently, the gate charge and switching losses are much lower in skip mode.

Overtemperature Protection

Thermal-overload protection limits the total power dissipation in the ICs. When the junction temperature exceeds 165°C (typ), an internal thermal sensor shuts down the internal bias regulator and the step-down controller, allowing the ICs to cool. The thermal sensor turns on the ICs again after the junction temperature cools by 15°C.

Applications Information

Input Capacitor

The input filter capacitor reduces peak currents drawn from the power source and reduces noise and voltage ripple on the input caused by the circuit's switching.

The input capacitor RMS current requirement (I_{RMS}) is defined by the following equation:

$$I_{RMS} = I_{LOAD(MAX)} \frac{\sqrt{V_{OUT}(V_{PV_} - V_{OUT})}}{V_{PV_}}$$

I_{RMS} has a maximum value when the input voltage equals twice the output voltage ($V_{PV_} = 2V_{OUT}$), so $I_{RMS(MAX)} = I_{LOAD(MAX)}/2$.

Choose an input capacitor that exhibits less than +10°C self-heating temperature rise at the RMS input current for optimal long-term reliability:

$$ESR_{IN} = \frac{\Delta V_{ESR}}{I_{OUT} + \frac{\Delta I_L}{2}}$$

where:

$$\Delta I_L = \frac{(V_{PV_} - V_{OUT}) \times V_{OUT}}{V_{PV_} \times f_{SW} \times L}$$

and:

$$C_{IN} = \frac{I_{OUT} \times D(1-D)}{\Delta V_Q \times f_{SW}}$$

and:

$$D = \frac{V_{OUT}}{V_{PV_}}$$

I_{OUT} is the maximum output current, D is the duty cycle.

Inductor Selection

The ICs are optimized to use a nominal 0.22μH inductor value. 0.15μH to 0.33μH inductors can also be used.

Inductors are rated for maximum saturation current. The maximum inductor current equals the maximum load current in addition to half the peak-to-peak ripple current:

$$I_{PEAK} = I_{LOAD(MAX)} + \frac{\Delta I_{INDUCTOR}}{2}$$

The actual peak-to-peak inductor ripple current is calculated in the previous ΔI_L equation.

The saturation current should be $> I_{PEAK}$, or at least in a range where the inductance does not degrade significantly.

Output Capacitor

The MAX20010C is stable with 2x47μF (typ) or more of X7R ceramic capacitance on the output, while the MAX20010D is stable with 3x47μF (typ). Phase and gain margin must be measured with the worst-case-derated output capacitance to ensure stability. Larger capacitance values can be used to minimize V_{SAG} and V_{SOAR} during load transients.

Setting the Output Voltage Externally

An external resistive divider can be used to set the output voltage, or to change the voltage range that can be programmed through I²C. This should only be done with VSTEP = 0 (10mV steps). To set the output voltage, connect a resistive divider from the output (OUT) to RS+ to GND, as shown in Figure 8. Select R_{FB2} (RS+ to GND resistor) ≤ 100kΩ. Calculate R_{FB1} (OUT to RS+ resistor) with the following equation:

$$R_{FB1} = R_{FB2} \left[\left(\frac{V_{OUT}}{V_{RS+}} \right) - 1 \right]$$

where V_{RS+} = programmed VID voltage.

Capacitor C_{FB1} can help improve the phase margin when using a resistive divider. Determine C_{FB1} from the following equation:

$$C_{FB1} = 10 \frac{R_{FB2}}{R_{FB1}} \text{ pF}$$

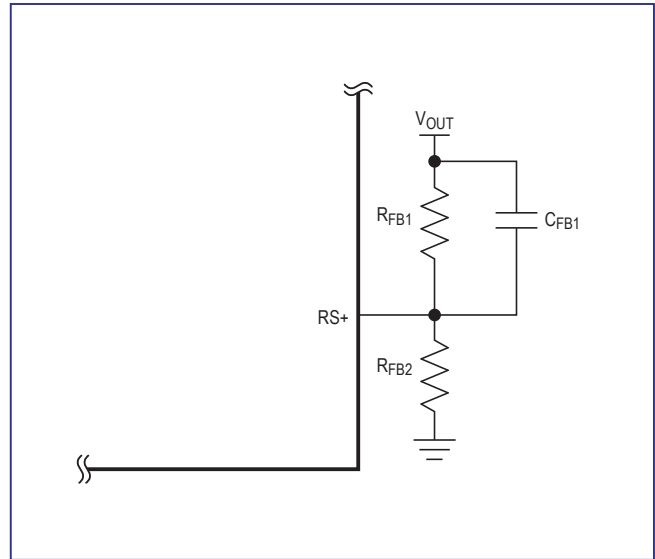


Figure 8. Adjustable Output-Voltage Setting

Ordering Information

PART	PIN-PACKAGE	V _{OUT} (V)	V _{MAX} [6:0]	CONFIG	VID[6:0]	SLEW	I ² C ADDR = 0
MAX20010CATPD/V+	20 TQFN-EP*	0.82	0x3C (1.09V)	0x0E	0x21 (0.82V)	0x09	0x70
MAX20010CATPE/V+	20 TQFN-EP*	0.80	0x29 (0.90V)	0x08	0x1F (0.80V)	0x09	0x74
MAX20010CATPJ/V+	20 TQFN-EP*	1.20	0x4C (1.25V)	0x08	0x47 (1.20V)	0x03	0x70
MAX20010CATPL/V+	20 TQFN-EP*	1.00	0x42 (1.15V)	0x06	0x33 (1.00V)	0x03	0x70
MAX20010CATPM/V+	20 TQFN-EP*	1.00	0x3D (1.10V)	0x08	0x33 (1.00V)	0x03	0x70
MAX20010CATPQ/V+	20 TQFN-EP*	0.60	0x1F (0.80V)	0x08	0x0B (0.60V)	0x03	0x70
MAX20010CATPU/V+	20 TQFN-EP*	1.03	0x3B (1.08V)	0x0C	0x36 (1.03V)	0x00	0x70
MAX20010DATPN/V+	20 TQFN-EP*	1.00	0x42 (1.15V)	0x08	0x33 (1.00V)	0x03	0x70
MAX20010DATPO/V+	20 TQFN-EP*	0.91	0x42 (1.15V)	0x08	0x2A (0.91V)	0x03	0x70
MAX20010DATPO/VY+	20 SW TQFN-EP*	0.91	0x42 (1.15V)	0x08	0x2A (0.91V)	0x03	0x70
MAX20010DATPP/V+	20 TQFN-EP*	0.87	0x42 (1.15V)	0x08	0x26 (0.87V)	0x03	0x70
MAX20010DATPR/V+	20 TQFN-EP*	0.90	0x42 (1.15V)	0x08	0x29 (0.90V)	0x00	0x70
MAX20010DATPT/V+	20 TQFN-EP*	0.75	0x42 (1.15V)	0x08	0x1A (0.75V)	0x03	0x70

V denotes an automotive qualified part.

+Denotes a lead(Pb)-free/RoHS-compliant package.

*EP = Exposed pad.

Revision History

REVISION NUMBER	REVISION DATE	DESCRIPTION	PAGES CHANGED
0	9/17	Initial release	—
1	3/18	Updated Table 7, <i>Output Capacitor</i> section, and <i>Ordering Information</i>	16, 18–19
2	4/18	Updated <i>Package Information</i> table and Table 7. Added MAX20010DATPR/V+ as a future product to the <i>Ordering Information</i> table.	2, 16, 19
3	8/18	Updated equation in the <i>Setting the Output Voltage Externally</i> section. Added MAX-20010CATPE/V+** as a future product and removed future product designation from MAX20010DATPR/V+ in the <i>Ordering Information</i> table.	19
4	11/18	Updated <i>Package Information</i> table. Added MAX20010DATPT/V+ and MAX20010DAT-PO/VY+ to the <i>Ordering Information</i> table. Added MAX20010CATPU/V+ as a future product to the <i>Ordering Information</i> table.	2, 19
5	3/19	Removed future-product notation from MAX20010CATPE/V+ and MAX20010CATPU/V+ in the <i>Ordering Information</i> table	19

For pricing, delivery, and ordering information, please visit Maxim Integrated's online storefront at <https://www.maximintegrated.com/en/storefront/storefront.html>.

Maxim Integrated cannot assume responsibility for use of any circuitry other than circuitry entirely embodied in a Maxim Integrated product. No circuit patent licenses are implied. Maxim Integrated reserves the right to change the circuitry and specifications without notice at any time. The parametric values (min and max limits) shown in the Electrical Characteristics table are guaranteed. Other parametric values quoted in this data sheet are provided for guidance.