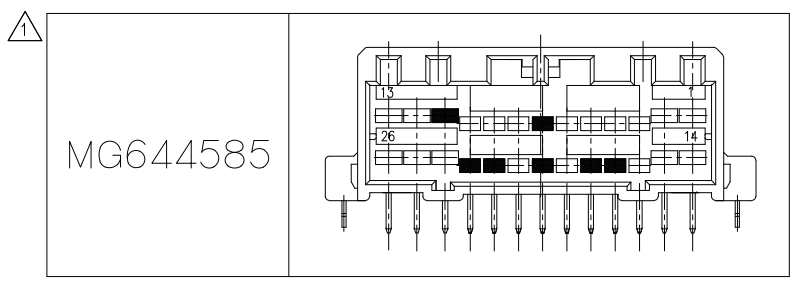


PART NO. MG641791
MG644585

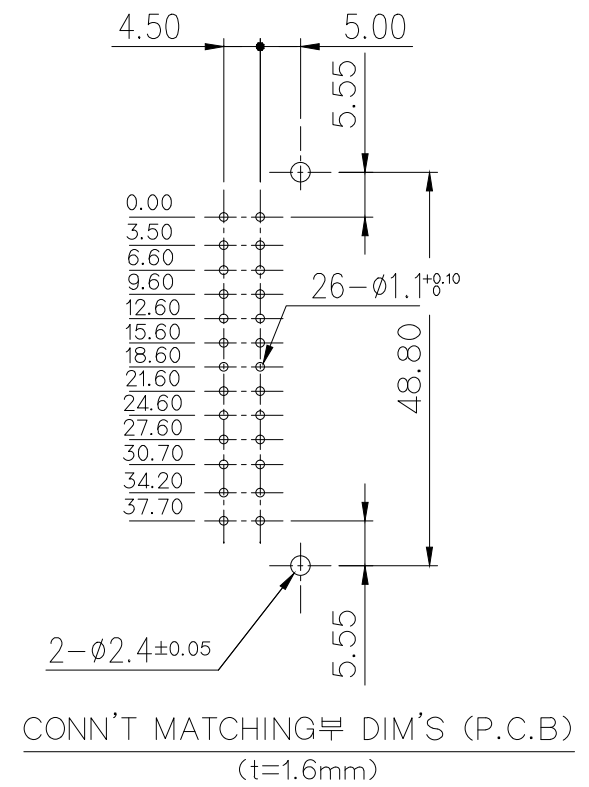
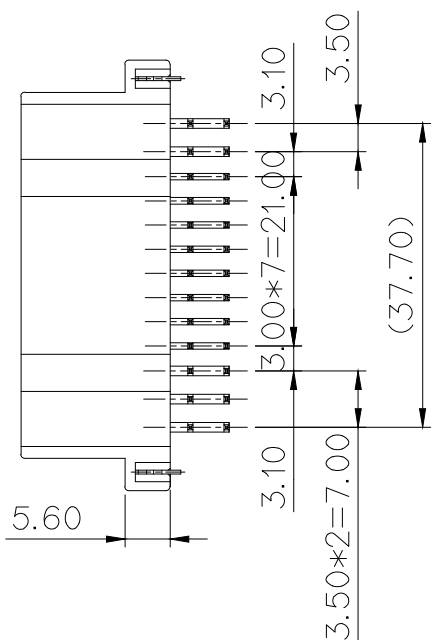
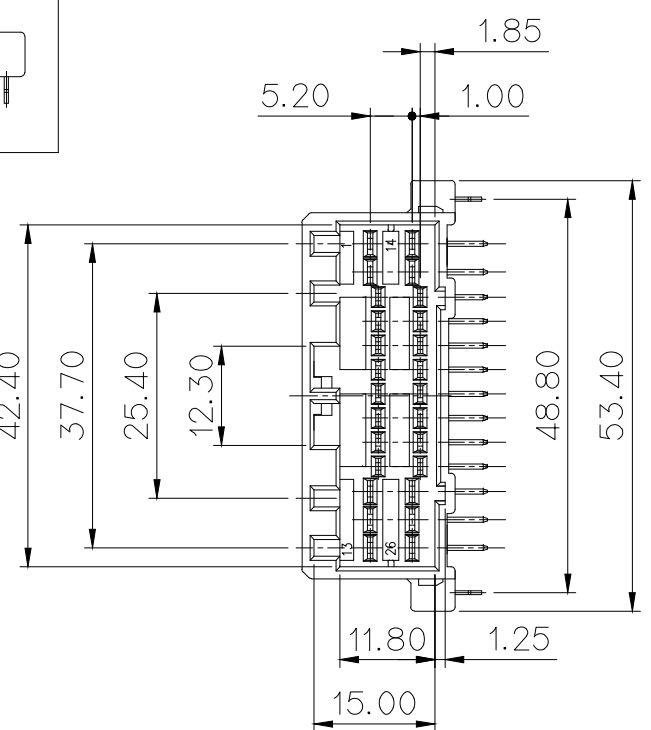
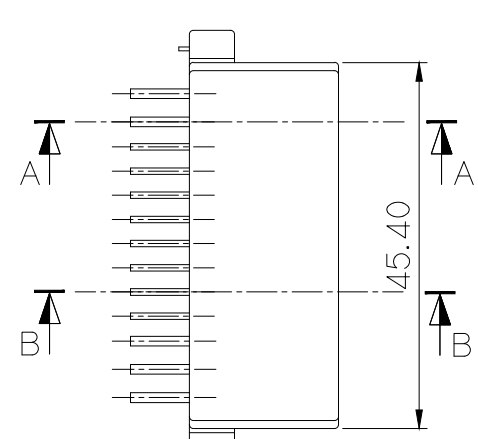
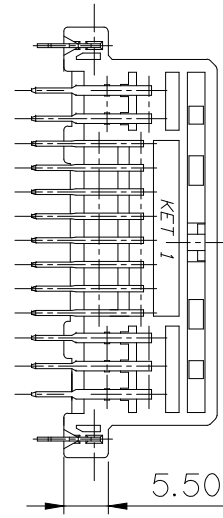
CUSTOMER DRAWING

CONTACT ARRANGEMENT

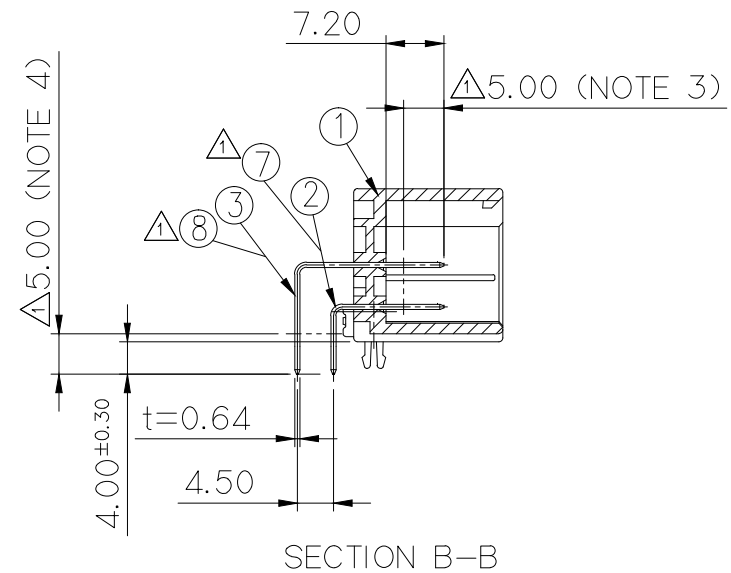
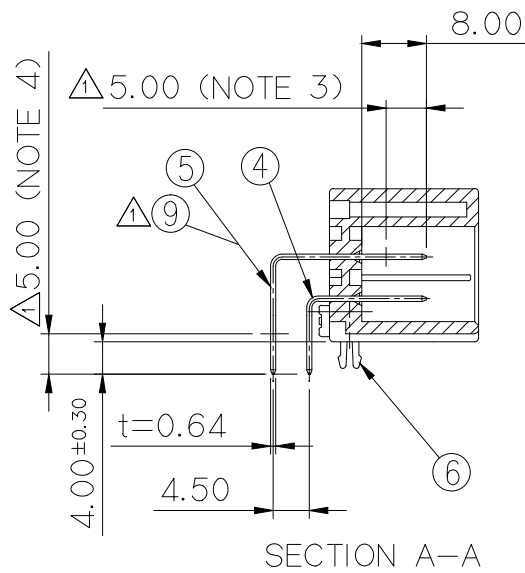
"■" MARK MEANS GOLD PLATE CONTACT



GENERAL TOLERANCE (TERMINAL)					GENERAL TOLERANCE (HOUSING)							USED ON
10MAX	20MAX	45MAX	ANGLE	ECCENT	10MAX	50MAX	100MAX	250MAX	250VR	ANGLE	ECCENT	
±0.2	±0.25	±0.3	±30'	0.1	±0.2	±0.3	±0.55	±0.95	±1.4	±30'	0.1	



NO.	MATERIAL	COLOR
0	PBT+G/F 15%	NATURAL
1		RED
2		BLUE
3		YELLOW
4		GRAY
40		DARK GRAY
41		LIGHT GRAY
5		BLACK
6		DARK GREEN
7		BROWN
8		LIGHT GREEN
9	MAGENTA	
11	ORANGE	



주 기

- 적용 FEMALE HS'G : MG611336
- 금도금 두께는 0.38 um이상
- 금도금 TM'L의 금도금 범위표시.(■ MARK부위)
- 금도금 TM'L의 Sn도금 범위표시.
- 제품내 함유된 6대 유해물질 (납,수은,카드뮴,6가크롬, PBBs,PPDEs)은 EU ELV 지침 및 RoHS 법규에서 지정한 최대 허용 농도를 초과해서는 안된다.

NOTE

- APPLICABLE FEMALE HS'G : MG611336
- AU PLATING 0.38 um MIN (■ MARK PART)
- AU PLATING TM'L OF AU PLATING RANGE DISPLAY.
- AU PLATING TM'L OF Sn PLATING RANGE DISPLAY.
- 6 HAZARDOUS SUBSTANCES IN PARTS (LEAD MERCURY,CADMIUM, HEXAVALENT CHROMIUM PPBs,PPDEs) SHALL NOT EXCEED THE MAXIMUM PERMISSIBLE CONCENTRATION PRESCRIBED UNDER EU ELV DIRECTIVE & RoHS REGULATION.

부품 구성표

⑨	ST790831-G	070 TAB TM'L(SM)	BRASS	Au-PLATING	-	1 EA
⑧	ST790829-G	040 II TAB TM'L(SM)	BRASS	Au-PLATING	-	1 EA
⑦	ST790828-G	040 II TAB TM'L(SS)	BRASS	Au-PLATING	-	5 EA
⑥	ST790832-3	0407 26P PCB STEEL LOCK	BRASS	PRE - TIN	2 EA	2 EA
⑤	ST790831-3	070 TAB TM'L(SM)	BRASS	PRE - TIN	5 EA	4 EA
④	ST790830-3	070 TAB TM'L(SS)	BRASS	PRE - TIN	5 EA	5 EA
③	ST790829-3	040 II TAB TM'L(SM)	BRASS	PRE - TIN	8 EA	7 EA
②	ST790828-3	040 II TAB TM'L(SS)	BRASS	PRE - TIN	8 EA	3 EA
①	MG671790	0407 26M PCB HS'G	PBT	SEE TABLE	1 EA	1 EA
NO	PART NO.	PART NAME	MATERIAL	FINISH	Q'TY	Q'TY
					MG641791	MG644585

APPROVED
2020-12-11
KOREA ELECTRIC
TERMINAL CO., LTD.
Korea Electric Terminal Co., LTD.

ISSUE MARK

MATERIAL	SEE TABLE	KET KOREA ELECTRIC ENGINEERED TERMINAL CO., LTD.
FINISH	SEE TABLE	
WIRE RANGE		CLASS
INSULATION		TYPE
LTR	설계사양변경(S080288)근거 도면변경 (금도금 7PIN 사양 추가)	YSW
DR.	HEE. '98.07.13	CHK. BOG
CHK.	JJH	APP.
DATE	08.11.18	DATE
TOLERANCE EXCEPT AS NOTED	SEE TABLE	SCALE
PART NAME	0407 26P PCB CONN'T(HZT)	PART NO.
		MG641791 MG644585

DIMENSIONS IN (MM)