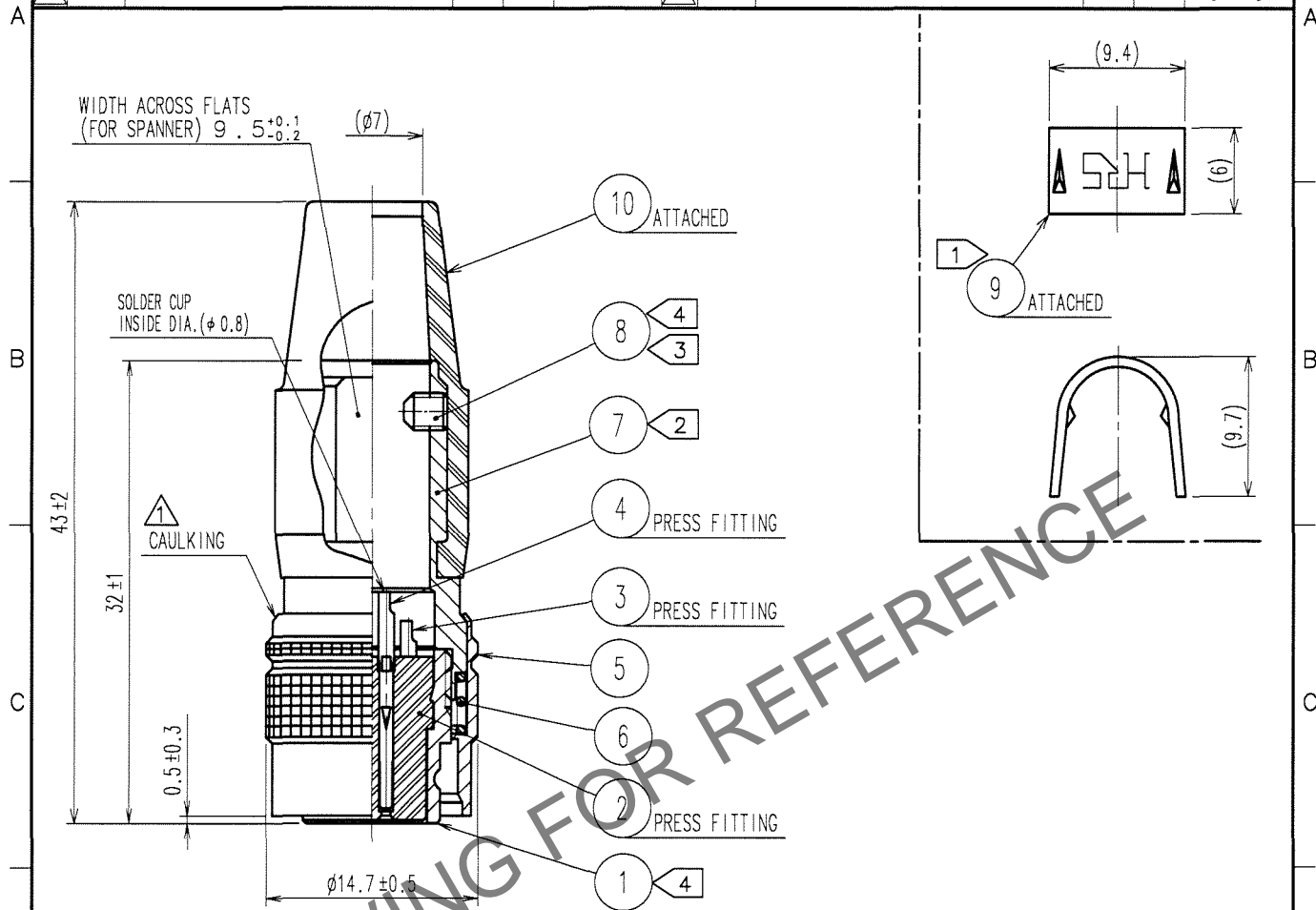


Sep. 1. 2023 Copyright 2023 HIROSE ELECTRIC CO., LTD. All Rights Reserved.  
In case of consideration for using Automotive equipment / device which demand high reliability, kindly contact our sales window correspondents.

1			2			3			4					
COUNT	DESCRIPTION OF REVISIONS	BY	CHKD	DATE	COUNT	DESCRIPTION OF REVISIONS	BY	CHKD	DATE	COUNT	DESCRIPTION OF REVISIONS	BY	CHKD	DATE
1	DIS-C-000409	D.M.	M.S.	06.12.19										



- NOTE
- ① HAND CRIMPING TOOL, REF. NO. ⑨: HR10A-TC-02 (CL150-0041-2)  
THE HOLE DIAMETER FOR CRIMPING: φ 7.0
  - ② THE RECOMMENDED CLAMP TORQUE, REF. NO. ⑦: 2-2.5 N · m.
  - ③ ACROSS FLATS HEXAGON HEAD OF REF. NO. ⑧: 1.27  
THE RECOMMENDED CLAMP TORQUE, REF. NO. ⑧: 0.3-0.4 N · m.
  - ④ LOCTITE 242, HENKEL JAPAN OR EQUIVALENT IS RECOMMENDED TO PREVENT REF. NO. ① AND ⑧ FROM LOOSENING.
  - ⑤ ONE EXAMPLE OF THE ROTATION OF REF. NO. ⑦ TO REF. NO. ① IS SHOWN.

5	BRASS	MATTE FINISH NICKEL PLATED	10	CR	(BLACK)
4	PHOSPHOR BRONZE	SILVER PLATING 2 μ m min.	9	BRASS	
3	PHOSPHOR BRONZE		8	STEEL	NICKEL PLATING
2	POLYAMIDE	(BLACK) UL94V-0	7	BRASS	NICKEL PLATING
1	ZINC ALLOY	MATTE FINISH NICKEL PLATED	6	STEEL	NICKEL PLATING
NO.	MATERIAL	FINISH, REMARKS	NO.	MATERIAL	FINISH, REMARKS

CODE NO. (OLD)	DRAWN	DESIGNED	CHECKED	APPROVED	RELEASED
CL	D. MATSUNE	D. MATSUNE	E. KUNII	M. SATO	
	'05.10.01	'05.10.01	'05.10.03	'05.10.14	

TO
R

SACLE 2 : 1 UNITS mm	DRAWING NO. EDC4-021367-73	PART NO. HR10A-10P-10S(73)
	HRS HIROSE ELECTRIC CO., LTD.	CODE NO. CL110-0408-6-73