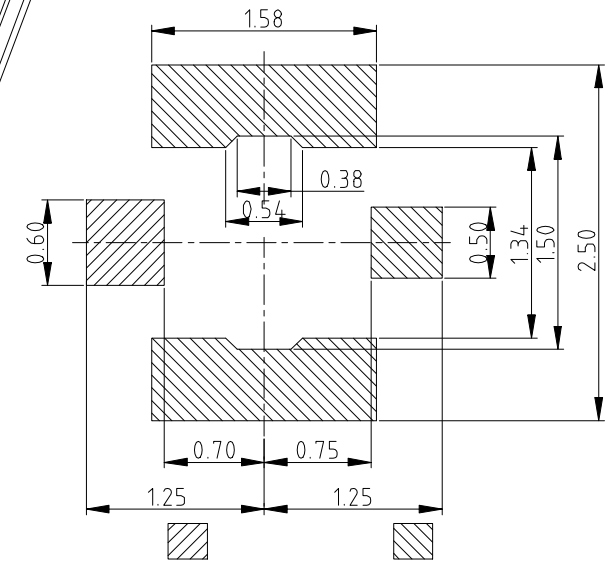
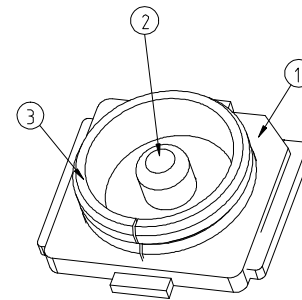
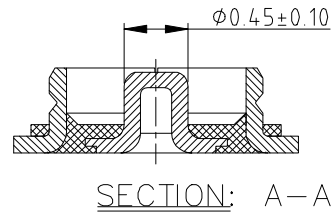
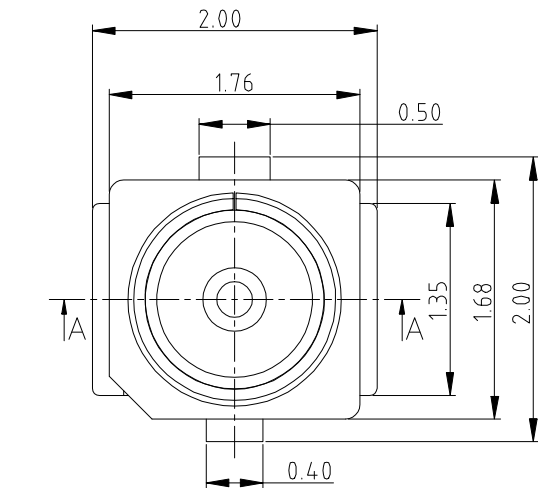
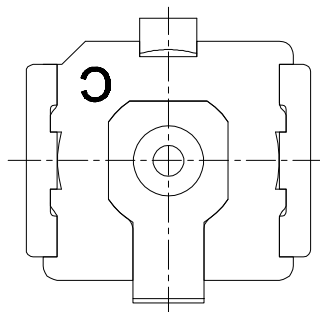
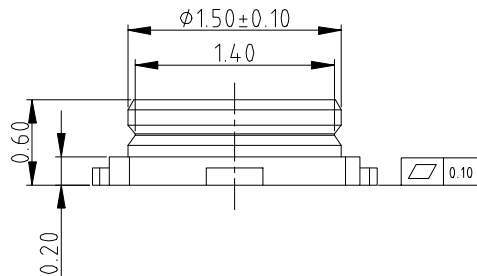


Rev.	DATE	APPD
A	2012/12/25	IVAN WANG
B	2013/05/09	IVAN WANG
C	2014/06/24	IVAN WANG
D	2017/02/24	Jarvan
E	2018/05/25	WESLEY



SIGNAL CONTACT GROUND CONTACT
P.C.B DIMENSION (TOP VIEW)
(TOLERANCE ± 0.05)



- NOTES:
- FREQUENCY RANGE:
DC TO 6GHZ (VSWR: 1.3MAX AT 0.1~3GHZ, 1.5MAX AT 3~6GHZ)
 - CHARACTERISTIC IMPEDANCE: 50Ω (NOMINAL);
 - TEMPERATURE: -40°C TO $+90^{\circ}\text{C}$;
 - RATED VOLTAGE : 60VAC;
 - CONTACT RESISTANCE :
20m Ω MAX.(SIGNAL CONTACT)
10m Ω MAX.OHM MAX.(GROUND CONTACT)
 - WITHSTAND VOLTAGE : 200VAC FOR 1 MINUTE MIN;
 - INSULATION RESISTANCE : 500M Ω MIN. AT 100VDC;
 - THIS COMPONENT IS HALOGEN FREE.

3	GROUND CONTACT	1	COPPER ALLOY	Au 0.03 μm Min. over Ni 1.27 μm Min.
2	SIGNAL CONTACT	1	COPPER ALLOY	Au 0.05 μm Min. over Ni 1.27 μm Min.
1	HOUSING	1	THERMOPLASTIC	UL94V-0,GF=30%
ITEM	NAME	Q'TY	MATERIAL	FINISH
TOLERANCES UNLESS OTHERWISE SPECIFIED				
X.	/	.XXX	/	
.X	± 0.15	X. $^{\circ}$	$\pm 1^{\circ}$	
.XX	± 0.10	.X. $^{\circ}$	$\pm 0.5^{\circ}$	
THESE DRAWINGS AND SPECIFICATIONS ARE THE PROPERTY OF KUNSHAN COCENTRA ELECTRONICS Co.LTD. AND SHALL NOT BE REPRODUCED, COPIED OR USED IN ANY MANNER WITHOUT THE PRIOR WRITTEN CONSENT OF KUNSHAN COCENTRA ELECTRONICS Co.LTD.				
SERIES: RF BOARD END			TITLE: RF 4G BOARD END	
APPD: Wesley 2018/05/25			PART No.: XDRF-01501-4R	
CKD: Roy.D 2018/05/25			DWG No.: 307-0000-0033	
DR: Roy.D 2018/05/25				
	UNITS MM		MAT'L	
	SCALE 1:1		SHEET 1/1	
REV. E				

深圳市连欣科技有限公司

包装作业规范/PACKING SPECIFICATION

文件编号/SPEC. No.	SPP-CW-044	
版次/REV.	B	页次/PAGE 1/3

适用范围/APPLICATION	XDRF-01501-4R
------------------	----------------------

修 订 履 历

版次	ECN No.	修 订 内 容	修 订 日 期	批 准
A	ECN180313-001	初次发行	2018/03/13	Wesley
B	ECN180420-001	修改产品摆放方向 (产品倒角边朝上, 与载带孔同向)	2018/04/20	Wesley

包装材料清单

名称	料号	规格	用量
泡棉	081-0121-005	/	0.00007PCS
Reel盘	081-0012-116	/	0.00007PCS
盖带	081-0012-117	/	A/RPCS
载带	084-0012-3110-W	/	0.00007PCS
防水袋	080-0012-0038	/	0.000003PCS
外箱	080-0056-626	/	0.000003PCS
成品包装标签	080-1011-319	/	0.00003PCS

包装容量

厂内料号	产品单重 (g)	每盘净重 (KG)	每盘装数 (PCS)	每盘总重 (KG)
XDRF-01501-4R	0.00000395	0.1778	15000	2.15

备注:

1. 产品出货时, 每箱毛重以实际称重为准.

核准/APPD:	审核/CHKD:	制作/PRPD: Roy.D 2018/04/20
----------	----------	---------------------------