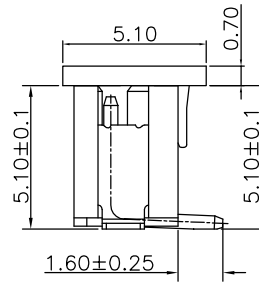
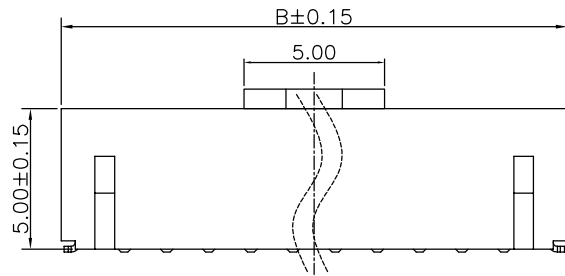
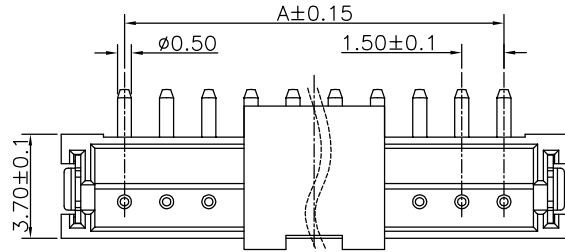
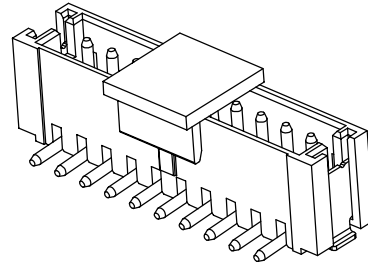


RoHS

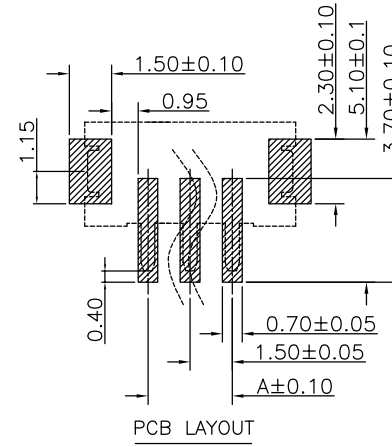
NO.	COMPONENTS	MATERIALS	SPECIFICATION:FINISH/COLOR	QTY.
1	HOUSING	High Temperature Plastic(UL94V-0)	Natural	1
2	CONTACT	BRASS	Nickel Underplated,Tin Over All	N
3	SOLDER TAB	BRASS	Nickel Underplated,Tin Over All	2



NOTE(UNLESS OTHERWISE SPECIFIED):
 1. ALL MATERIAL MUST BE COMPLY WITH ROHS.
 2. PRODUCT PERFORMANCE:
 2.1 RATED VOLTAGE(MAX.):50V AC/DC
 2.2 RATED CURRENT(MAX.):1.0A AC/DC
 2.3 DIELECTRIC STRENGTH:500V AC FOR 1 MINUTE BETWEEN ADJACENT TERMINAL, NO BREAKDOWN
 2.4 INSULATION RESISTANCE:500 MΩ MIN. 500VDC FOR 1 MINUTE BETWEEN ADJACENT TERMINAL
 2.5 CONTACT RESISTANCE:20 mΩ MAX.
 2.6 OPERATING TEMPERATURE:-25°C to +85°C
 3.PART NO. LEGEND:

1WF05-2140XX-00001
 00001:Water code
 See the table below
 004: 4PIN

PIN	DIM A	DIM B
2P	1.50	6.00
3P	3.00	7.50
4P	4.50	9.00
5P	6.00	10.50
6P	7.50	12.00
7P	9.00	13.50
8P	10.50	15.00
9P	12.00	16.50
10P	13.50	18.00
11P	15.00	19.50
12P	16.50	21.00
13P	18.00	22.50
14P	19.50	24.00
15P	21.00	25.50
16P	22.50	27.00



规格	新品号
2P	1WF05-214002-00001
3P	1WF05-214003-00001
4P	1WF05-214004-00001
5P	1WF05-214005-00001
6P	1WF05-214006-00001
7P	1WF05-214007-00001
8P	1WF05-214008-00001
10P	1WF05-214010-00001
12P	1WF05-214012-00001
13P	1WF05-214013-00001

5.0				DRAWING:	GENERAL TOLERANCE	
4.0				ShunMingWen	.X:=±0.30	.X':=±2°
3.0				CHECKED:	.XX:=±0.20	.XX':=±1°
2.0	22.03.10	Increase the cover	ShunMingWen	Tianhai	.XXX:=±0.10	.XXX':=±0.5°
1.0	21.08.26	NEW	ShunMingWen	APPROVAL:	UNIT: MM	PROJECTION:
NO.	DATE	DESCRIPTION	DRAWING	Cykin	SCALE: 1/1	
					SHEET: 1/1	

DRAWING:		GENERAL TOLERANCE	
ShunMingWen		.X:=±0.30	.X':=±2°
CHECKED:		.XX:=±0.20	.XX':=±1°
Tianhai		.XXX:=±0.10	.XXX':=±0.5°
APPROVAL:		UNIT: MM	PROJECTION:
Cykin		SCALE: 1/1	
		SHEET: 1/1	

HIN-BAN
Electronic Technology

DESCRIPTION:
1.5PITCH WAFER VERTICAL TYPE SMT CONN

PART NO:	1WF05-2140XX-00001	REV: 2.0
DRAWING NO:	UK0458	SIZE: A4