

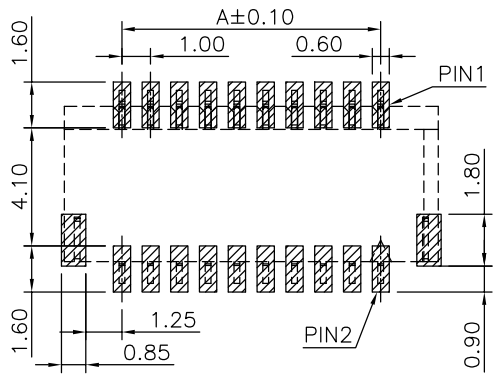
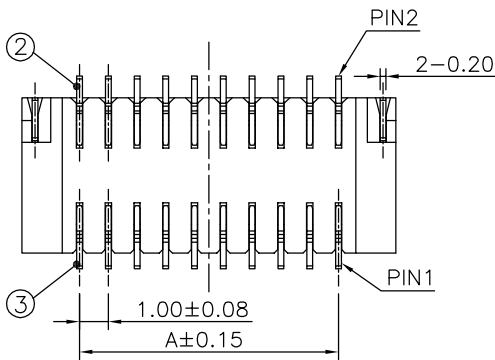
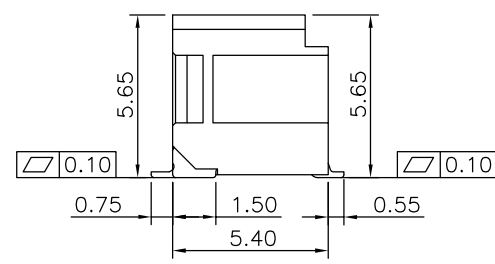
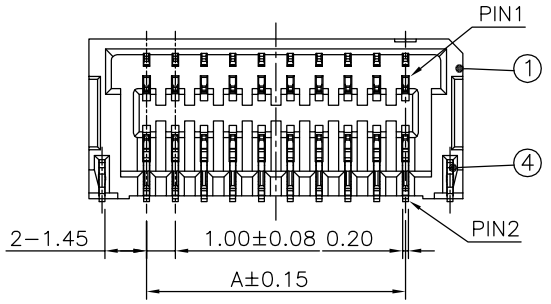
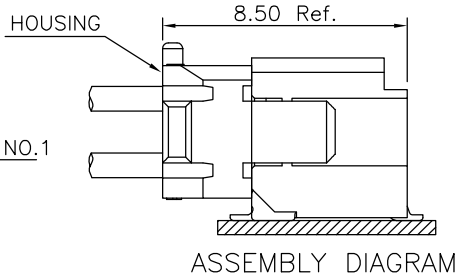
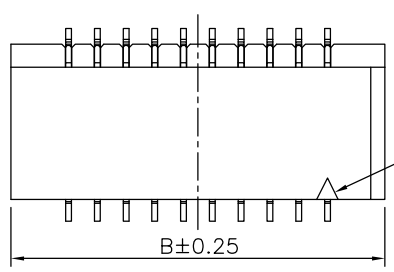
RoHS

NO.	PART NAME	MATERIALS	DESCRIPTION	REMARK	QTY.
1	HOUSING	NYLON UL94-V0		NATURAL	1
2	CONTACT PIN	PHOSPHOR BRONZE	G/F, 2u", 3u", 5u", 10u", 15u", 30u", TIN-PLATED		N
3	CONTACT PIN	PHOSPHOR BRONZE	G/F, 2u", 3u", 5u", 10u", 15u", 30u", TIN-PLATED		N
4	SOLDER TAB	BRASS	G/F, TIN-PLATED		2

NOTE(UNLESS OTHERWISE SPECIFIED):
 1. ALL MATERIAL MUST BE COMPLY WITH ROHS.
 2. PRODUCT PERFORMANCE:
 2.1 RATED VOLTAGE(MAX.):50V AC/DC
 2.2 RATED CURRENT(MAX.):1A AC/DC(AWG.#28)
 2.3 DIELECTRIC STRENGTH:500V AC FOR 1 MINUTE BETWEEN ADJACENT TERMINAL, NO BREAKDOWN
 2.4 INSULATION RESISTANCE:100 MΩ MIN.
 2.5 CONTACT RESISTANCE:30 mΩ MAX.
 2.6 OPERATING TEMPERATURE:-25°C to +85°C
 3.PART NO. LEGEND:1WF02-325XXX-00XXX

CODE
 XXX: XX POSITIONS

PART NO.	POLES	DIM A	DIM B
1WF02-325006-00002	2*3P	2.00	6.00
1WF02-325008-00002	2*4P	3.00	7.00
1WF02-325010-00002	2*5P	4.00	8.00
1WF02-325012-00002	2*6P	5.00	9.00
1WF02-325014-00002	2*7P	6.00	10.00
1WF02-325016-00002	2*8P	7.00	11.00
1WF02-325020-00002	2*10P	9.00	13.00
_____	2*11P	10.00	14.00
_____	2*12P	11.00	15.00
_____	2*13P	12.00	16.00
_____	2*15P	14.00	18.00
_____	2*20P	19.00	23.00
_____	2*25P	24.00	28.00



RECOMMENDED P.C.B BOARD LAYOUT ±0.05

REV.	DATE	DESCRIPTION	DRAWING
5.0			
4.0	22.10.12	Newly added product specifications	ZQH
3.0	22.06.24	Update the drawing frame	ZQH
2.0	21.10.29	New specification number	ZQH
1.0	21.03.23	NEW	LWJ

DRAWING: LWJ	GENERAL TOLERANCE .X:=±0.30 .X*:=±2° .XX:=±0.20 .XX*:=±1° .XXX:=±0.10 .XXX*:=±0.5°
CHECKED: Tianhai	UNIT: MM PROJECTION:
APPROVAL: Cykin	SCALE: 1/1 SHEET: 1/1

HIN-BAN
 Electronic Technology

DESCRIPTION: PITCH1.0mm DISCONNECTABLE CRIMP STYLE CONNECFORS	PART NO: 1WF02-325XXX-00XXX	REV: 4.0
DRAWING NO: UK0479	SIZE: A4	