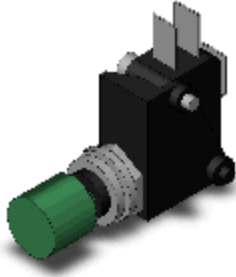


押ボタンスイッチ(丸胴形φ10.5)  
VAQ-4G-L

Cylindrical (10.5 mm dia.), Round type, Green, IP00, Momentary, SPDT, Quick connect terminal (#187) / Solder terminal



Image

Type	Pushbutton Switch (Cylindrical 10.5-dia.)
Shape	Cylindrical type (10.5 mm dia.)
Operating portion	Round type Green
Lighted method	Non-lighted
Terminal	Quick connect terminal (#187) / Solder terminal

Ratings

情報更新 : 2020/10/12

Type	Pushbutton Switch (Cylindrical 10.5-dia.)	
Shape	Cylindrical type (10.5 mm dia.)	
Lighted/Non-lighted	Non-lighted	
Operating portion	Shape of operating portion	Round type
	Color of operating portion	Green
Operating function	Momentary	
Contact rating	Contact form	SPDT
	Ratings (AC)	Resistive load: 15 A at 125 VAC/15 A at 200 VAC Lamp load: 2 A at 125 VAC/2 A at 200 VAC Inductive load: 10 A at 125 VAC/10 A at 200 VAC Motor load: 3 A at 125 VAC/3 A at 200 VAC
	Ratings (DC)	Resistive load: 15 A at 8 VDC/10 A at 30 VDC/0.6 A at 125 VDC/0.3 A at 250 VDC Lamp load: 4 A at 8 VDC/4 A at 30 VDC/0.1 A at 125 VDC/0.05 A at 250 VDC Inductive load: 10 A at 8 VDC/10 A at 30 VDC/0.6 A at 125 VDC/0.3 A at 250 VDC Motor load: 6 A at 8 VDC/4 A at 30 VDC/0.1 A at 125 VDC/0.05 A at 250 VDC
	Ratings explanation	The values indicate the steady-state current. Lamp load has an inrush current of 10 times the steady-state current. Inductive load has a power factor of 0.4 Min. (AC) and a time constant of 7 ms Max. (DC). Motor load has an inrush current of 6 times the steady-state current. Conditions: Temperature 20±2 °C, Ambient humidity 65±5% RH, Operating frequency 20 operations/min
Terminal specifications	Quick connect terminal (#187) / Solder terminal	
Permissible operating frequency	Electrical: 20 operations / 1 minute Mechanical: 120 operations / 1 minute	
Inrush current	NC: 36 A max. NO: 36 A max.	
Insulation resistance	100 MΩ min. (at 500 VDC)	
Dielectric strength	Between each terminal of the same polarities: 1000 VAC 50/60 Hz 1 min Between live-metallic part and ground: 1500 VAC 50/60 Hz 1 min Between each terminal and non-live-metallic part: 1500 VAC 50/60 Hz 1 min	
Vibration resistance	Malfunction: 10 to 55 Hz, 1.5 mm double amplitude (malfunction: 1 ms max.)	

Shock resistance	Destruction: 500 m/s <sup>2</sup> max. Malfunction: 200 m/s <sup>2</sup> max. (malfunction time is 1 ms max.)
Ambient temperature range	Operating: -25 to 80 °C (with no freezing or condensation) Storage: -25 to 80 °C (with no freezing or condensation)
Ambient humidity range	Operating: 35 to 85% RH
Degree of protection	IP00
Classification of protection against electric shock	Class II
PTI (Tracking characteristic)	175
Pollution degree	3 (IEC947-5-1)

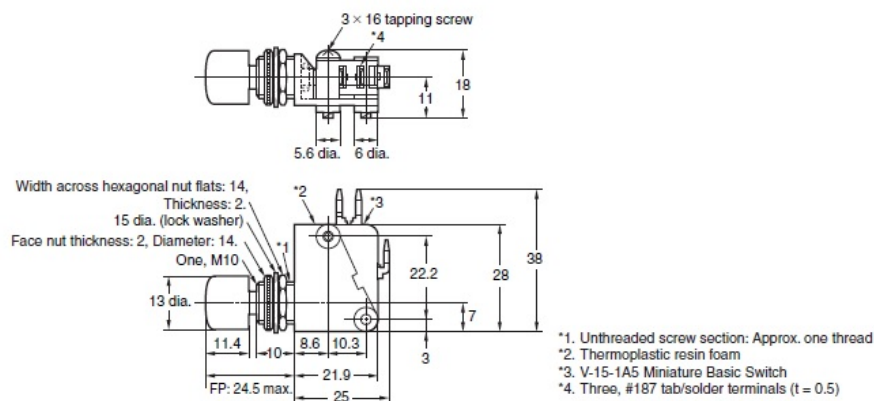
#### Operating characteristics

Operating Force (OF)	1.96 N min.
Release Force (RF)	0.39 N min.
Pre-Travel (PT)	1.3 mm max.

情報更新 : 2020/10/12

#### Dimensions

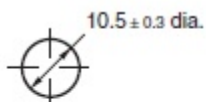
情報更新 : 2020/10/12



情報更新 : 2020/10/12

#### Mounting hole dimensions

情報更新 : 2020/10/12



Note: Recommended panel thickness: 1 to 4 mm.

情報更新 : 2020/10/12