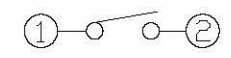
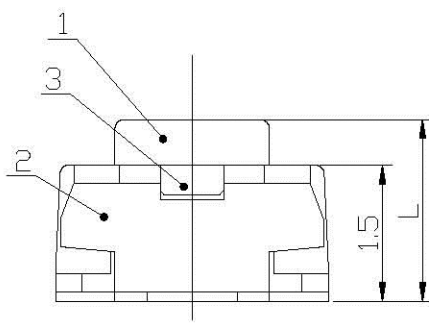
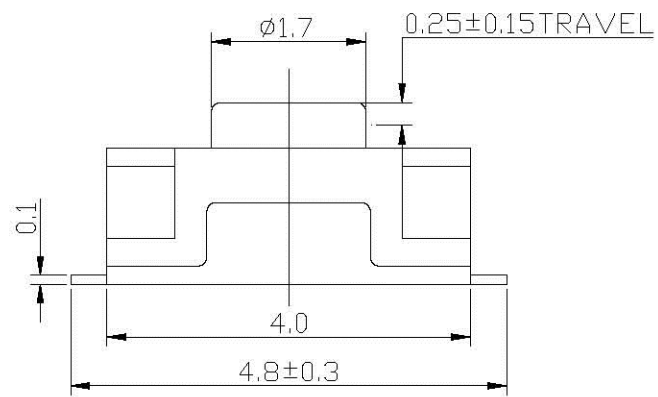
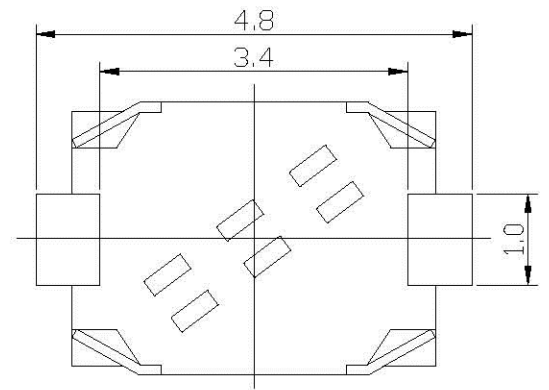


P.C.B LAYOUT



SCHEMATIC

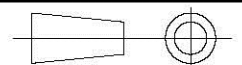


MODEL NO.	L
TD-48XF	2.0
TD-48XH	2.5

**连欣科技** 深圳市连欣科技有限公司  
Lian Xin Technology

PAPT NO: XDTD-0304-\* (H) 15

轻触按键开关 3\*4\*H



TOLERANCE  
 ≤1.5±0.1  
 > 1.5±0.2

ANGLE TOL  
 ±2°

UNIT : MM	DWN.	DATE
SCALE : 12 : 1	CHK'D	DATE
VERSION 01	APPD.	DATE

NO.	PART NAME	MATERIAL	QTY.	FINISHING
6	SEAL PLATED	PET	1	YBLLLOW
5	CONTACT	SUS	2	Ag CLAD
4	TRMRINAL	BRASS STRIP	2	Ag PLATED
3	COVER	SUS	1	NATURE
2	CASE	LCP	1	BLACK
1	KNOB	NYLON	1	BLACK