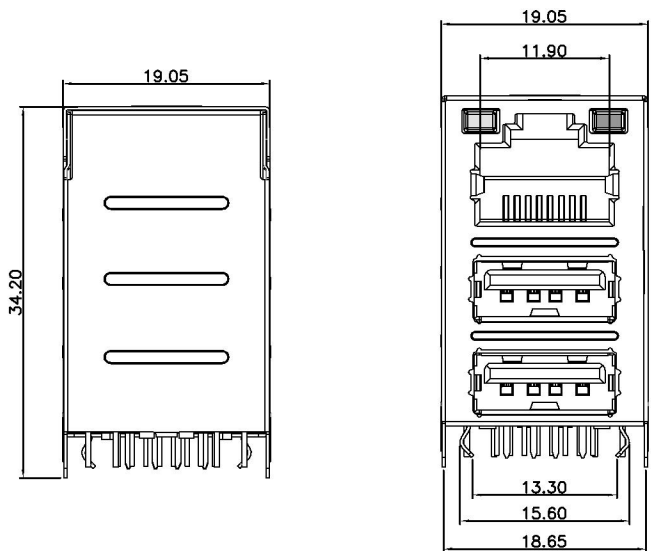


RoHS

REV.	ECN NO.	LOCATIONS	DESCRIPTION	DATE	DESIGN
A0			New Design	2014.10.20	Jerry



NOTE:

1.MATERIAL:

Housing: High temp. Thermo plastics,PBT ,BK,UL94V-0
 Contact:Copper Alloy
 Shell: Steel

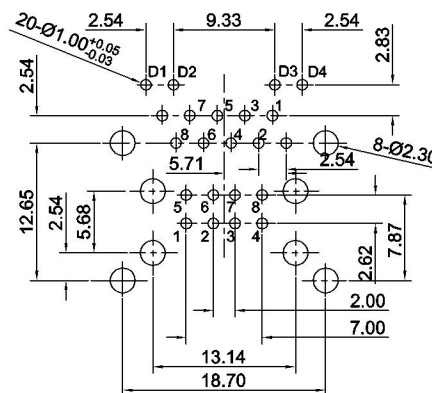
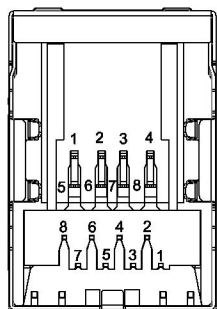
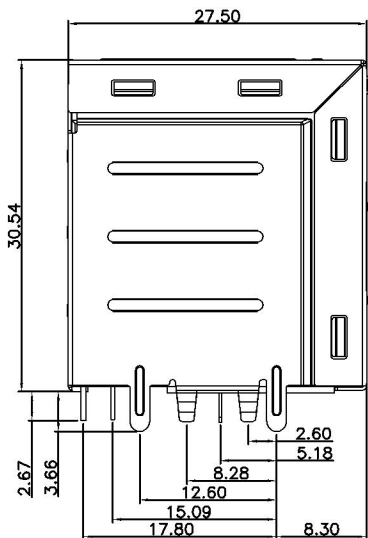
2.Electrical performance:

Voltage Current Rating:1.5 AMP. 30V AC
 Insulation Resistance:1000M Ω Min.
 Contact Resistance:30 m Ω Max.
 Dielectric Withstanding Voltage:500V AC

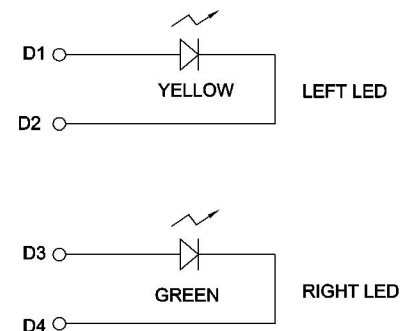
3.Temperature Range:-45℃ to +85℃

4.FINISH:

Contact:Tin Plating 100u" on solder tail area,
 RJ45 Gold plating 1u" on contact area.
 USB Gold plating 1u" on contact area,
 30u" min Ni underplating over all.



RECOMMENDED P.C.B. PATTERN LAYOUT
 COMPONENT SIDE SHOWN



UNIT: mm [inch]	深圳市连欣科技有限公司	
	DESIGN: Jerry Li	PART NAME: RJ45+双层USB2.0带LED左黄右绿
	CHECKED: Jerry Li	PART NO. XDRJ-0656-A01
	APPROVED: J Mou	DRAW NO. SLC-656-A
SCALE:1:1 SIZE:A4	SHEET NO. 01 OF 01	