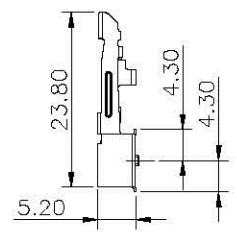
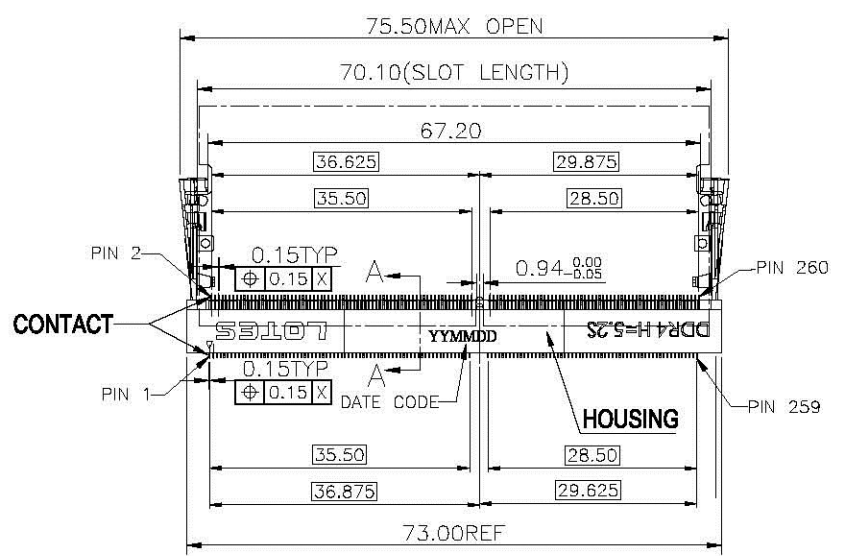
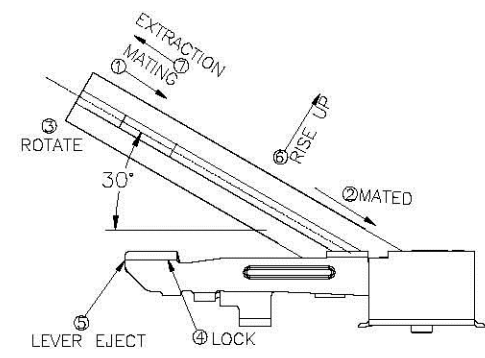
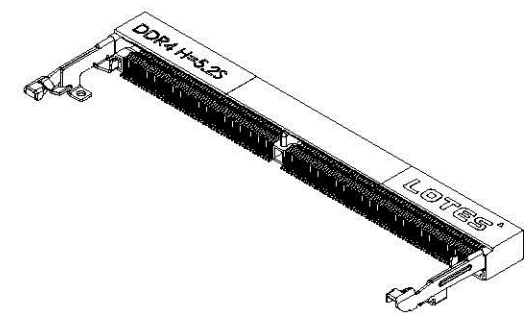
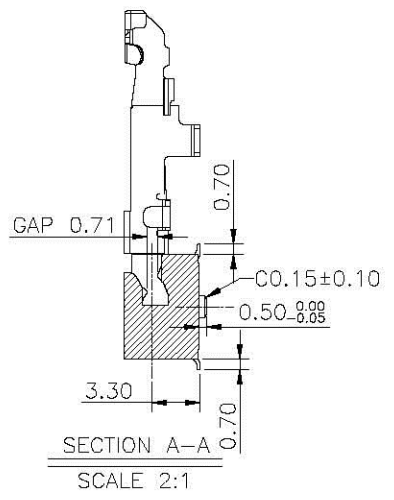
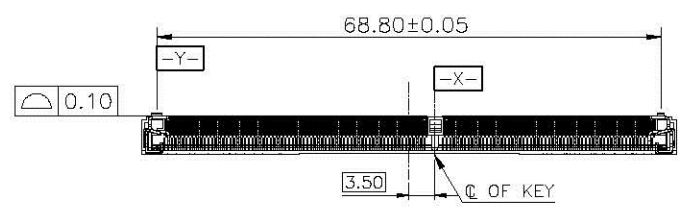
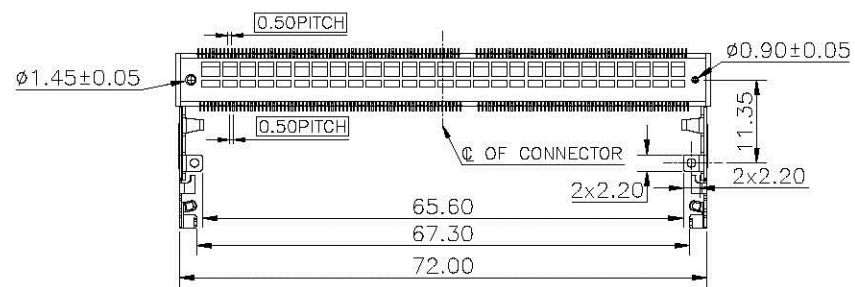


REV.	ECR/N NO./DESCRIPTION	DATE	DRAWN	CHECKED	APPROVE
C	RD140**	05/20'15	XU	Vito	Barney
D	RD140**	08/12'15	XU	Vito	Barney
E	RD140**	09/09'15	XU	Vito	Barney



GENERAL TOLERANCES UNLESS SPECIFIED		 深圳市连欣科技有限公司 Shenzhen City Lianxin Technology Co., Ltd							
X \pm 0.35	X° \pm 3°	PART NO.	TITLE						
.XX \pm 0.25	X° \pm 2°	XDDR0207-P001	SODDR4 5.2H 260 PIN STD TYPE						
.XXX \pm 0.15	.XX° \pm 1°	CHECKED BY Vito	DWG NO. AP-ADDR0207						
CUSTOMER DRAWING		DRAWN BY XU	<table border="1"> <tr> <th>SHEET</th> <th>SCALE</th> <th>REV</th> </tr> <tr> <td>1 / 5</td> <td>1 : 1</td> <td>E</td> </tr> </table>	SHEET	SCALE	REV	1 / 5	1 : 1	E
SHEET	SCALE	REV							
1 / 5	1 : 1	E							

NOTES:

1.MATERIALS:

HOUSING: LCP,UL 94V-0.

CONTACT: BRASS C2680.

LATCH: STAINLESS STEEL SUS301.

2.FINISH:

1)CONTACT:UNDERPLATED NICKEL 50~150u",
GOLD PLATED ON SOLDER AREA.
GOLD PLATED ON CONTACT AREA.(DETAL SEE TABLE)

2)LATCH:UNDERPLATED NICKEL 50~150u",MATTE TIN 80u" MIN.

3.ELECTRICAL PERFORMANCE

LLCR INITIAL 50mΩ MAX PER CONTACT.

FINAL ΔLLCR=20mΩ MAX

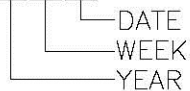
4.MECHANICAL PERFORMANCE,

MATING & UNMATING FORCE: 6.1 Kgf MAX.

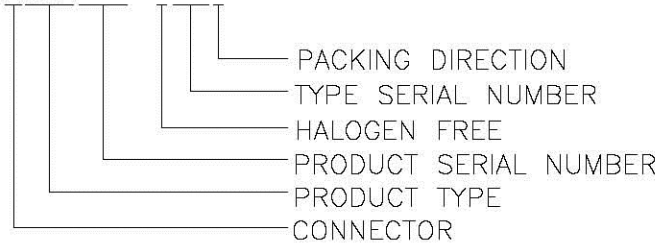
5.IR REFLOW:

THE PEAK TEMPRATURE ON THE BOARD SHALL BE
MAINTAINED FOR 10 SECONDS AT 260±5°C.

6. DC: XXXXXX



7.PRODUCT NUMBER NOTE:ADDR****-****

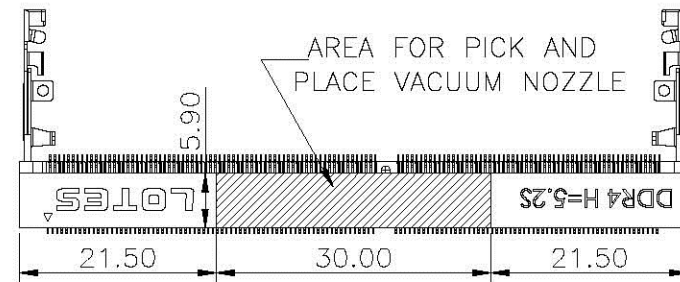


8.RoHS COMPLIANT.
HF COMPLIANT.

TABLE:

NO.	PART NO.	COLOR	DESCRIPTION
1	ADDR0207-P001A	BLACK	GOLD G/F ON CONTACT AREA
			GOLD G/F ON SOLDER AREA
2	ADDR0207-P002A	BLACK	GOLD 10u" ON CONTACT AREA
			GOLD G/F ON SOLDER AREA
3	ADDR0207-P003A	BLACK	GOLD 15u" ON CONTACT AREA
			GOLD G/F ON SOLDER AREA
4	ADDR0207-P004A	BLACK	GOLD 30u" ON CONTACT AREA
			GOLD G/F ON SOLDER AREA

标品



GENERAL TOLERANCES
UNLESS SPECIFIED

X± 0.35	X°± 3°
.XX± 0.25	X°± 2°
.XXX± 0.15	.XX°± 1°

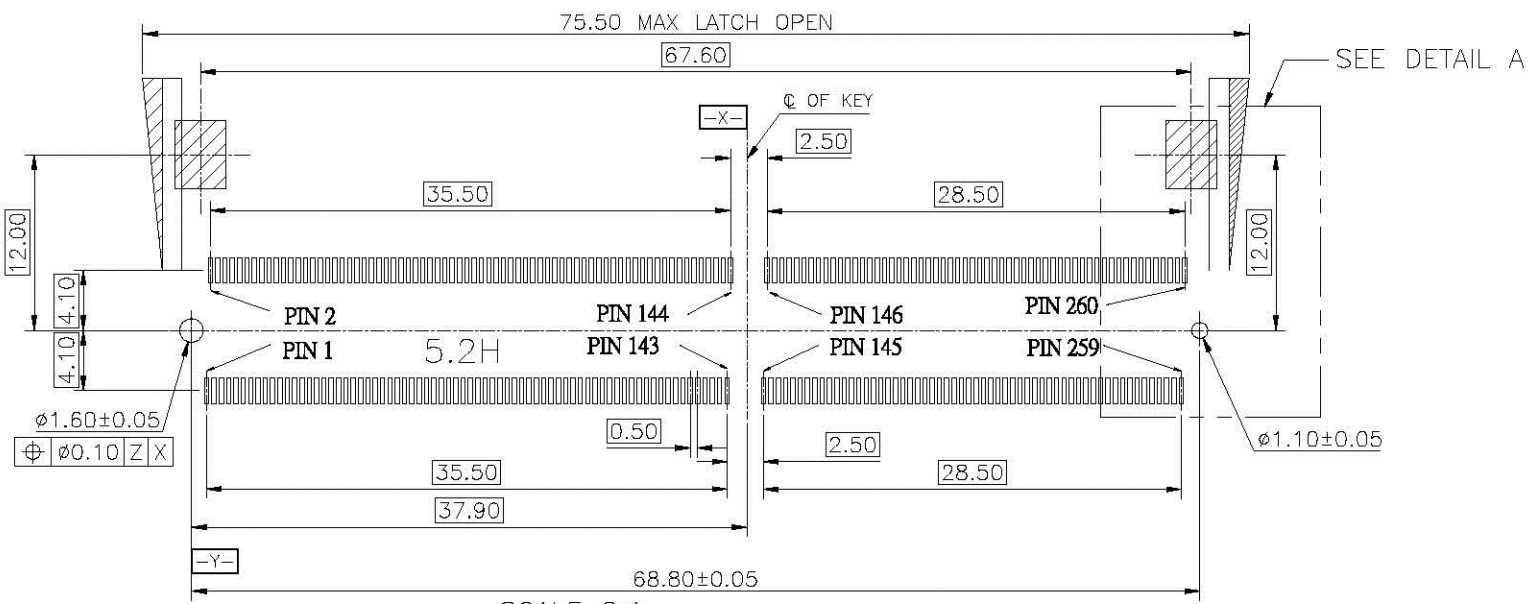


深圳市连欣科技有限公司
Shenzhen City Lianxin Technology Co., Ltd

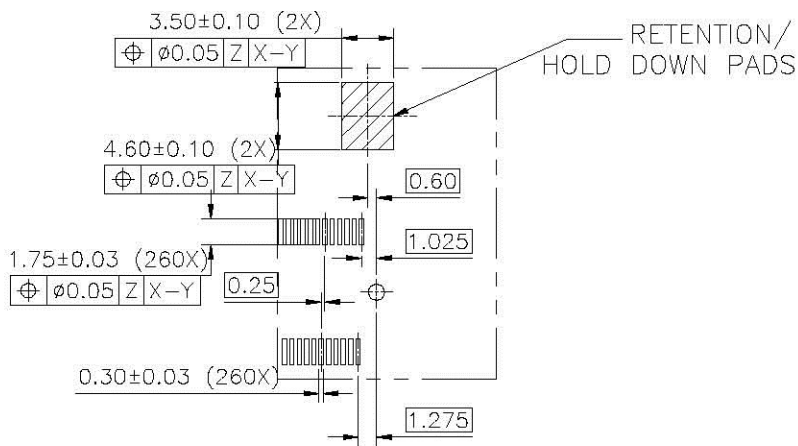
PART NO. XDDR0207-P001		TITLE SODDR4 5.2H 260 PIN STD TYPE			
CHECKED BY Vito		DWG NO. AP-ADDR0207			
SIZE A4	UNITS MM[INCH]	DRAWN BY XU		SHEET 2 / 5	SCALE 5 : 4
				REV E	

1 2 3 4 5 6 7 8

F
E
D
C
B
A



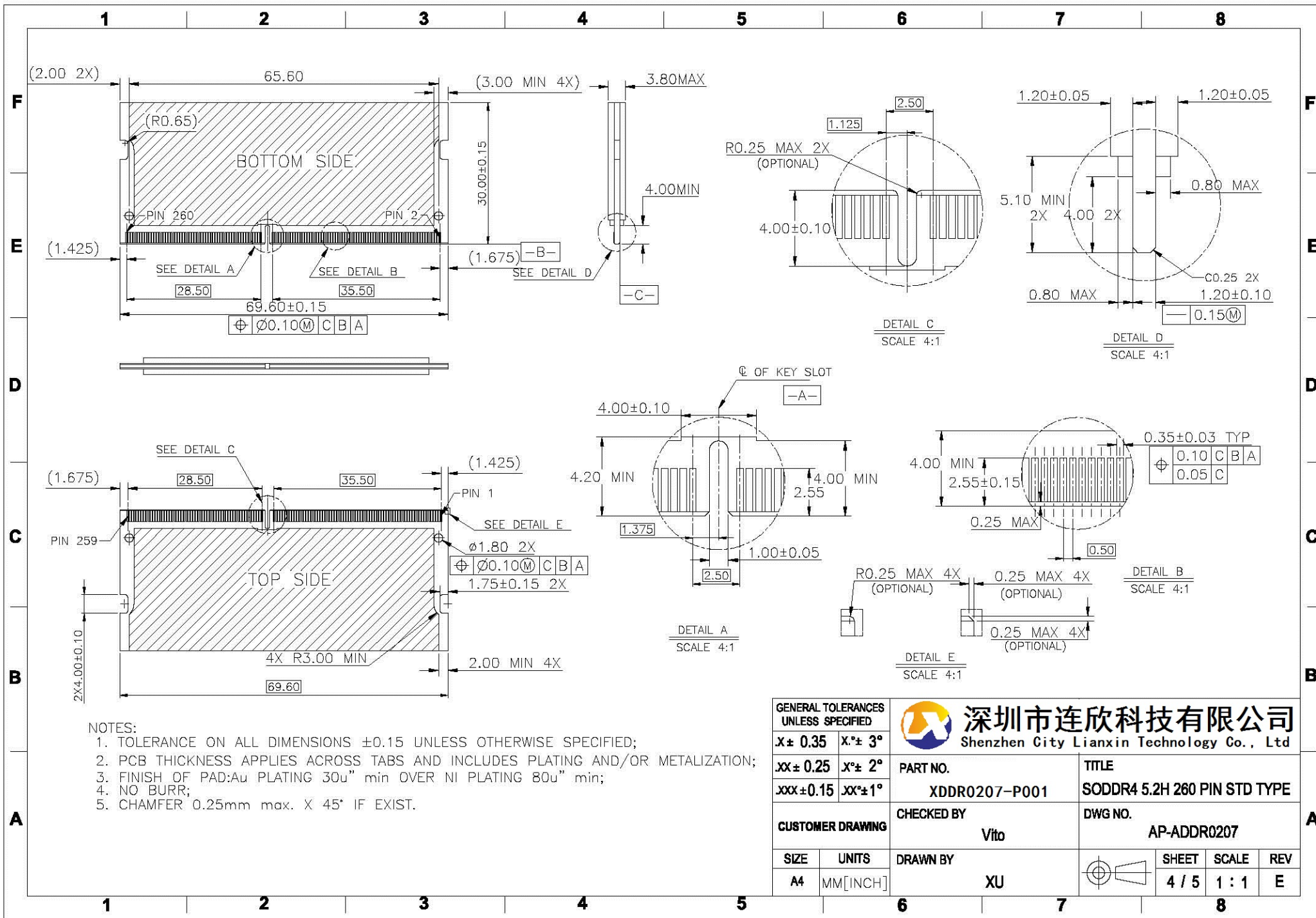
SCALE 2:1
TOP VIEW
RECOMMEND PCB LAYOUT (STANDARD)
THE TOLERANCES UNLESS SPECIFIED IS ±0.05MM

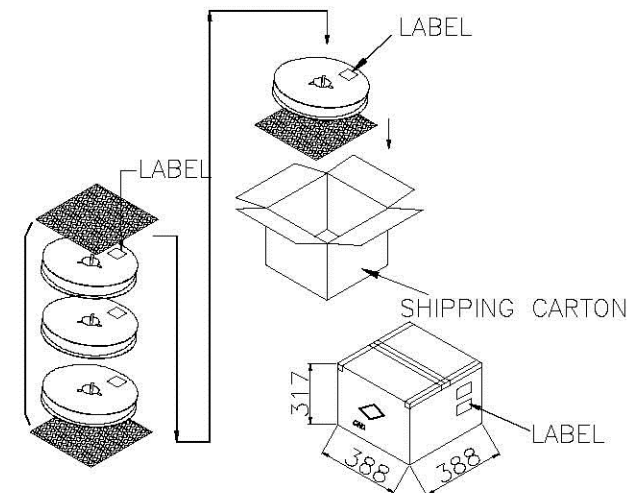
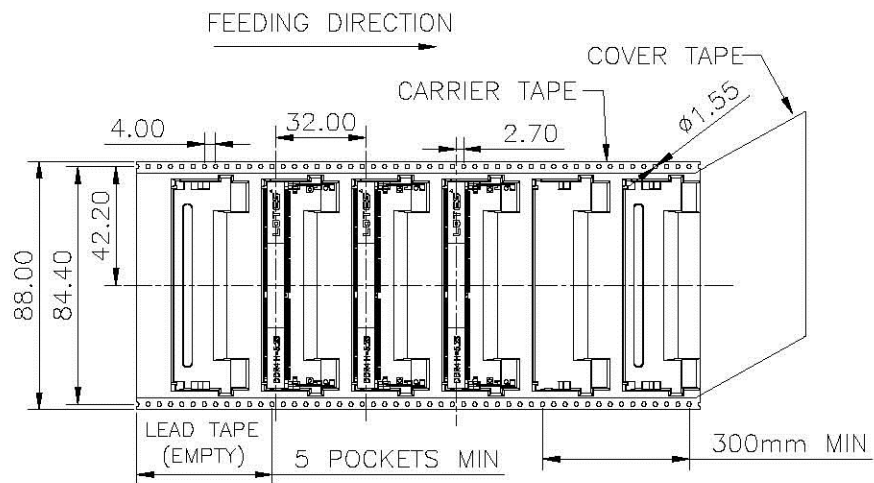


DETAIL A

GENERAL TOLERANCES UNLESS SPECIFIED		 深圳市连欣科技有限公司 Shenzhen City Lianxin Technology Co., Ltd	PART NO.			TITLE					
X± 0.35	X°± 3°		XDDR0207-P001			SODDR4 5.2H 260 PIN STD TYPE					
.XX± 0.25	X°± 2°		CHECKED BY Vito			DWG NO. AP-ADDR0207					
.XXX± 0.15	.XX°± 1°	CUSTOMER DRAWING			DRAWN BY				SHEET	SCALE	REV
		A4			XU						

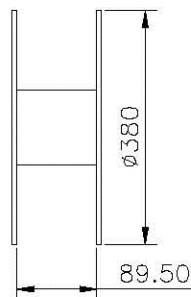
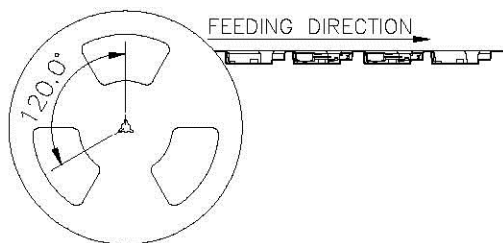
1 2 3 4 5 6 7 8





NOTES:

1. MATERIAL :
 - 1.1 CARRY TAPE: PS
 - 1.2 COVER TAPE: PET
 - 1.3 SHIPPING CARTON: CORRUGATED FIBER
2. DIMENSION :
 - 2.1 REEL: W=88.0, ϕ A=380
 - 2.2 SHIPPING CARTON: L=388, W=388, H=317 (INNER)
3. QUANTITY :
 - 3.1 PRIMARY PACKING: 300 PCS/REEL
 - 3.2 SECONDARY PACKING: 3 REELS/CARTON(900PCS)
4. PEELING RESISTANCE: 20gf~120gf.
5. PEELING SPEED: 300mm/minutes.



GENERAL TOLERANCES UNLESS SPECIFIED		 深圳市连欣科技有限公司 Shenzhen City Lianxin Technology Co., Ltd				
X± 0.35	X°± 3°					
.XX± 0.25	X°± 2°	PART NO.	TITLE			
.XXX± 0.15	.XX°± 1°	XDDR0207-P001	SODDR4 5.2H 260 PIN STD TYPE			
CUSTOMER DRAWING		CHECKED BY	DWG NO.			
		Vito	AP-ADDR0207			
SIZE	UNITS	DRAWN BY		SHEET	SCALE	REV
A4	MM[INCH]	XU		5 / 5	N/A	E