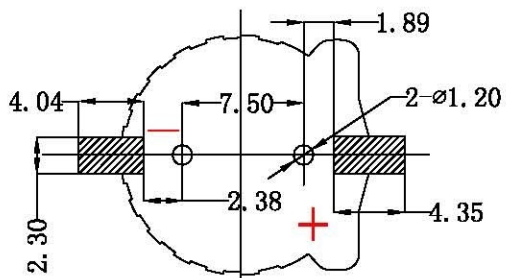
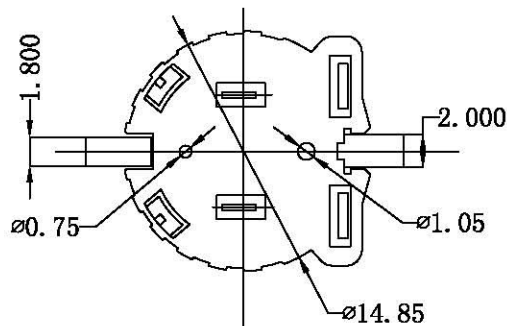
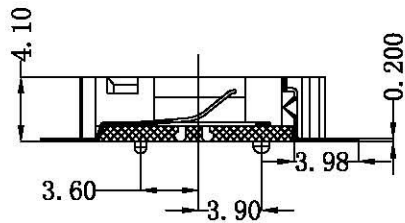
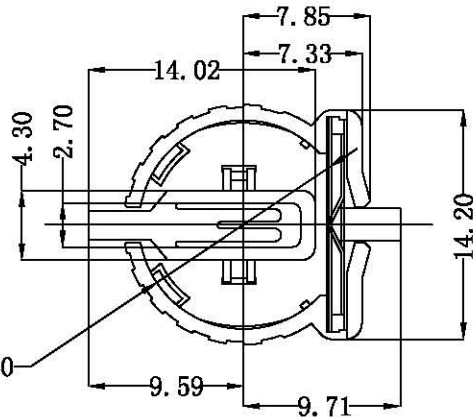




REV.	BCN NO.	REVISED	DATE



PCB Layout Diagram  
Top View

NOTE:  
 1.MATERIAL:  
 a.HOUSING:THERMOPLASTIC GLASS FIBRE UL94V-0  
 b.CONTACT:PHOSPHOR BRONZE  
 (SURFACE PLATING:A\*u")  
 SEE ORDERING INFORMATION  
 2.ELECTRIC:  
 a.CONTACT RESISTANCE: 30 MILLIOHMS MAX  
 b.INSULATION RESISTANCE: 1000 MEGA OHMS MIN  
 c.DIELECTNIC VOLTAGE: 750V AC ONE SEC LEVEL  
 d.OPERATING TEMPERATURE: -25°C~ +85°C

工程部  
2010.11.4  
ZhouRuiCai

3	TERMINAL (-)	1	PHOSPHOR BRONZE, T=0.20MM	Gold Plating and Ni Under-Plating
2	TERMINAL (+)	1	PHOSPHOR BRONZE, T=0.20MM	Gold Plating and Ni Under-Plating
1	HOUSING	1	PPS	BROWN
NO.	PART NAME	Q'TY	MATERIAL	PLATING & COLOR

UNLESS OTHERWISE SPECIFIED TOLERANCES		深圳市连欣科技有限公司				
DECIMALS: X :±0.30 X.X :±0.25 X.XX :±0.20 X.XXX :±0.10	ANGLES: X :±1° X.X :±0.5°	SCALE: 1:1	SIZE: A4	VIEW:	PART NO: XDCR-1220-006	
WEIGHT: 0.6 g		UNIT: mm	REV.: A/0	OBJECT: MY	TITLE: BS-1220-2SMT	
SHEET 1 OF 1		DSND	YangFeng	DATE		2010.11.3
		CHKD	ZhouRuicai	DATE		2010.11.3
		APVD	XueZhengy	DATE	2010.11.3	