

LM6118/LM6218 Fast Settling Dual Operational Amplifiers

General Description

The LM6118/LM6218 are monolithic fast-settling unity-gain-compensated dual operational amplifiers with ± 20 mA output drive capability. The PNP input stage has a typical bias current of 200 nA, and the operating supply voltage is ± 5 V to ± 20 V.

These dual op amps use slew enhancement with special mirror circuitry to achieve fast response and high gain with low total supply current.

The amplifiers are built on a junction-isolated VIP™ (Vertically Integrated PNP) process which produces fast PNP's that complement the standard NPN's.

Features

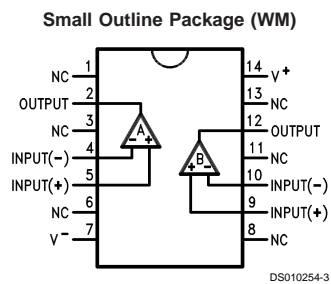
- Low offset voltage:
- 0.01% settling time:
- Slew rate $A_v = -1$:
- Slew rate $A_v = +1$:
- Gain bandwidth:
- Total supply current:
- Output drives 50 Ω load (± 1 V)

	Typical
Low offset voltage:	0.2 mV
0.01% settling time:	400 ns
Slew rate $A_v = -1$:	140 V/ μ s
Slew rate $A_v = +1$:	75 V/ μ s
Gain bandwidth:	17 MHz
Total supply current:	5.5 mA

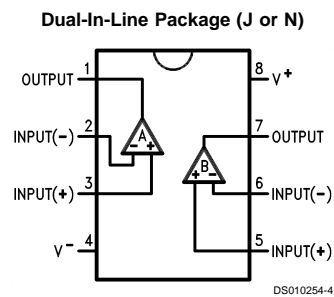
Applications

- D/A converters
- Fast integrators
- Active filters

Connection Diagrams and Order Information

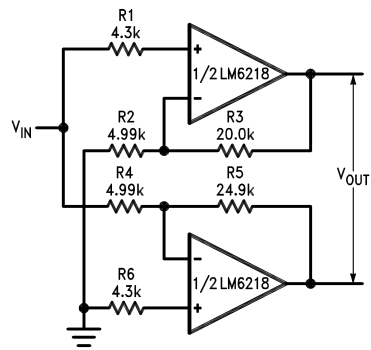


Top View
Order Number LM6218WM
See NS Package Number M14B



Top View
Order Number LM6118N,
LM6218AN or LM6218N
See NS Package Number N08E

Typical Applications



DS010254-1

Single ended input to differential output
 $A_V = 10$, $BW = 3.2$ MHz
40 V_{PP} Response = 1.4 MHz
 $V_S = \pm 15V$

**Wide-Band, Fast-Settling
40 V_{PP} Amplifier**

Absolute Maximum Ratings (Note 1)

If Military/Aerospace specified devices are required, please contact the National Semiconductor Sales Office/ Distributors for availability and specifications.

Total Supply Voltage	42V
Input Voltage	(Note 2)
Differential Input Current (Note 3)	±10 mA
Output Current (Note 4)	Internally Limited
Power Dissipation (Note 5)	500 mW
ESD Tolerance	
(C = 100 pF, R = 1.5 kΩ)	±2 kV

Junction Temperature	150°C
Storage Temperature Range	-65°C to +150°C
Lead Temperature	
(Soldering, 10 sec.)	300°C

Operating Temp. Range

LM6118	-55°C to +125°C
LM6218A	-40°C to +85°C
LM6218	-40°C to +85°C

Electrical Characteristics

±5V ≤ V_S ≤ ±20V, V_{CM} = 0V, V_{OUT} = 0V, I_{OUT} = 0A, unless otherwise specified. Limits with standard type face are for T_J = 25°C, and **Bold Face Type** are for **Temperature Extremes**.

Parameter	Conditions	Typ 25°C	LM6118 Limits (Note 6)	LM6218A Limits (Note 6)	LM6218 Limits (Note 6)	Units
Input Offset Voltage	V _S = ±15V	0.2	1 2	1 2	3 4	mV (max)
Input Offset Voltage	V ₋ + 3V ≤ V _{CM} ≤ V ₊ - 3.5V	0.3	1.5 2.5	1.5 2.5	3.5 4.5	mV (max)
Input Offset Current	V ₋ + 3V ≤ V _{CM} ≤ V ₊ - 3.5V	20	50 250	50 100	100 200	nA (max)
Input Bias Current	V ₋ + 3V ≤ V _{CM} ≤ V ₊ - 3.5V	200	350 950	350 950	500 1250	nA (max)
Input Common Mode Rejection Ratio	V ₋ + 3V ≤ V _{CM} ≤ V ₊ - 3.5V V _S = ±20V	100	90 85	90 85	80 75	dB (min)
Positive Power Supply Rejection Ratio	V ₋ = -15V 5V ≤ V ₊ ≤ 20V	100	90 85	90 85	80 75	dB (min)
Negative Power Supply Rejection Ratio	V ₊ = 15V -20V ≤ V ₋ ≤ -5V	100	90 85	90 85	80 75	dB (min)
Large Signal Voltage Gain	V _{out} = ±15V R _L = 10k V _S = ±20V	500	150 100	150 100	100 70	V/mV (min)
	V _{out} = ±10V R _L = 500 V _S = ±15V (±20 mA)	200	50 30	50 30	40 25	V/mV (min)
	V _O Output Voltage Swing	Supply = ±20V R _L = 10k	17.3	±17	±17	±17
Total Supply Current	V _S = ±15V	5.5	7 7.5	7 7.5	7 7.5	mA (max)
Output Current Limit	V _S = ±15V, Pulsed	65	100	100	100	mA (max)
Slew Rate, A _v = -1	V _S = ±15V, V _{out} = ±10V R _S = R _f = 2k, C _f = 10 pF	140	100 50	100 50	100 50	V/μs (min)
Slew Rate, A _v = +1	V _S = ±15V, V _{out} = ±10V R _S = R _f = 2k, C _f = 10 pF	75	50 30	50 30	50 30	V/μs (min)
Gain-Bandwidth Product	V _S = ±15V, f _o = 200 kHz	17	14	14	13	MHz (min)
0.01% Settling Time A _v = -1	ΔV _{out} = 10V, V _S = ±15V, R _S = R _f = 2k, C _f = 10 pF	400				ns
Input Capacitance	Inverter	5				pF
	Follower	3				pF

Note 1: Absolute Maximum Ratings indicate limits beyond which damage to the device may occur. DC and AC electrical specifications do not apply when operating the device beyond its rated operating conditions.

Note 2: Input voltage range is (V⁺ - 1V) to (V⁻).

Electrical Characteristics (Continued)

Note 3: The inputs are shunted with three series-connected diodes back-to-back for input differential clamping. Therefore differential input voltages greater than about 1.8V will cause excessive current to flow unless limited to less than 10 mA.

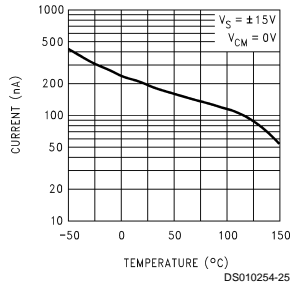
Note 4: Current limiting protects the output from a short to ground or any voltage less than the supplies. With a continuous overload, the package dissipation must be taken into account and heat sinking provided when necessary.

Note 5: Devices must be derated using a thermal resistance of 90°C/W for the N and WM packages.

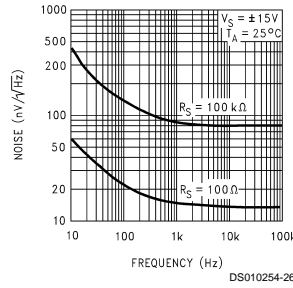
Note 6: Limits are guaranteed by testing or correlation.

Typical Performance Characteristics

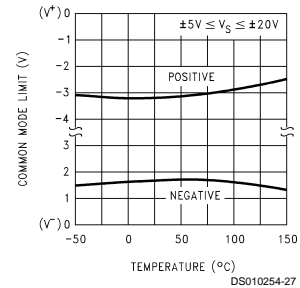
Input Bias Current



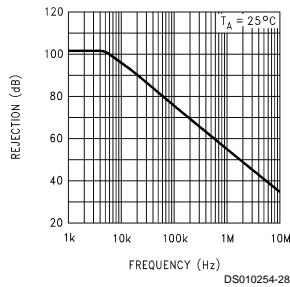
Input Noise Voltage



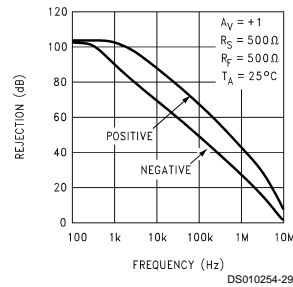
Common Mode Limits



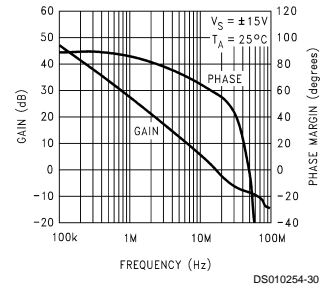
Common Mode Rejection



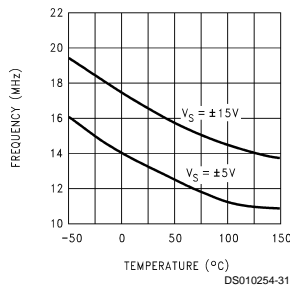
Power Supply Rejection



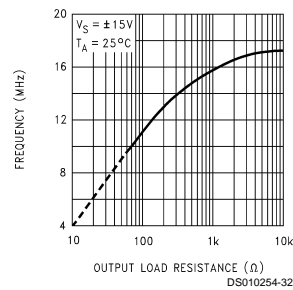
Frequency Response High Frequency



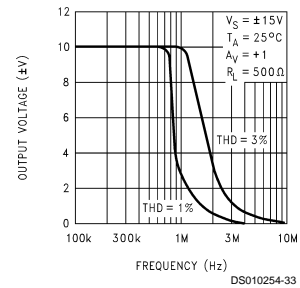
Unity Gain Bandwidth



Unity Gain Bandwidth vs Output Load

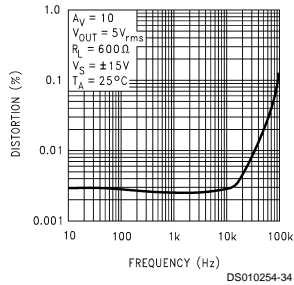


Large Signal Response (Sine Wave)

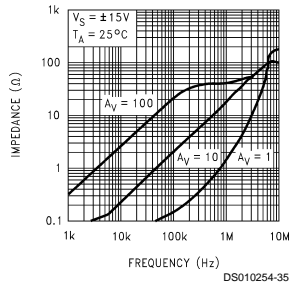


Typical Performance Characteristics (Continued)

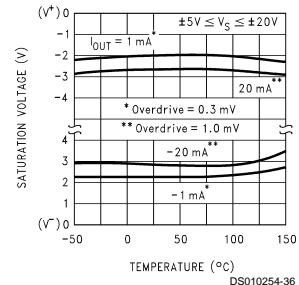
Total Harmonic Distortion



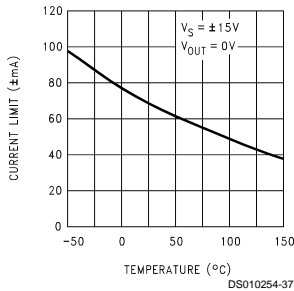
Output Impedance



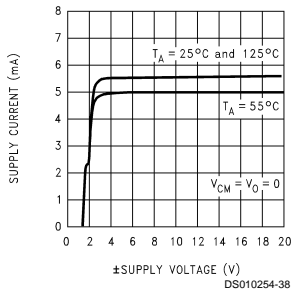
Output Saturation



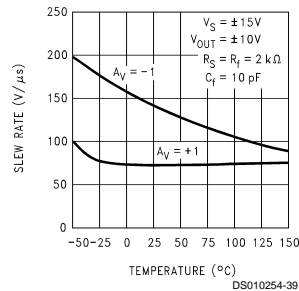
Output Current Limit



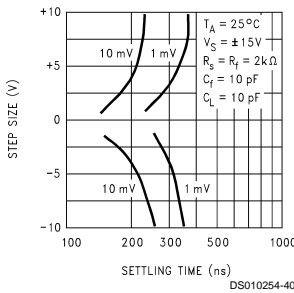
Supply Current (Both Amplifiers)



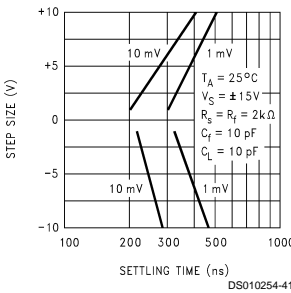
Slew Rate



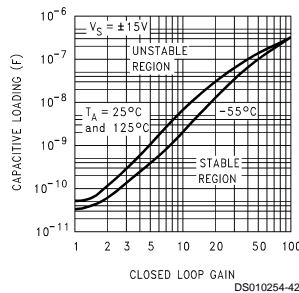
Inverter Settling Time



Follower Settling Time

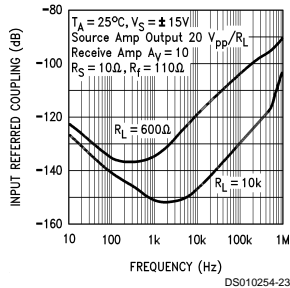


Typical Stability Range

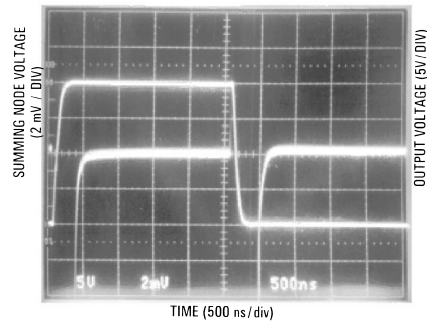


Typical Performance Characteristics (Continued)

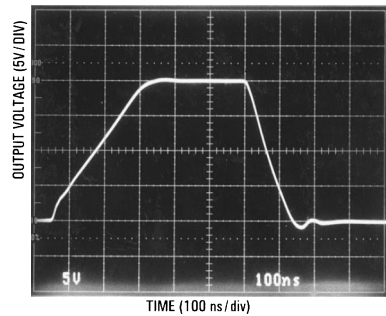
Amplifier to Amplifier Coupling



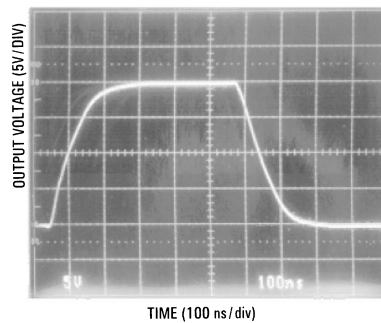
Settling Time, $V_S = \pm 15\text{V}$



Step Response, $A_v = +1$, $V_S = \pm 15\text{V}$



Step Response, $A_v = -1$, $V_S = \pm 15\text{V}$



Application Information

General

The LM6118/LM6218 are high-speed, fast-settling dual op-amps. To insure maximum performance, circuit board layout is very important. Minimizing stray capacitance at the inputs and reducing coupling between the amplifier's input and output will minimize problems.

Supply Bypassing

To assure stability, it is recommended that each power supply pin be bypassed with a 0.1 μF low inductance capacitor near the device. If high frequency spikes from digital circuits or switching supplies are present, additional filtering is recommended. To prevent these spikes from appearing at the output, R-C filtering of the supplies near the device may be necessary.

Power Dissipation

These amplifiers are specified to 20 mA output current. If accompanied with high supply voltages, relatively high power dissipation in the device will occur, resulting in high junction temperatures. In these cases the package thermal resistance must be taken into consideration. (See Note 5 under Electrical Characteristics.) For high dissipation, an N package with large areas of copper on the pc board is recommended.

Amplifier Shut Down

If one of the amplifiers is not used, it can be shut down by connecting both the inverting and non-inverting inputs to the V^- pin. This will reduce the power supply current by approximately 25%.

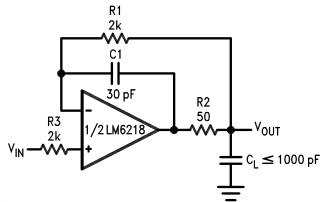
Capacitive Loading

Maximum capacitive loading is about 50 pF for a closed-loop gain of +1, before the amplifier exhibits excessive ringing and becomes unstable. A curve showing maximum capacitive loads, with different closed-loop gains, is shown in the Typical Performance Characteristics section.

To drive larger capacitive loads at low closed-loop gains, isolate the amplifier output from the capacitive load with 50 Ω . Connect a small capacitor directly from the amplifier output to the inverting input. The feedback loop is closed from the isolated output with a series resistor to the inverting input.

Application Information (Continued)

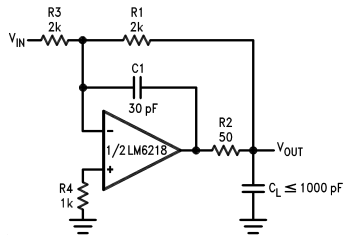
Voltage Follower



DS010254-10

For $C_L = 1000$ pF, Small signal BW = 5 MHz
20 V_{p-p} BW = 500 kHz

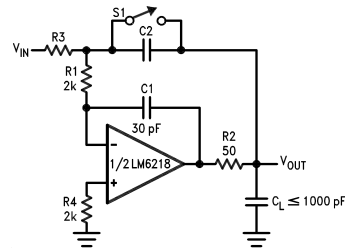
Inverter



DS010254-11

Settling time to 0.01%, 10V Step
For $C_L = 1000$ pF, settling time = 1500 ns
For $C_L = 300$ pF, settling time = 500 ns

Integrator



DS010254-12

Examples of unity gain connections for a voltage follower, inverter, and integrator driving capacitive loads up to 1000 pF are shown here. Different R1–C1 time constants and capacitive loads will have an effect on settling times.

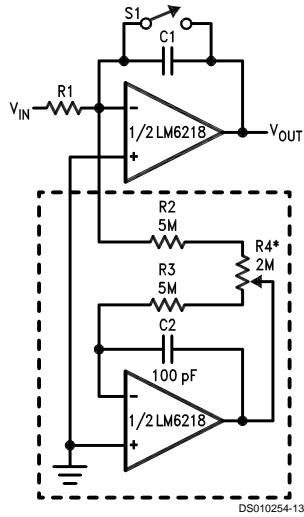
Input Bias Current Compensation

Input bias current of the first op amp can be reduced or balanced out by the second op amp. Both amplifiers are laid out in mirror image fashion and in close proximity to each other, thus both input bias currents will be nearly identical and will track with temperature. With both op amp inputs at the same potential, a second op amp can be used to convert bias current to voltage, and then back to current feeding the first op amp using large value resistors to reduce the bias current to the level of the offset current.

Examples are shown here for an inverting application, (a) where the inputs are at ground potential, and a second circuit (b) for compensating bias currents for both inputs.

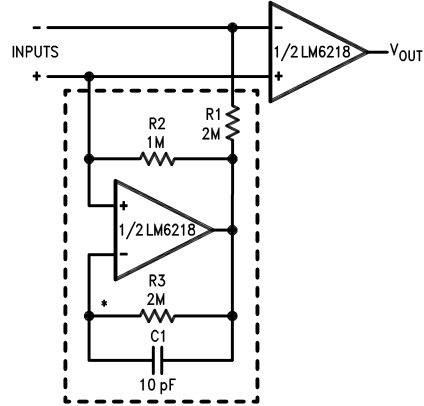
Application Information (Continued)

Bias Current Compensation



*adjust for zero integrator drift

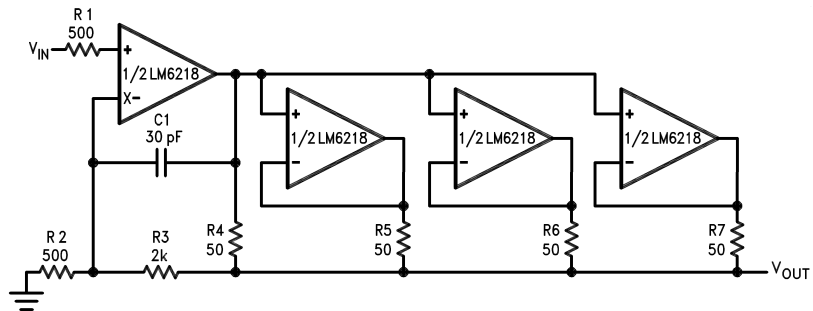
(a) Inverting Input Bias Compensation for Integrator Application



*mount resistor close to input pin to minimize stray capacitance

(b) Compensation to Both Inputs

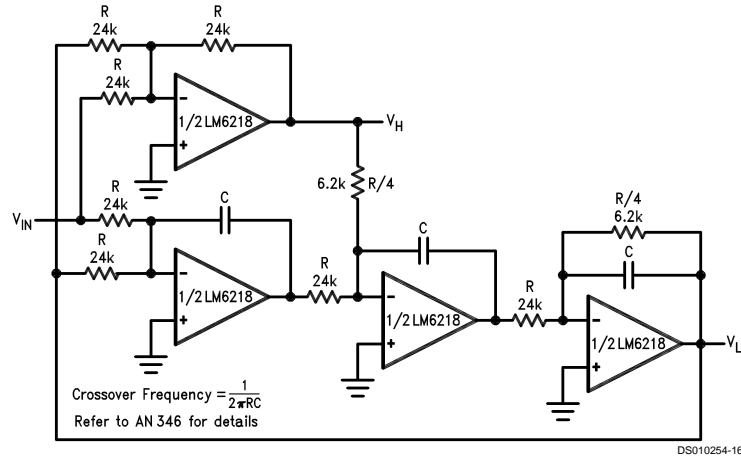
Amplifier/Parallel Buffer



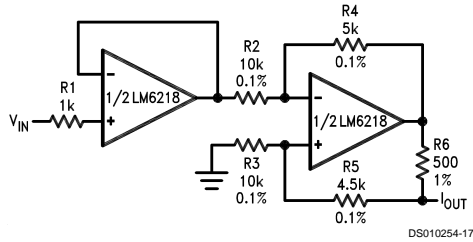
$A_v = +5$, $I_{OUT} \leq 80$ mA
 $V_S = \pm 15$ V, $C_L \leq 0.01$ μ F
 Large and small signal B.W. = 1.3 MHz (THD = 3%)

Application Information (Continued)

Constant-Voltage Crossover Network With 12 dB/Octave Slope



Bilateral Current Source



$$V_S = \pm 15V, -10 \leq V_{IN} \leq 10V$$

$$\frac{I_{OUT}}{V_{IN}} = \frac{R_1}{R_2 R_6} = \frac{1 \text{ mA}}{1V}$$

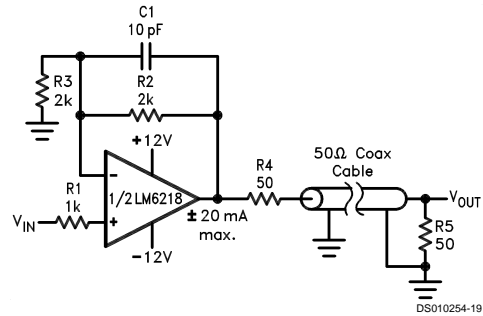
Output dynamic range = $10V - R_6 |I_{OUT}|$

$R_L = 500\Omega$, small signal BW = 6 MHz

Large signal response = 800 kHz

$$C_{out \text{ equiv.}} = \frac{R_2 + R_4}{2\pi f_0 R_2 R_6} = 32 \text{ pF} (f_0 = 15 \text{ MHz})$$

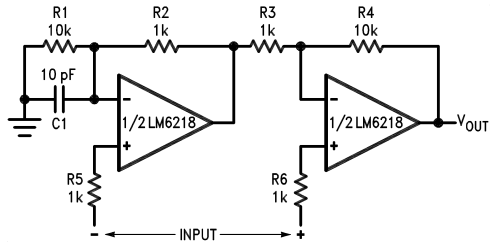
Coaxial Cable Driver



Small signal (200 mV_{p-p}) BW ≈ 5 MHz

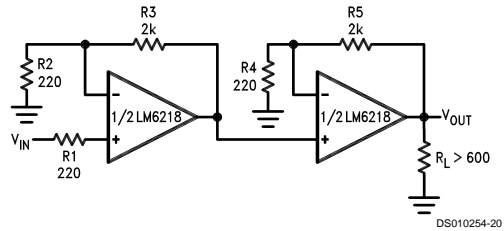
Application Information (Continued)

Instrumentation Amplifier



$A_V = 10$, $V_S = \pm 15V$, All resistors 0.01%
Small signal and large signal (20 V_{P-P}) B.W. \approx 800 kHz

150 MHz Gain-Bandwidth Amplifier



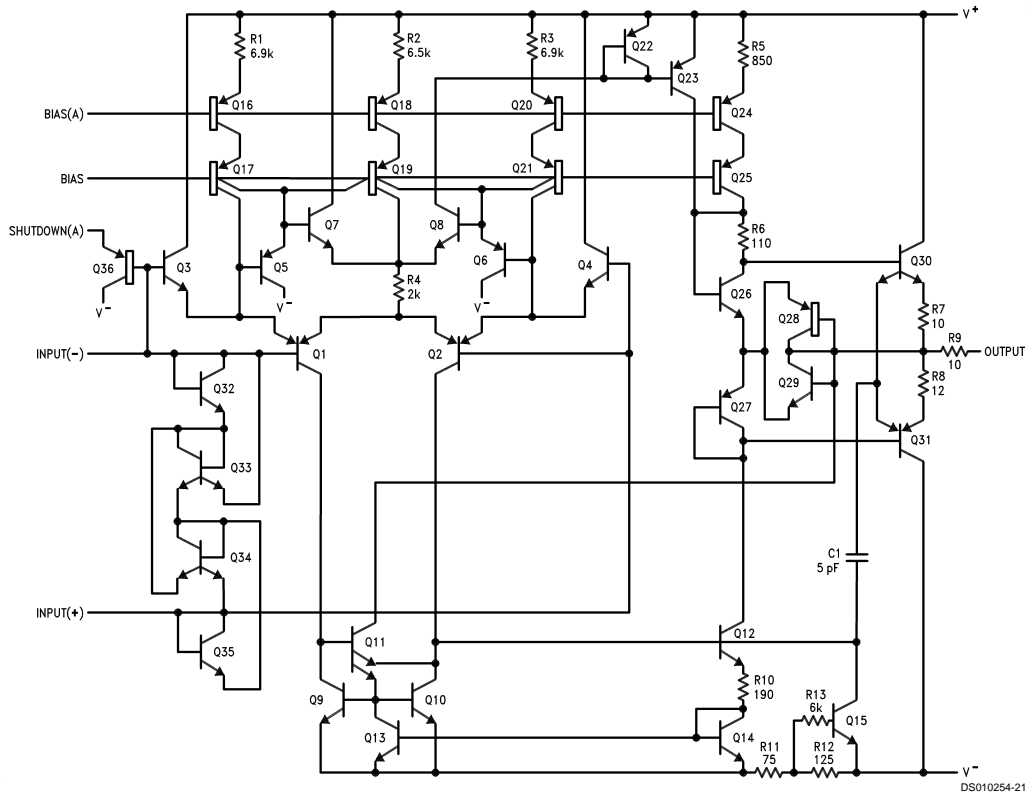
DS010254-18

$A_V = 100$, $V_S = \pm 15V$,
Small signal BW \approx 1.5 MHz
Large signal BW (20 V_{P-P}) \approx 800 kHz

DS010254-20

Schematic Diagram

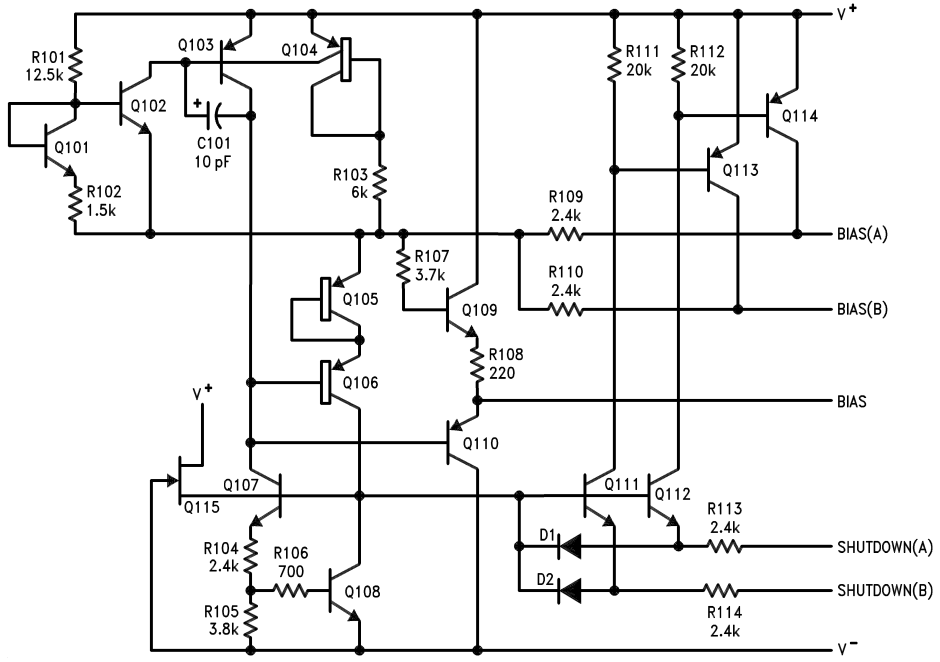
1/2 LM6118 (Op Amp A)



DS010254-21

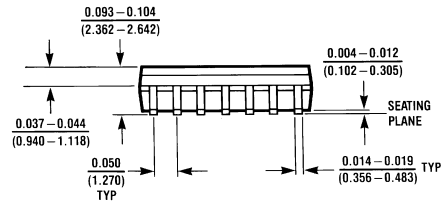
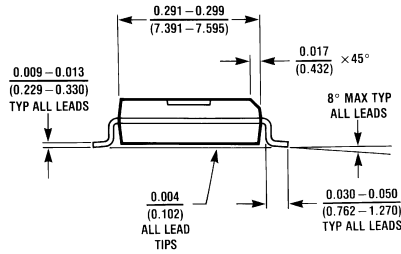
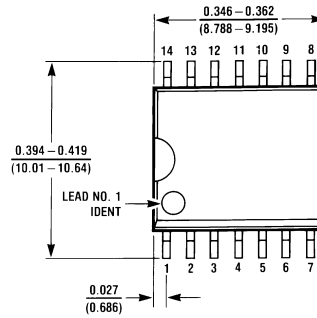
Schematic Diagram (Continued)

Bias Circuit



DS010254-22

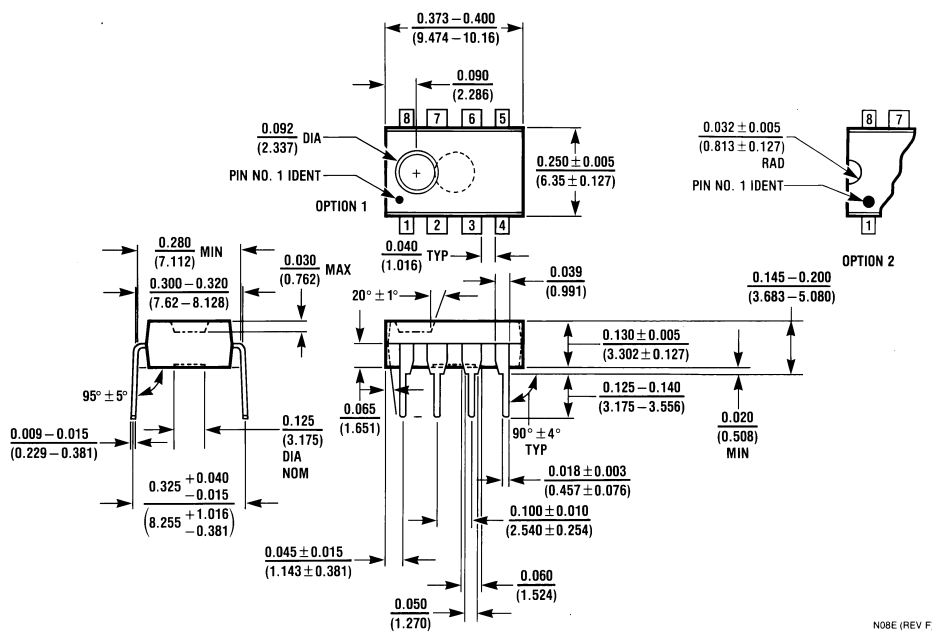
Physical Dimensions inches (millimeters) unless otherwise noted



M14B (REV D)

8-Lead Molded Small Outline Package (M)
Order Number LM6218AWM or LM6218WM
NS Package Number M14B

Physical Dimensions inches (millimeters) unless otherwise noted (Continued)




8-Lead Molded Dual-In-Line Package (N)
Order Number LM6118N, LM6218AN or LM6218N
NS Package Number NO8E

LIFE SUPPORT POLICY

NATIONAL'S PRODUCTS ARE NOT AUTHORIZED FOR USE AS CRITICAL COMPONENTS IN LIFE SUPPORT DEVICES OR SYSTEMS WITHOUT THE EXPRESS WRITTEN APPROVAL OF THE PRESIDENT AND GENERAL COUNSEL OF NATIONAL SEMICONDUCTOR CORPORATION. As used herein:

1. Life support devices or systems are devices or systems which, (a) are intended for surgical implant into the body, or (b) support or sustain life, and whose failure to perform when properly used in accordance with instructions for use provided in the labeling, can be reasonably expected to result in a significant injury to the user.
2. A critical component is any component of a life support device or system whose failure to perform can be reasonably expected to cause the failure of the life support device or system, or to affect its safety or effectiveness.

 <p>National Semiconductor Corporation Americas Tel: 1-800-272-9959 Fax: 1-800-737-7018 Email: support@nsc.com</p> <p>www.national.com</p>	<p>National Semiconductor Europe</p> <p>Fax: +49 (0) 1 80-530 85 86 Email: europe.support@nsc.com</p> <p>Deutsch Tel: +49 (0) 1 80-530 85 85 English Tel: +49 (0) 1 80-532 78 32 Français Tel: +49 (0) 1 80-532 93 58 Italiano Tel: +49 (0) 1 80-534 16 80</p>	<p>National Semiconductor Asia Pacific Customer Response Group</p> <p>Tel: 65-2544466 Fax: 65-2504466 Email: sea.support@nsc.com</p>	<p>National Semiconductor Japan Ltd.</p> <p>Tel: 81-3-5639-7560 Fax: 81-3-5639-7507</p>
--	---	---	---

National does not assume any responsibility for use of any circuitry described, no circuit patent licenses are implied and National reserves the right at any time without notice to change said circuitry and specifications.



[Design](#) [Purchasing](#) [Quality](#) [Company](#) [Jobs](#)



Product Folder

LM6118 Fast Settling Dual Operational Amplifier

Contents

- [General Description](#)
 - [Features](#)
 - [Applications](#)
 - [Datasheet](#)
 - [Package Availability, Models, Samples & Pricing](#)
 - [Design Tools](#)
-

General Description

The LM6118/LM6218 are monolithic fast-settling unity-gain-compensated dual operational amplifiers with ± 20 mA output drive capability. The PNP input stage has a typical bias current of 200 nA, and the operating supply voltage is ± 5 V to ± 20 V.

These dual op amps use slew enhancement with special mirror circuitry to achieve fast response and high gain with low total supply current.

The amplifiers are built on a junction-isolated VIP™ (Vertically Integrated PNP) process which produces fast PNP's that complement the standard NPN's.

Features

	Typical
[Solid_Square] Low offset voltage:	0.2 mV
[Solid_Square] 0.01% settling time:	400 ns
[Solid_Square] Slew rate $A_v = -1$:	140 V/ μ s
[Solid_Square] Slew rate $A_v = +1$:	75 V/ μ s
[Solid_Square] Gain bandwidth:	17 MHz
[Solid_Square] Total supply current:	5.5 mA
[Solid_Square] Output drives 50 Ohm load ($\pm 1V$)	

Applications

- D/A converters
- Fast integrators
- Active filters

Datasheet




Title	Size (in Kbytes)	Date	 View Online	 Download	 Receive via Email
LM6118/LM6218 Fast Settling Dual Operational Amplifiers	836 Kbytes	24-Jun-99	View Online	Download	Receive via Email
LM6118 Mil-Aero Datasheet MNL6118-X	131 Kbytes		View Online	Download	Receive via Email

Please use [Adobe Acrobat](#) to view PDF file(s).
If you have trouble printing, see [Printing Problems](#).

Package Availability, Models, Samples & Pricing

Part Number	Package		Status	Models		Samples & Electronic Orders	Budgetary Pricing		Std Pack Size
	Type	# pins		SPICE	IBIS		Quantity	\$US each	
LM6118J/883	Cerdip	8	Full production	LM6118.MOD	N/A	.	50+	\$24.9000	tube of 40
LM6118 MD8	die		Preliminary	LM6118.MOD	N/A	.			N/A

Design Tools

Title	Size (in Kbytes)	Date	 View Online	 Download	 Receive via Email
Amplifiers Selection Guide software for Windows	8 Kbytes	21-Jul-2000		View	

Please use [Adobe Acrobat](#) to view PDF file(s).
If you have trouble printing, see [Printing Problems](#).

[Information as of 1-Aug-2000]


Quick Search

[Parametric Search](#)

[System Diagrams](#)

[Product Tree](#)

[Home](#)

[About Languages](#) . [About the Site](#) . [About "Cookies"](#)
National is [QS 9000 Certified](#) . [Privacy/Security](#)
[Copyright](#) © National Semiconductor Corporation
 [Preferences](#) . [Feedback](#)