

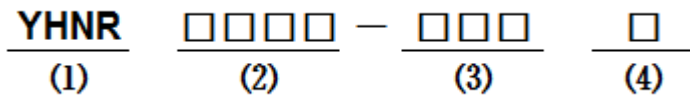
■ Features

- Low profile construction and miniature size.
- Magnetic shielded construction.
- High current saturation.
- Operating temperature:-40°C ~ +125°C.
- RoHS compliant

■ Applications

- For small DC/DC converter(HDD,DVC,DSC,PDA,LCD display etc.).
- Car navigation systems,telecom base stations.
- VR,AR,LED lighting.

■ Product Identification



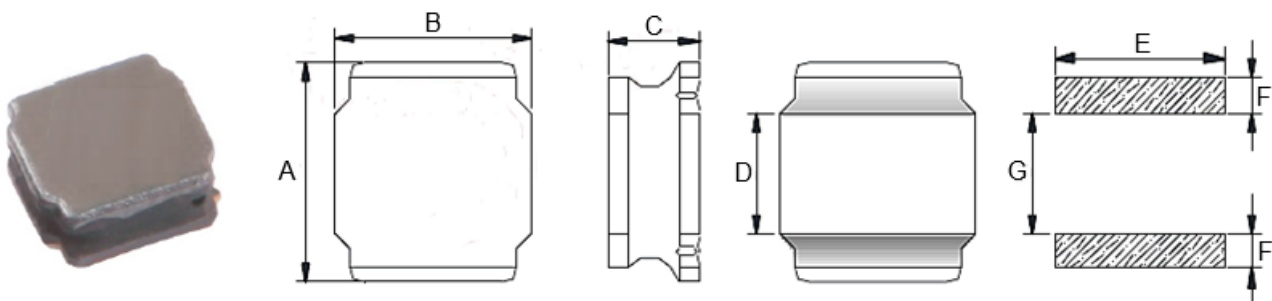
(1) : Type

(2) : Dimensions

(3) : Inductance value

(4) : Inductance Tolerance; N=±30%,M=±20%, K=±10%

■ Shapes and Dimensions (Unit: mm)



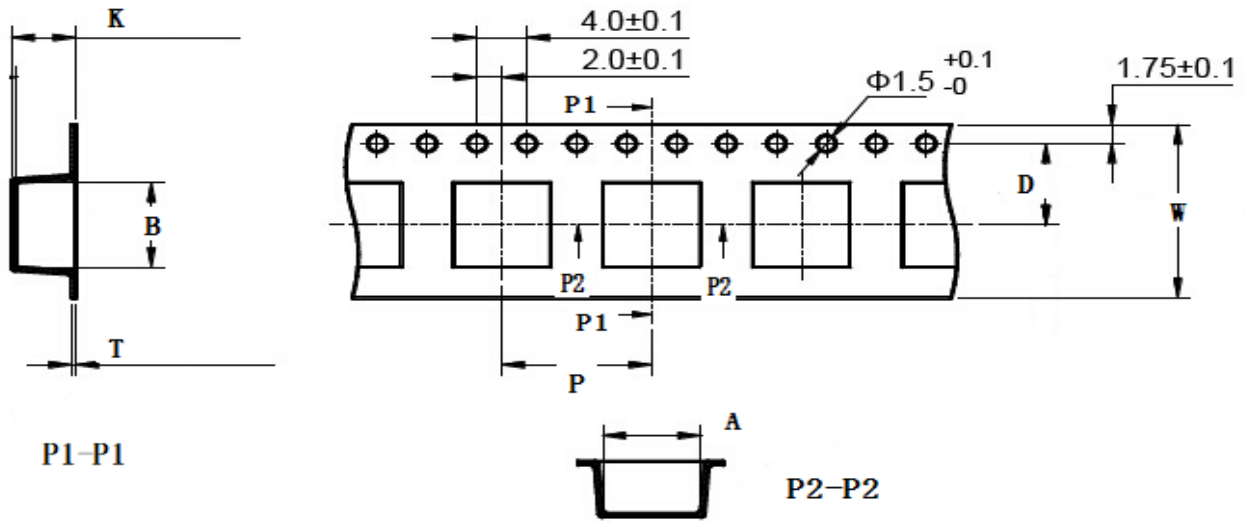
| TYPE | A | B | C Max. | D | E Ref. | F Ref. | G Ref. |
|----------|---------|---------|--------|----------|--------|--------|--------|
| YHNR2512 | 2.5±0.2 | 2.0±0.2 | 1.26 | 0.80±0.2 | 2.00 | 0.85 | 0.80 |

■ YHNR2512 Series

| Part Number | Inductance (uH) @100KHz | DC Resistance (Ω) | | Heat Rating Current (A) | Saturation Current (A) |
|---------------|----------------------------|----------------------------|-------|----------------------------|---------------------------|
| | | Typ. | Max. | | |
| YHNR2512-R24M | 0.24±20% | 0.019 | 0.023 | 4.05 | 6.50 |
| YHNR2512-R33M | 0.33±20% | 0.023 | 0.028 | 3.70 | 5.35 |
| YHNR2512-R47M | 0.47±20% | 0.029 | 0.035 | 3.45 | 4.90 |
| YHNR2512-R68M | 0.68±20% | 0.039 | 0.045 | 3.15 | 3.80 |
| YHNR2512-1R0M | 1.0±20% | 0.048 | 0.054 | 3.00 | 3.60 |
| YHNR2512-1R5M | 1.5±20% | 0.060 | 0.078 | 2.40 | 2.90 |
| YHNR2512-2R2M | 2.2±20% | 0.100 | 0.120 | 1.90 | 2.60 |
| YHNR2512-3R3M | 3.3±20% | 0.175 | 0.215 | 1.50 | 1.70 |
| YHNR2512-4R7M | 4.7±20% | 0.225 | 0.260 | 1.25 | 1.60 |
| YHNR2512-6R8M | 6.8±20% | 0.305 | 0.366 | 0.95 | 1.20 |
| YHNR2512-100M | 10±20% | 0.435 | 0.480 | 0.85 | 1.10 |

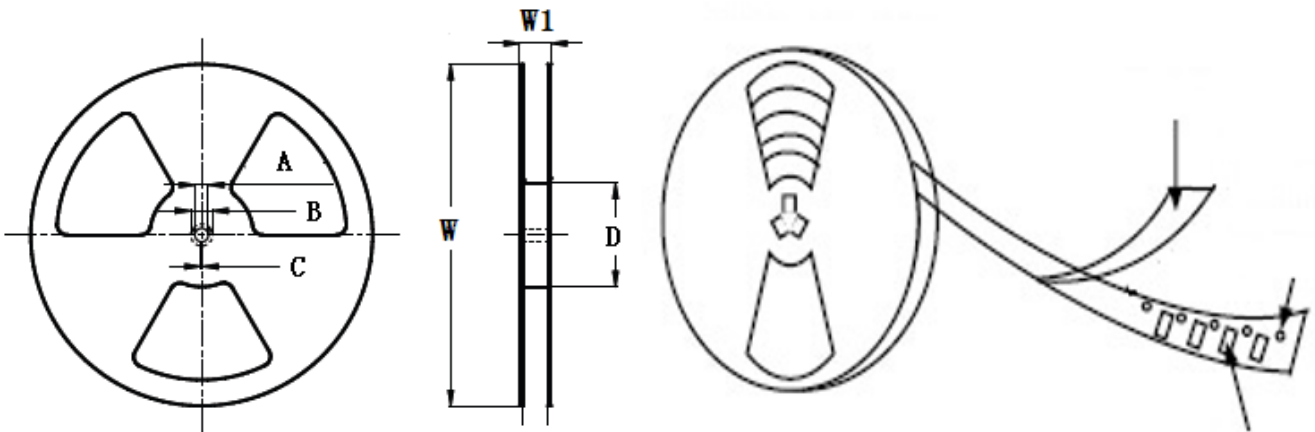
- ※ The saturation current value is the DC current value having inductance decrease down to 30%.(at 20°C)
- ※ The temperature rise current value is the DC current value having temperature increase up to 40°C. (at 20°C)
- ※ The rated current is the DC current value that satisfies both of current value saturation current value and temperature rise current value.

■ Taping Dimensions(Unit:mm)



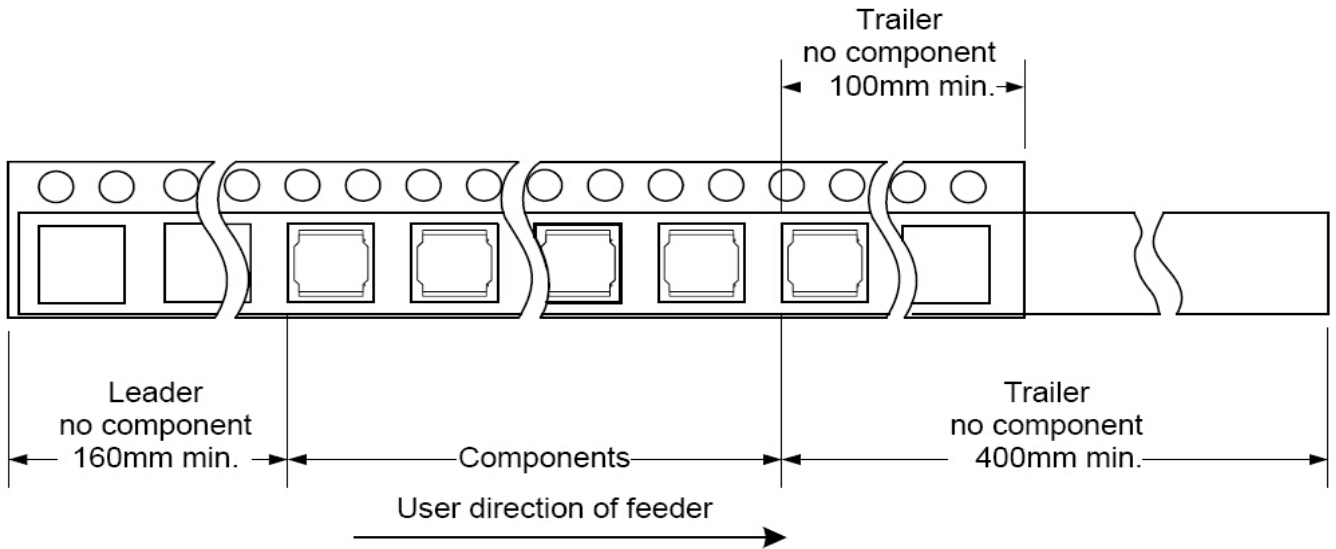
| TYPE | Chip Thickness | W | A | B | D | P | K Max | T Max | MPQ |
|----------|----------------|-----|------|------|------|------|-------|-------|------|
| YHNR2512 | 1.20 | 8.0 | 2.35 | 2.65 | 3.50 | 4.00 | 1.20 | 0.25 | 2000 |

■ Reel Dimensions(Unit:mm)

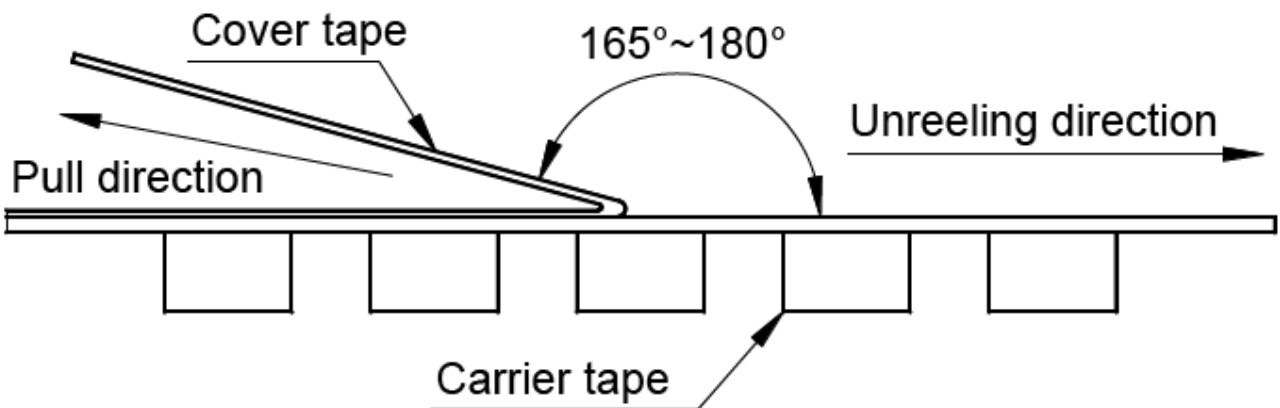


| TYPE | W | W1 | A | B | C | D |
|----------|---------|-----------|----------|----------|----------|--------|
| YHNR2512 | 178±2.0 | 8.40±1.50 | 4.3±0.20 | 5.0±0.10 | 3.0±0.10 | 58±2.0 |

Direction of rolling



Cover tape peel off condition



Cover tape peel force shall be 0.1N to 1.3N.

Reference peel speed 300±10mm/min.