

Specifications:

规格:

Voltage rating:600V AC/DC

额定电压: 600V AC/DC

Current rating:20A AC/DC

额定电流: 20A AC/DC

Withstanding voltage:1500V AC/minute

耐受电压: 1500V AC/分钟

Temperature range:-40℃~+125℃

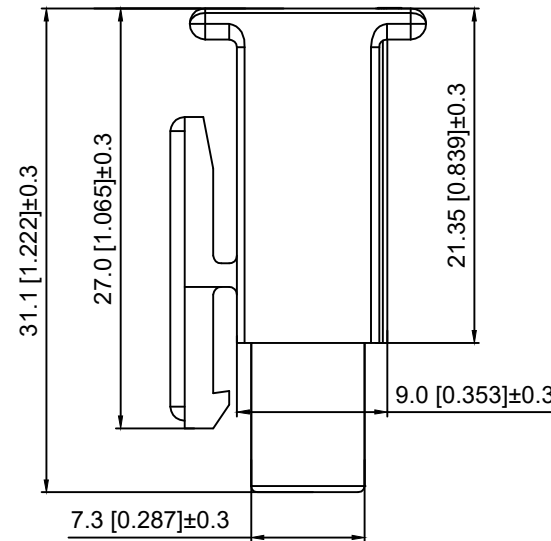
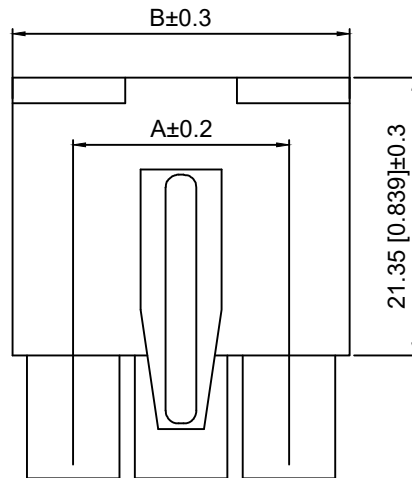
温度范围: -40℃~+125℃

Insulation resistance:1000MΩ min

绝缘电阻: 1000MΩ Min

Contact resistance:20mΩ Max

接触电阻: 20mΩ Max



K 838100 H M - XX - N2
 ① ② ③ ④ ⑤ ⑥

- 1.K: XKBTEK-Car Connector
- 2.XKB Series No
- 3.Category:H-Housing
- 4.Special No:M-Male Housing
- 5.Row No.Pin No:XX-01~04 Pin
- 6.Material:N2-PA66 UL94V-2

Poles	Dimensions(mm)	
	A	B
01	/	9.49
02	8.38	17.87
03	16.76	26.25
04	25.14	34.63

K838100HM-XX-N2	PA66	K838100HF	K838100TF
PART NO	Material	Suitable XKB Female	Suitable XKB Terminal

DSND	SCALE: N/A	MODEL TYPE: 8.38mm Automobile connector
DWN	VIEW:	PART NO.: K838100HM-XX-N2
CHKD	UNIT: mm/in	DWG NO.: X-K838100HM-XX-N2
APPD	SIZE: A4	WEIGHT SHEET REVISION 1/1 A0



XKB INDUSTRIAL PRECISION CO.,LIMITED

MARK	DESCRIPTION	DATE	REVISED	APPROVED	UNSPECIFIED TOLERANCES
Δx					ANGLAR ±5°
Δx					L ≤ 4 ±0.2
Δx					4 < L ≤ 16 ±0.3
					16 < L ≤ 63 ±0.4
					L > 63 ±0.5